



## Main

Range of product	Lexium Altivar
Product or component type	Braking resistor
Range compatibility	Lexium 15 Lexium 52 Lexium 32i Lexium 32 Lexium 05 Lexium 28 Easy Lexium 16
Product compatibility	Motion servo drive LXM16D 0.75 kW, 200...230 V, single phase Motion servo drive LXM16D 1 kW, 200...230 V, single phase Motion servo drive LXM16D 1.5 kW, 200...230 V, single phase
Ohmic value	27 Ohm
Continuous power	400 W
Cable length	6.56 ft (2 m)

## Complementary

Energy peak	10500 J 480 V 11400 J 400 V 18100 J 230 V 25500 J 115 V
Protection type	Thermal protection via the servo drive
Net Weight	3.24 lb(US) (1.47 kg)

## Environment

Ambient air temperature for operation	32...122 °F (0...50 °C)
Ambient air temperature for storage	-13...185 °F (-25...85 °C)
IP degree of protection	IP65
IP degree of protection	IP65

## Ordering and shipping details

Category	18263 - LEXIUM 32 ACCESSORIES
Discount Schedule	PC51
GTIN	00785901957348
Nbr. of units in pkg.	1
Package weight(Lbs)	3.23 lb(US) (1.47 kg)
Returnability	No
Country of origin	DE

## Packing Units

Unit Type of Package 1	PCE
Package 1 Height	1.77 in (4.5 cm)
Package 1 width	15.75 in (40 cm)
Package 1 Length	5.12 in (13 cm)

## Offer Sustainability

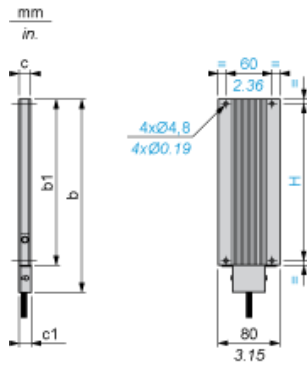
California proposition 65	WARNING: This product can expose you to chemicals including: Lead and lead compounds, which is known to the State of California to cause cancer and birth defects or other reproductive harm. For more information go to <a href="http://www.P65Warnings.ca.gov">www.P65Warnings.ca.gov</a>
REACH free of SVHC	Yes
EU RoHS Directive	Pro-active compliance (Product out of EU RoHS legal scope) <a href="#">EU RoHS Declaration</a>
Mercury free	Yes
RoHS exemption information	<a href="#">Yes</a>
China RoHS Regulation	<a href="#">China RoHS Declaration</a>
PVC free	Yes

## Contractual warranty

Warranty	18 months
----------	-----------

Braking Resistor

Dimensions



Dimensions in mm

b	b1	c	c1	H
257	216	30	–	204

Dimensions in in.

b	b1	c	c1	H
10.11	8.50	1.18	–	8.03