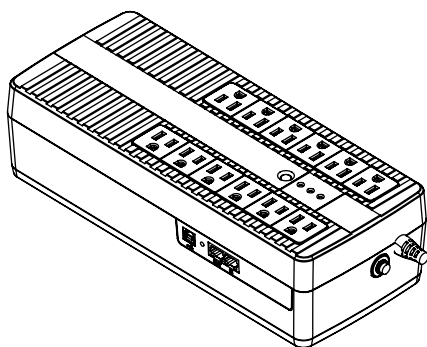


# Owner's Manual

## UPS Systems

Models:

**BC800U, INTERNET750U, INTERNET900U**  
(Series Numbers: AG-0314, AG-0317, AG-0390)



**Español 13 • Français 24**

### PROTECT YOUR INVESTMENT!

Register your product for quicker service  
and ultimate peace of mind.

You could also win an  
**ISOBAR6ULTRA** surge protector—  
a \$100 value!



[www.tripplite.com/warranty](http://www.tripplite.com/warranty)

# TRIPP-LITE



1111 W. 35th Street, Chicago, IL 60609 USA • [www.tripplite.com/support](http://www.tripplite.com/support)

Copyright © 2018 Tripp Lite. All rights reserved.

# Important Safety Instructions

## SAVE THESE INSTRUCTIONS

This manual contains instructions and warnings that should be followed during the installation, operation and storage of this product. Failure to heed these warnings may affect the warranty.

### UPS Location Warnings

- Install your UPS indoors, away from excess moisture or heat, conductive contaminants, dust or direct sunlight.
- For best performance, keep the indoor temperature between 32° F and 104° F (0° C and 40° C).
- Leave adequate space around all sides of the UPS for proper ventilation.
- Optional mounting: The UPS may be securely mounted in a horizontal or vertical position. To mount, use two screws (not provided) to secure the UPS rear keyholes to a flat surface.

### UPS Connection Warnings

- Connect your UPS directly to a properly-grounded AC power outlet. Do not plug the UPS into itself; this will damage the UPS.
- Do not modify the UPS plug and do not use an adapter that would eliminate the UPS ground connection.
- Do not use extension cords to connect the UPS to an AC outlet.
- If the UPS receives power from a motor-powered AC generator, the generator must provide clean, filtered, computer-grade output.
- The mains socket outlet that supplies the UPS should be easily accessible and located near the UPS.

### Equipment Connection Warnings



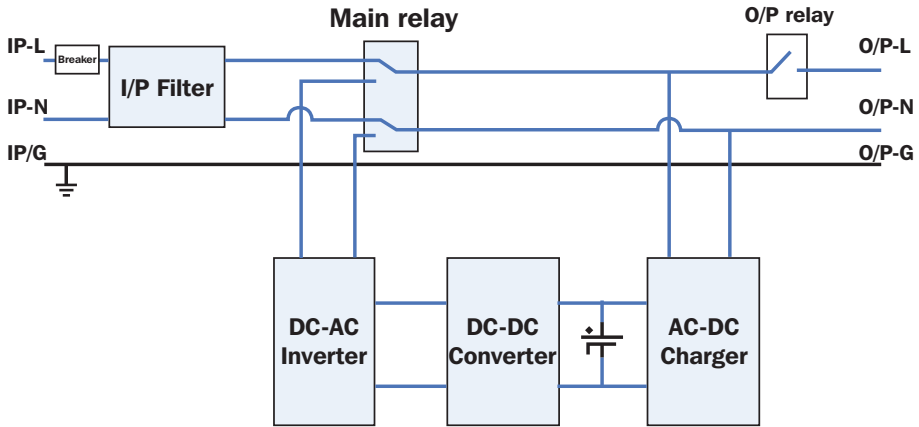
**Install in accordance with National Electrical Code standards ANSI/NFPA 70 and Canadian Electrical Code, Part I, C22.1.**

**Short-circuit backup protection and overcurrent protection is provided by the building installation.**

**To reduce the risk of fire, connect only to a circuit with a maximum 20A provided branch circuit overcurrent protection in accordance with the National Electrical Code, ANSI/NFPA 70 and the Canadian Electrical Code, Part I, C22.1. The plug on the power supply cord is intended to serve as the disconnect device. Be sure that the socket-outlet is installed near the equipment and is made easily accessible.**

**The UPS is intended for use on a TN power distribution system.**

# Important Safety Instructions



- Use of this equipment in life support applications where failure of this equipment can reasonably be expected to cause the failure of the life support equipment or to significantly affect its safety or effectiveness is not recommended.
- Do not connect surge protectors or extension cords to the output of your UPS. This might damage the UPS and may affect the surge protector and UPS warranties.
- Connect the UPS to an outlet that is adequately protected against excess currents, short circuits and earth faults as part of the building installation.

# Important Safety Instructions

## Battery Warnings

- Batteries can present a risk of electrical shock and burn from high short-circuit current. Observe proper precautions. Do not dispose of the batteries in a fire. Do not open the UPS or batteries. Do not short or bridge the battery terminals with any object. Unplug and turn off the UPS before performing battery replacement. Use tools with insulated handles. There are no user-serviceable parts inside the UPS. Battery replacement should be performed only by authorized service personnel using the same number and type of batteries (Sealed Lead-Acid). The batteries are recyclable. Refer to your local codes for disposal requirements or visit <http://www.tripplite.com/support/recycling-program> for recycling information. Tripp Lite offers a complete line of UPS System Replacement Battery Cartridges (R.B.C.). Visit Tripp Lite on the Web at <http://www.tripplite.com/products/battery-finder/> to locate the specific replacement battery for your UPS.



**CAUTION: A battery can present a risk of electrical shock and high short-circuit current. Contact with any part of a grounded battery can result in electrical shock. The following precautions should be observed when working on batteries:**

- Remove watches, rings or other metal objects.
- Use tools with insulated handles.
- Wear rubber gloves and boots.
- Do not lay tools or metal parts on top of batteries.
- Disconnect charging source and load prior to installing or maintaining the battery.
- Unplug the UPS from the AC mains receptacle. Disconnect all cables, including the equipment plugged into the UPS.

## UPS and Battery Recycling



**Pb**

Tripp Lite products use sealed lead-acid batteries, which are highly recyclable.

Call Tripp Lite at 1.773.869.1234 or visit [www.tripplite.com/support/recycling-program](http://www.tripplite.com/support/recycling-program) for more information on recycling the batteries or any other Tripp Lite product. Please refer to local codes for disposal requirements.

## Explanation of Symbols



Caution



Alternating  
Current



Surge  
Protected



Battery  
Mode



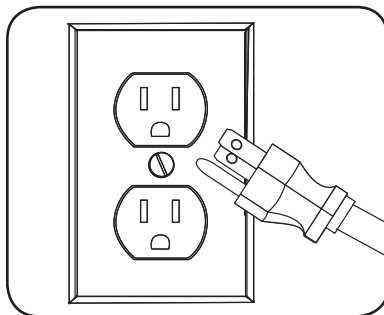
**Pb**  
Recyclable –  
Contains Lead

# Quick Installation

## STEP 1: Plug the UPS into a properly grounded outlet.

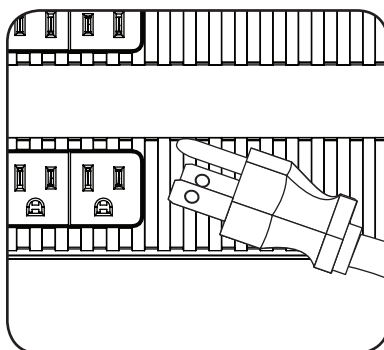
After plugging the UPS into a wall outlet, press and hold the power button next to the STATUS LEDs to turn on the UPS (See **Basic Operation**).

**Note:** The UPS will not turn on automatically in the presence of live utility power.



## STEP 2: Plug your equipment into the UPS.

There are two sets of outlets on the back of your UPS. Outlets marked SURGE ONLY / ⚡ do not provide battery backup power during power outages. Connect common desktop items like printers, scanners and other accessories not requiring battery support to these outlets. Outlets marked BATTERY BACKUP / 🔋 offer UPS battery backup support during power failures. Connect your vital computer equipment into these outlets.



Your UPS is designed to support electronic equipment only. You will overload the UPS if the total volt-amp (VA) ratings for all the equipment connected to the BATTERY BACKUP / 🔋 outlets exceed the UPS output capacity. To find your equipment's VA ratings, look on their nameplates. If the equipment is listed in amps (A), multiply the number of amps by 120 to determine VA. For example:  $1A \times 120 = 120VA$ . If you suspect you have overloaded the outlets, remove some equipment.

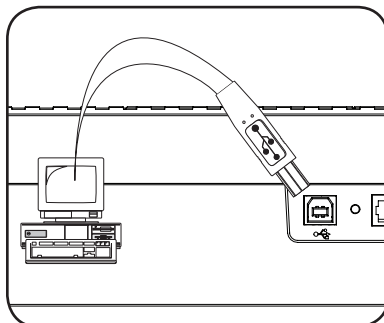
If the left-side green LED does not illuminate when the UPS is turned ON, try the following:

1. Make sure that the UPS is plugged into a live AC outlet.
2. Press and hold the power button next to the STATUS LEDs to turn on the UPS. A beep should sound when the UPS starts.
3. If the UPS still does not start, contact Tripp Lite Tech Support for assistance.

# Quick Installation

## Optional Installation

Both UPS models include USB communication ports and tel/DSL/Ethernet surge protection jacks (not compatible with PoE applications). These connections are optional, as the UPS will work properly without these connections.



# Basic Operation

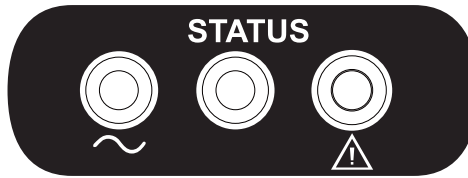
## UPS ON/OFF

- **Plug the UPS into a live, grounded outlet.**  
The SURGE ONLY outlets will begin passing power.
- **Plug equipment into the UPS.**  
You will overload the UPS if the total volt-amp (VA) ratings for all the equipment connected to the BATTERY BACKUP outlets exceed the UPS output capacity. To find your equipment's VA ratings, look on their nameplates. If the equipment is listed in amps (A), multiply the number of amps by 120 to determine VA. For example:  
 $1A \times 120 = 120VA$ .
- **Turn the UPS on.**  
Press and hold the power button next to the STATUS LEDs. The UPS alarm will beep once briefly and the left-side green LED will illuminate. The BATTERY BACKUP outlets will begin passing AC line power. The UPS will automatically recharge internal batteries as needed. Once turned on, your UPS is ready to protect connected equipment from blackouts, brownouts, overvoltages and transient surges.
- **Turn the UPS off.**  
Press and hold the power button next to the STATUS LEDs.

**Note:** UPS system will function properly upon initial startup; however, maximum runtime for the unit's battery will only be accessible after it has been charged for 24 hours.

# Basic Operation

## LED Indicators



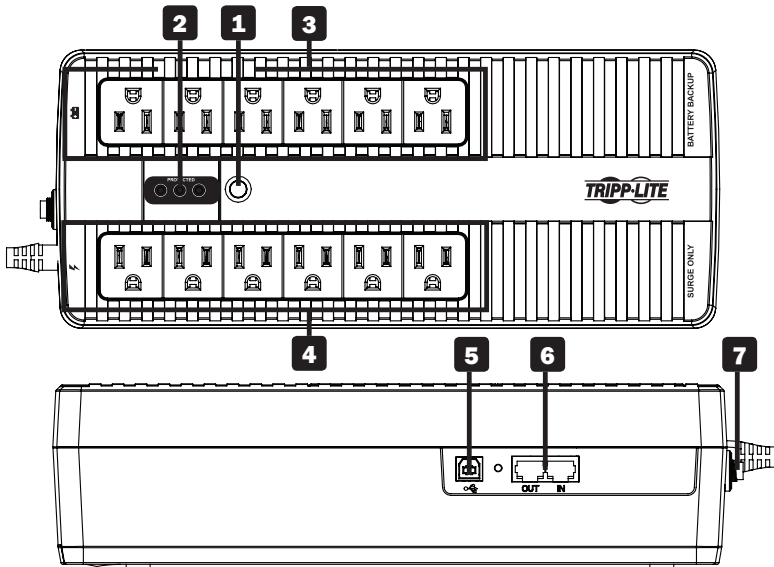
Description	Green LED 1 ~	Green LED 2	Red LED ⚠	Alarm
Line Mode	On	On	Off	Off
Battery Mode	Off	On (flashes OFF every 10 seconds)	Off	Off
Battery Low	Off	Off (flashes every 1 second)	On	Sounds every 1 second
Line Mode Overload Alert*	On	On	Off	Sounds every 0.5 second
Battery Mode Overload Alert**	Off	Flashes	Off	Sounds every 0.5 second
Line Mode Overload Fault*	Off	Off	On	Sounds continuously
Battery Mode Overload Fault**	Off	Off	Off	Off
Replace Battery	On	On	Flashes every 1 minute	Sounds every 1 minute
Fault Condition	Off	Off	On	Sounds continuously

\*Line Mode Overload Alert Condition -  $110\% \pm 10\%$ , goes to fault after 5 minutes; Overload Fault Condition -  $120\% \pm 10\%$ , goes to fault immediately.

\*\*Battery Mode Overload Alert Condition -  $110\% \pm 10\%$ , shuts down in 5 seconds; Battery Mode Overload Fault Condition -  $120\% \pm 10\%$ , shuts down immediately.

# Basic Operation

## UPS Features



- 1 ON/OFF Button:** When the UPS is on, press and release this button after one beep to turn the UPS off.
- 2 LED Indicators:** Provide current status of the UPS. For a detailed description, refer to "LED Indicators" in the **Basic Operation** section.
- 3 Battery Backup/Surge Protected Outlets:** These outlets offer battery backup support and premium surge suppression for critical devices requiring battery backup support.
- 4 Surge Protected Outlets:** These outlets offer premium surge suppression for additional devices not requiring battery support.
- 5 USB Communication Port:** This port can connect your UPS to any computer for automatic saves and unattended shutdown in the event of a power failure. Use with Tripp Lite's PowerAlert® Software (available as a FREE download at [www.tripplite.com](http://www.tripplite.com)) and the USB cable included with your UPS. This connection is optional; your UPS will work properly without this connection.  
*Note: This UPS System provides basic communication compatibility with most integrated Windows®, Macintosh® and Linux® power management applications.*
- 6 Tel/DSL/Ethernet Line Protection Jacks:** These jacks protect equipment against surges over a single phone line or network connection. Connecting your equipment to these jacks is optional; your UPS will work properly without this connection.  
*Note: Not compatible with PoE (Power over Ethernet) applications.*
- 7 Resettable Input Circuit Breaker:** Protects your electrical circuit from overcurrent draw from the combined load of equipment connected to the UPS and surge-only outlets. If this breaker trips, remove some of the load, then reset by pressing it in.



# Battery Replacement

Under normal conditions, the original battery in your UPS will last several years. Battery replacement should only be performed by qualified personnel. Refer to “Battery Warnings” in the **Important Safety Instructions** section for more information.

Models BC800U, INTERNET700U and INTERNET900U require one 12V DC, 7Ah replacement battery.

For further information about replacement compatibility and ordering, visit [www.tripplite.com/products/battery-finder](http://www.tripplite.com/products/battery-finder).



**Battery replacement must be done using the same battery type and quantity: 12V DC sealed lead-acid, 6-cell and in compliance with UL 1989.**



**CAUTION: Risk of energy hazard. Before replacing batteries, remove conductive jewelry such as chains, wristwatches and rings. High energy passing through conductive materials may cause severe burns.**

# Storage and Service

## Storage

To avoid battery drain, all connected equipment should be turned off and disconnected from the UPS. Press and hold the power button next to the STATUS LEDs and disconnect the unit from AC power. Your UPS will be completely turned off (deactivated) and will be ready for storage. If you plan on storing your UPS for an extended period, fully recharge the UPS batteries every three months. Plug the UPS into a live AC outlet, turn it on by pressing the power button next to the STATUS LEDs and allow the batteries to recharge for 4 to 6 hours. If you leave your UPS batteries discharged for a long period of time, they will suffer a permanent loss of capacity.

## Service

A variety of Extended Warranty and On-Site Service Programs are available from Tripp Lite. For more information on service, visit [www.tripplite.com/support](http://www.tripplite.com/support).

Before returning your product for service, follow these steps:

1. Review the installation and operation procedures in this manual to ensure that the service problem does not originate from a misreading of the instructions.
2. If the problem continues, do not contact or return the product to the dealer. Instead, visit [www.tripplite.com/support](http://www.tripplite.com/support).
3. If the problem requires service, visit [www.tripplite.com/support](http://www.tripplite.com/support) and click the Product Returns link. From here you can request a Returned Material Authorization (RMA) number, which is required for service. This simple on-line form will ask for your unit's model and serial numbers, along with other general purchaser information. The RMA number, along with shipping instructions, will be emailed to you. Any damages (direct, indirect, special or consequential) to the product incurred during shipment to Tripp Lite or an authorized Tripp Lite service center is not covered under warranty. Products shipped to Tripp Lite or an authorized Tripp Lite service center must have transportation charges prepaid. Mark the RMA number on the outside of the package. If the product is within its warranty period, enclose a copy of your sales receipt. Return the product for service using an insured carrier to the address given to you when you request the RMA.

# Product Registration

Visit [www.tripplite.com/warranty](http://www.tripplite.com/warranty) today to register your new Tripp Lite product. You'll be automatically entered into a drawing for a chance to win a FREE Tripp Lite product! \*

\* No purchase necessary. Void where prohibited. Some restrictions apply. See website for details.

# Regulatory Compliance

## FCC Part 68 Notice (United States Only)

If your Modem/Fax Protection causes harm to the telephone network, the telephone company may temporarily discontinue your service. If possible, they will notify you in advance. If advance notice isn't practical, you will be notified as soon as possible. You will be advised of your right to file a complaint with the FCC. Your telephone company may make changes in its facilities, equipment, operations or procedures that could affect the proper operation of your equipment. If it does, you will be given advance notice to give you an opportunity to maintain uninterrupted service. If you experience trouble with this equipment's Modem/Fax Protection, please visit [www.tripplite.com/support](http://www.tripplite.com/support) for repair/warranty information. The telephone company may ask you to disconnect this equipment from the network until the problem has been corrected or you are sure the equipment is not malfunctioning. There are no repairs that can be made by the customer to the Modem/Fax Protection. This equipment may not be used on coin service provided by the telephone company. Connection to party lines is subject to state tariffs. (Contact your state public utility commission or corporation commission for information.)

## FCC Notice, Class B

This device complies with part 15 of the FCC Rules. Operation is subject to the following two conditions: (1) This device may not cause harmful interference, and (2) this device must accept any interference received, including interference that may cause undesired operation.

**Note:** This equipment has been tested and found to comply with the limits for a Class B digital device, pursuant to part 15 of the FCC Rules. These limits are designed to provide reasonable protection against harmful interference in a residential installation. This equipment generates, uses and can radiate radio frequency energy and, if not installed and used in accordance with the instructions, may cause harmful interference to radio communications. However, there is no guarantee that interference will not occur in a particular installation. If this equipment does cause harmful interference to radio or television reception, which can be determined by turning the equipment off and on, the user is encouraged to try to correct the interference by one or more of the following measures:

- Reorient or relocate the receiving antenna.
- Increase the separation between the equipment and receiver.
- Connect the equipment into an outlet on a circuit different from that to which the receiver is connected.
- Consult the dealer or an experienced radio/TV technician for help.

Any changes or modifications to this equipment not expressly approved by Tripp Lite could void the user's authority to operate this equipment.

## Equipment Attachment Limitations (models with the Industry Canada label in Canada only)

**NOTICE:** The Industry Canada label identifies certified equipment. This certification means that the equipment meets the telecommunications network protective, operational and safety requirements as prescribed in the appropriate Terminal Equipment Technical Requirements Document(s). The Department does not guarantee the equipment will operate to the user's satisfaction. Before installing this equipment, users should ensure that it is permissible to be connected to the facilities of the local telecommunications company. The equipment must also be installed using an acceptable method of connection. The customer should be aware that the compliance with the above conditions might not prevent degradation of service in some situations.

Repairs to certified equipment should be coordinated by a representative designated by the supplier. Any repairs or alterations made by the user to this equipment, or equipment malfunctions, may give the telecommunications company cause to request the user to disconnect the equipment.

Users should ensure for their own protection that the electrical ground connections of the power utility, telephone lines and internal metallic water pipe system, if present, are connected together. This precaution may be particularly important in rural areas. Caution: Users should not attempt to make connections themselves, but should contact the appropriate electric inspection authority, or electrician, as appropriate.

# Regulatory Compliance

## Regulatory Compliance Identification Numbers

For the purpose of regulatory compliance certifications and identification, your Tripp Lite product has been assigned a unique series number. The series number can be found on the product nameplate label, along with all required approval markings and information. When requesting compliance information for this product, always refer to the series number. The series number should not be confused with the marking name or model number of the product.

Tripp Lite has a policy of continuous improvement. Product specifications are subject to change without notice.

### Note on Labeling

Two symbols are used on the label.

V~ : AC Voltage

V<sup>---</sup> : DC Voltage



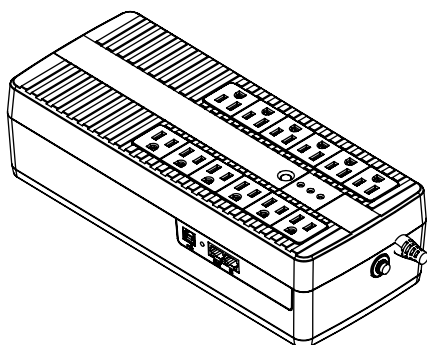
1111 W. 35th Street, Chicago, IL 60609 USA • [www.tripplite.com/support](http://www.tripplite.com/support)

# Manual del Propietario

## Sistemas UPS

Modelos:

**BC800U, INTERNET750U, INTERNET900U**  
(Números de Serie: AG-0314, AG-0317, AG-0390)



English 1 • Français 24



1111 W. 35th Street, Chicago, IL 60609 EE UU • [www.tripplite.com/support](http://www.tripplite.com/support)

Copyright © 2018 Tripp Lite. Todos los derechos reservados.

# Instrucciones de Seguridad Importantes

## CONSERVE ESTAS INSTRUCCIONES

Este manual contiene instrucciones y advertencias que deben seguirse durante la instalación, operación y almacenamiento de este producto. La omisión en la observancia de estas advertencias puede afectar la garantía.

### Advertencias para la Ubicación del UPS

- Instale su UPS en interiores, alejado de humedad o calor excesivos, contaminantes conductores, polvo o luz solar directa.
- Para mejor desempeño, mantenga la temperatura interior entre 0 °C a 40 °C [32 °F a 104 °F].
- Deje espacio adecuado alrededor de todos los lados del UPS para una ventilación adecuada.
- Instalación opcional: El UPS puede instalarse con seguridad en posición horizontal o vertical. Para instalar, utilice dos tornillos (no proporcionados) para fijar los agujeros traseros del UPS a una superficie plana.

### Advertencias para la Conexión del UPS

- Conecte su UPS directamente a un tomacorrientes de CA conectado correctamente a tierra. No enchufe el UPS en sí mismo; esto dañará al UPS.
- No modifique la clavija del UPS y no use un adaptador que pueda eliminar la conexión a tierra del UPS.
- No use cables de extensión para conectar el UPS a un tomacorrientes de CA.
- Si el UPS recibe alimentación de un generador de CA activado por motor, debe probarse que el generador proporciona una salida de grado computadora, limpia y filtrada.
- El tomacorrientes que alimenta al UPS debe ser fácilmente accesible y estar cerca del UPS.

### Advertencias para la Conexión del Equipo



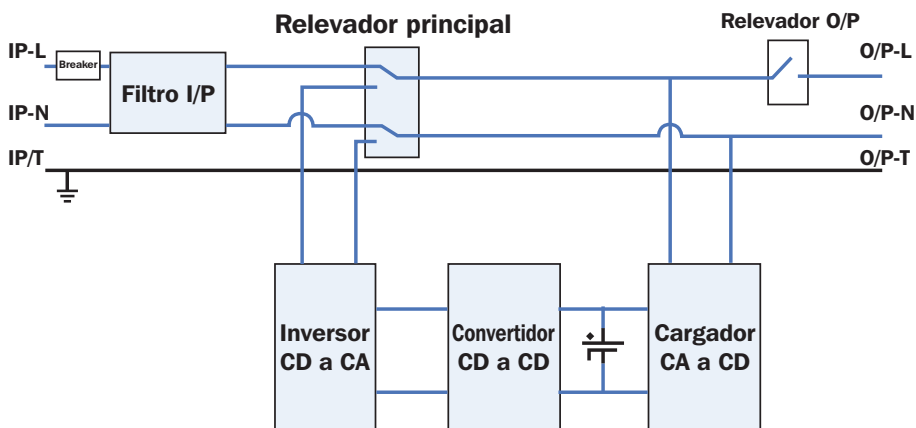
Instale de acuerdo con los estándares del Código Eléctrico Nacional ANSI / NFPA 70 y Código Eléctrico Canadiense, Parte I, C22.1.

La protección de respaldo por corto circuito y la protección contra sobrecorriente es proporcionada por la instalación del edificio.

Para reducir el riesgo de incendio, conecte solamente a un circuito con una protección de sobrecorriente de circuito de 20A máximo según el Código Eléctrico Nacional, ANSI/NFPA 70 y el Código Eléctrico Canadiense, Parte I, C22.1. La clavija en el cable de alimentación está diseñada para servir como dispositivo de desconexión. Asegúrese que el tomacorrientes esté instalado cerca del equipo y sea fácilmente accesible.

El UPS está diseñado para utilizarse en un sistema de distribución de energía TN.

# Instrucciones de Seguridad Importantes



- No se recomienda el uso de este equipo en aplicaciones de soporte de vida en donde razonablemente se pueda esperar que la falla de este equipo cause la falla del equipo de soporte de vida o afectar significativamente su seguridad o efectividad.
- No conecte supresores de sobretensiones o cables de extensión a la salida de su UPS. Esto puede dañar al UPS y afectar las garantías del supresor de sobretensiones y del UPS.
- Conecte el UPS a un tomacorrientes que esté adecuadamente protegido contra corrientes excesivas, cortocircuitos, y fallas de conexión a tierra como parte de la instalación del edificio.

# Instrucciones de Seguridad Importantes

## Advertencias de la Batería

- Debido a que las baterías presentan un peligro de choque eléctrico y quemaduras por las altas corrientes de cortocircuito, tome las precauciones adecuadas. No deseche las baterías en un incinerador. No abra las baterías. No ponga los terminales de la batería en corto o en puente con ningún objeto. Apague y desconecte el UPS antes de reemplazar la batería. Sólo debe cambiar las baterías personal técnico debidamente capacitado. Use herramientas con mangos aislados y reemplace las baterías existentes con el mismo número y tipo de baterías nuevas (plomo-ácido selladas). Las baterías del UPS son reciclables. Consulte la reglamentación local para los requisitos de disposición de desechos o visita <http://www.tripplite.com/support/recycling-program> para reciclar información. Tripp Lite ofrece una línea completa de Cartuchos de reemplazo de batería para UPS (R.B.C.). Visite Tripp Lite en la web en <http://www.tripplite.com/products/battery-finder/> para localizar la batería de reemplazo específica para su UPS.



**PRECAUCIÓN: Una batería puede presentar un riesgo de descarga eléctrica y alta corriente de cortocircuito. Hacer contacto con cualquier parte de una batería conectada a tierra puede causar una descarga eléctrica. Al trabajar con baterías deben observarse las siguientes precauciones:**

- Retire relojes, anillos u otros objetos metálicos.
- Use herramientas con mangos aislados.
- Use botas y guantes de hule.
- No coloque herramientas o partes metálicas sobre la parte superior de las baterías.
- Desconecte la fuente de carga y la carga antes de la instalación o el mantenimiento de la batería.
- Desconecte el UPS del tomacorrientes de CA de la red pública. Desconecte todos los cables, incluido el equipo conectado al UPS.

## Reciclado de la batería y el UPS



**Pb**

Los productos de Tripp Lite usan baterías selladas de plomo-ácido, que son altamente reciclables.

Llame a Tripp Lite al 1.773.869.1234 o visite [www.tripplite.com/support/recycling-program](http://www.tripplite.com/support/recycling-program) para obtener información adicional sobre el reciclado de baterías u otro producto de Tripp Lite. Para los requisitos de desecho, por favor consulte sus códigos locales.

## Explicación de los Símbolos



Precaución



Corriente  
Alternata



Protegido  
contra  
Sobretensiones



Modo de  
Respaldo por  
Batería



**Pb**

Reciclable –  
Contiene Plomo

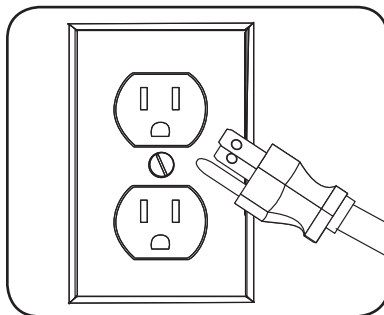


# Instalación Rápida

## Enchufe el UPS en un tomacorrientes activo conectado a tierra.

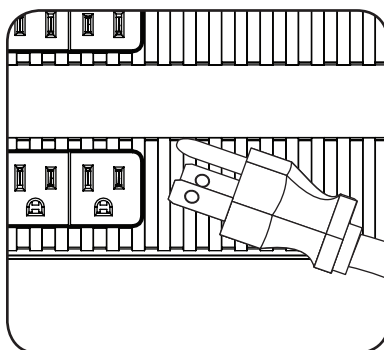
Después de enchufar el UPS en un tomacorrientes en la pared, presione y sostenga el botón de encendido próximo a los LEDs DE ESTADO para encender el UPS (Vea **Operación Básica**).

**Nota:** El UPS no encenderá automáticamente en presencia de energía activa de la red pública.



## PASO 2: Enchufe su equipo en el UPS.

Hay dos juegos de tomacorrientes en la parte posterior de su UPS. Los tomacorrientes marcados SURGE ONLY / ⚡ no proporcionan respaldo de energía por batería durante apagones. Conecte en estos tomacorrientes los equipos de escritorio comunes como impresoras, escáneres y otros accesorios que no requieran respaldo por batería. Los tomacorrientes marcados BATTERY BACKUP / 🔋 ofrecen respaldo por batería del UPS durante fallas de la energía. Conecte en estos tomacorrientes sus equipos de cómputo vitales.



Su UPS está diseñado para soportar solamente equipo electrónico. Usted sobrecargará el UPS si el valor total en volt-amperes (VA) para todo el equipo conectado a los tomacorrientes BATTERY BACKUP / 🔋 excede la capacidad de salida del UPS. Para localizar los valores de VA de su equipo, consulte las placas de identificación. Si el equipo está especificado en amperes (A), multiplique el número de amperes por 120 para determinar VA. Por ejemplo:  $1A \times 120 = 120VA$ . Si sospecha que ha sobrecargado los tomacorrientes, retire algunos equipos.

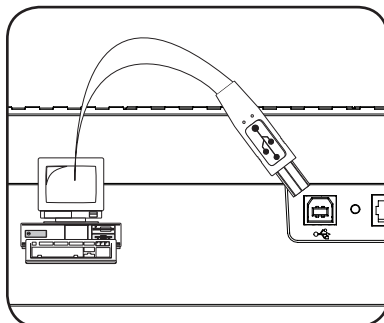
Si el LED verde de la izquierda no se ilumina cuando se enciende el UPS, intente lo siguiente:

1. Asegúrese de que el UPS esté conectado a un tomacorrientes de CA.
2. Presione y sostenga el botón de encendido junto a los LEDs DE ESTADO para encender el UPS. Sonará un bip cuando el UPS arranque.
3. Si el UPS aún no arranca, póngase en contacto con Soporte Técnico de Tripp Lite para solicitar apoyo.

# Instalación Rápida

## Instalación Opcional

Ambos modelos de UPS incluyen puertos de comunicación USB y conectores de supresión de sobretensiones Tel / DSL / Ethernet (no compatible con aplicaciones PoE). Estas conexiones son opcionales, el UPS funcionará adecuadamente sin estas conexiones.



# Operación Básica

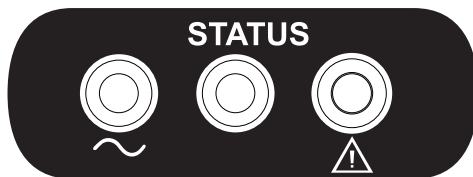
## ENCENDIDO Y APAGADO DEL UPS

- **Enchufe el UPS en un tomacorrientes activo conectado a tierra.**  
Los tomacorrientes SURGE ONLY [Únicamente protegidos contra sobretensiones] empezarán a pasar alimentación.
- **Enchufe los equipos en el UPS.**  
Usted sobrecargará el UPS si el valor total en volt-amperes (VA) para todo el equipo conectado a los tomacorrientes BATTERY BACKUP [Respaldados por batería] excede la capacidad de salida del UPS. Para localizar los valores de VA de su equipo, consulte las placas de identificación. Si el equipo está especificado en amperes (A), multiplique el número de amperes por 120 para determinar VA. Por ejemplo:  
 $1A \times 120 = 120VA$ .
- **Encienda el UPS.**  
Presione y sostenga el botón de encendido junto a los LEDs DE ESTADO. La alarma del UPS sonará brevemente una vez y se encenderá el LED verde izquierdo. Los tomacorrientes BATTERY BACKUP empezarán a pasar energía de la línea de CA. El UPS recargará automáticamente las baterías internas según sea necesario. Una vez encendido, su UPS está listo para proteger los equipos conectados contra apagones, caídas de voltaje, sobrevoltajes y sobretensiones transientes.
- **Apague el UPS.**  
Presione y sostenga por el botón de encendido junto a los LEDs DE ESTADO.

**Nota:** El sistema UPS funcionará correctamente en el arranque inicial; no obstante, la autonomía máxima para la batería de la unidad sólo será accesible después de haberse cargado por 24 horas.

# Operación Básica

## Indicadores LED



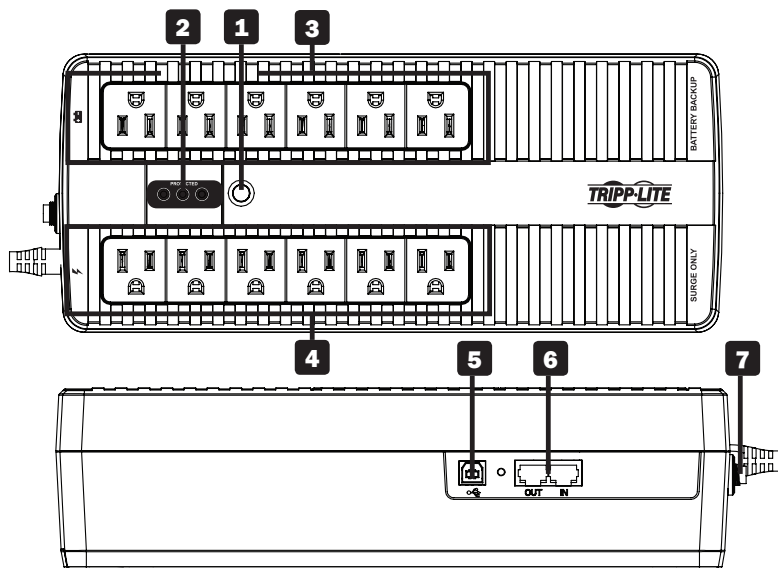
Descripción	LED Verde 1 ~	LED Verde 2	LED Rojo ⚠	Alarma
Modo en Línea	Encendido	Encendido	Apagado	Apagado
Modo de Respaldo por Batería	Apagado	Encendido (destella OFF cada 10 segundos)	Apagado	Apagado
Batería Baja	Apagado	Apagado (destella cada 1 segundo)	Encendido	Suena cada 1 segundo
Alerta por Sobrecarga en el Modo En Línea*	Encendido	Encendido	Apagado	Suena cada 0.5 segundos
Alerta por Sobrecarga en el Modo de en Respaldo por Batería**	Apagado	Destella	Apagado	Suena cada 0.5 segundos
Falla por Sobrecarga en el Modo En Línea*	Apagado	Apagado	Encendido	Suena continuamente.
Falla por Sobrecarga en el Modo de en Respaldo por Batería**	Apagado	Apagado	Apagado	Apagado
Reemplace su Batería	Encendido	Encendido	Destella cada 1 minuto	Suena cada 1 minuto
Condición de Falla	Apagado	Apagado	Encendido	Suena continuamente.

\*Condición de Alerta por Sobrecarga en el Modo en Línea -  $110\% \pm 10\%$ , se va a falla después de 5 minutos; Condición de Falla por Sobrecarga -  $120\% \pm 10\%$ , se va a falla inmediatamente.

\*\*Condición de Alerta por Sobrecarga en el Modo de Respaldo por Batería -  $110\% \pm 10\%$ , se apaga en 5 segundos; Condición de Falla por Sobrecarga en el Modo de Respaldo por Batería -  $120\% \pm 10\%$ , se apaga inmediatamente.

# Operación Básica

## Características del UPS



- 1 Botón ON/OFF [Encendido y Apagado] :** Cuando el UPS está encendido, presione y suelte este botón después de un bip para apagar el UPS.
- 2 Indicadores LED:** Proporcionan el estado de la corriente del UPS. Para una descripción detallada, consulte "Indicadores LED" en la sección de **Operación Básica**.
- 3 Tomacorrientes con Respaldo por Batería / Con Supresión de Sobretensiones:** Estos tomacorrientes ofrecen soporte de respaldo por batería y supresión de sobretensiones premium para dispositivos críticos que requieran soporte de respaldo por batería.
- 4 Tomacorrientes con Supresión de Sobretensiones:** Estos tomacorrientes ofrecen supresión de sobretensiones premium para los dispositivos adicionales que no requieran respaldo por batería.
- 5 Puerto de Comunicación USB:** Este puerto puede conectar su UPS a cualquier computadora para guardar los archivos automáticamente y apagar el equipo sin supervisión en el caso de una falla de energía. Úselo con el Software PowerAlert® de Tripp Lite (disponible como descarga gratuita en [www.tripplite.com](http://www.tripplite.com)) y el cable USB incluido con su UPS. Esta conexión es opcional, el sistema UPS funcionará correctamente sin esta conexión.

*Nota:* Este Sistema UPS provee compatibilidad de comunicación básica con la mayoría de las aplicaciones integradas de administración de energía de Windows®, Macintosh® y Linux®.

- 6 Conectores con Protección de Línea Tel / DSL / Ethernet:** Estos conectores protegen al equipo contra sobretensiones en una sola línea telefónica o conexión de red. Conectar su equipo a estos conectores es opcional, el sistema UPS funcionará correctamente sin esta conexión.

*Nota:* No es compatible con aplicaciones de PoE.

- 7 Breaker de Entrada Restaurable:** Protege su circuito eléctrico del consumo de sobrecorriente de la carga combinada del equipo conectado al UPS y los tomacorrientes que requieren solo supresión de sobretensiones. Si este breaker se dispara, retire algo de la carga y entonces reestablézcalo oprimiéndolo.

# Reemplazo de la Batería

Bajo condiciones normales, la batería original de su UPS durará varios años. El reemplazo de la batería debe llevarse a cabo únicamente por personal calificado. Para información adicional, refiérase a “Advertencias para la Batería” en las **Instrucciones de Seguridad Importantes**.

Los modelos BC800U, INTERNET700U e INTERNET900U requieren de una batería de reemplazo de 12V CD, 7Ah.

Para más información sobre compatibilidad de reemplazo y pedidos, visite [www.tripplite.com/products/battery-finder](http://www.tripplite.com/products/battery-finder).



**El reemplazo de la batería debe hacerse usando el mismo tipo y cantidad de baterías: 12V CD selladas de plomo ácido, 6 celdas y en conformidad con UL 1989.**



**PRECAUCIÓN: Riesgo de descarga. Antes de reemplazar las baterías, retírese toda la joyería conductora tal como cadenas, relojes de pulsera y anillos. La alta energía pasando a través de materiales conductores puede causar quemaduras graves.**

# Almacenamiento y Servicio

## Almacenamiento

Para evitar la descarga de la batería, deberá apagar y desconectar del UPS todo el equipo conectado. Presione el botón de encendido junto a los LEDs DE ESTADO y desconecte la unidad de la alimentación de CA. Su UPS se apagará totalmente (desactivado) y estará listo para almacenamiento. Si planea guardar el sistema UPS por un período prolongado, recargue completamente las baterías del UPS cada tres meses. Enchufe el UPS en una salida de CA activa, enciéndalo presionando el botón de alimentación junto a STATUS LEDs y permita que las baterías se recarguen de 4 a 6 horas. Si usted deja sus baterías del UPS descargadas por un período prolongado, sufrirán una pérdida permanente de capacidad.

## Servicio

Están disponibles una gran variedad de Programas de Garantía Extendida y Servicio En Sitio por parte de Tripp Lite. Para información adicional acerca del servicio, visite [www.tripplite.com/support](http://www.tripplite.com/support).

Antes de regresar su producto para servicio, siga estos pasos:

1. Revise los procedimientos de instalación y operación en este manual para asegurar que el problema de servicio no se origina por una mala lectura de las instrucciones.
2. Si el problema persiste, no se ponga en contacto ni regrese el producto al distribuidor. En vez de ello, visite [www.tripplite.com/support](http://www.tripplite.com/support).
3. Si el problema requiere servicio, visite [www.tripplite.com/support](http://www.tripplite.com/support) y haga click en la liga Product Returns. Desde aquí usted puede solicitar un número de Autorización de Devolución de Mercancía (RMA) que se requiere para servicio. Esta sencilla forma en línea le solicitará los números de modelo y serie de su unidad junto con otra información general del comprador. El número de RMA junto con las instrucciones de embarque le serán enviadas por correo electrónico. Cualquier daño (directo, indirecto, especial o consecuente) al producto incurrido durante el embarque a Tripp Lite o un Centro de Servicio Autorizado de Tripp Lite no está cubierto bajo la garantía. Los productos embarcados a Tripp Lite o un Centro de Servicio Autorizado de Tripp Lite deben tener cargos de transporte prepagados. Marque el número de RMA en el exterior del empaque. Si el producto está dentro del período de garantía, adjunte una copia de su recibo de venta. Regrese el producto para servicio usando un transportista asegurado a la dirección proporcionada a usted cuando requirió la RMA.

# Cumplimiento de las Regulaciones

## Aviso de FCC, Clase B

Este dispositivo cumple con la parte 15 de los Reglamentos de la FCC. La operación está sujeta a las siguientes dos condiciones: (1) Este dispositivo no puede causar interferencia perjudicial, y (2) este dispositivo debe aceptar cualquier interferencia recibida, incluso aquella que pudiera causar un funcionamiento no deseado.

**Nota:** este equipo ha sido evaluado, y se comprobó que está dentro de los límites para un dispositivo digital Clase B, de acuerdo con la parte 15 de los Reglamentos de FCC. Estos límites están diseñados para proporcionar una protección razonable contra interferencia perjudicial en una instalación residencial. Este equipo genera, usa y puede radiar energía de radiofrecuencia y, si no se instala y usa de acuerdo con las instrucciones, puede causar interferencia dañina a las radiocomunicaciones. Si embargo, no hay garantía que la interferencia no se presentará en una instalación en particular. Si este equipo causa interferencia dañina a la recepción de radio o televisión, que puede determinarse apagando y encendiendo el equipo, se recomienda al usuario intentar corregir la interferencia por una o más de las siguientes medidas:

- Reoriente o reubique la antena receptora.
- Aumente la separación entre el equipo y el receptor.
- Conecte el equipo a un tomacorriente de un circuito diferente al cual está conectado el receptor.
- Si necesita ayuda, consulte al distribuidor o a un técnico de radio/TV experimentado.

Cualquier cambio o modificación en este equipo que no esté aprobado expresamente por Tripp Lite puede invalidar la autoridad del usuario para operarlo.

## Números de Identificación de Conformidad Regulatoria

Para el propósito de certificaciones e identificación de conformidad con las normas, su producto Tripp Lite ha recibido un número de serie exclusivo. El número de serie se puede encontrar en la etiqueta de placa de identificación, junto con todas las marcas e información requeridas de aprobación. Al solicitar información de conformidad para este producto, refiérase siempre al número de serie. El número de serie no debe confundirse con el nombre de la marca o el número de modelo del producto.

Tripp Lite tiene una política de mejora continua. Las especificaciones del producto están sujetas a cambios sin previo aviso.

### Notas sobre la etiqueta

Dos símbolos se usan en la etiqueta:

V~ : Voltaje de CA

V<sup>==</sup> : Voltaje de CD



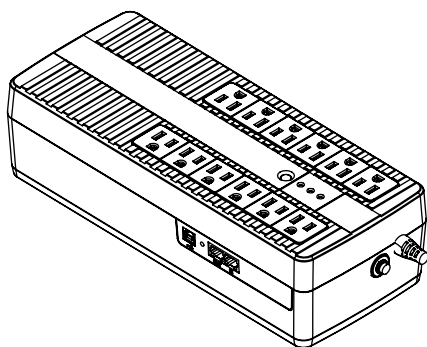
1111 W. 35th Street, Chicago, IL 60609 EE. UU. • [www.tripplite.com/support](http://www.tripplite.com/support)

# Manuel de l'utilisateur

## Onduleurs

Modèles :

**BC800U, INTERNET750U, INTERNET900U**  
(numéros de série : AG-0314, AG-0317, AG-0390)



English 1 • Español 13

**TRIPP·LITE**



1111 W. 35th Street, Chicago, IL 60609 USA • [www.tripplite.com/support](http://www.tripplite.com/support)

Droits d'auteur © 2018 Tripp Lite. Tous droits réservés.



# Consignes de sécurité importantes

## CONSERVER CES INSTRUCTIONS.

Ce manuel contient des instructions et des avertissements qui doivent être respectés pendant l'installation, l'utilisation et l'entreposage de ce produit. Tout manquement à ces avertissements peut affecter la garantie.

## Mises en garde concernant le placement de l'onduleur

- Installer l'onduleur à l'intérieur, à l'écart de l'humidité ou de la chaleur, des contaminants conducteurs, de la poussière ou de la lumière directe du soleil.
- Pour un rendement optimal, maintenir la température intérieure entre 0 °C et 40 °C (32 °F et 104 °F).
- Laisser suffisamment de place autour de l'onduleur pour avoir une bonne ventilation.
- Montage optionnel : l'onduleur peut être monté de façon sécuritaire dans une position horizontale ou verticale. Pour le montage, utiliser deux vis (non fournies) pour fixer les trous de serrure à l'arrière de l'onduleur à une surface plane.

## Avertissements liés au branchement de l'onduleur

- Brancher l'onduleur directement dans une prise de courant CA correctement mise à la masse. Ne pas brancher l'onduleur sur lui-même, cela aura pour effet d'endommager l'onduleur.
- Ne pas modifier la fiche de l'onduleur et ne pas utiliser d'adaptateur qui éliminerait la mise à la terre de l'onduleur.
- Ne pas utiliser de rallonges électriques pour brancher l'onduleur à une prise de courant CA.
- Si l'onduleur est alimenté à partir d'une génératrice CA entraînée par un moteur, la génératrice doit fournir une tension de sortie propre, filtrée et adaptée aux équipements informatiques.
- La prise de courant du secteur alimentant l'onduleur devrait être facilement accessible et située près de l'appareil.

## Avertissements liés au branchement de l'équipement



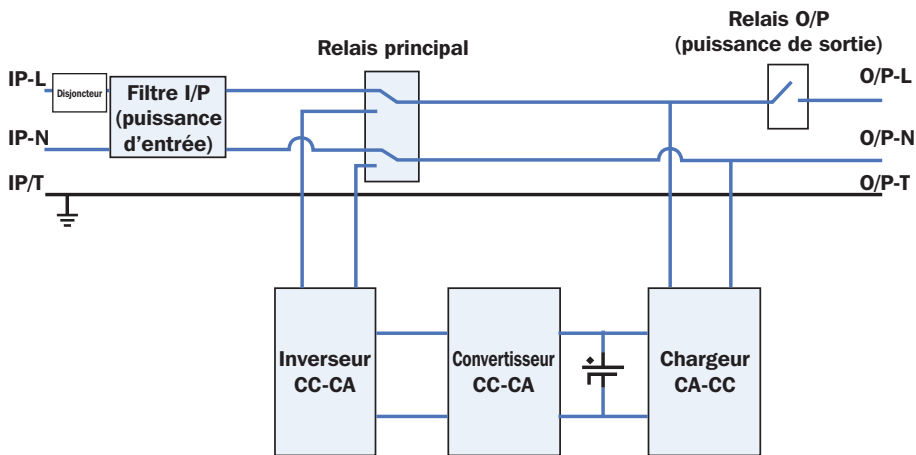
Installer conformément aux normes ANSI/NFPA 70 de la National Electrical Code et au code canadien de l'électricité, partie I, C22.1.

Une protection de secours contre les courts-circuits et une protection contre les surintensités sont fournies par les installations du bâtiment.

Pour réduire les risques d'incendie, raccorder uniquement à un circuit fourni avec une protection contre les surcharges du circuit de dérivation maximum de 20 A conformément au National Electrical Code (NEC), ANSI/NFPA 70 ou au code local de l'électricité, partie I, C22.1. La fiche sur le cordon d'alimentation est conçue pour servir de dispositif de déconnexion. S'assurer que la prise de courant est installée à proximité de l'équipement et est facilement accessible.

L'onduleur est conçu pour être utilisé sur un système de distribution de l'alimentation TN.

# Consignes de sécurité importantes



- Il n'est pas recommandé d'utiliser cet équipement pour des appareils de survie où une défaillance de cet équipement peut, selon toute vraisemblance, entraîner la défaillance de l'appareil de maintien de la vie ou affecter de façon majeure sa sécurité ou son efficacité.
- Ne pas brancher de parasurtenseurs ni de rallonges sur la sortie de l'onduleur. Cela peut endommager l'onduleur et affecter les garanties de l'onduleur et du parasurtenseur.
- Brancher le système d'alimentation sans coupure (UPS) à une prise de courant qui est dûment protégée contre les courants excessifs, les courts-circuits et les défauts à la terre, faisant partie de l'installation électrique du bâtiment.

# Consignes de sécurité importantes

## Avertissements portant sur les batteries

- Parce que les batteries présentent un risque de choc électrique et de courant de court-circuit élevé, prenez les précautions nécessaires. Ne pas jeter les batteries au feu. Ne pas ouvrir les batteries. Ne pas établir de court-circuit ou de pont entre les bornes de la batterie avec un quelconque objet. Débrancher et éteindre l'UPS avant de remplacer la batterie. Le remplacement de la batterie doit être confié à du personnel de service qualifié. Utiliser des outils ayant des poignées isolées et remplacer les batteries existantes par des batteries neuves du même numéro et du même type (batterie sans entretien). Les batteries UPS sont recyclables. Consultez les codes locaux concernant les exigences d'élimination des déchets ou visiter <http://www.tripplite.com/support/recycling-program> pour information de recycler. Tripp Lite offre une gamme complète de cartouches de batterie de remplacement de système UPS (R.B.C.). Rendez visite à Tripp Lite sur le Web à <http://www.tripplite.com/products/battery-finder/> pour trouver la batterie de remplacement spécifique à votre UPS.



**MISE EN GARDE : Une batterie peut présenter un risque de décharge électrique et un courant élevé du court-circuit. Tout contact avec une partie d'une batterie mise à la terre pourrait causer une décharge électrique. Les précautions suivantes doivent être observées lorsque l'on manipule les batteries :**

- Enlever les montres, les bagues ou tout autre objet métallique.
- Utiliser des outils ayant des poignées isolées.
- Porter des gants et des bottes en caoutchouc.
- Ne pas déposer d'outils ou de pièces métalliques sur les batteries.
- Débrancher la source de chargement et la charge avant d'installer ou d'effectuer l'entretien de la batterie.
- Débrancher l'onduleur de la prise secteur. Débrancher tous les câbles, y compris tout l'équipement branché à l'onduleur.

## Recyclage de l'onduleur et des batteries



**Pb**

Les produits Tripp Lite utilisent des batteries au plomb-acide scellées qui sont hautement recyclables.

Appeler Tripp Lite au 1 773 869-1234 ou visiter [www.tripplite.com/support/recycling-program](http://www.tripplite.com/support/recycling-program) pour de plus amples informations sur le recyclage des batteries ou tout autre produit Tripp Lite. Se reporter aux codes locaux pour les exigences en ce qui a trait à l'élimination.

## Explication des symboles



Mise en garde



Courant alternatif



Protégé contre les surtensions



Mode batterie



**Pb**

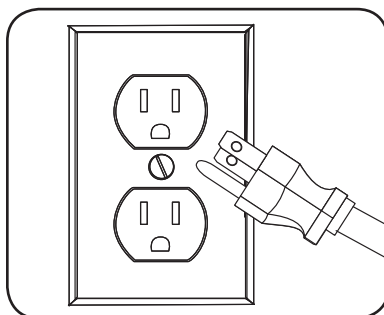
Recyclable – Contient du plomb

# Installation rapide

## ÉTAPE 1 : Brancher l'onduleur à une prise de courant correctement mise à la terre.

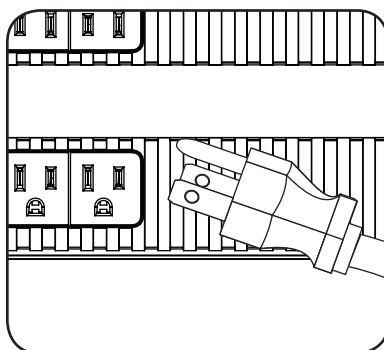
Après avoir branché l'onduleur à la prise de courant murale, appuyer sur le bouton d'alimentation pour mettre l'onduleur en marche (consulter **Fonctionnement de base**).

**Remarque** : L'onduleur ne se mettra pas automatiquement en marche à l'application de la tension du secteur.



## ÉTAPE 2 : Brancher l'équipement à l'onduleur.

Il existe deux ensembles de prises de courant à l'arrière de l'onduleur. Les prises identifiées SURGE ONLY (surtension seulement) ⚡ ne fournissent pas l'alimentation de secours des batteries lors des pannes d'électricité. Brancher les périphériques informatiques ordinaires comme les imprimantes, les numériseurs et les autres accessoires ne nécessitant pas l'alimentation de secours des batteries à ces sorties. Les prises identifiées BATTERY BACKUP (alimentation de secours à partir des batteries) 🔋 offrent le soutien des batteries de l'onduleur lors des coupures de courant. Brancher l'équipement informatique vital à ces sorties.



L'onduleur n'est conçu que pour prendre en charge l'équipement électronique. L'onduleur deviendra surchargé si la valeur VA nominale totale en volts-ampères de tous les équipements branchés aux sorties BATTERY BACKUP (batterie de secours) 🔋 excède la capacité de sortie de l'onduleur. Pour trouver la valeur VA nominale de l'équipement, consulter leur plaque signalétique. Si les équipements indiquent une valeur en ampères, multiplier le nombre en ampères par 120 pour déterminer la valeur VA. Par exemple :  $1 \text{ A} \times 120 = 120 \text{ VA}$ . En cas d'incertitude par rapport à la surcharge des prises de courant, débrancher une partie de l'équipement.

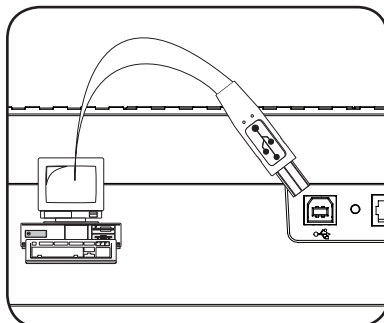
Si le voyant à DEL vert du côté gauche ne s'allume pas lorsque l'onduleur est commuté sous tension (ON), essayer ce qui suit :

1. S'assurer que l'onduleur est branché dans une sortie CA sous tension.
2. Pour mettre l'onduleur sous tension, appuyer sur le bouton d'alimentation à côté des voyants à DEL STATUS (état) et le maintenir enfoncé. Un bip devrait se faire entendre au démarrage de l'onduleur.
3. Si l'onduleur ne démarre toujours pas, communiquer avec le soutien technique de Tripp Lite pour obtenir de l'aide.

# Installation rapide

## Installation optionnelle

Les deux modèles d'onduleur incluent des ports de communication USB et des prises de protection contre les surtensions pour téléphone/DSL/Ethernet (non compatibles avec les applications nécessitant l'alimentation électrique par câble - PoE). Ces connexions sont optionnelles, car l'onduleur fonctionnera correctement sans ces connexions.



# Fonctionnement de base

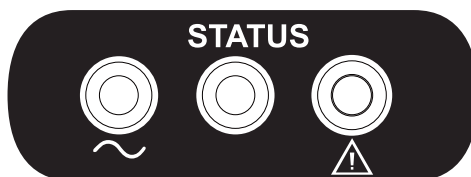
## Commutation en/hors tension (ON/OFF) de l'onduleur

- **Brancher l'onduleur dans une prise sous tension mise à la masse.**  
Les prises de courant SURGE ONLY (protégées uniquement contre les surtensions) commenceront à faire circuler du courant.
- **Brancher l'équipement à l'onduleur.**  
L'onduleur deviendra surchargé si la valeur VA nominale totale en volts-ampères de tous les équipements branchés aux sorties BATTERY BACKUP (batterie de secours) excède la capacité de sortie de l'onduleur. Pour trouver la valeur VA nominale de l'équipement, consulter leur plaque signalétique. Si les équipements indiquent une valeur en ampères, multiplier le nombre en ampères par 120 pour déterminer la valeur VA. Par exemple :  $1 \text{ A} \times 120 = 120 \text{ VA}$ .
- **Pour mettre l'onduleur sous tension.**  
Appuyer sur le bouton d'alimentation à côté des voyants à DEL STATUS (état) et le maintenir enfoncé. L'alarme de l'onduleur se fera brièvement entendre une fois et le voyant à DEL vert du côté gauche s'allumera. Les prises de courant identifiées BATTERY BACKUP (batterie de secours) commenceront à fournir de l'alimentation électrique CA. L'onduleur rechargera automatiquement les batteries internes au besoin. Une fois en marche (ON), l'onduleur est prêt à protéger l'équipement branché contre les pannes d'électricité, les chutes de tension, les surtensions et les pointes aléatoires.
- **Pour mettre l'onduleur hors tension.**  
Appuyer sur le bouton d'alimentation à côté des voyants à DEL STATUS (état) et le maintenir enfoncé.

**Remarque :** L'onduleur fonctionnera correctement lors du démarrage initial; cependant, la durée de fonctionnement maximale de la batterie de l'appareil ne sera accessible qu'après avoir été chargée pendant 24 heures.

# Fonctionnement de base

## Voyants à DEL



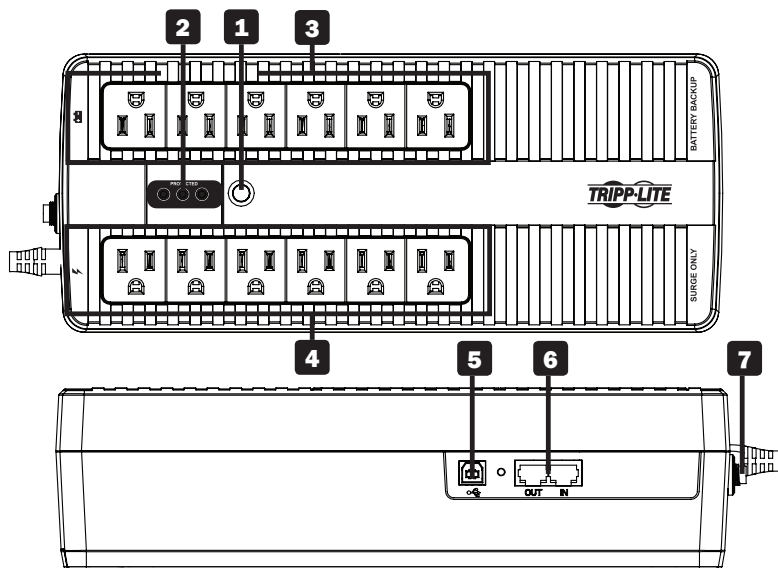
Description	Voyant à DEL vert 1 ~	Voyant à DEL vert 2	Voyant à DEL rouge ⚠	Alarme
Mode en ligne	On (sous tension)	On (sous tension)	Off (hors tension)	Off (hors tension)
Mode batterie	Off (hors tension)	On (sous tension) (clignote OFF (hors tension) toutes les 10 secondes)	Off (hors tension)	Off (hors tension)
Batterie faible	Off (hors tension)	Off (hors tension) (clignote toutes les 1 seconde)	On (sous tension)	Se fait entendre toutes les 1 seconde
Alerte de surcharge mode en ligne*	On (sous tension)	On (sous tension)	Off (hors tension)	Se fait entendre toutes les 0,5 seconde
Alerte de surcharge - mode batterie**	Off (hors tension)	Clignote	Off (hors tension)	Se fait entendre toutes les 0,5 seconde
Anomalie due à une surcharge mode en ligne*	Off (hors tension)	Off (hors tension)	On (sous tension)	Se fait entendre continuellement
Anomalie due à une surcharge - mode batterie**	Off (hors tension)	Off (hors tension)	Off (hors tension)	Off (hors tension)
Remplacer la batterie	On (sous tension)	On (sous tension)	Clignote toutes les 1 minute	Se fait entendre toutes les 1 minute
Défaillance	Off (hors tension)	Off (hors tension)	On (sous tension)	Se fait entendre continuellement

Condition d'alerte de surcharge - mode en ligne\* - 110 % ± 10 %, passe à une anomalie après 5 minutes; anomalie due à une surcharge - 120 % ± 10 %, passe à une anomalie immédiatement.

\*\*Condition d'alerte de surcharge - mode batterie - 110 % ± 10 %, se met hors tension après 5 secondes; condition d'anomalie due à une surcharge - mode batterie - 120 % ± 10 %, se met immédiatement hors tension.

# Fonctionnement de base

## Caractéristiques de l'onduleur



- 1 Bouton ON/OFF (marche/arrêt) :** Lorsque l'onduleur est sous tension, appuyer sur ce bouton puis le relâcher après le bip pour mettre l'onduleur hors tension.
- 2 Voyants à DEL :** Fournissent l'état actuel de l'onduleur. Pour une description détaillée, se référer à « Voyants à DEL » dans la section **Fonctionnement de base**.
- 3 Sorties d'alimentation de secours protégées contre les surtensions :** Ces sorties offrent l'alimentation de secours à partir des batteries et une suppression des surtensions de haute qualité pour les appareils critiques nécessitant le support de l'alimentation de secours des batteries.
- 4 Prises de courant protégées contre les surtensions :** Ces prises de courant offrent une suppression de surtension de haute qualité pour les appareils supplémentaires qui ne requièrent pas le support de l'alimentation des batteries.

- 5 Port de communication USB :** Ce port peut brancher l'onduleur à n'importe quel ordinateur pour la sauvegarde automatique et la commutation hors tension sans surveillance dans le cas d'une coupure de courant prolongée. Utiliser avec le logiciel PowerAlert® de Tripp Lite (offert GRATUITEMENT en téléchargement à [www.tripplite.com](http://www.tripplite.com)) et un câble USB inclus avec l'onduleur. Ce raccordement est facultatif, l'onduleur fonctionnera correctement sans ce branchement.

*Remarque :* Cet onduleur offre la compatibilité de base avec la plupart des applications de gestion d'alimentation intégrées Windows®, Macintosh® et Linux®.

- 6 Prises de protection de ligne Tel/DSL/Ethernet :** Ces prises protègent contre les surtensions une ligne téléphonique ou une connexion de réseau individuelle de l'équipement. Le raccordement de l'équipement à ces prises est facultatif, l'onduleur fonctionnera correctement sans ce branchement.

*Remarque :* Non compatible pour les applications nécessitant l'alimentation électrique par câble Ethernet (PoE).

- 7 Disjoncteur réarmable du circuit d'entrée :** Protège le circuit électrique des surintensités causées par la charge combinée de l'équipement connecté à l'onduleur et des prises de courant protégées uniquement contre les surtensions. Si ce disjoncteur se déclenche, enlever une partie de la charge, puis réarmer le disjoncteur en l'enfonçant en place.

# Remplacement des batteries

Dans des conditions normales, les batteries originales de l'onduleur dureront plusieurs années. Le remplacement des batteries devrait être confié uniquement à un personnel qualifié. Se référer aux « Avertissements portant sur les batteries » de la section **Consignes de sécurité importantes** pour de plus amples informations.

Les modèles BC800U, INTERNET700U et INTERNET900U nécessitent une batterie de remplacement de 12 V CC, 7 Ah.

Pour plus de renseignements relatifs à la compatibilité et pour commander, visiter [www.tripplite.com/products/battery-finder](http://www.tripplite.com/products/battery-finder).



**Le remplacement des batteries doit être effectué en utilisant le même nombre et le même type de batteries : au plomb-acide scellées de 12 V CC, 6 éléments et conformes à la norme UL 1989.**



**MISE EN GARDE : Risque de décharge électrique. Avant de remplacer les batteries, enlever les bijoux conducteurs comme les chaînes, les montres et les bagues. De la haute énergie circulant à travers des matériaux conducteurs peut causer des brûlures graves.**



# Entreposage et entretien

## Entreposage

Pour éviter la décharge des batteries, tout l'équipement branché devrait être commuté hors tension (OFF) et débranché de l'onduleur. Appuyer sur le bouton d'alimentation à côté des voyants à DEL STATUS (état) et le maintenir enfoncé, puis débrancher l'appareil de l'alimentation CA. L'onduleur sera complètement hors tension (désactivé) et prêt pour l'entreposage. Si l'onduleur est entreposé pour une période de temps prolongée, recharger complètement les batteries de l'onduleur une fois tous les trois mois. Brancher l'onduleur dans une prise CA sous tension, le mettre sous tension en appuyant sur le bouton d'alimentation à côté des voyants à DEL STATUS (état), puis permettre aux batteries de se charger pendant 4 à 6 heures. Si les batteries de l'onduleur sont laissées déchargées pendant une période de temps prolongée, cela nuira à leur capacité de façon permanente.

## Entretien

Une variété de programmes de garantie prolongée et de service d'entretien sont également offerts par Tripp Lite. Pour obtenir plus de renseignements sur le service, visiter [www.tripplite.com/support](http://www.tripplite.com/support).

Avant de retourner le produit pour la réparation, procéder comme suit :

1. Passer en revue les procédures d'installation et de fonctionnement dans ce manuel afin de vous assurer que le problème ne provient pas d'une mauvaise interprétation des instructions.
2. Si le problème persiste, ne communiquez avec votre fournisseur et ne lui renvoyez pas le produit. Visitez plutôt [www.tripplite.com/support](http://www.tripplite.com/support).
3. Si le problème nécessite une réparation, visiter [www.tripplite.com/support](http://www.tripplite.com/support) et cliquez sur le lien de retours de produit. À partir de ce point, il est possible de demander une autorisation de retour de matériel (RMA), qui est requise pour le service. Ce simple formulaire en ligne demandera le modèle de l'appareil et le numéro de série, ainsi que d'autres informations générales. Le numéro d'autorisation du retour du matériel ainsi que les instructions pour l'expédition seront envoyés par courrier électronique. Les dommages (directs, indirects, particuliers ou consécutifs) encourus par le produit lors du transport à Tripp Lite ou à un service autorisé Tripp Lite ne sont pas couverts par la garantie. Les frais liés au transport des produits expédiés à Tripp Lite ou à un centre de service autorisé Tripp Lite doivent être entièrement payés d'avance. Inscrire le numéro de RMA à l'extérieur de l'emballage. Si le produit est dans sa période de garantie, joindre une copie du reçu de caisse. Retourner le produit pour réparation par un transporteur assuré à l'adresse fournie lors de la demande de « RMA ».

# Conformité réglementaire

## Avis de la FCC, classe B

Cet appareil est conforme à la partie 15 des règles de la FCC. Son fonctionnement est sujet aux deux conditions suivantes : (1) cet appareil peut causer des interférences nuisibles et (2) cet appareil doit accepter toutes les interférences reçues, y compris les interférences qui peuvent causer un fonctionnement indésirable.

**Remarque :** Cet équipement a été testé et trouvé conforme aux restrictions applicables à un appareil numérique de classe B, conformément à la partie 15 des règlements de la FCC. Ces restrictions sont conçues pour assurer une protection raisonnable contre les perturbations nuisibles dans une installation résidentielle. Ce matériel génère, utilise et peut émettre de l'énergie radiofréquence et, s'il n'est pas installé et utilisé conformément aux instructions, peut causer des perturbations nuisibles aux communications radio. Il n'y a toutefois aucune garantie que les interférences ne se produiront pas dans une installation particulière. Si cet équipement cause des interférences nuisibles à la réception des signaux radio et de télévision, ce qui peut être déterminé en fermant et en ouvrant (ON/OFF) l'équipement, nous recommandons à l'utilisateur de tenter d'éliminer les interférences en prenant une ou plusieurs des mesures suivantes :

- Réorienter ou repositionner l'antenne réceptrice.
- Augmenter la distance entre l'équipement et le récepteur.
- Brancher l'équipement à une prise sur un circuit différent de celui sur lequel le récepteur est branché.
- Consulter le fournisseur ou un technicien radio/télévision pour obtenir de l'aide.

Tout changement ou toute modification apportés à ce matériel sans l'autorisation expresse de Tripp Lite peuvent annuler le droit de l'utilisateur d'utiliser cet équipement.

## Restrictions portant sur les accessoires de l'équipement (modèles avec une vignette d'Industrie Canada au Canada seulement)

**AVIS :** La vignette d'Industrie Canada identifie l'équipement certifié. Cette certification signifie que l'équipement répond aux exigences en matière de protection, de fonctionnement et de sécurité du réseau de télécommunications tel que prescrit dans le ou les documents des exigences techniques de l'équipement terminal approprié/appropriés. Le Ministère ne garantit pas que l'équipement fonctionnera à la satisfaction de l'utilisateur. Avant d'installer cet équipement, les utilisateurs devraient s'assurer que l'équipement est autorisé à être branché aux installations de la compagnie de télécommunications locale. De plus, l'équipement doit être installé en utilisant une méthode de connexion acceptable. Le client devrait être au courant que la conformité aux conditions qui précèdent peut ne pas prévenir la dégradation du service dans certaines situations.

Les réparations effectuées à l'équipement certifié devraient être coordonnées par un représentant désigné par le fournisseur. Toute réparation ou modification effectuée par l'utilisateur à cet équipement, ou pour corriger les pannes de l'équipement, peut avoir comme résultat que la compagnie de télécommunications demande à l'utilisateur de débrancher l'équipement.

Les utilisateurs devraient s'assurer pour leur propre protection que les connexions électriques à la terre de l'alimentation du secteur, des lignes téléphoniques et le système de tuyauterie métallique interne pour l'eau, s'il en existe, soient bien reliés ensemble. Cette précaution peut être particulièrement importante dans les secteurs ruraux. Mise en garde : Les utilisateurs ne devraient pas tenter d'effectuer les connexions eux-mêmes; ils devraient contacter l'agence d'inspection électrique ou un électricien selon le cas.

## Numéros d'identification à la conformité réglementaire

À des fins de certification de conformité réglementaire et d'identification, un numéro de série unique a été attribué au produit Tripp Lite. Le numéro de série, ainsi que toutes les marques d'homologation et les renseignements requis, se trouvent sur la plaque signalétique du produit. Lorsque des renseignements sont demandés concernant la conformité de ce produit, toujours se reporter au numéro de série. Le numéro de série ne doit pas être confondu avec le nom de la marque ou le numéro de modèle du produit.

La politique de Tripp Lite en est une d'amélioration continue. Les caractéristiques techniques sont modifiables sans préavis.

## Remarque au sujet de l'étiquetage

**Deux symboles sont utilisés sur l'étiquette :**

**V~ : tension CA**

**V--- : tension CC**





1111 W. 35th Street, Chicago, IL 60609 USA • [www.tripplite.com/support](http://www.tripplite.com/support)