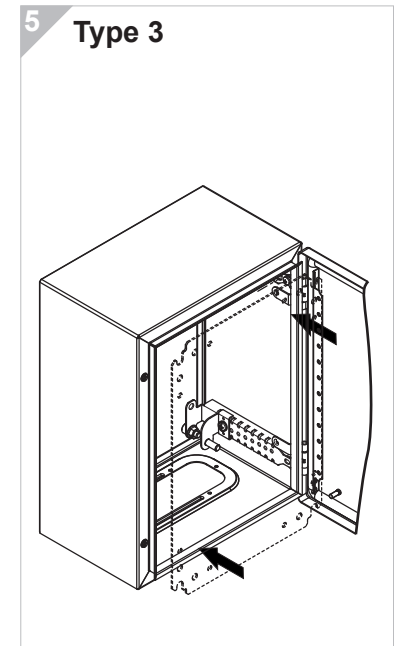
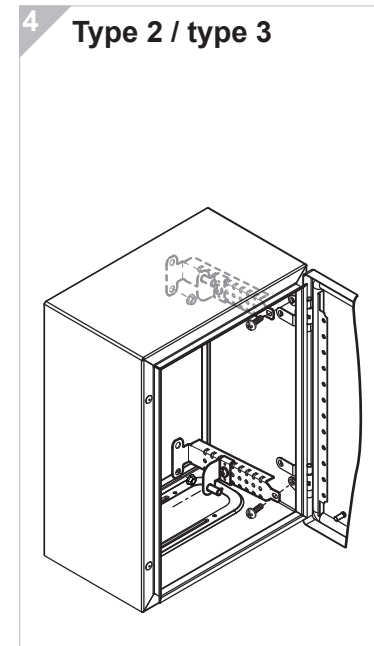
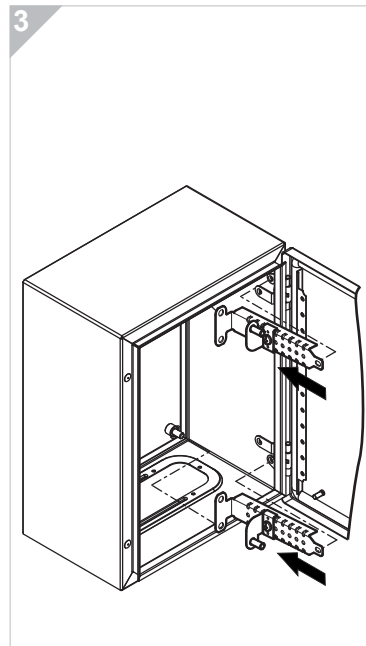
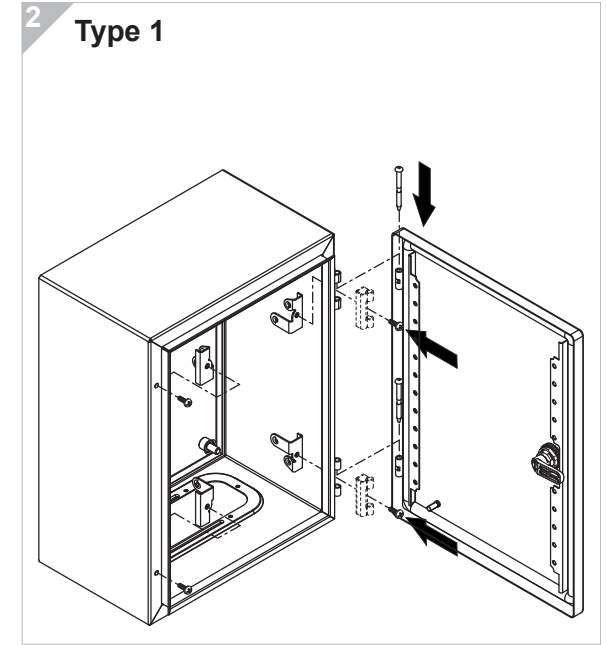
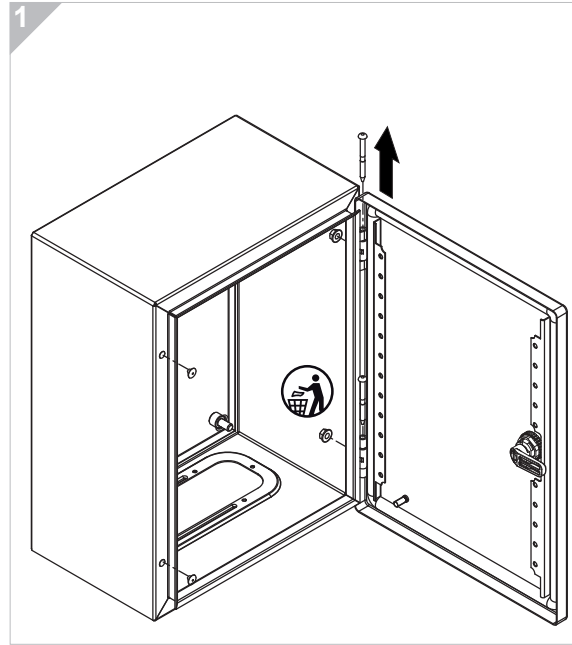
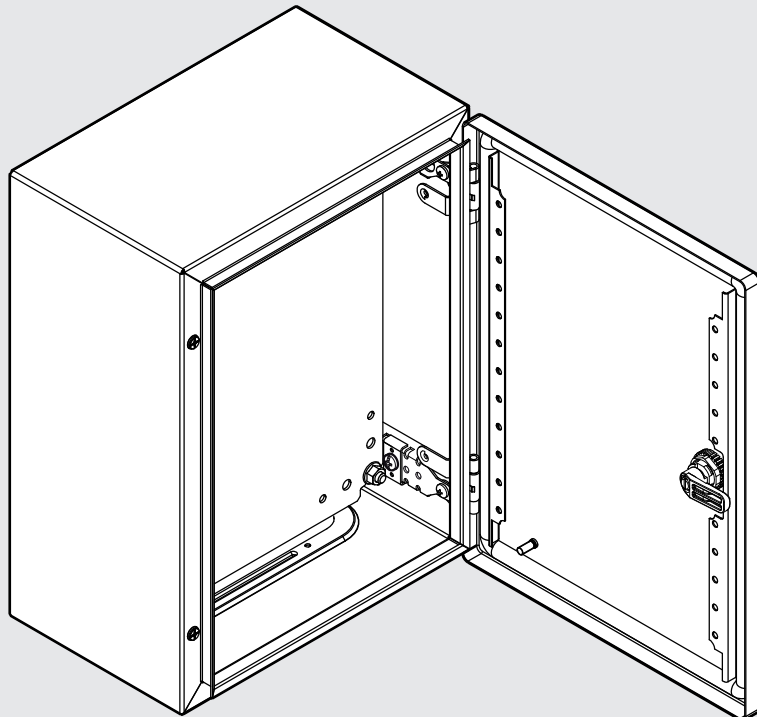




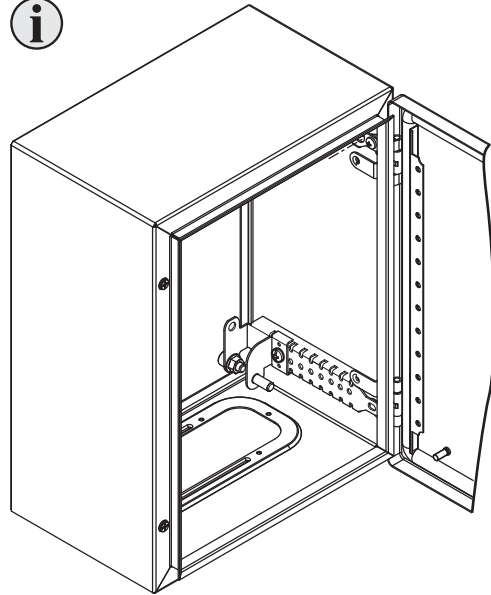



A

	type 1		type 2		type 3		Extra
M6	5'5	M8	3 Nm	3 Nm	3 Nm	3 Nm	●○M6 / T30
3 Nm	26,55 lb-in	26,55 lb-in	26,55 lb-in	26,55 lb-in	26,55 lb-in	26,55 lb-in	

Schneider
Electric



Extra
•  M6 / T30
3 Nm
26,55 lb-in

