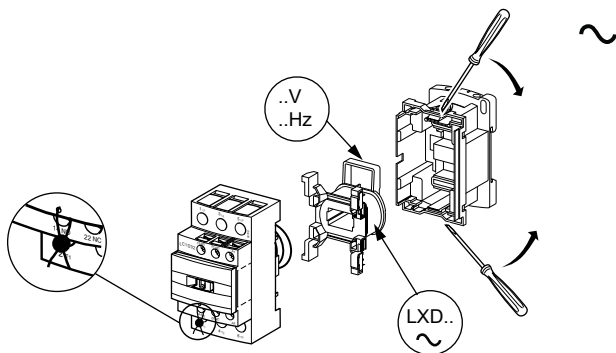


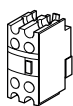
⚠ ⚠ DANGER / 危險

HAZARD OF ELECTRIC SHOCK, EXPLOSION, OR ARC FLASH
 Disconnect all power before servicing equipment.
Failure to follow these instructions will result in death or serious injury.

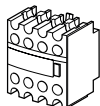
可能有触电、爆炸或者电弧灼伤的危險
 在此电力设备上进行操作时，请先断开所有电源。
 不遵循上述规定将可能导致人员伤亡。



- ~ : Alternative current coil
- : Continuous current coil
- LC : Continuous 100mA current coil
- AC/DC : Alternative and continuous current coil



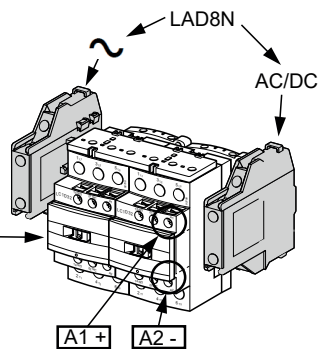
LADN
~ , — , LC, AC/DC



LADN
~ , — , AC/DC



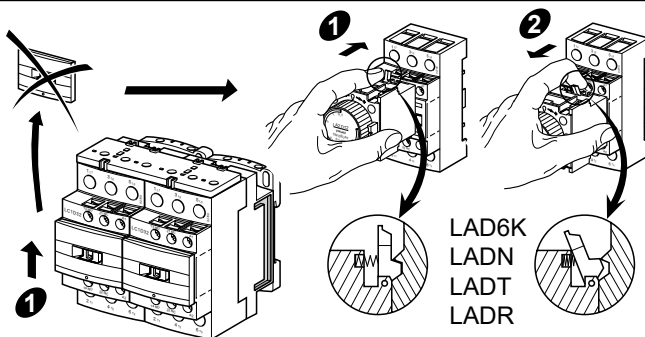
LADT
LADR
~ , — , AC/DC



AC/DC:

- Use of this product in EMC environment B may require mitigation measures to avoid unwanted disturbance
- Full open AC at 10%Us

«For Motor Starting Use Schneider Electric Overload Relay Series LR».
“电动机起动请使用施耐德电气LR系列过载继电器”



Schneider Electric Industries SAS

35, rue Joseph Monier - CS 30323

F - 92506 Rueil Malmaison Cedex

www.schneider-electric.com/contact