



# Lakemont

## Installation Manual

Model: 53997 Matte White  
50008 Matte Silver  
Fan weight  $\pm 2$  lbs: 22.9 lbs (10.4 kg)

*Hunter*  
©2020 Hunter Fan Co.  
PG3854 r012120

The ceiling fan you purchased will provide comfort and performance in your home or office for many years. This instruction manual contains complete instructions for installing and operating your fan. We are proud of our work and appreciate the opportunity to supply you with the best ceiling fan available anywhere in the world.

## We are here to help!

This Instruction Manual is designed to make installation as simple as possible. While working through this Instruction Manual, keep your smartphone or tablet nearby. We have added video links to help you through the more technical sections. If you are unfamiliar or uncomfortable with wiring, contact a qualified electrician. We also provide telephone support at 1.888.830.1326 or visit us at [HunterFan.com](http://HunterFan.com).



**READ and SAVE These Instructions**

**WARNING**



### Warning

w.1 - To reduce the risk of fire, electrical shock, or personal injury, mount fan directly from building structure and/or an outlet box marked acceptable for fan support of 70 lbs (31.8 kg) and use the mounting screws provided with the outlet box.

w.2 - To avoid possible electrical shock, before installing or servicing your fan, disconnect the power by turning off the circuit breakers to the outlet box and associated wall switch location. If you cannot lock the circuit breakers in the off position, securely fasten a prominent warning device, such as a tag, to the service panel.

w.3 - To reduce the risk of electric shock, this fan must be installed with an isolating wall control/switch.

w.4 - To reduce the risk of personal injury, do not bend the blade brackets when installing the blade brackets, balancing the blades, or cleaning the fan. Do not insert foreign objects in between rotating fan blades.

### Caution

c.1 - All wiring must be in accordance with national and local electrical codes ANSI/NFPA 70. If you are unfamiliar with wiring, use a qualified electrician.

c.2 - Use only Hunter replacement parts.

This equipment has been tested and found to comply with the limits for a Class B digital device, pursuant to part 15 of the FCC Rules. These limits are designed to provide reasonable protection against harmful interference in a residential installation. This equipment generates, uses and can radiate radio frequency energy and if not installed and used in accordance with the instructions may cause harmful interference to radio communications.

However, there is no guarantee that interference will not occur in a particular installation. If this equipment does cause harmful interference to radio or television reception, which can be determined by turning the equipment off and on, the user is encouraged to try to correct the interference by one or more of the following measures:

- Reorient or relocate the receiving antenna.
- Increase the separation between the equipment and receiver.
- Connect the equipment into an outlet on a circuit different from that to which the receiver is connected.
- Consult the dealer or an experienced radio/TV technician for help.

Caution: modifications not approved by the party responsible for compliance could void user's authority to operate the equipment.

This device complies with Part 15 of the FCC Rules. Operation is subject to the following two conditions: (1) This device may not cause harmful interference, and (2) this device must accept any interference received, including interference that may cause undesired operation.

This product conforms to UL Standard 507.



## Here are the tools you'll need to complete your installation:



Ladder



Screwdriver



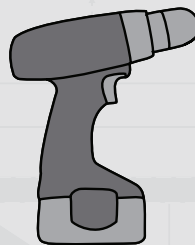
Pliers



Wire Strippers

### OPTIONAL

If mounting to a support structure, you will also need these tools.



Drill



9/64" Drill Bit

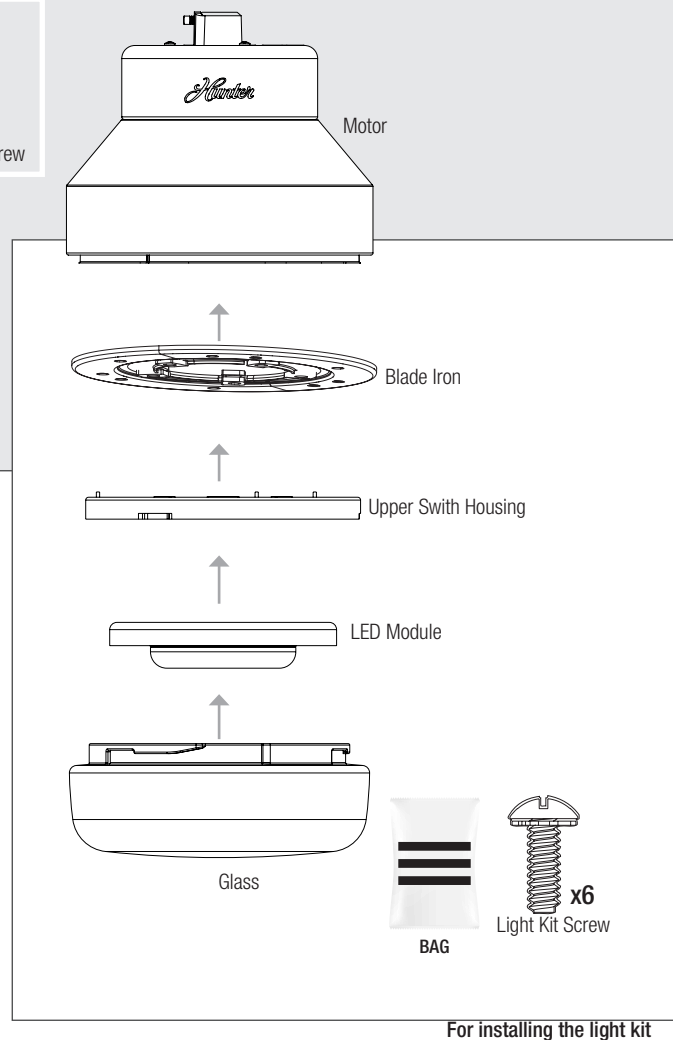
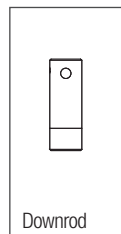
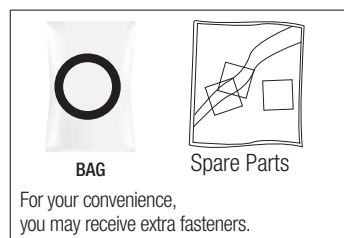
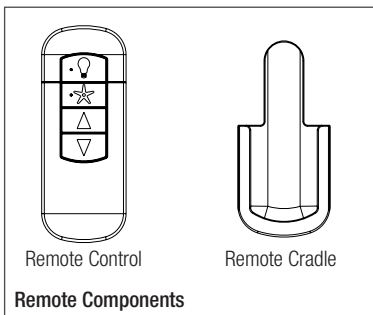
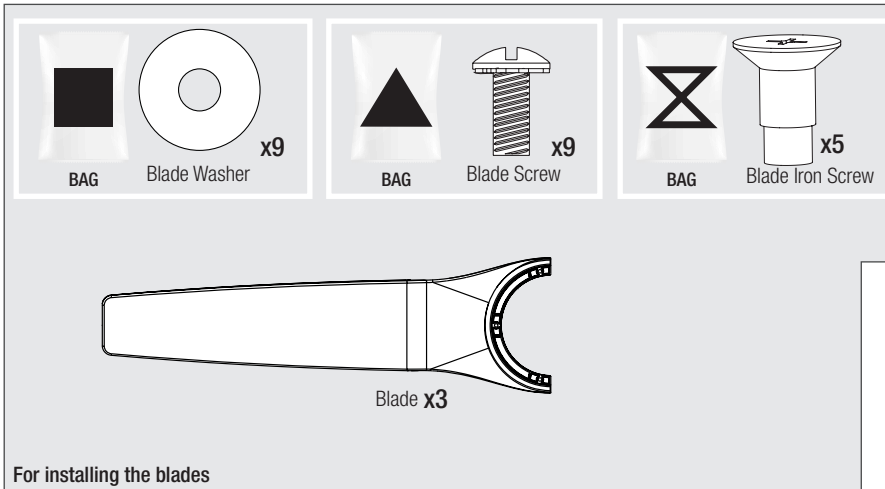
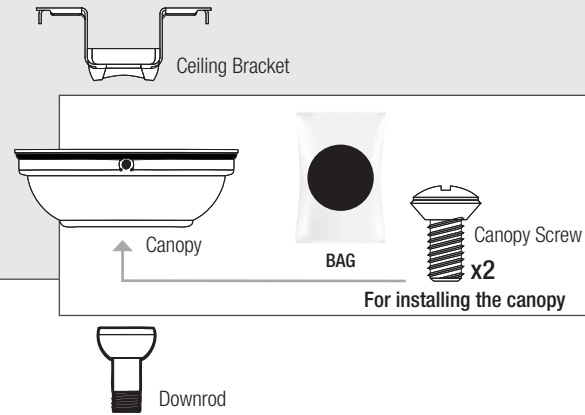
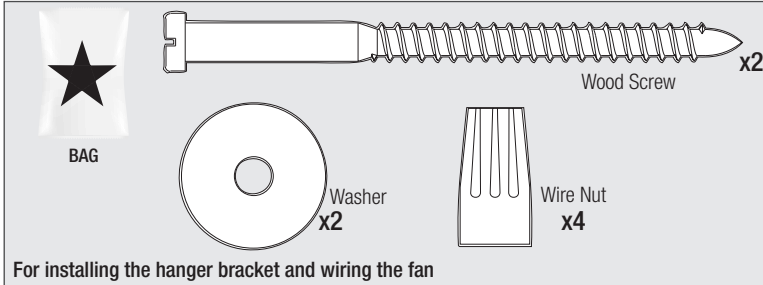
© 2020 Hunter Fan Company  
7130 Goodlett Farms Pkwy, Suite 400  
Memphis TN 38016

# Here is what comes in your box:

We recommend that you pull everything out of the box and lay it out. We have grouped the drawn components below with the hardware you'll need for those parts. The screws below are drawn to scale to make it easier to identify what piece of hardware is needed to install each component.

### Hunter Pro Tip:

Do not discard the hardware bags or mix parts from different bags. Make note of the symbol printed on each hardware bag. The symbols can be used to identify the appropriate hardware for each step.



### Note:

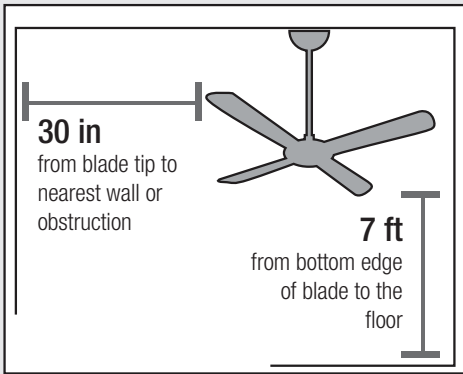
Fan style may vary.

Find a part that is missing or damaged? Don't take it back to the store. Let us make it right. Visit us at [HunterFan.com](http://HunterFan.com) or call us at 1.888.830.1326.

## Choosing the Right Installation Location

You probably bought this fan with a location in mind. Let's check below to make sure it is a good fit.

### Check the room dimensions:



### Check the outlet box:



You must be able to secure the fan to building structure or fan-rated outlet box.

### Checking the Ceiling Angle:

#### Standard Mounting



#### If you have a flat ceiling:

Hang your fan by a standard downrod. Some fans come with a shorter downrod for a Low Profile installation.



#### If you have an angled or vaulted ceiling:

1. You will need a longer downrod. (Sold separately at [HunterFan.com](http://HunterFan.com))
2. If your ceiling angle is greater than 34°, you will also need an Angled Mounting Kit. (Sold separately at [HunterFan.com](http://HunterFan.com))

## Angled Mounting

### A little more information on Angled Mounting:

For optimum performance and appearance, a longer downrod should be used with your Hunter ceiling fan when installing on high or angled ceiling. If your ceiling is angled greater than 34° you will also need an Angled Mounting Kit. Longer downrods and the Angled Mounting Kit are sold separately at [HunterFan.com](http://HunterFan.com).

#### Hunter Pro Tip:

##### Determining if you need an Angled Mounting Kit:

Fold on the dotted line. Place edge against the wall. Slide towards the ceiling.

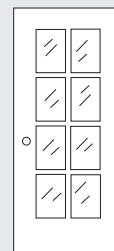
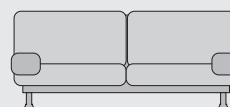
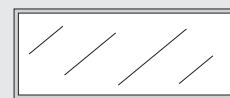
If the guide touches the wall but not the ceiling, you need an angled mounting kit.



WALL

34°

CEILING





# Installing the Ceiling Bracket

You have **two options** for installation. Pick which one works best for your location. Remove any existing bracket prior to installation. **Only use the provided Hunter ceiling bracket that came in your fan's box.**

### Hunter Pro Tip:

The machine screws are the ones that came with your outlet box.



Do this first!

**WARNING**

To avoid possible electrical shock, before installing your fan, disconnect the power by turning off the circuit breakers to the outlet box associated with the wall switch location.

## Option 1: Machine Screws

Use machine screws (provided with outlet box) and washers when securing to existing ceiling fan-rated outlet box. Make sure it is securely installed and is acceptable for fan support of 31.8 kg / 70 lb or less.

**ANGLED MOUNTING TIP**

For angled ceilings, point opening toward peak.



## Option 2: Wood Screws

Use wood screws and washers (included) when securing to support structure with approved electrical outlet box. Drill 9/64 in pilot holes in support structure to aid in securing ceiling bracket with hardware found in the ★ hardware bag.

Washer x2

★ BAG

Wood Screw x2

# Installing the Downrod

Follow below if you are using the downrod that came pre-assembled in your box. Need to install a longer or shorter downrod? Check out the guide at the end of this manual.

### Hunter Pro Tip:

The ground wire attached to the downrod is approximately 8 inches.

**STEP 1**

Remove the pre-installed setscrew so that the downrod can be inserted.

**KEEP!**

**STEP 2**

3/8 in

8 in (not to scale)

CUT & STRIP

Pass all wires to one side of horizontal bar in downrod assembly. Hand tighten the downrod (at least 4-5 full turns) until it stops. Trim the wires coming from the fan so that 8 in remain coming from the top of the downrod.

**STEP 3**

Tighten the setscrew with pliers. **DO NOT HAND TIGHTEN.**

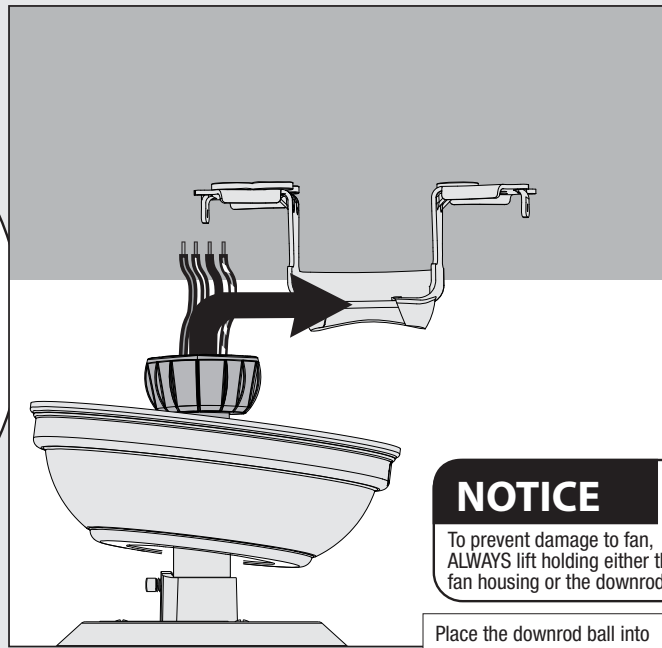
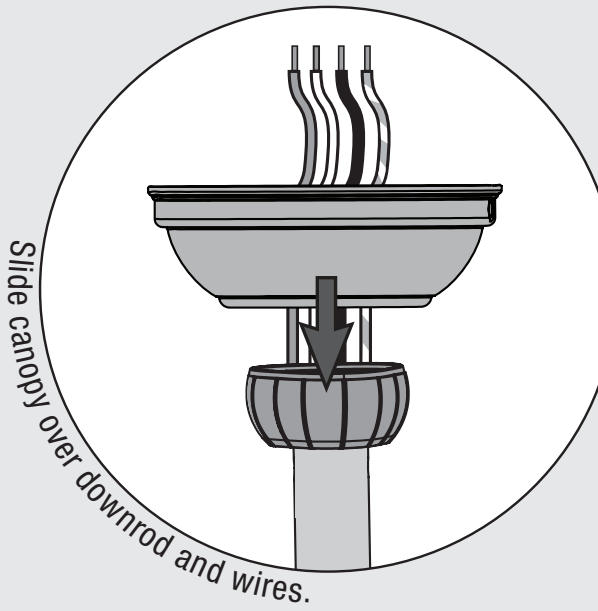
**WARNING**

**FAN FALL HAZARD**

To prevent **SERIOUS INJURY** or **DEATH**:

- ALWAYS tighten setscrew with pliers.
- DO NOT hand tighten setscrew.
- CHECK the setscrew is tight using pliers each time you change fan direction.

## Hanging the Fan



### NOTICE

To prevent damage to fan, ALWAYS lift holding either the fan housing or the downrod.

Place the downrod ball into the slot in the ceiling bracket.

# Wiring the Fan

**We know wiring is hard. Let's make it easier.**

Follow these steps to get your fan wired quickly and safely. Follow the route below that best matches your wall switch setup. If you are unfamiliar with wiring or uncomfortable doing it yourself, please contact a qualified electrician.

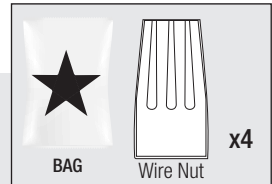
You are going to need these:

4 Wire Nuts (these are in the ★ bag)

**Hunter Pro Tip:**

**Here is how to connect the wires:**

Push the bare metal ends of the wires together and slide a wire nut over them. Then, twist the wire nut clockwise until tight. Give it a gentle pull to make sure none of the wires are loose.



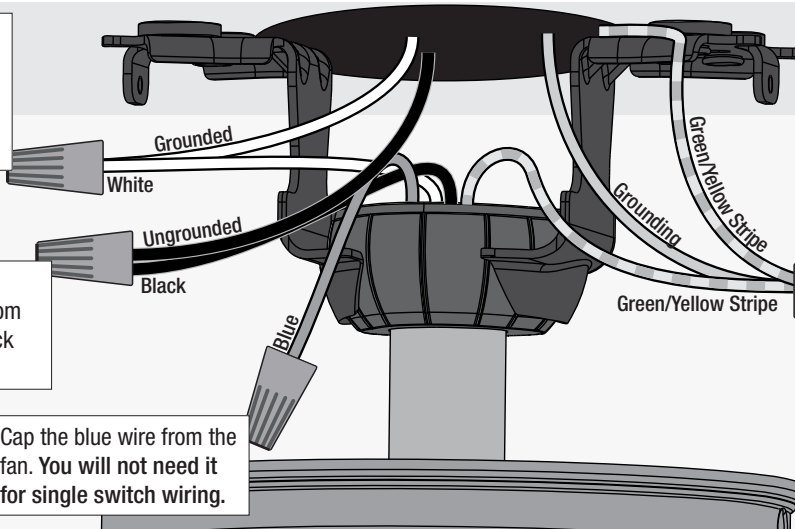
**Have a single switch?**

Follow these steps:

Connect the white (grounded) wire from the ceiling to the white wire from the fan.

Connect the black (ungrounded) wire from the ceiling to the black wire from the fan.

Cap the blue wire from the fan. You will not need it for single switch wiring.



Connect the three grounding wires (green, green/yellow stripe, or bare copper) coming from the ceiling, downrod, and hanging bracket.

**⚠ WARNING**   
All wiring must be in accordance with national and local electrical codes ANSI/NFPA 70. If you are unfamiliar with wiring or in doubt, consult a qualified electrician.

**⚠ WARNING**   
The ceiling fan must be grounded. If the ground wire for the installation site is not present, immediately **STOP** installation and consult a qualified electrician.

**Hunter Pro Tip:**

**Have extra wiring?**

Turn the wires upward and push them carefully back through the hanger bracket into the outlet box. Spread the wires apart, with the grounded wires on one side of the outlet box and the ungrounded wires on the other side of the outlet box. Make sure that the wires are still attached to the wire nuts.



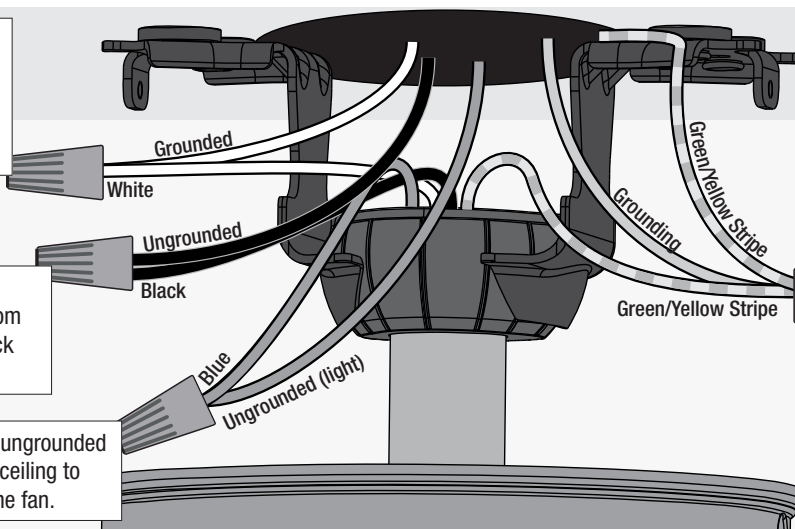
**Have dual switches?**

Follow these steps:

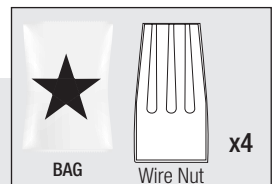
Connect the white (grounded) wire from the ceiling to the white wire from the fan.

Connect the black (ungrounded) wire from the ceiling to the black wire from the fan.

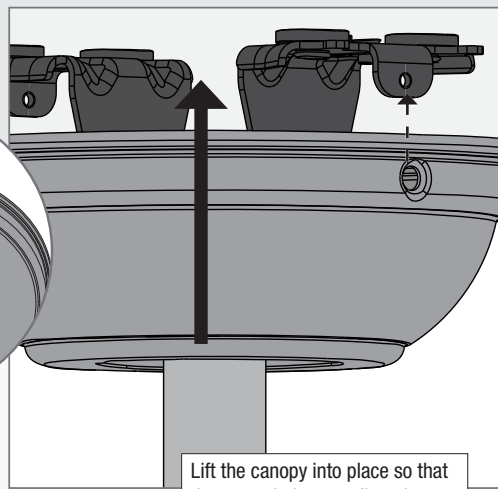
Connect the second ungrounded (light) wire from the ceiling to the blue wire from the fan.



Connect the three grounding wires (green, green/yellow stripe, or bare copper) coming from the ceiling, downrod, and hanging bracket.




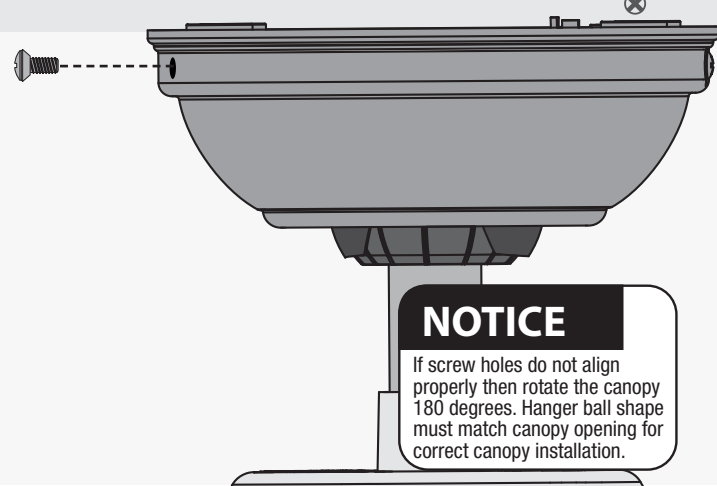
## Installing the Canopy



Fit the canopy in place as shown.

Lift the canopy into place so that the screw holes are aligned.

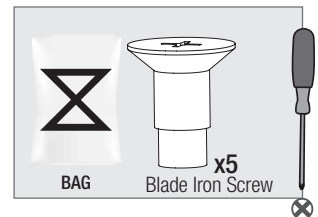
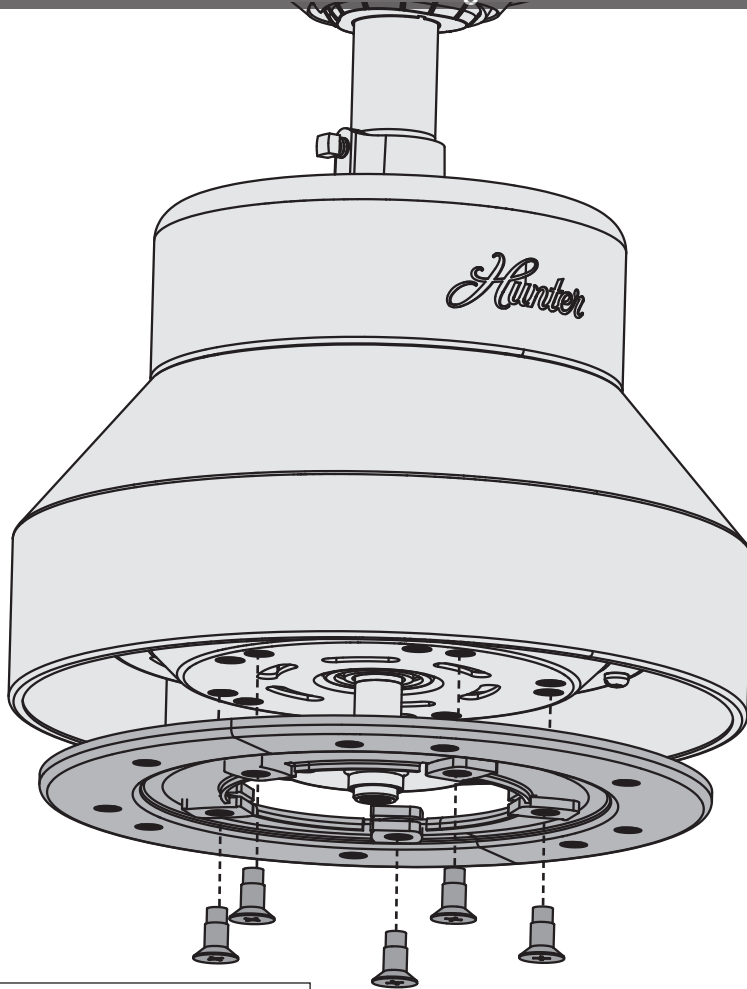
Insert the two canopy screws found in the  hardware bag.



### NOTICE

If screw holes do not align properly then rotate the canopy 180 degrees. Hanger ball shape must match canopy opening for correct canopy installation.

## Installing the Blade Iron



There are five pairs of holes in the fan. Lift the blade iron into position. Align the grommeted holes in the blade iron with the holes on the fan. It does not matter which hole you choose. Install the blade iron screws found in the hardware bag to secure the blade iron to the fan.

### IMPORTANT

NOTE: Make sure blade iron is installed to the right holes. Installing it incorrectly could result in your fan not functioning.

## Installing the Blades:

Slide the blades into position. Ensure that the blades do not overlap one another. Align the holes in the blade arms with the holes on the fan.

**Repeat x3**

Put the blade washers found in the ■ hardware bag onto the blade screws found in the ▲ hardware bag. Then install the blade screws to secure each blade to the fan.

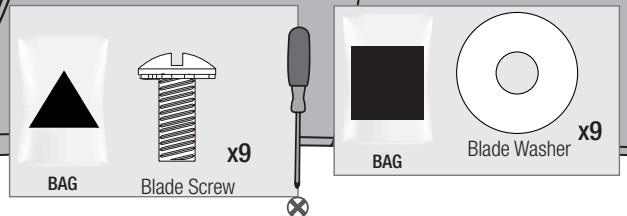
**Repeat x3**

**Note:**

Fan style may vary.

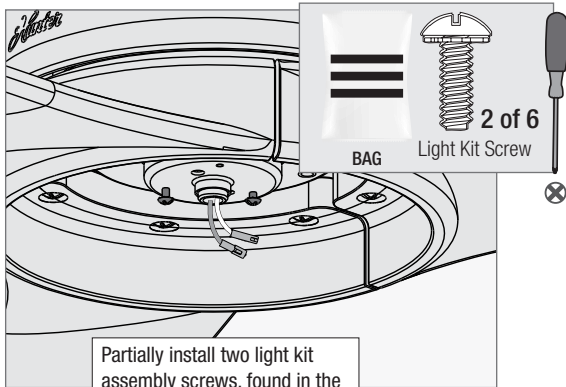
**▲ IMPORTANT**

NOTE: Follow the instructions on the blade. Installing it incorrectly could result in your fan not functioning. Remove instructional label after installation.

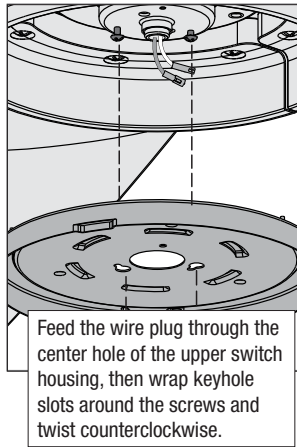




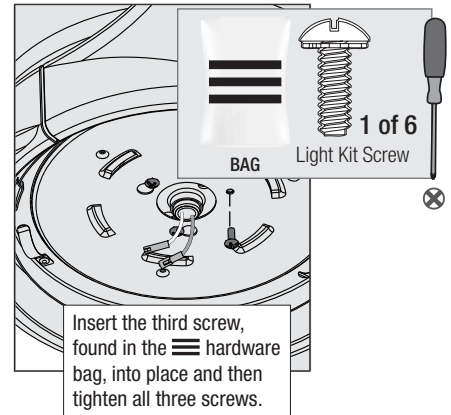
## Assembling the Light Kit



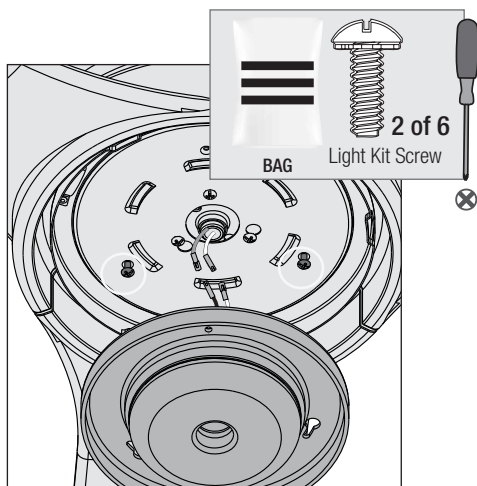
Partially install two light kit assembly screws, found in the hardware bag, halfway into the motor housing as shown. It does not matter which two screw holes you choose.



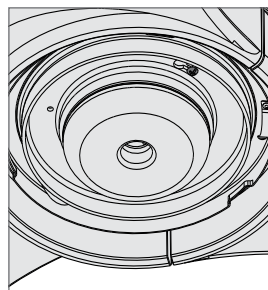
Feed the wire plug through the center hole of the upper switch housing, then wrap keyhole slots around the screws and twist counterclockwise.



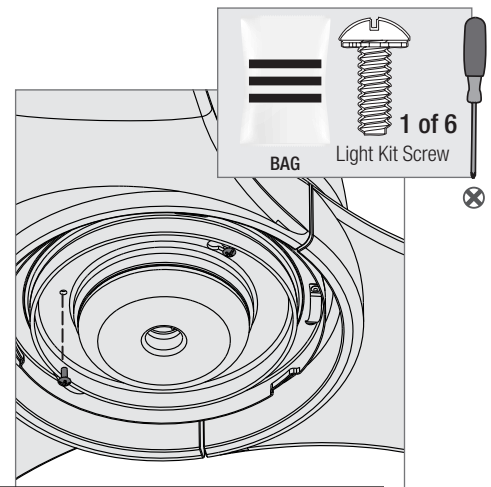
Insert the third screw, found in the hardware bag, into place and then tighten all three screws.



Partially install two of the light kit screws found in the hardware bag. It does not matter which two screw holes you choose. Connect the single-pin connectors from the LED assembly to the connectors from the fan. Connect the white wires together. Connect the blue and black wires together.



Align the keyhole slots in the light kit housing with the two screws. Make sure all the wires from the fan and the light kit are snug inside the center of the light kit, not pinched in between the upper switch housing and the light kit or hanging out of the sides.

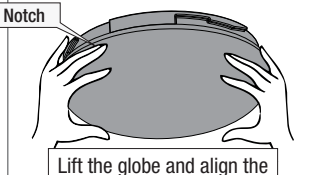
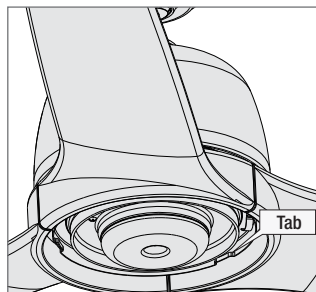


Turn the light kit counterclockwise until the light kit screws are firmly situated in the narrow end of the keyhole slots. Install the third screw and tighten all three screws securely.

**! WARNING**  
**FAN FALL HAZARD**  
 Make sure all screws are tight to secure the light fixture.

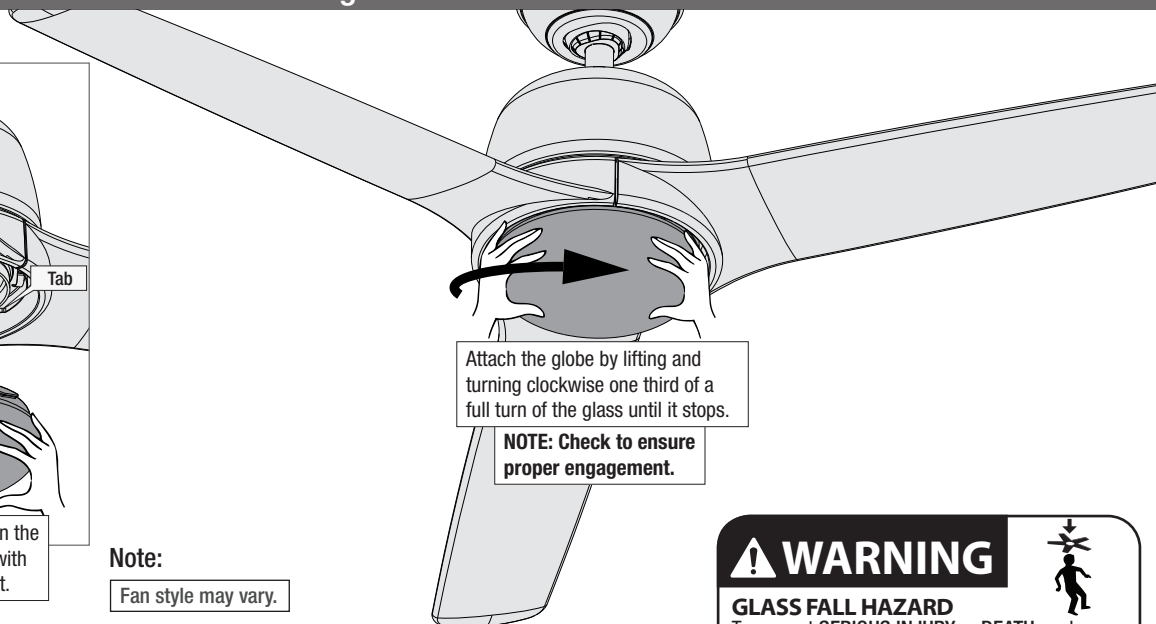
Note:  
 Fan style may vary.

## Installing the Glass



Lift the globe and align the notches in the globe with the tabs in the light kit.

Note:  
 Fan style may vary.

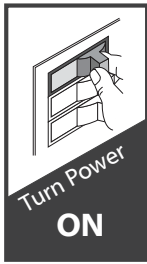


Attach the globe by lifting and turning clockwise one third of a full turn of the glass until it stops.

**NOTE: Check to ensure proper engagement.**

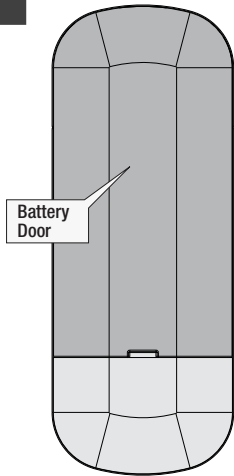
**! WARNING**  
**GLASS FALL HAZARD**  
 To prevent **SERIOUS INJURY** or **DEATH**, make sure that glass is properly secured.

## Preparing the Remote



For your convenience, a remote function card is packed in with your remote.

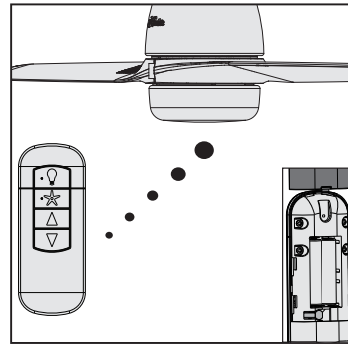
To access the battery compartment, remove the battery door to the transmitter assembly.



### IMPORTANT

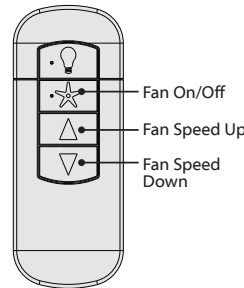
- Always purchase the correct size and grade of battery most suitable for the intended use.
- Replace all batteries of a set at the same time.
- Clean the battery contacts and also those of the device prior to battery installation.
- Ensure the batteries are installed correctly with regard to polarity (+ and -).
- Remove batteries from equipment which is not to be used for an extended period of time.
- Remove used batteries promptly.

Install two AAA batteries, found in the remote control hardware bag, into the transmitter. Clean the battery contacts prior to installing the batteries. Please contact your local battery recycling center for proper battery disposal information.

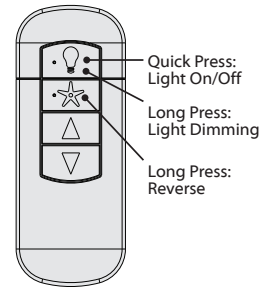


The remote transmitter is already paired to the receiver and ready to use. **Dimming mode is off by default.**

Note: If you need to pair your remote, turn fan power off and back on at the wall switch. Within 3 minutes, press and release the "PAIR" button on the back of the remote. **Do not hold down the button.** To prevent faulty operation, please ensure all other ceiling fans within range are turned off at the wall switch while pairing.



The Fan On/Off button turns the fan on or off. Adjust the fan speed using the "Fan Speed Up" or "Fan Speed Down" directional buttons.



Quickly press the Light button to turn the lights off and on. Hold the Light button to raise and dim the light level.

### NOTICE: DIMMING MODE

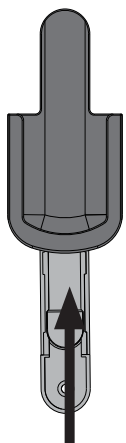
To enable dimming, your remote must be set to Dimming Mode. To toggle Dimming Mode on or off, long press the "Fan Speed Up" button and "Fan Speed Down" button.

## Installing the Remote Control Cradle

You have two options for installing the remote cradle.

Choose which path works best for you.

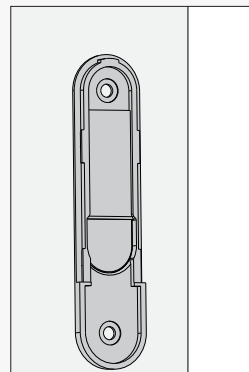
### Option 1: Using Adhesive Strip



Remove the cradle from the cradle bracket.

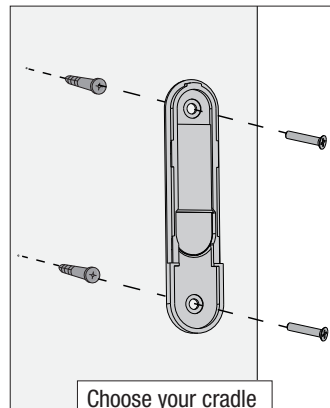


Separate the lining from the back of the adhesive strip on the cradle bracket.



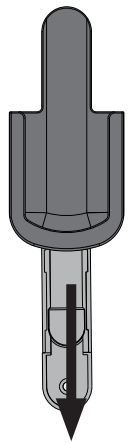
Press the cradle bracket against the wall and hold firmly for 30 seconds.

### Option 2: Using Screws



Choose your cradle installation location.

If you are installing into drywall, drill two 9/64 width holes using the cradle bracket as a guide. Gently hammer the included drywall anchors into the pre-drilled holes.



Slide the cradle onto the mounted bracket.

## Fan Doesn't Work

- Make sure power switch is on.
- Push the motor reversing switch firmly left or right to ensure that it is engaged.
- Check the circuit breaker to ensure the power is turned on.
- Make sure the blades spin freely.
- Turn off power from the circuit breaker, then loosen the canopy and check all the connections according to the wiring diagram.
- Check the plug connection in the switch housing.

## Excessive Wobbling

- Make sure the blades are properly installed on the blade iron posts.
- Turn the power off, support the fan carefully, and check that the hanger ball is properly seated.
- Use the provided balancing kit and instructions to balance the fan.

## Remote Control of Fan is Erratic

- Make sure the battery is installed correctly.
- Install a fresh battery.

## Remote Only Works Close to Fan

- Change battery.

## Noisy Operation

- Make sure the blades are properly installed.
- Check to see if any of the blades are cracked. If so, replace all of the blades.

## Multiple Remote Issues

- If you have multiple remotes or multiple remote-controlled fans installed on the same circuit breaker and you are experiencing interference or faulty operation of your remote controls, please go to [www.HunterFan.com/FAQs](http://www.HunterFan.com/FAQs) and click "[How do I properly install multiple remote-controlled fans?](#)" for information on how to correct this issue.

### Hunter Pro Tip:

#### Cleaning the Fan

Use soft brushes or cloths to prevent scratching. Cleaning products may damage the finishes.

## Limited Lifetime Warranty

Hunter Fan Company grants this limited warranty to the original purchaser of this Hunter ceiling fan. This document can be found at [www.HunterFan.com](http://www.HunterFan.com). Thank you for choosing Hunter!

### How Can Warranty Service Be Obtained?

**Proof of purchase is required** when requesting warranty service. The original purchaser must present a sales receipt or other document that establishes proof of purchase. Hunter, at its sole discretion, may accept a gift receipt. To obtain service, contact Hunter Fan Company online or by phone.

[www.HunterFan.com/Support/Contact-Us/](http://www.HunterFan.com/Support/Contact-Us/)  
1-888-830-1326

Please do not ship your fan or any fan parts to Hunter. Delivery will be refused.

### What Does This Warranty Cover?

#### Motor — Limited Lifetime Warranty

If any part of your ceiling fan motor fails during your ownership of the fan due to a defect in material or workmanship, as determined solely by Hunter, Hunter will provide you with a replacement fan free of charge.\* The foregoing limited warranty applies only to the motor itself and does not apply to electronic controls – such as remote control transmitters, remote control receivers, or capacitors – used in conjunction with the motor. Such electronic control items are included in the one-year limited warranty below.

#### Other — One-Year Limited Warranty

Except as otherwise indicated throughout this warranty, if any part of your Hunter ceiling fan fails at any time within one year of the date of purchase due to a defect in material or workmanship, as determined solely by Hunter, Hunter will provide a replacement part free of charge.\*

#### Light Kits — Warranty May Vary

Light kits are included in the one-year limited warranty. However, you may qualify for additional warranty coverage if your fan includes one of the following:

- **LED Light Kits — Three-Year Limited Warranty**

If your LED light kit module (not including glass components) or LED bulb fails at any time within three years of the date of purchase due to a defect in material or workmanship, as determined solely by Hunter, Hunter will provide a replacement part free of charge.\*

*\* If no replacement product/part can be provided for your fan, we will provide a comparable or superior replacement product/part at the sole discretion of Hunter.*

### What Does This Warranty NOT Cover?

**Labor Excluded.** This warranty does not cover any costs or fees associated with the labor (including electrician's fees) required to install, remove, or replace a fan or any fan parts. There is no warranty for light bulbs (except where otherwise noted); remote control batteries; fans purchased or installed outside the United States; fans owned by someone other than the original purchaser; fans for which proof of purchase has not been established; fans purchased from an unauthorized dealer; ordinary wear and tear; minor cosmetic blemishes; refurbished fans; and fans that are damaged due to any of the following: improper installation, misuse, abuse, improper care, failure to follow Hunter instructions, accidental damage caused by the fan owner or related parties, modifications to the fan, improper or incorrectly performed maintenance or repair, improper voltage supply or power surge, use of improper parts or accessories, failure to provide maintenance to the fan, or acts of God (e.g. flood).

ORIGINAL PURCHASER'S SOLE AND EXCLUSIVE REMEDY FOR A CLAIM OF ANY KIND WITH RESPECT TO THIS PRODUCT SHALL BE THE REMEDIES SET FORTH HEREIN. HUNTER FAN COMPANY IS NOT RESPONSIBLE FOR CONSEQUENTIAL OR INCIDENTAL DAMAGES, DUE TO PRODUCT FAILURE, WHETHER ARISING OUT OF BREACH OF WARRANTY, BREACH OF CONTRACT, OR OTHERWISE. Some States do not allow the exclusion or limitation of incidental or consequential damages, so the above limitation or exclusion may not apply to you.

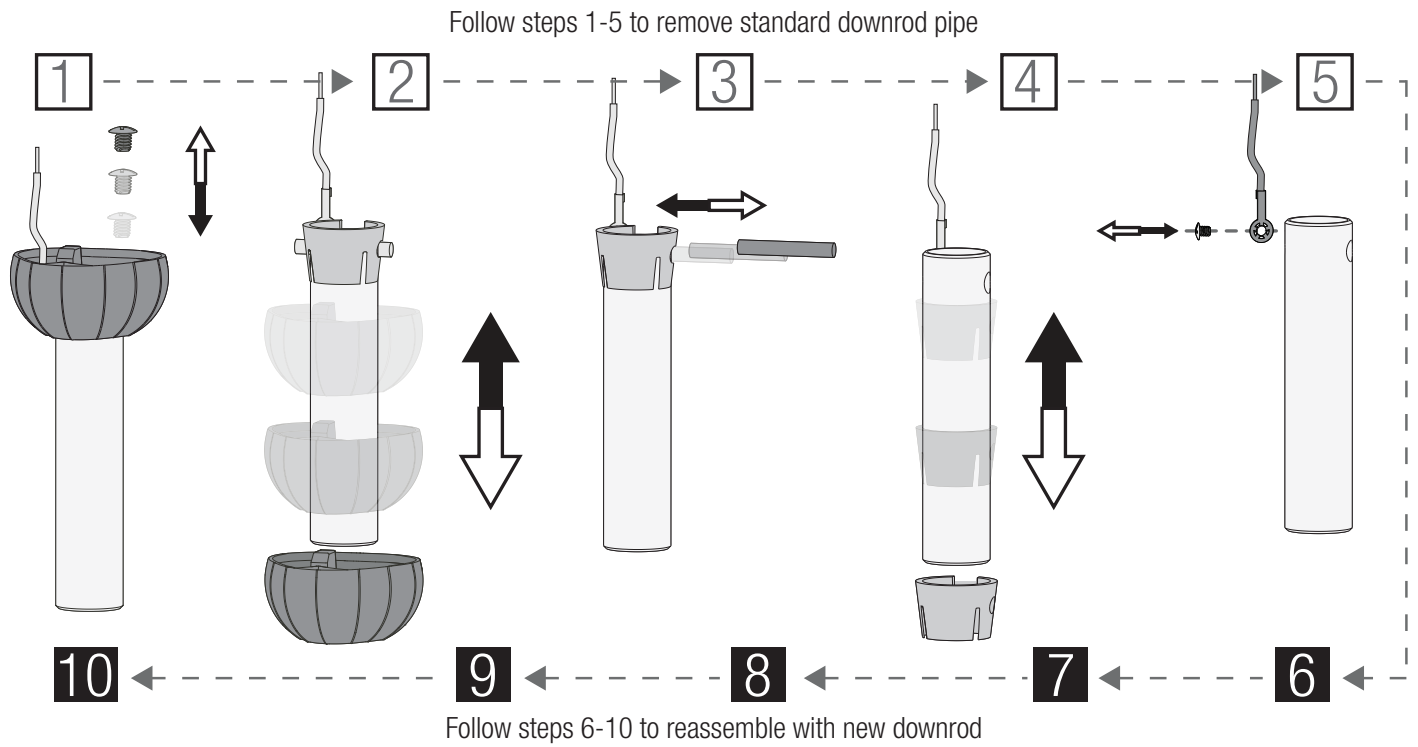
ANY IMPLIED WARRANTIES OF MERCHANTABILITY OR FITNESS FOR A PARTICULAR PURPOSE APPLICABLE TO THIS PRODUCT ARE LIMITED IN DURATION TO THE PERIOD OF COVERAGE OF THE APPLICABLE LIMITED WARRANTIES SET FORTH ABOVE. Some States do not allow limitations on how long an implied warranty lasts, so the above limitation may not apply to you.

### How Does State Law Affect Warranty Coverage?

This warranty gives you specific legal rights. You may also have other rights which vary from state to state.

## Downrod

If you need a different downrod length follow these steps:



**WARNING**

**FAN FALL HAZARD**

To prevent **SERIOUS INJURY** or **DEATH**:

- **ALWAYS** follow the downrod assembly instructions exactly.
- **VERIFY** the downrod is assembled correctly by firmly pulling on the hanger ball.