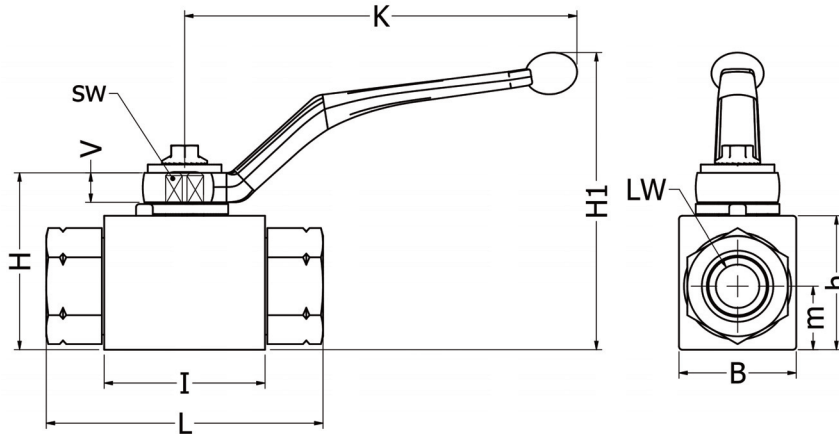


Behringer 2-Way Ball Valves

Block Body Valves with Threaded Connections
Size Range: 1/4" - 1 1/2"

Features:

- Chrome Plated Steel Material (Stainless Steel Optional).
- Full Port Valves.
- Delrin Ball Seats (Others available on request).
- Viton O-rings (Others available on request).
- Zinc Iron Plated.
- Temp Range -20°F to 212°F.
- Hard Chrome-Plated Ball.
- Other options available upon request.



High Pressure Block Body Valves 1/4 - 1 1/2			Working Pressure		Dimensions (in.)											Lever Material
Size	Thread Type	Part Number	PSI	Bar	I	L	B	H	h	m	V	SW	K	H1	LW	
1/4	NPT	BBV/T2H1D1F-M	7250	500	1.57	2.71	1.02	1.85	1.3	0.53	0.43	0.35	4.53	3.23	0.24	Zinc
	BSP	BBV/G2H1D1F-M	7250	500	1.57	2.71	1.02	1.85	1.3	0.53	0.43	0.35	4.53	3.23	0.24	Zinc
	SAE	BBV/O2H1D1F-M	7250	500	1.57	2.71	1.02	1.85	1.3	0.53	0.43	0.35	4.53	3.23	0.2	Zinc
3/8	NPT	BBV/T3H1D1F-M	7250	500	1.69	2.83	1.26	2.05	1.5	0.69	0.43	0.35	4.53	3.39	0.39	Zinc
	BSP	BBV/G3H1D1F-M	7250	500	1.69	2.83	1.26	2.05	1.5	0.69	0.43	0.35	4.53	3.39	0.39	Zinc
	SAE	BBV/O3H1D1F-M	7250	500	1.69	2.83	1.26	2.05	1.5	0.69	0.43	0.35	4.53	3.39	0.39	Zinc
1/2	NPT	BBV/T4H1D1F-M	7250	500	1.89	3.26	1.38	2.13	1.57	0.75	0.43	0.35	4.53	3.5	0.51	Zinc
	BSP	BBV/G4H1D1F-M	7250	500	1.89	3.26	1.38	2.13	1.57	0.75	0.43	0.35	4.53	3.5	0.51	Zinc
	SAE	BBV/O4H1D1F-M	7250	500	1.89	3.26	1.38	2.13	1.57	0.75	0.43	0.35	4.53	3.5	0.51	Zinc
3/4	NPT	BBV/T5H1D1F-M	6090	420	2.44	3.74	1.93	2.95	2.24	0.96	0.55	0.55	6.73	4.37	0.79	Steel
	BSP	BBV/G5H1D1F-M	6090	420	2.44	3.74	1.93	2.95	2.24	0.96	0.55	0.55	6.73	4.37	0.79	Steel
	SAE	BBV/O5H1D1F-M	6090	420	2.44	3.74	1.93	2.95	2.24	0.96	0.55	0.55	6.73	4.37	0.79	Steel
1	NPT	BBV/T6H1D1F-M	5075	350	2.6	4.45	2.28	3.27	2.56	1.16	0.55	0.55	6.73	5.24	0.98	Steel
	BSP	BBV/G6H1D1F-M	5075	350	2.6	4.45	2.28	3.27	2.56	1.16	0.55	0.55	6.73	5.24	0.98	Steel
	SAE	BBV/O6H1D1F-M	5075	350	2.6	4.45	2.28	3.27	2.56	1.16	0.55	0.55	6.73	5.24	0.98	Steel
1 1/4	NPT	BBV/T7H1D1F-M-S	5075	350	2.6	4.72	2.28	3.27	2.56	1.16	0.55	0.55	6.73	5.24	0.98	Steel
	BSP	BBV/G7H1D1F-M-S	5075	350	2.6	4.72	2.28	3.27	2.56	1.16	0.55	0.55	6.73	5.24	0.98	Steel
	SAE	BBV/O7H1D1F-M-S	5075	350	2.6	4.72	2.28	3.27	2.56	1.16	0.55	0.55	6.73	5.24	0.98	Steel
1 1/2	NPT	BBV/T8H1D1F-M-S	5075	350	2.6	5.12	2.28	3.27	2.56	1.16	0.55	0.55	6.73	5.24	0.98	Steel
	BSP	BBV/G8H1D1F-M-S	5075	350	2.6	5.12	2.28	3.27	2.56	1.16	0.55	0.55	6.73	5.24	0.98	Steel
	SAE	BBV/O8H1D1F-M-S	5075	350	2.6	5.12	2.28	3.27	2.56	1.16	0.55	0.55	6.73	5.24	0.98	Steel