

Main

Product or component type	Braking resistor
---------------------------	------------------

Complementary

Range compatibility	Altivar Process ATV900 Altivar Machine ATV340 Altivar Machine ATV320 Easy Altivar 310 Easy Altivar 310L
Product compatibility	Variable speed drive ATV930 wall mount 0.75 kW 380...480 V light cycle Variable speed drive ATV930 wall mount 1.5 kW 380...480 V light cycle Variable speed drive ATV930 wall mount 2.2 kW 380...480 V light cycle Variable speed drive ATV930 wall mount 3 kW 380...480 V light cycle Variable speed drive ATV930 wall mount 4 kW 380...480 V light cycle Variable speed drive ATV930 wall mount 0.75 kW 200...240 V light cycle Variable speed drive ATV950 wall mount 0.75 kW 380...480 V light cycle Variable speed drive ATV950 wall mount 1.5 kW 380...480 V light cycle Variable speed drive ATV950 wall mount 2.2 kW 380...480 V light cycle Variable speed drive ATV950 wall mount 3 kW 380...480 V light cycle Variable speed drive ATV950 wall mount 4 kW 380...480 V light cycle Variable speed drive ATV930 wall mount 0.75 kW 380...480 V medium cycle Variable speed drive ATV930 wall mount 1.5 kW 380...480 V medium cycle Variable speed drive ATV930 wall mount 0.75 kW 200...240 V medium cycle Variable speed drive ATV950 wall mount 0.75 kW 380...480 V medium cycle Variable speed drive ATV950 wall mount 1.5 kW 380...480 V medium cycle Variable speed drive ATV340 0.75 kW 380...480 V light cycle Variable speed drive ATV340 1.5 kW 380...480 V light cycle Variable speed drive ATV340 2.2 kW 380...480 V light cycle Variable speed drive ATV340 3 kW 380...480 V light cycle Variable speed drive ATV340 0.75 kW 380...480 V medium cycle Variable speed drive ATV320 0.18 kW 200...240 V Variable speed drive ATV320 0.37 kW 200...240 V Variable speed drive ATV320 0.37 kW 380...480 V Variable speed drive ATV320 0.55 kW 380...480 V Variable speed drive ATV320 0.75 kW 380...480 V Variable speed drive ATV320 1.1 kW 380...480 V Variable speed drive ATV320 1.5 kW 380...480 V Variable speed drive ATV320 2.2 kW 380...480 V Variable speed drive ATV320 3 kW 380...480 V Variable speed drive ATV310 1.5 kW Variable speed drive ATV310 2.2 kW Variable speed drive ATV310 3 kW Variable speed drive ATV310 4 kW Variable speed drive ATV930 2.2 kW 500...690 V light cycle Variable speed drive ATV930 3 kW 500...690 V light cycle Variable speed drive ATV930 4 kW 500...690 V light cycle Variable speed drive ATV930 5.5 kW 500...690 V light cycle Variable speed drive ATV930 3 hp 600 V light cycle Variable speed drive ATV930 5 hp 600 V light cycle Variable speed drive ATV930 7.5 hp 600 V light cycle Variable speed drive ATV930 2.2 kW 500...690 V medium cycle Variable speed drive ATV930 3 kW 500...690 V medium cycle Variable speed drive ATV930 3 hp 600 V medium cycle Variable speed drive ATV320 0.75 kW 525...600 V Variable speed drive ATV320 1.5 kW 525...600 V Variable speed drive ATV320 2.2 kW 525...600 V Variable speed drive ATV320 4 kW 525...600 V Variable speed drive ATV310L 0.75 kW Variable speed drive ATV310L 1.5 kW Variable speed drive ATV310L 2.2 kW Variable speed drive ATV310L 3.0 kW Variable speed drive ATV310L 4.0 kW Variable speed drive ATV310L 5.5 kW
Braking cycle	Light cycle heavy duty) <0.8 s 150 % 40 s Light cycle normal duty) <0.8 s 120 % 40 s Medium cycle normal duty) <4 s 135 % 40 s Medium cycle heavy duty) <4 s 165 % 40 s
Average power available	0.1 kW 122 °F (50 °C)
Ohmic value	100 Ohm
Electrical connection	Terminal <= 10 mm ² / AWG 8 drive
Protection type	Thermal protection via drive
Width	4.13 in (105 mm)
Height	11.61 in (295 mm)
Depth	3.94 in (100 mm)
Net Weight	3.31 lb(US) (1.5 kg)

Environment

Ambient air temperature for operation	32...122 °F (0...50 °C)
Ambient air temperature for storage	-13...158 °F (-25...70 °C)
IP degree of protection	IP20

Ordering and shipping details

Category	22209 - ATV650
Discount Schedule	CP4E
GTIN	03606480802249
Nbr. of units in pkg.	1
Package weight(Lbs)	3.8 lb(US) (1.72 kg)
Returnability	No
Country of origin	DE

Packing Units

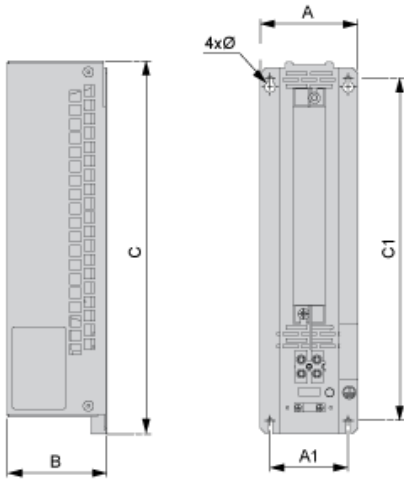
Unit Type of Package 1	PCE
Package 1 Height	4.69 in (11.9 cm)
Package 1 width	6.61 in (16.8 cm)
Package 1 Length	12.28 in (31.2 cm)

Offer Sustainability

California proposition 65	WARNING: This product can expose you to chemicals including: Lead and lead compounds, which is known to the State of California to cause cancer and birth defects or other reproductive harm. For more information go to www.P65Warnings.ca.gov
REACH Regulation	REACH Declaration
REACH free of SVHC	Yes
EU RoHS Directive	Pro-active compliance (Product out of EU RoHS legal scope) EU RoHS Declaration
Toxic heavy metal free	Yes
Mercury free	Yes
RoHS exemption information	Yes
China RoHS Regulation	China RoHS Declaration

Dimensions

Right Side and Front View



Dimensions in mm

A	B	C	A1	C1	Ø
105	100	295	72	266	4.5

Dimensions in in.

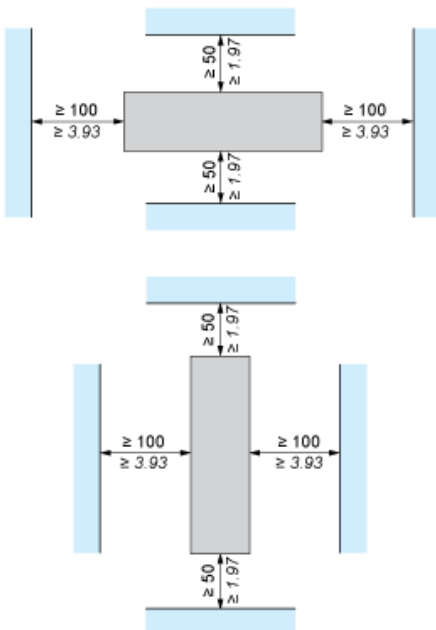
A	B	C	A1	C1	Ø
4.13	3.94	11.61	2.83	10.47	0.18

Mounting and Clearance



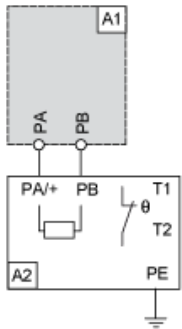
(1) Braking resistor

mm
in.



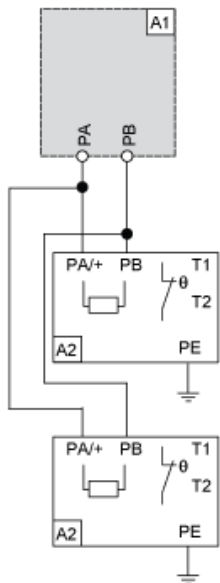
Recommended Schema

1 Braking Resistor



- A1 : Drive or external braking unit
- A2 : Braking resistor
- PA, Bus DC
- PB :
- T1, Temperature control switch
- T2 :

2 Braking Resistors



- A1 : Drive or external braking unit
- A2 : Braking resistor
- PA, Bus DC
- PB :
- T1, Temperature control switch
- T2 :