



Main

Range of product	Harmony Electromechanical Relays
Accessory / separate part category	Marking accessory
Product or component type	Legend
Sale per indivisible quantity	10

Complementary

Product compatibility	Socket RXZ connector
Net Weight	0.00 lb(US) (0.001 kg)

Ordering and shipping details

Category	21128 - ZELIO ICE CUBE RELAY ACCESSORIES
Discount Schedule	CP2
GTIN	00785901430162
Nbr. of units in pkg.	10
Package weight(Lbs)	0.01 lb(US) (0.00 kg)
Returnability	Yes
Country of origin	CN

Packing Units

Package 1 Height	0.100 dm
Package 1 width	0.300 dm
Package 1 Length	0.600 dm

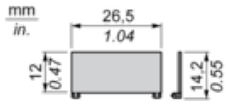
Offer Sustainability

Sustainable offer status	Green Premium product
California proposition 65	WARNING: This product can expose you to chemicals including: Nickel compounds, which is known to the State of California to cause cancer, and Di-isodecyl phthalate (DIDP), which is known to the State of California to cause birth defects or other reproductive harm. For more information go to www.P65Warnings.ca.gov
REAcH free of SVHC	Yes
EU RoHS Directive	Pro-active compliance (Product out of EU RoHS legal scope) EU RoHS Declaration
Toxic heavy metal free	Yes
Mercury free	Yes
RoHS exemption information	Yes
China RoHS Regulation	China RoHS Declaration
Environmental Disclosure	Product Environmental Profile

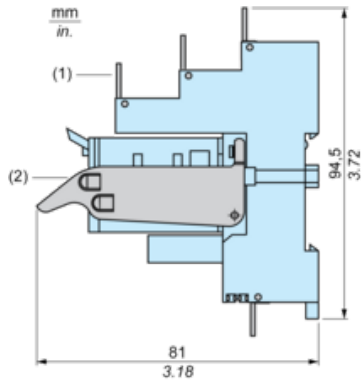
Contractual warranty

Warranty	18 months
----------	-----------

Dimensions



Mounting on All Sockets (1)



(1) Clip-in legends for all sockets except RXZE2M114

(2) Plastic clamp