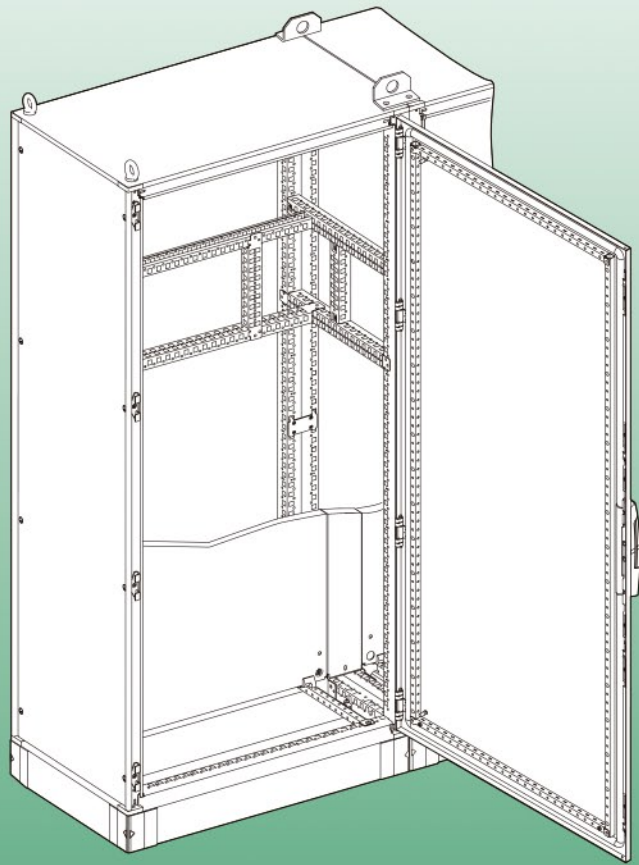

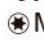
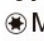



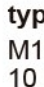










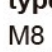





















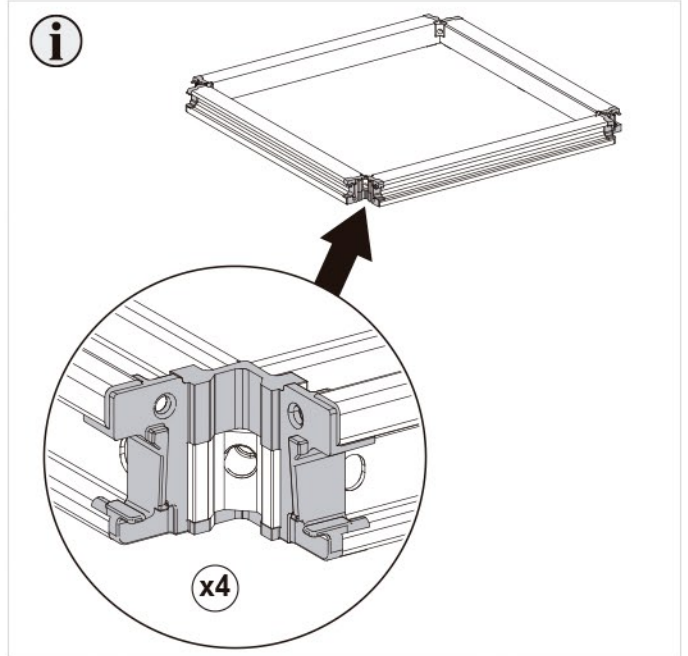
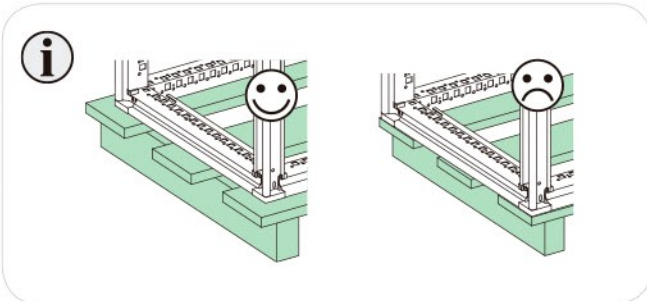
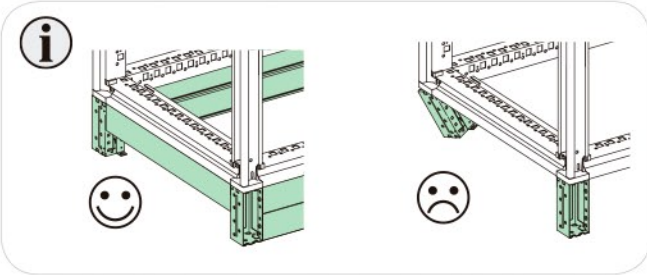
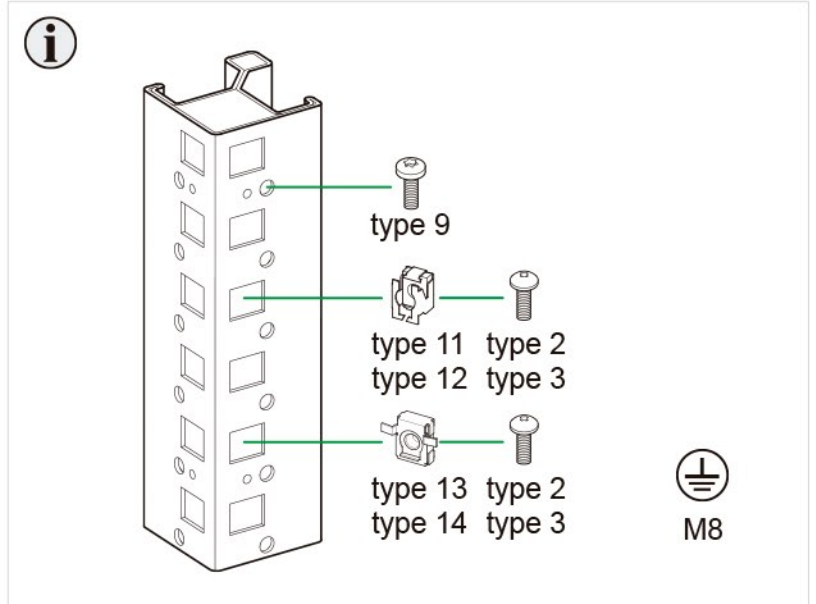
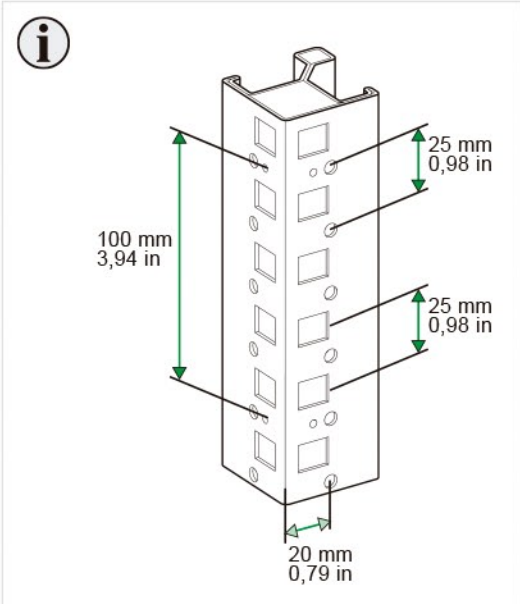


Spacial SF Supplied as a Kit
Spacial SF Fournies en Kit
Spacial SF Suministrado en Kit



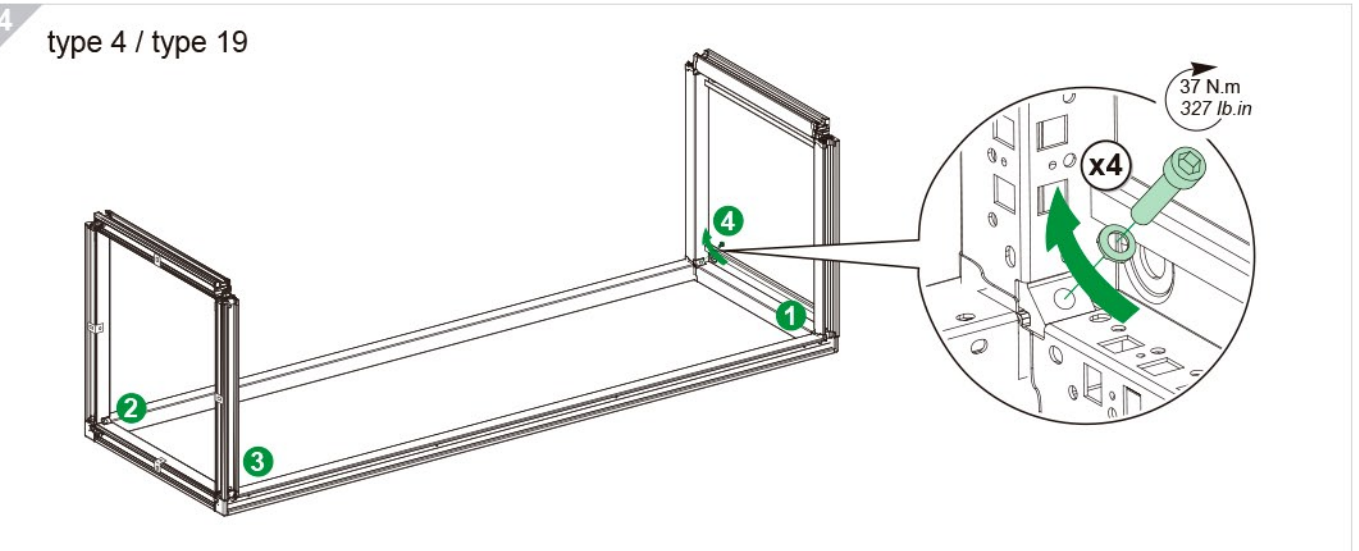
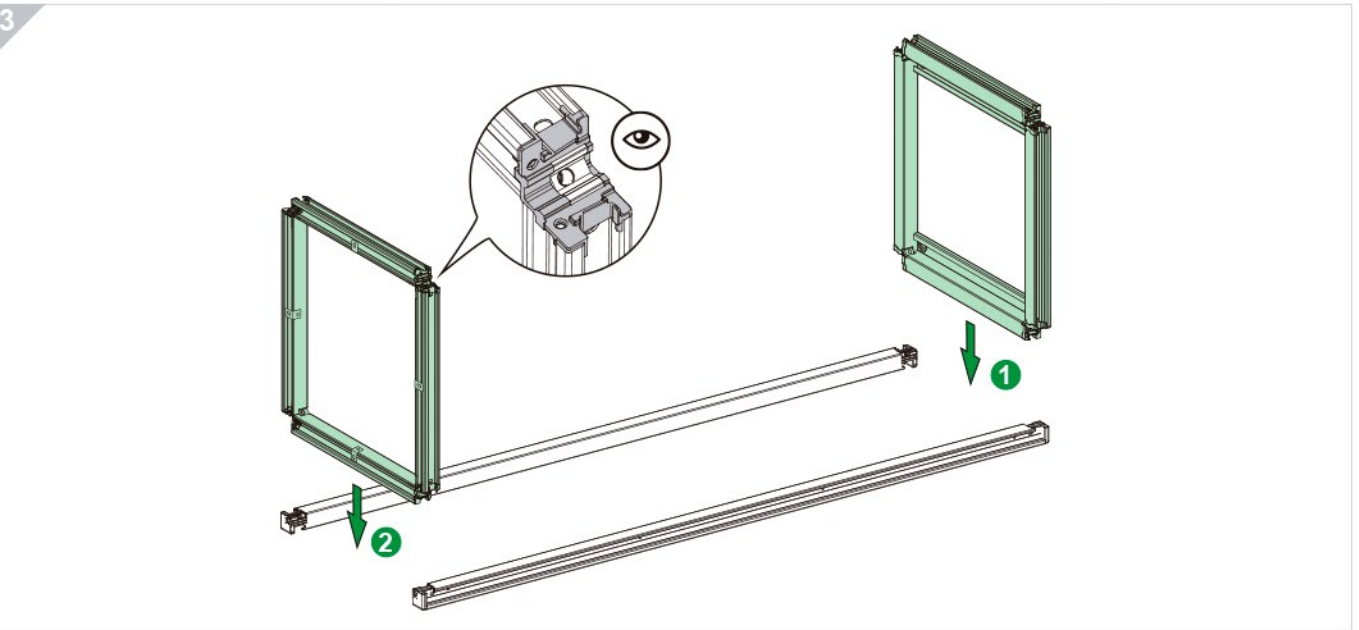
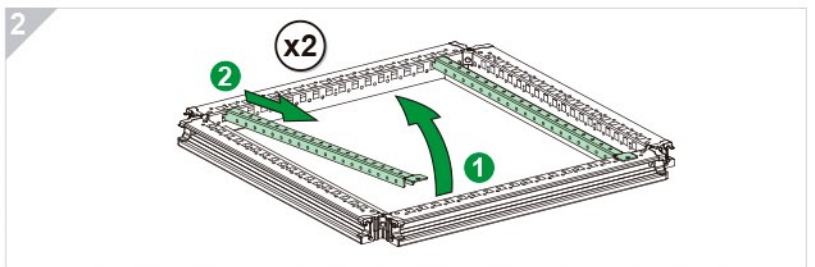
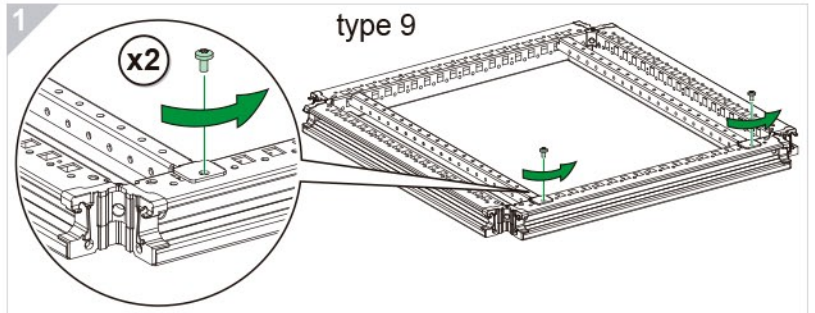
 type 1 ● M5 / T25 2.7 Nm 23.90 lb-in	 type 2 ● M6 / T30 4.5 Nm 39.82 lb-in	 type 3 ● M8 / T40 4.5 Nm 39.82 lb-in	 type 4 ● M8 37 Nm 327 lb-in	 type 5 ● M12 10 Nm 88.50 lb-in
 type 6 M8 4.5 Nm 39.82 lb-in	 type 7 M12 10 Nm 88.50 lb-in	 type 8 ● M12 6 Nm 53.10 lb-in	 type 9 ● M6 / T30 4.5 Nm 39.82 lb-in	 type 10 M6
 type 11 M6	 type 13 M6	 type 15 M8 3 Nm 26.55 lb-in	 type 16 ● M6 / T30 3.5 Nm 30.97 lb-in	 type 17 M 8
 type 12 M8	 type 14 M8	 type 21 diam.13 / PA 6.6	 type 22 ● M6 / T30 4.5 Nm - 39.82 lb-in	 type 18 diam. ext. 20
 type 19 diam. ext. 20	 type 20 diam.13		 type 23 ● M6 / T20 3.5 Nm - 30.97 lb-in	

 → p. 3	 → p. 4	 → p. 5	 → p. 6
 → p. 7	 → p. 8	 → p. 10	 → p. 12
 → p. 13	 → p. 14	 → p. 15	 → p. 16
 → p. 17	 → p. 18	 → p. 21	 → p. 22



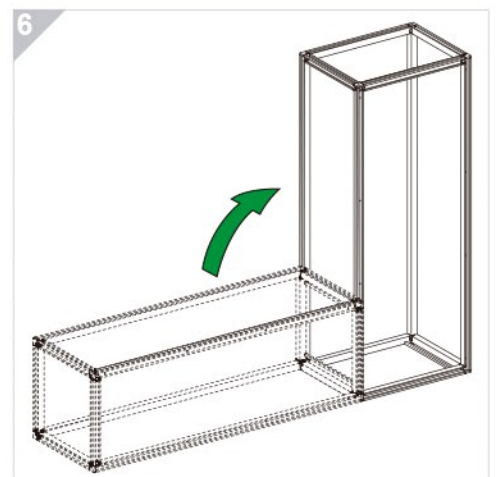
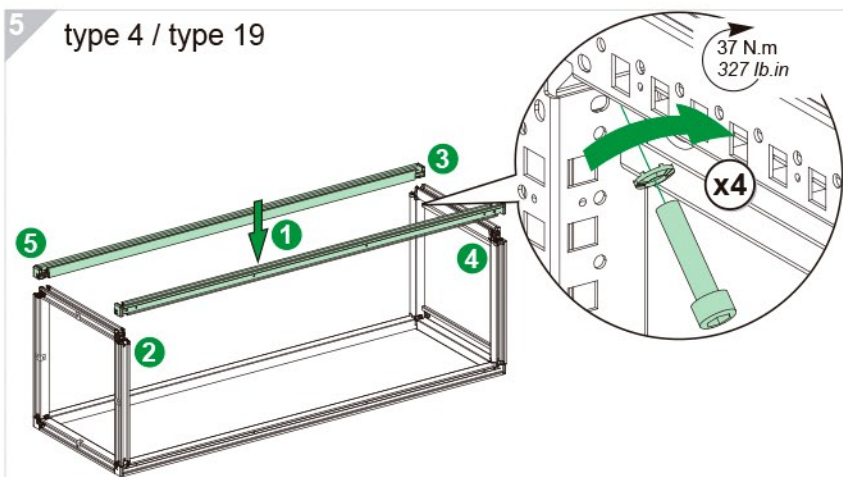
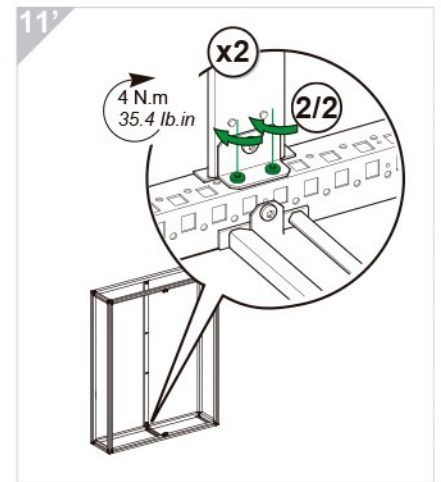
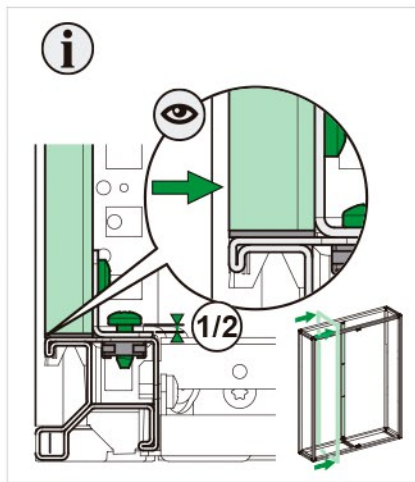
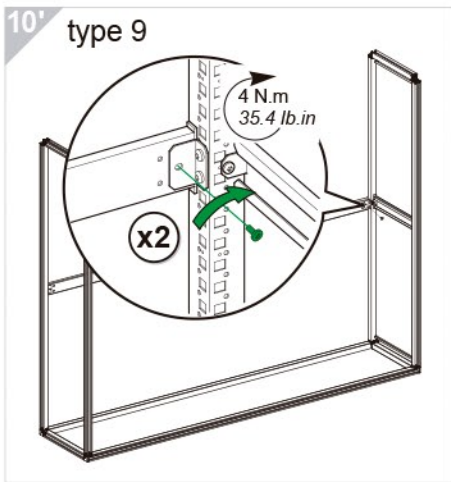
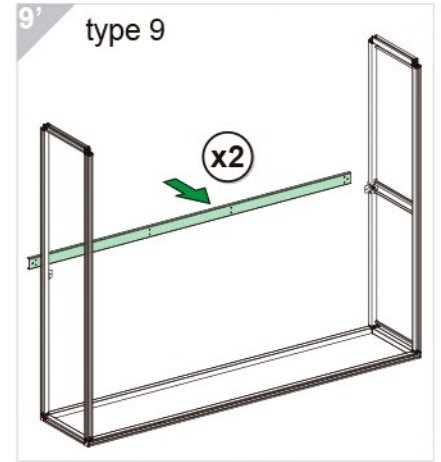
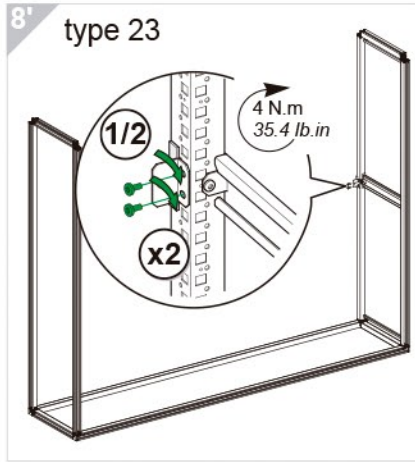
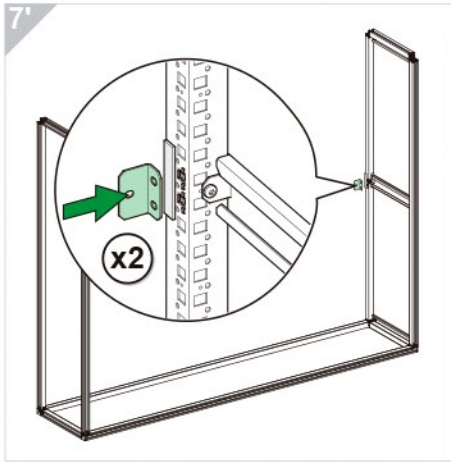
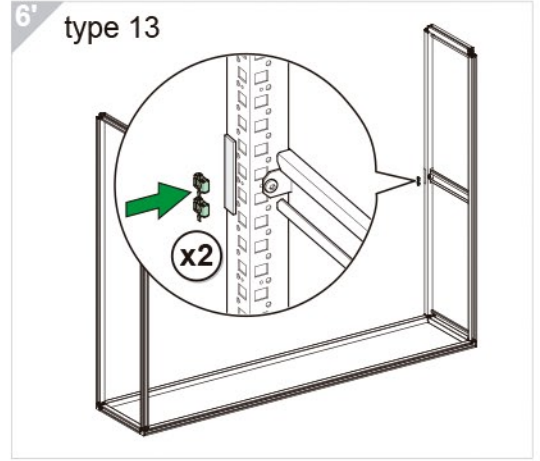
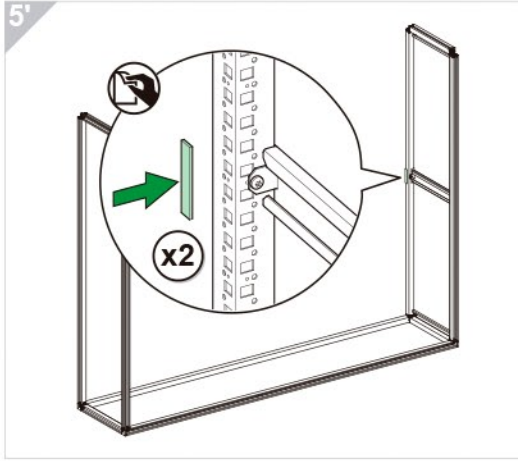


A



A'

Width/Large/Ancho
1600 mm
62.99 in



A**type 9**

● M6 / T30

3 Nm

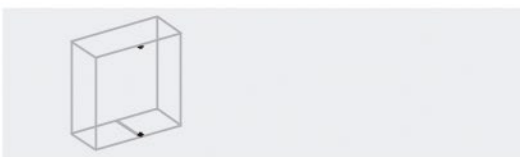
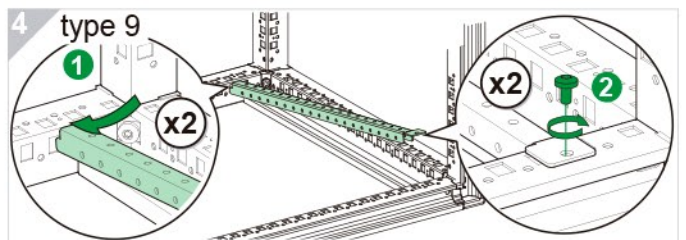
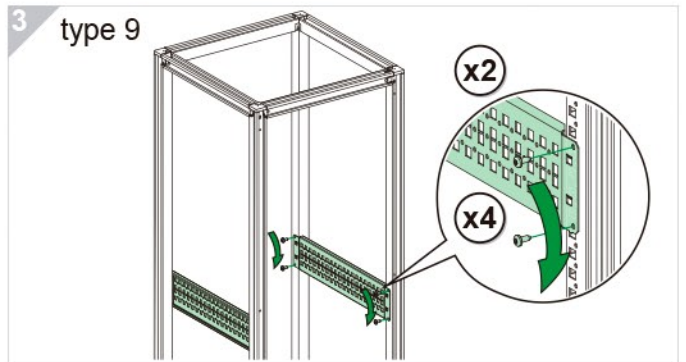
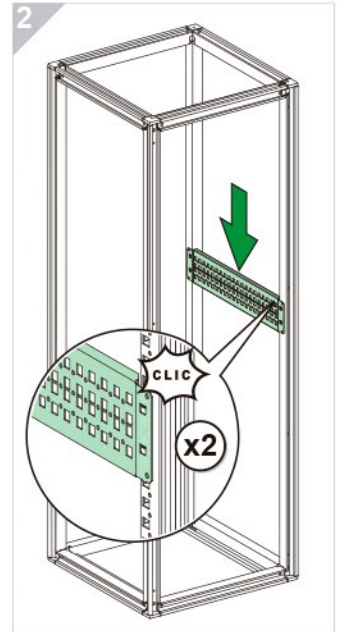
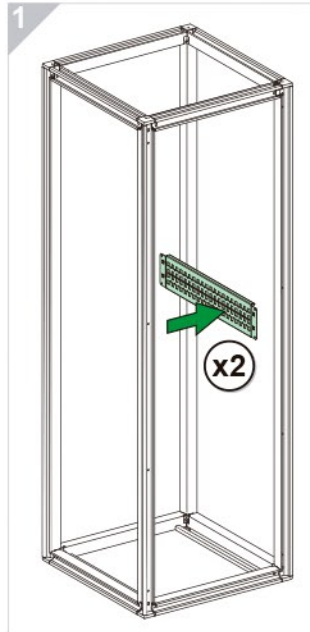
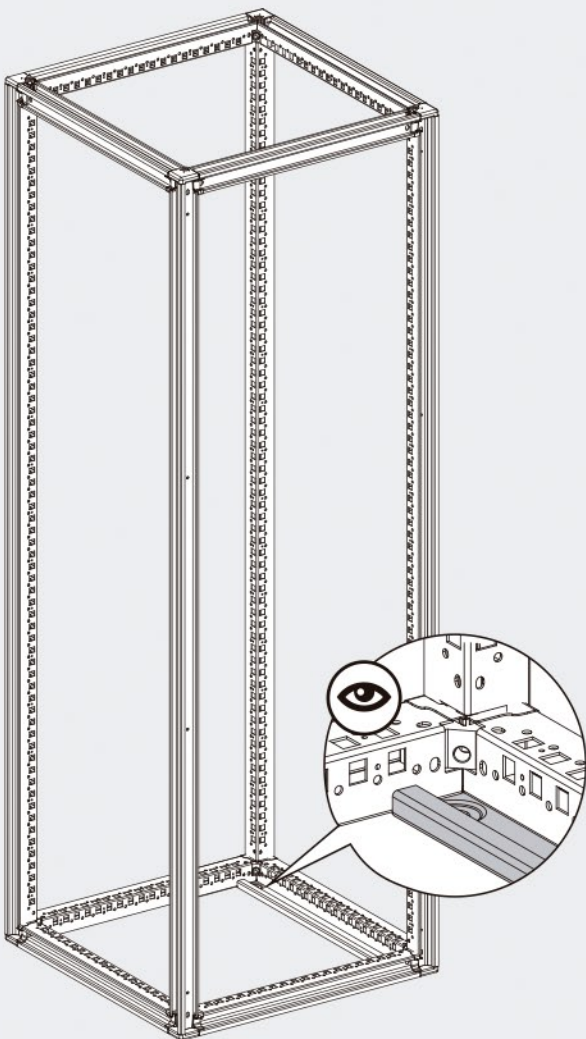
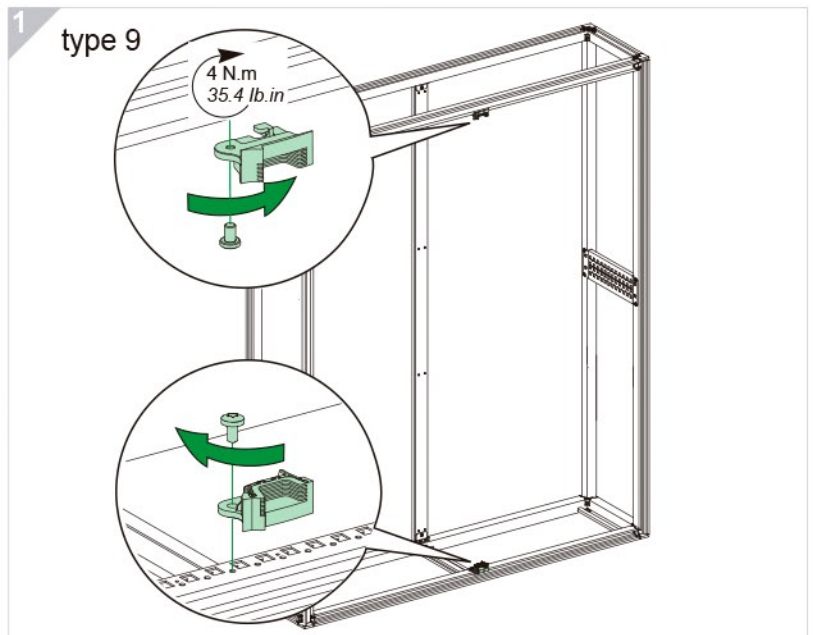
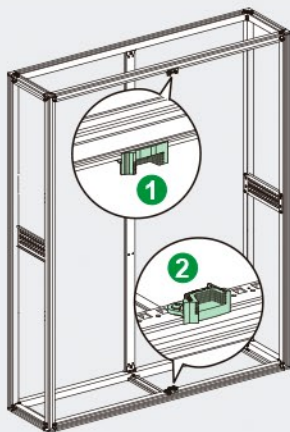
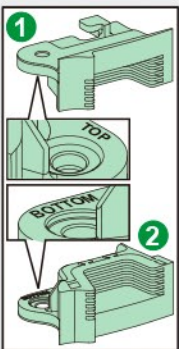
26,55 lb-in

x8**Width/Large/Ancho**

≥ 600 mm, 23.62 in

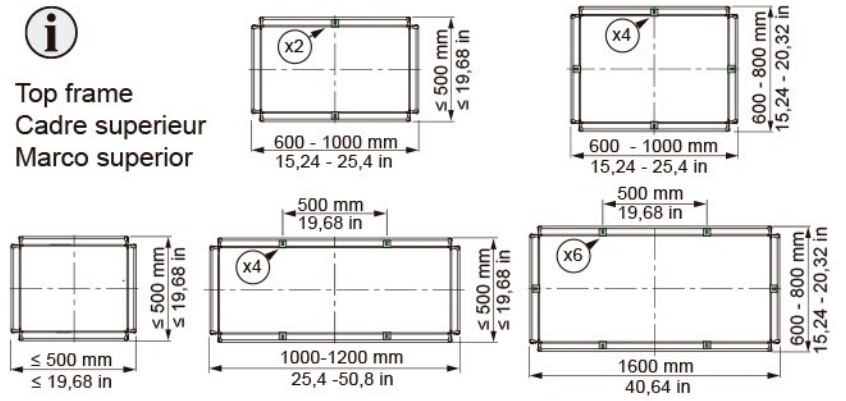
**Depth/Profundeur/
Profundidad**

≥ 500 mm, 19.68 in

**A**



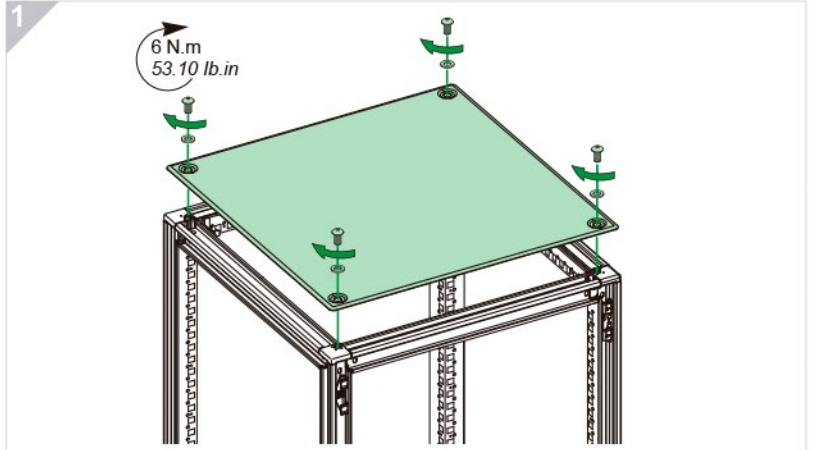
Top frame
Cadre supérieur
Marco superior



A



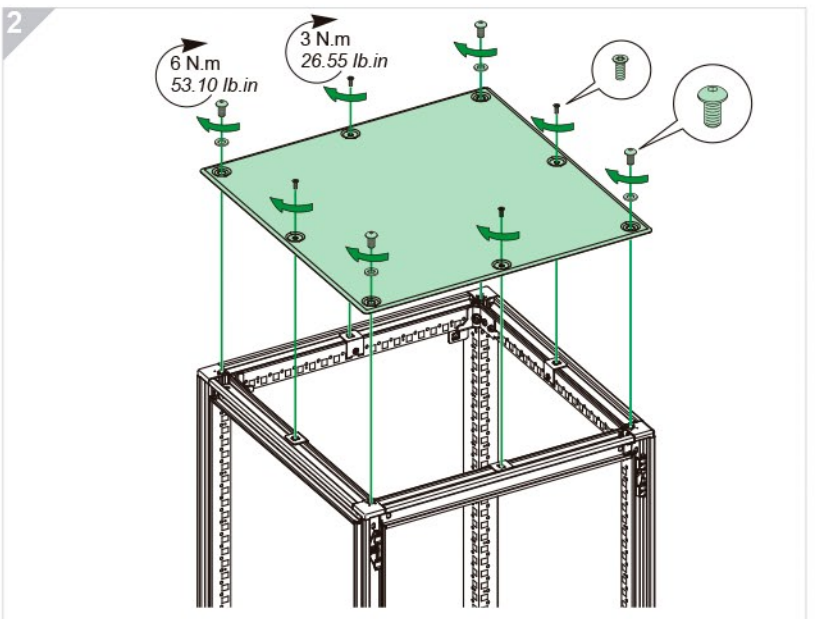
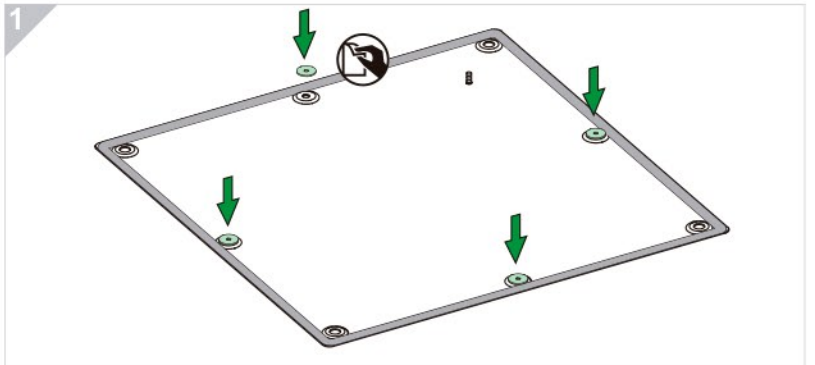
Width/Large/Ancho
≤ 500 mm, 19.68 in
Depth/Profundeur/Profundidad
≤ 500 mm, 19.68 in

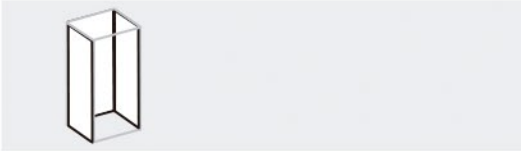


A

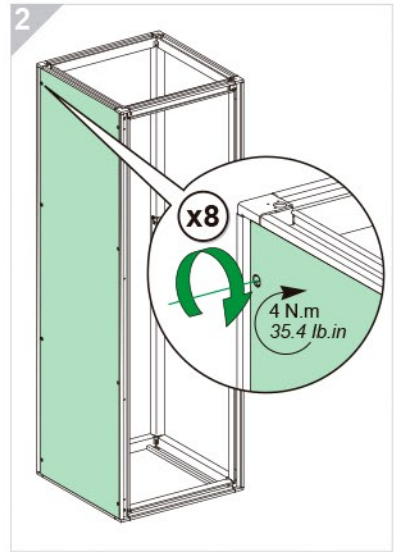
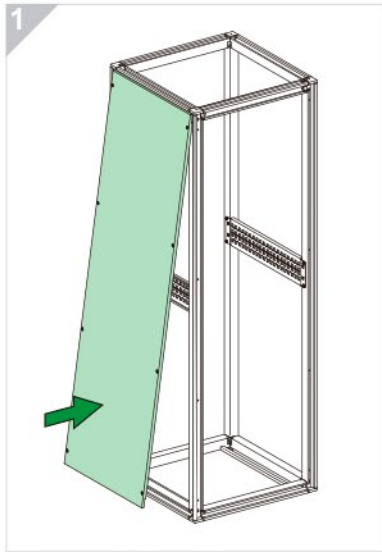
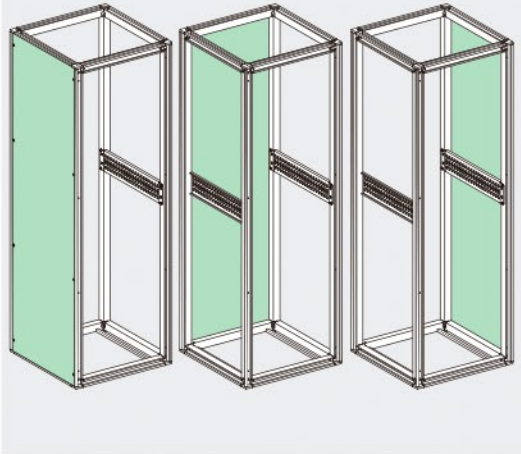


Width/Large/Ancho
≥ 600 mm, 23.62 in
Depth/Profundeur/Profundidad
≥ 600 mm, 23.62 in



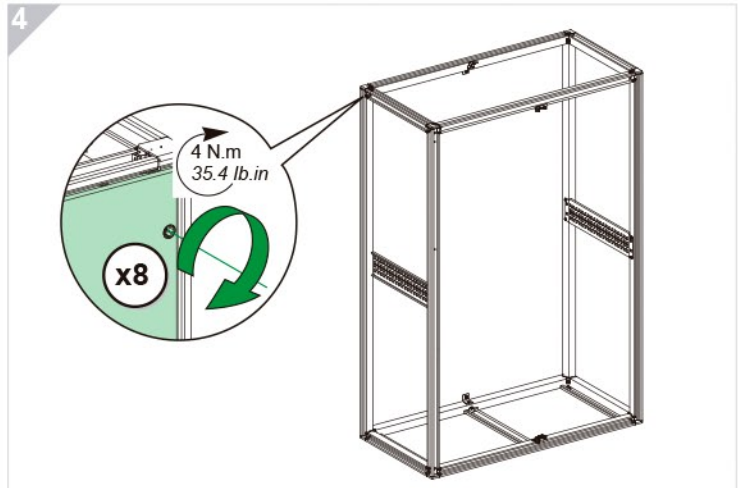
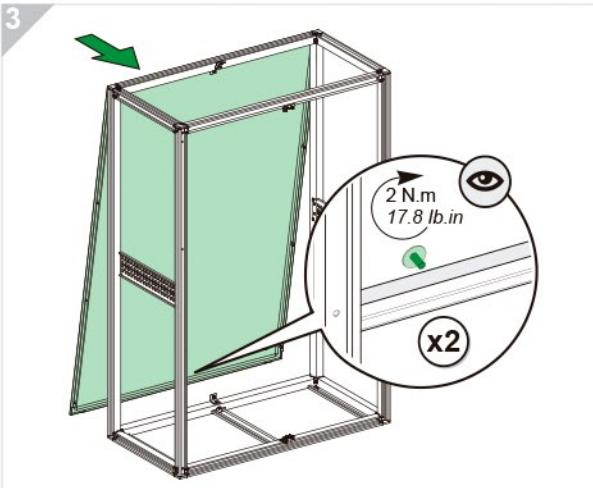
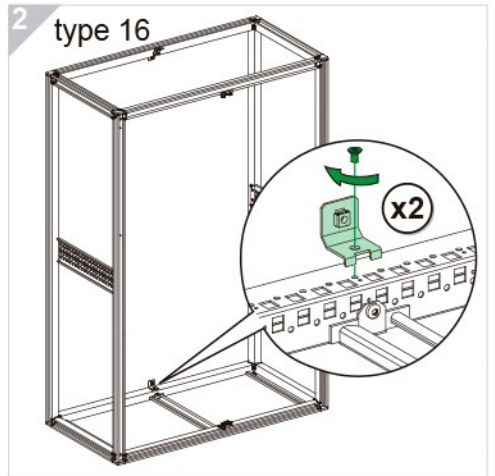
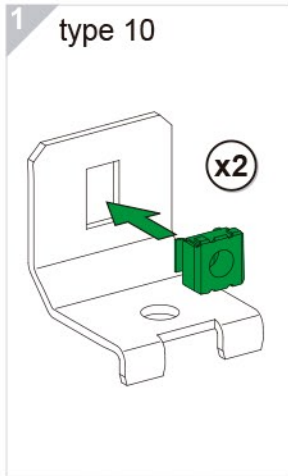
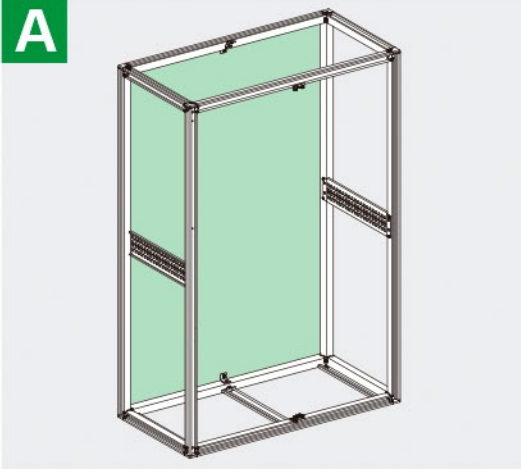


A



Width/Large/Ancho
1000/1200 mm
39.37/47.24 in

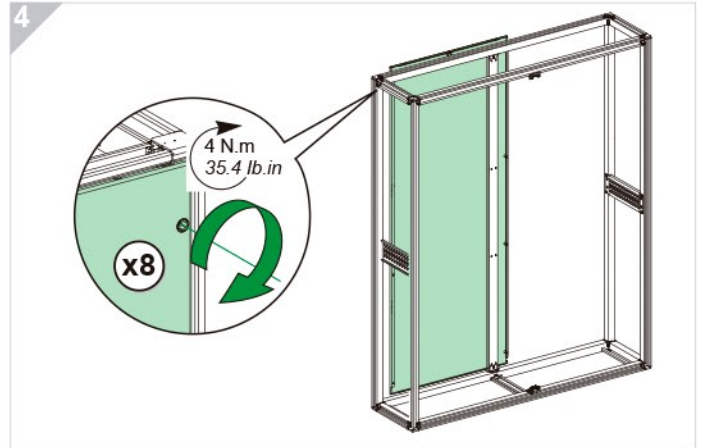
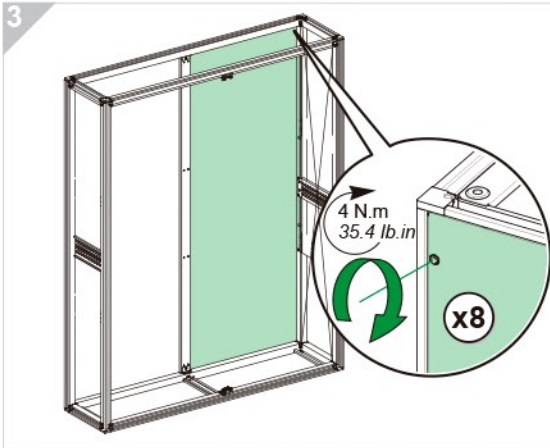
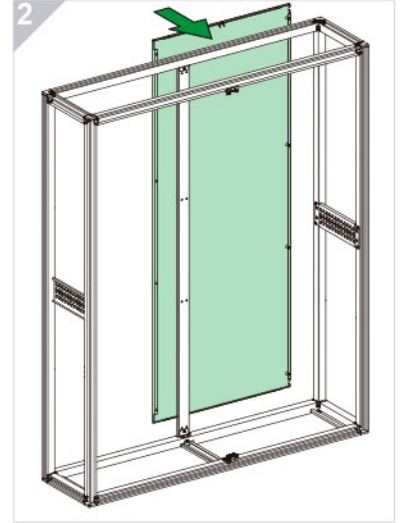
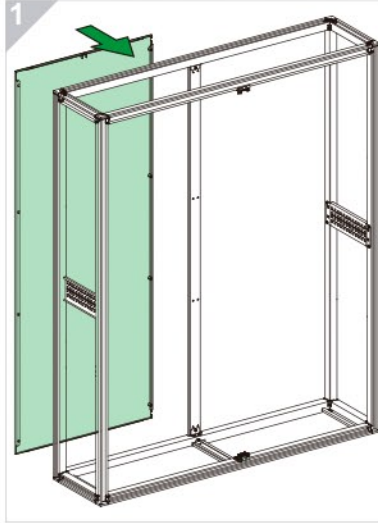
A



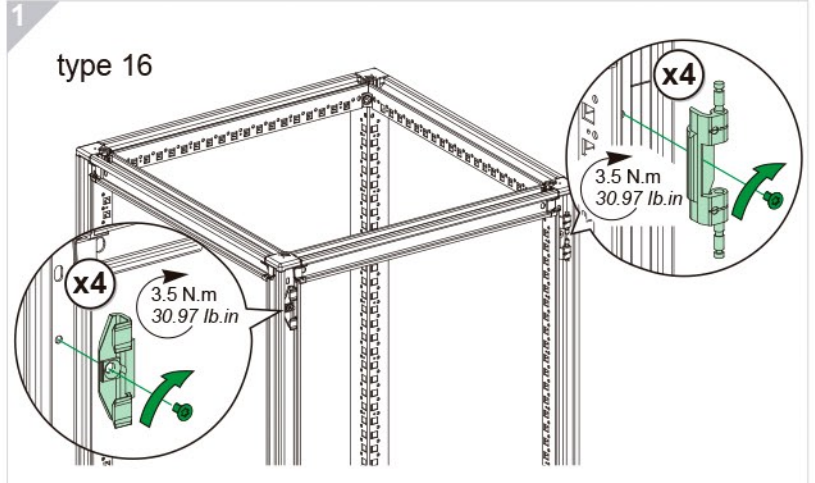


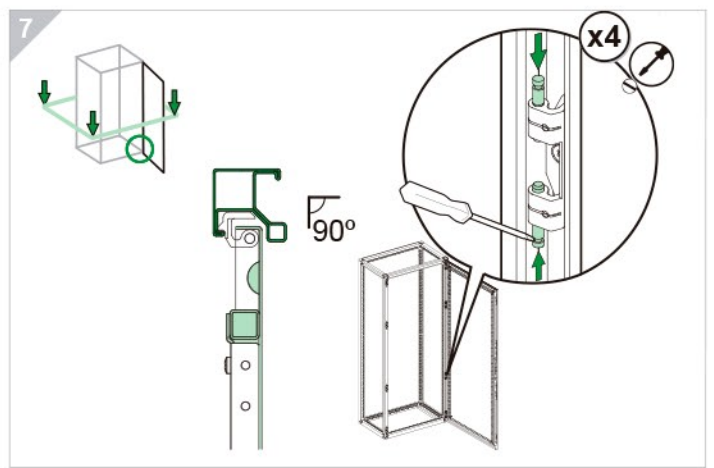
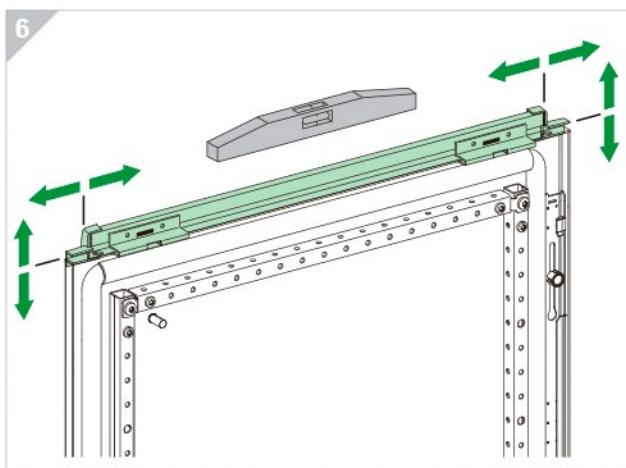
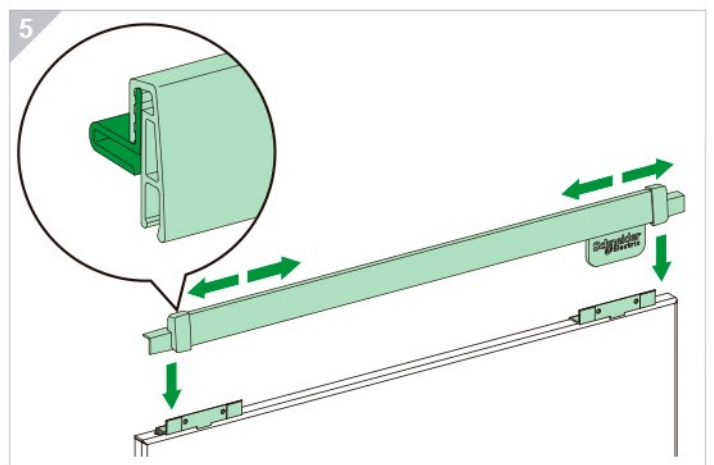
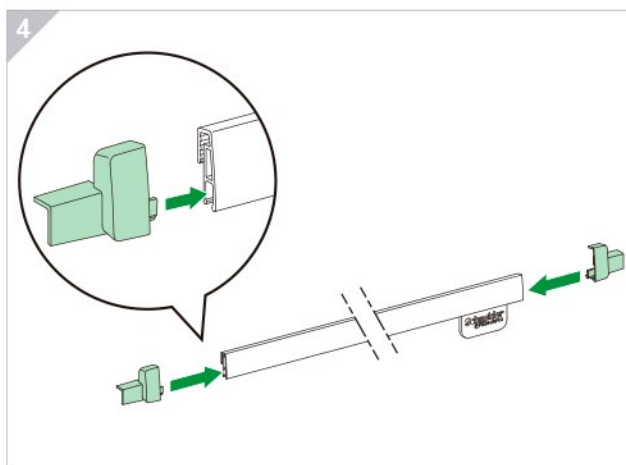
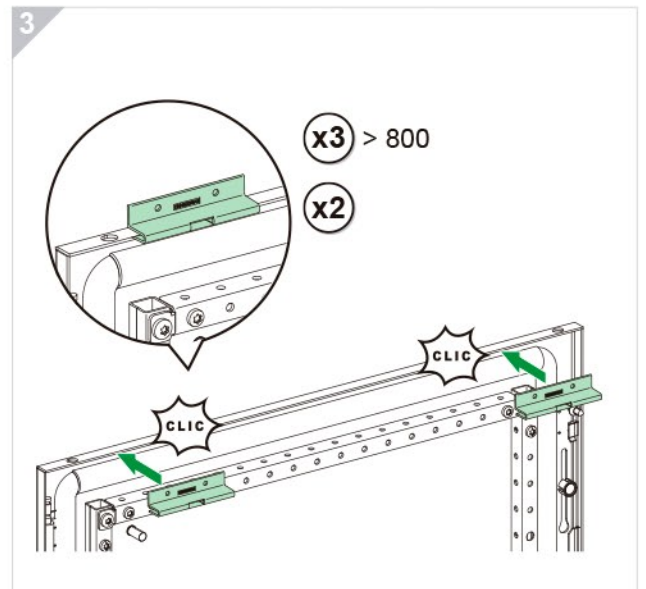
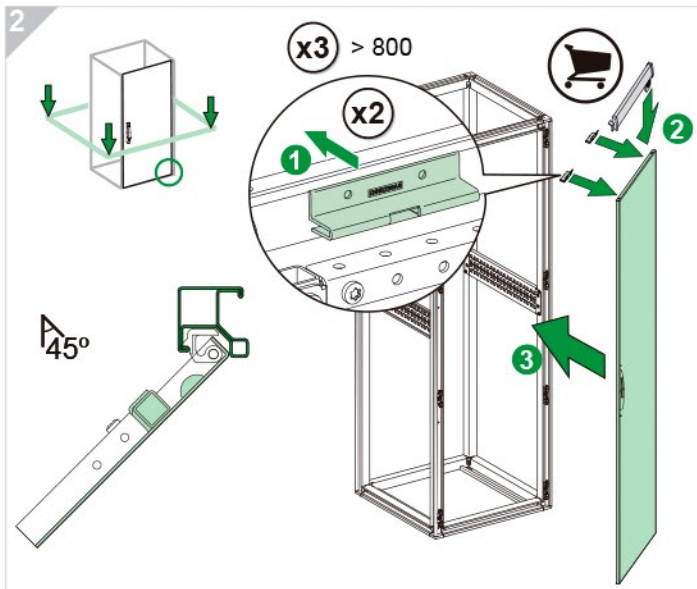
Width/Large/Ancho
1600 mm
62.99 in

A



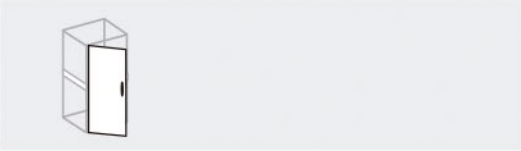
A



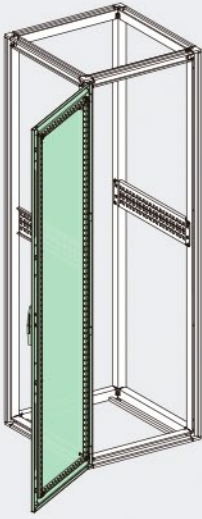


Door	Length	Cat. No.
1	300	NSYTRIM3SF
1	400	NSYTRIM4SF
1	500	NSYTRIM5SF
1	600	NSYTRIM6SF
1	700	NSYTRIM7SFP
1	800	NSYTRIM8SF
1	1000	NSYTRIM10SF

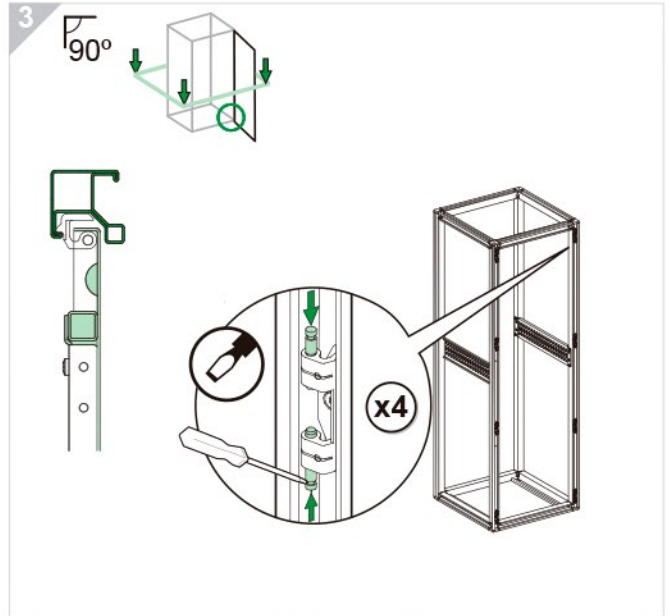
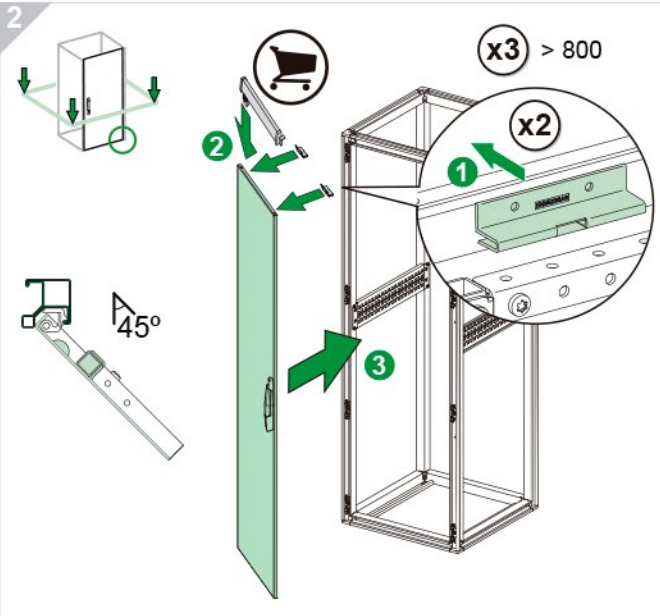
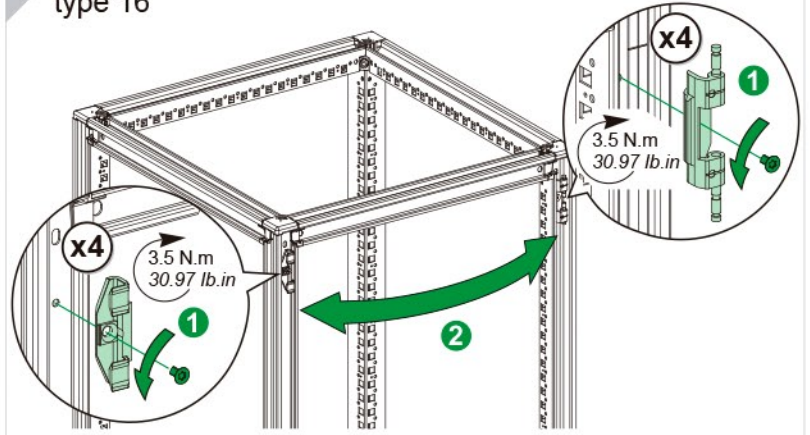
Door	Length	Cat. No.
2	800	NSYTRIM8SF2D
2	1000	NSYTRIM10SF2D
2	1200	NSYTRIM12SF2D
2	1600	NSYTRIM16SF2D

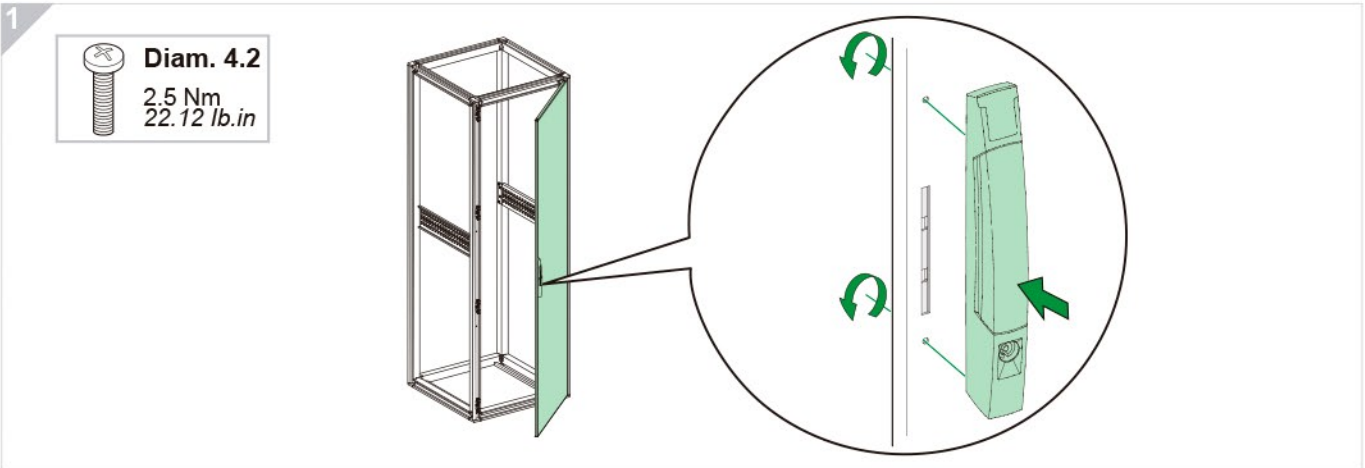
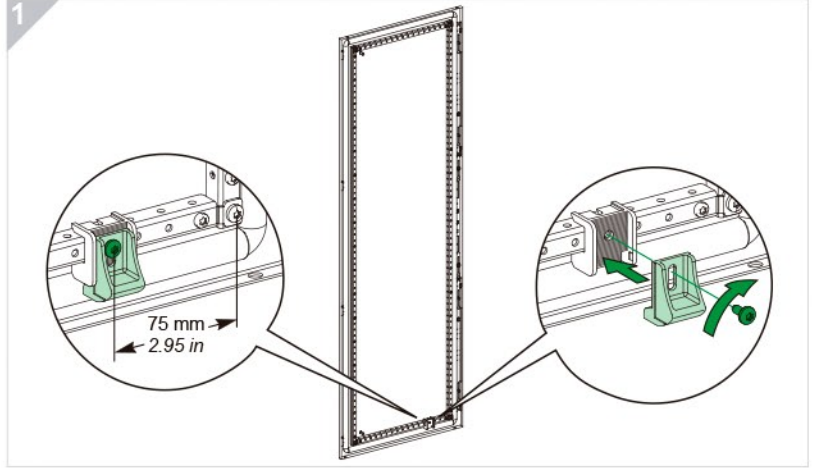
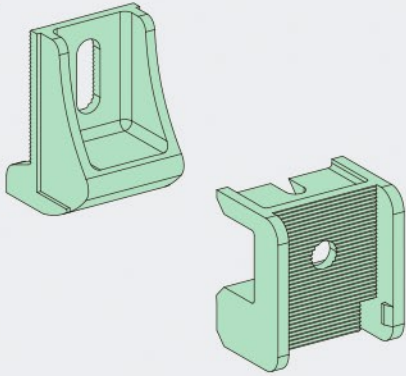
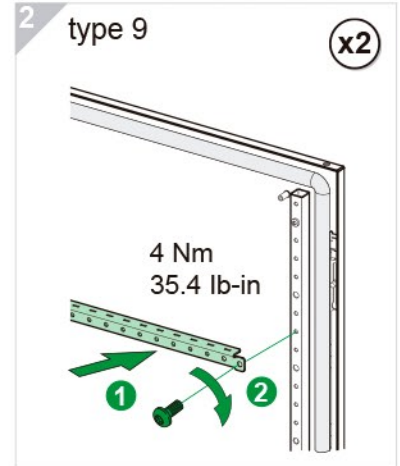


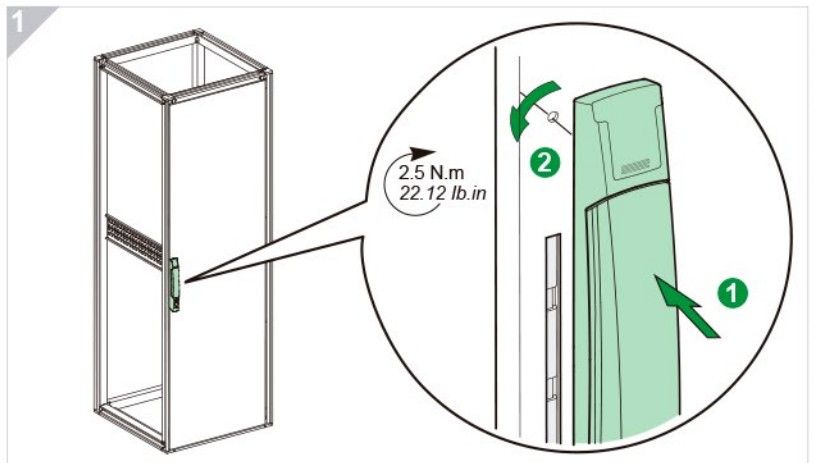
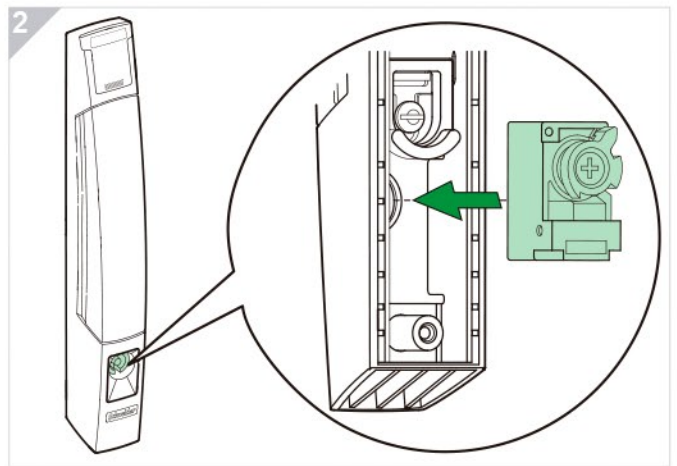
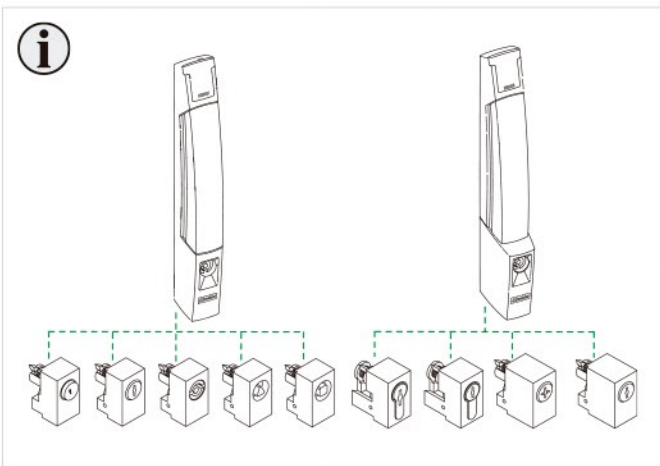
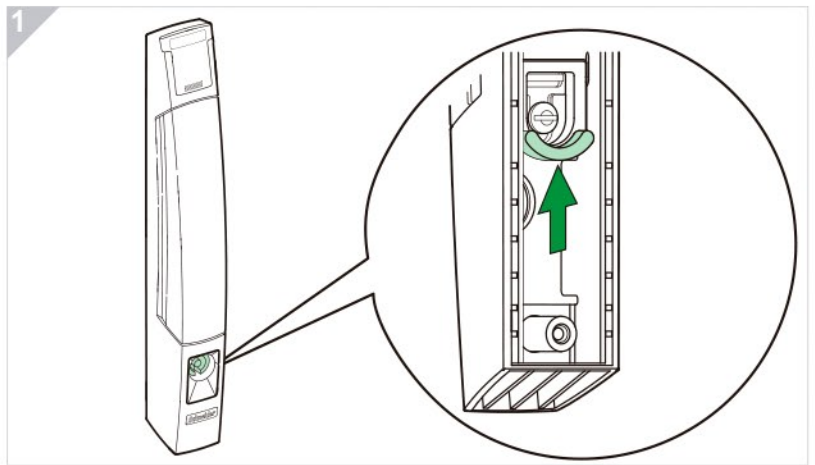
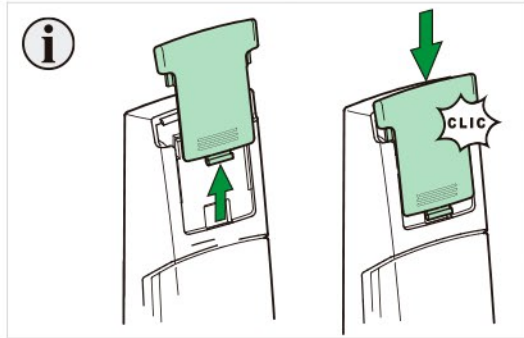
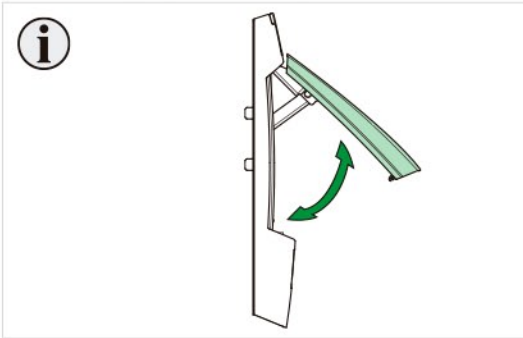
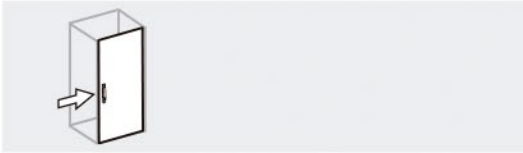
A'



1 type 16



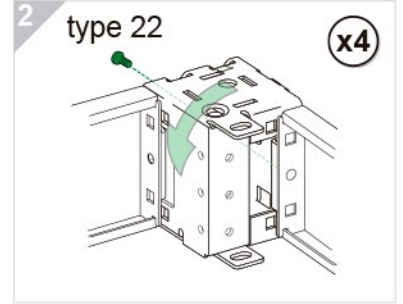
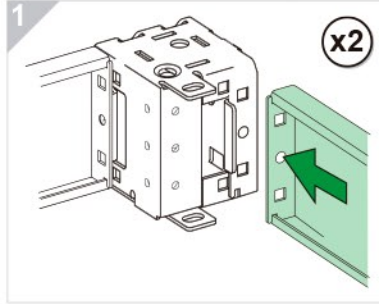
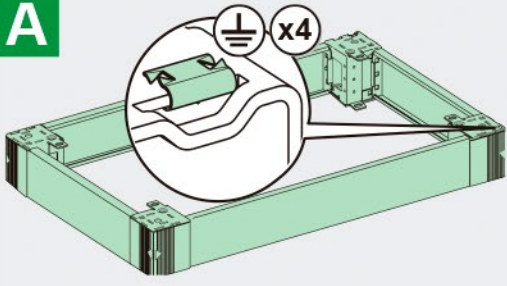
A**A**





NSYSPFxx100
NSYSPSxx100
H = 100 mm
H = 3.94 in

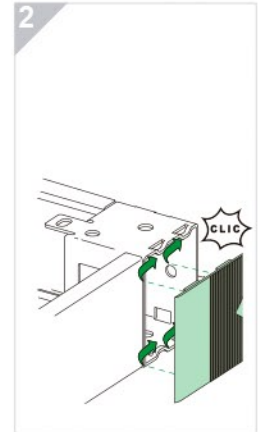
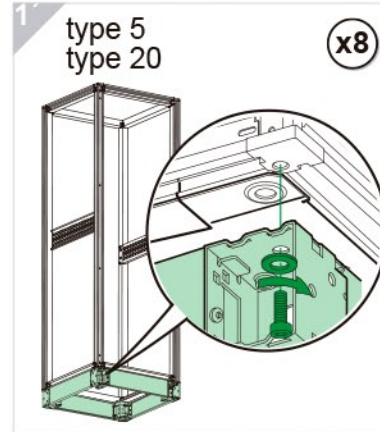
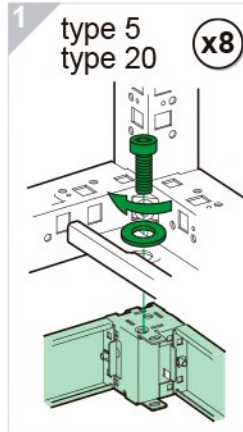
A



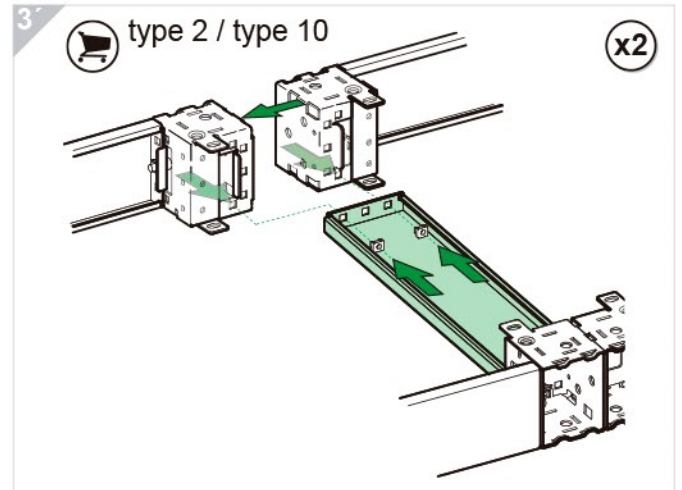
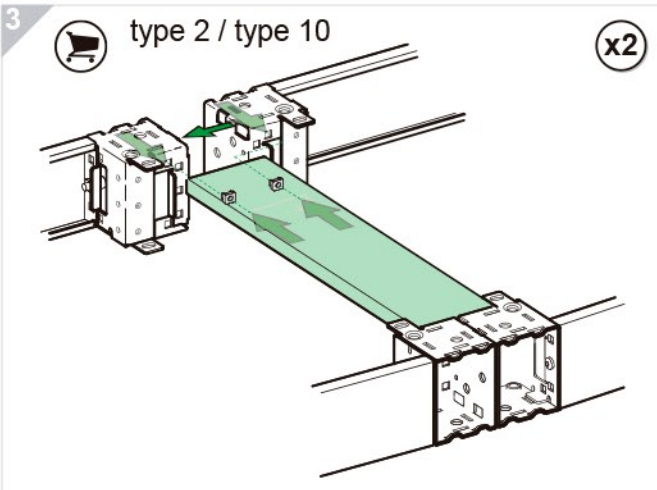
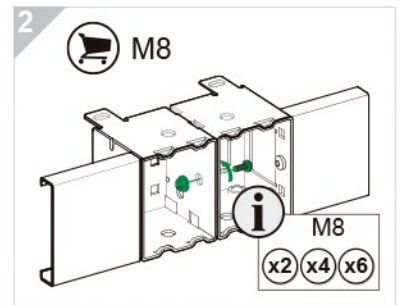
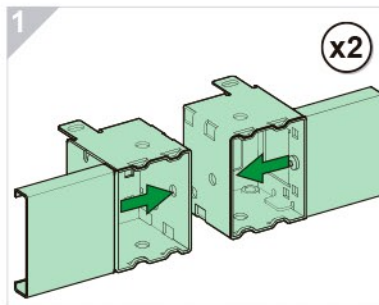
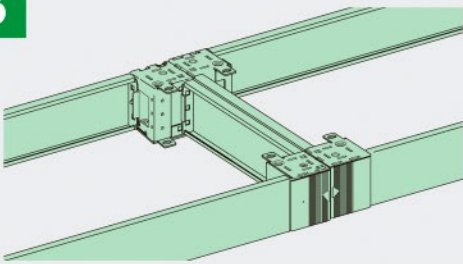
p. 16



B

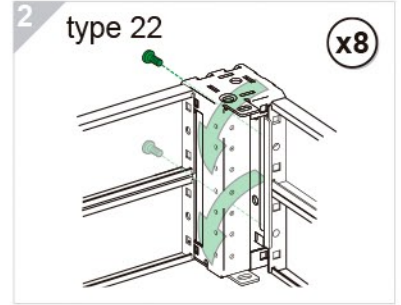
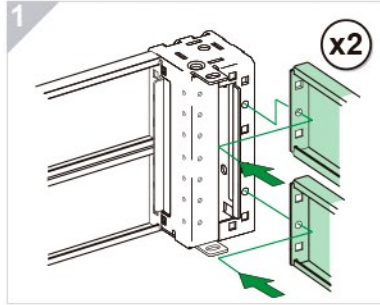
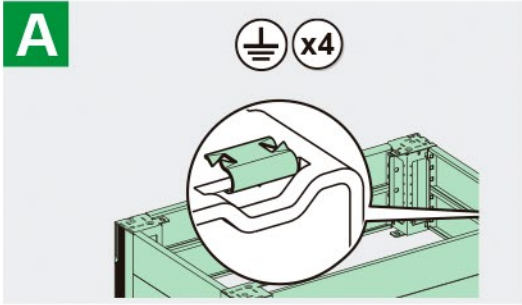


B'

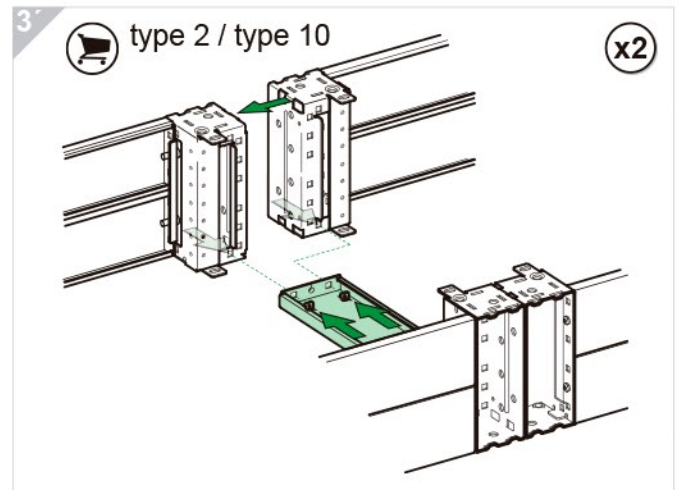
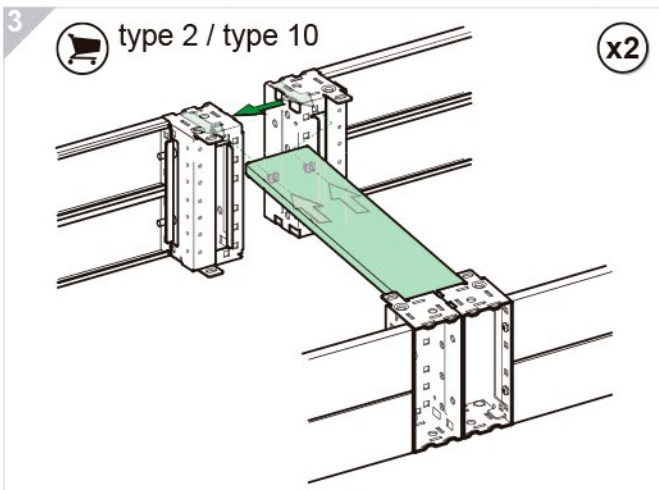
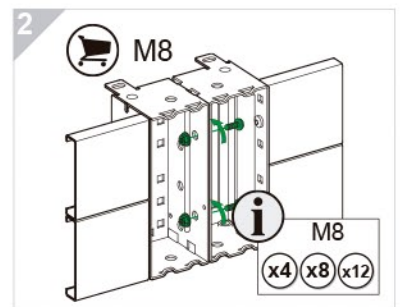
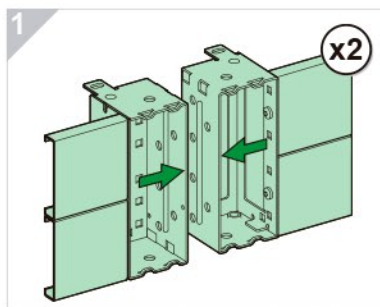
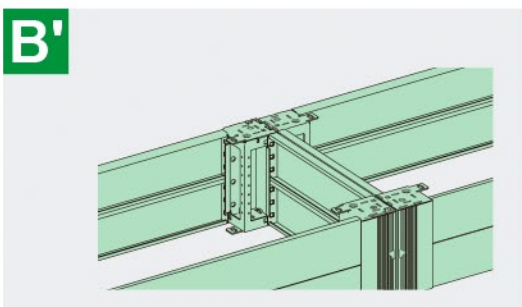
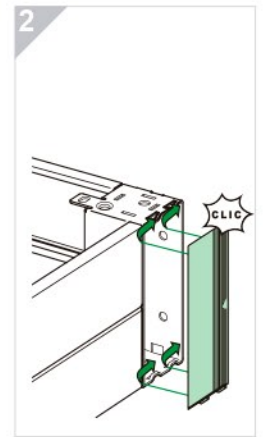
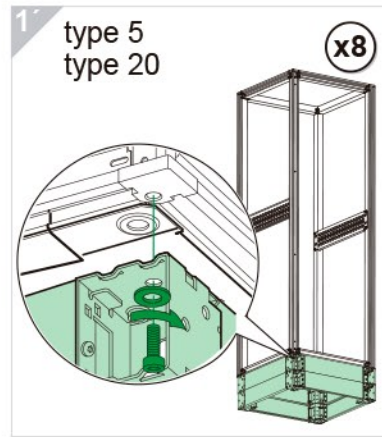
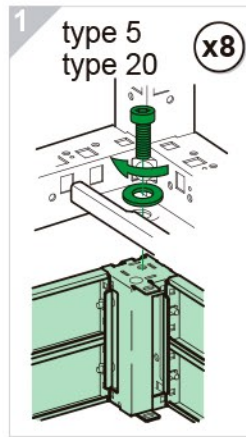


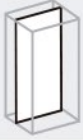


NSYSPFxx200
NSYSPSxx200
H = 200 mm
H = 7.87 in



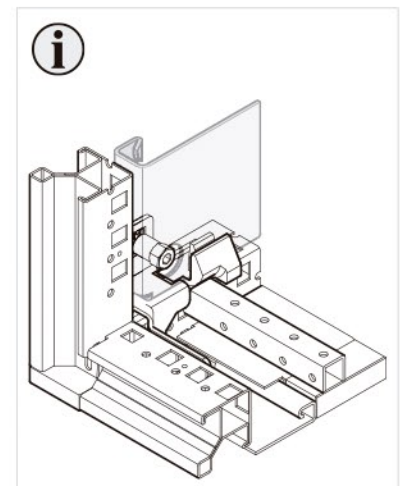
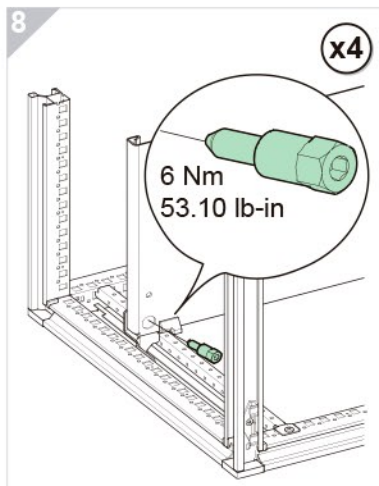
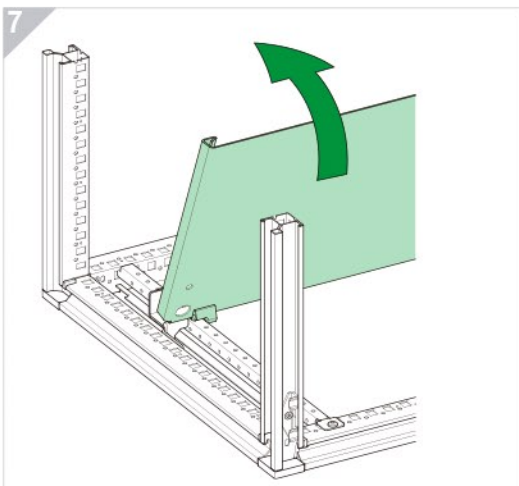
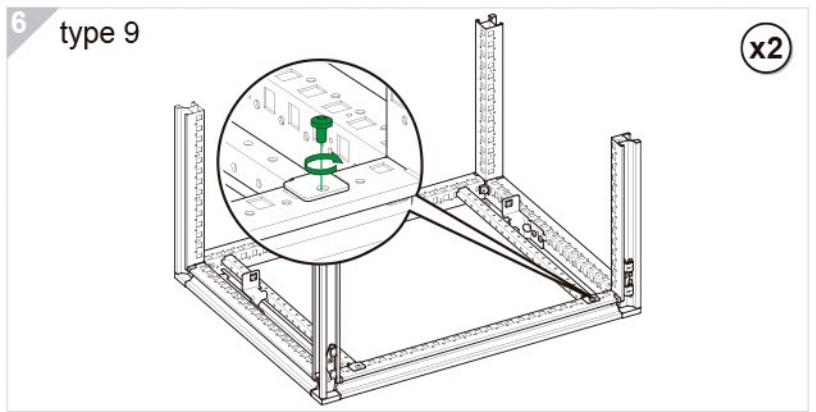
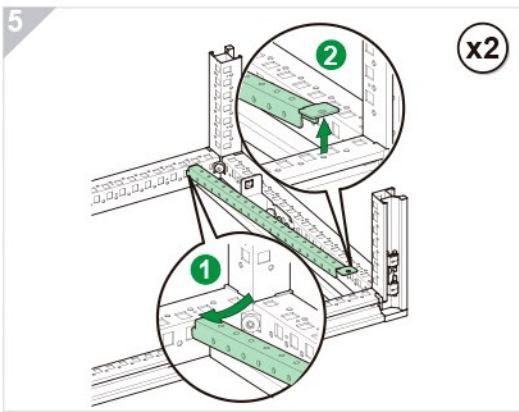
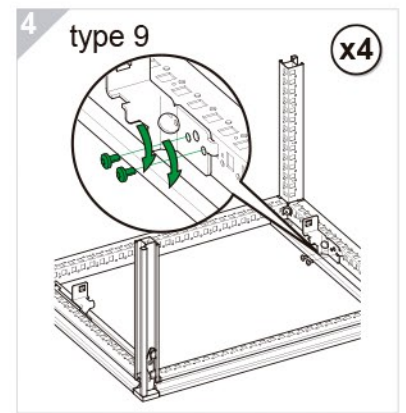
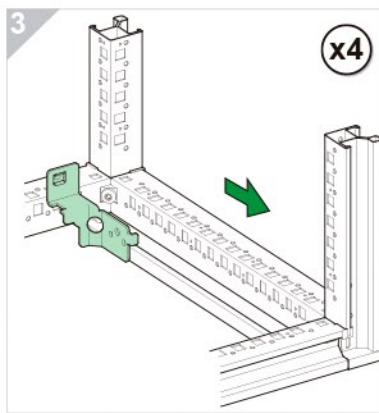
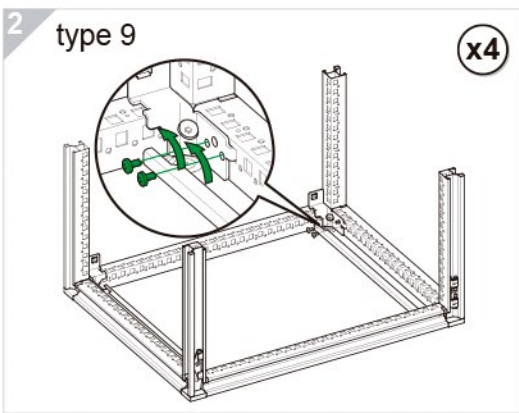
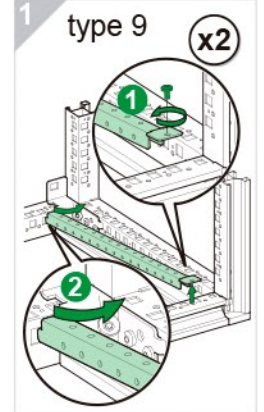
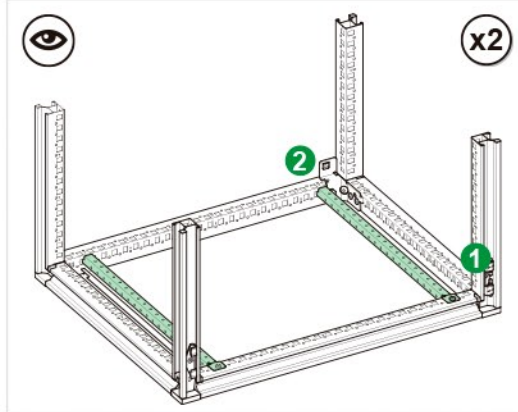
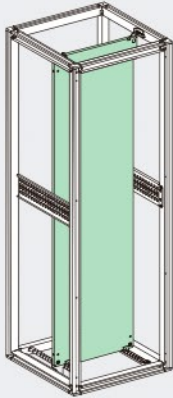
p. 16





NSYMPxx

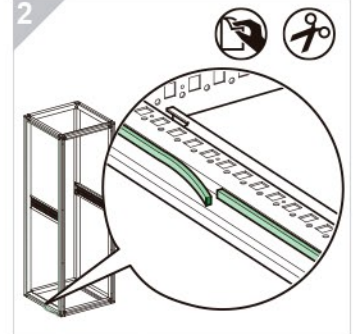
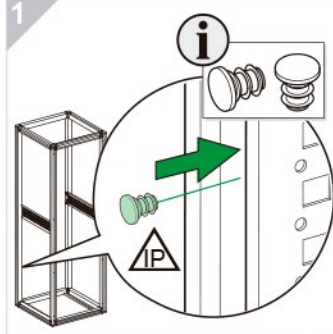
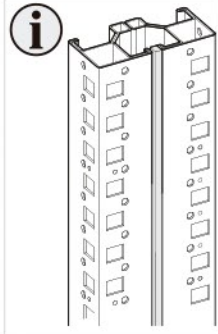
A



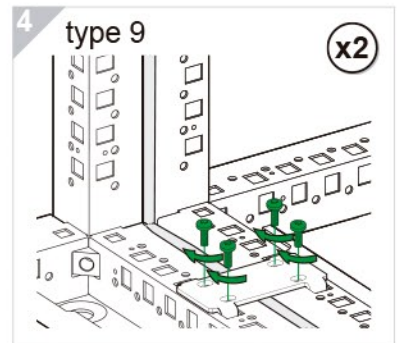
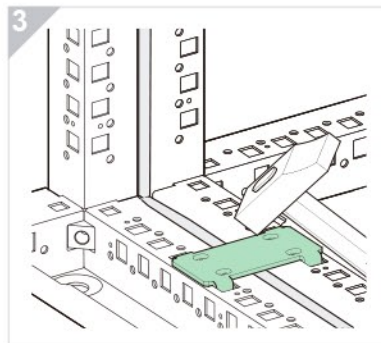
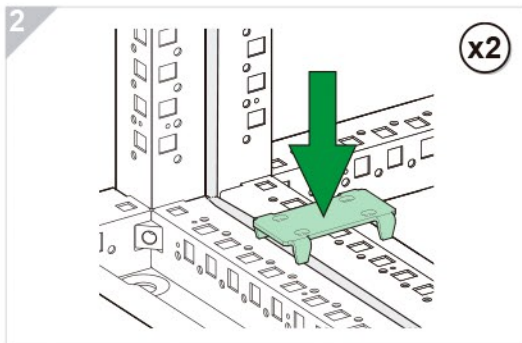
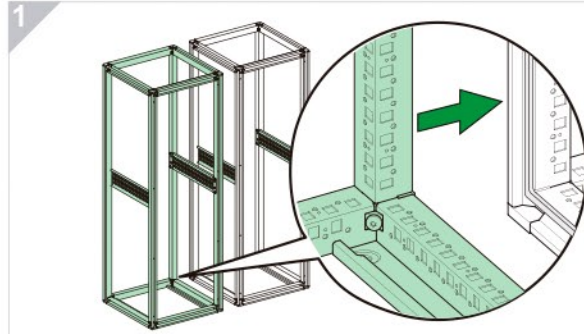


NSYSFBK

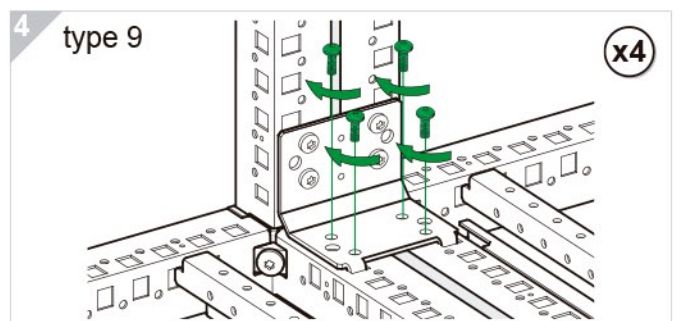
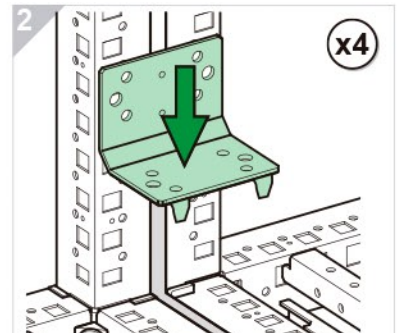
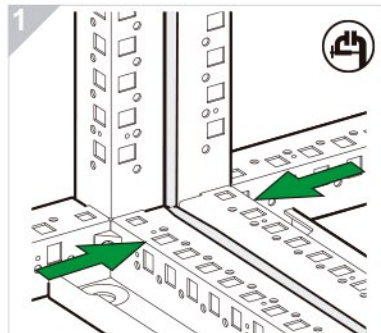
A



B



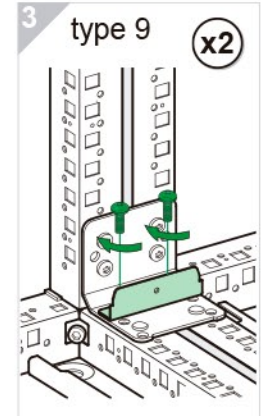
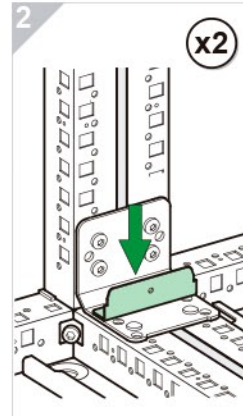
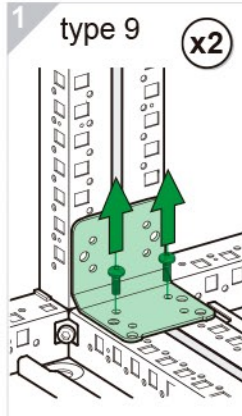
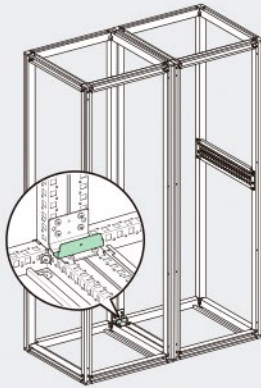
C



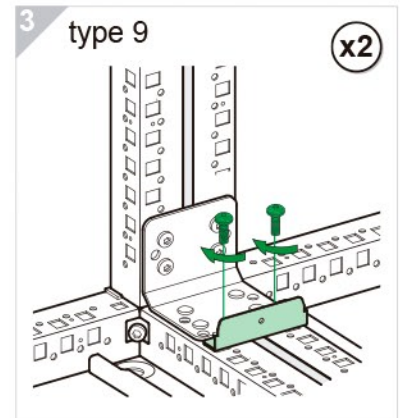
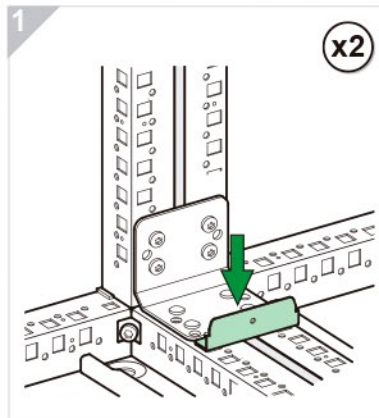
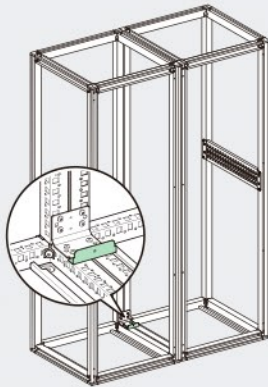


NSYSIMPxx

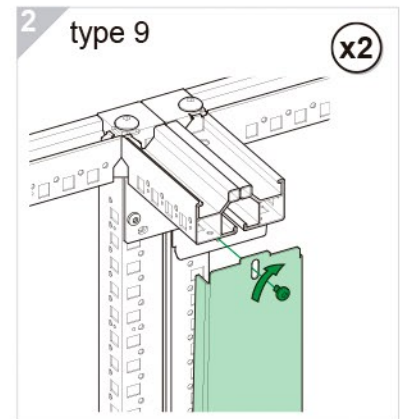
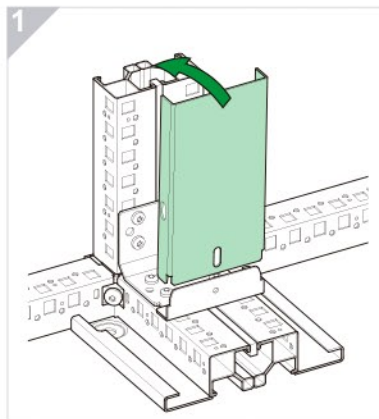
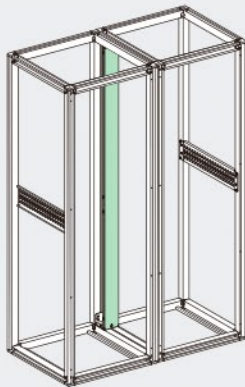
A



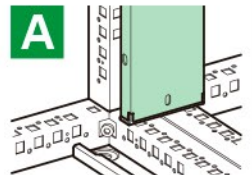
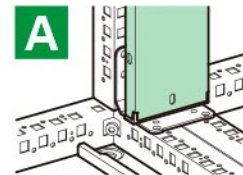
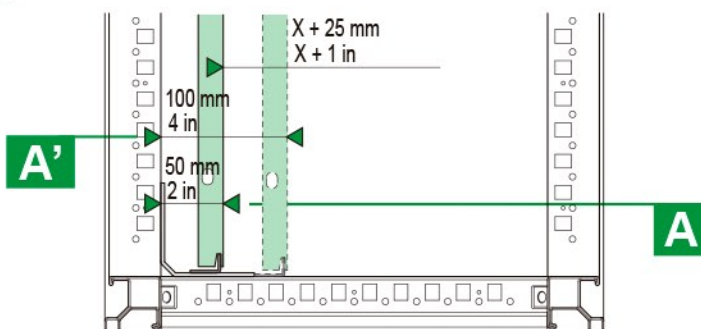
A'



B

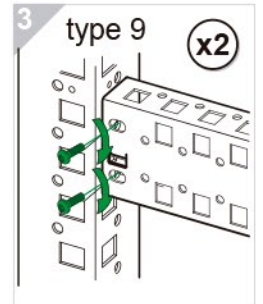
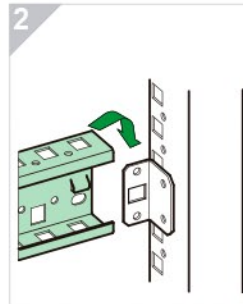
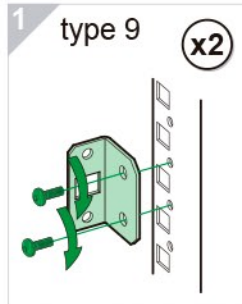
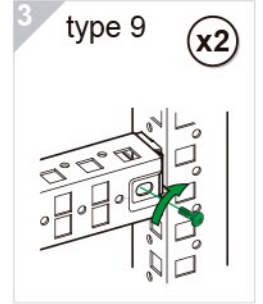
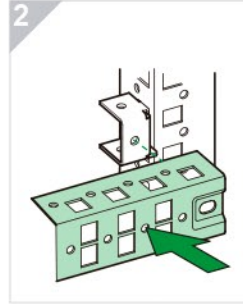
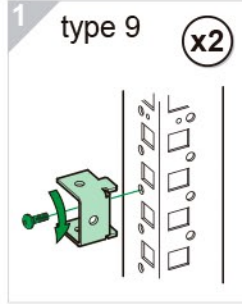
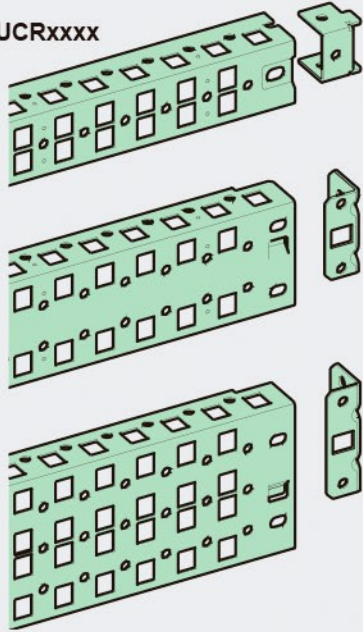


i

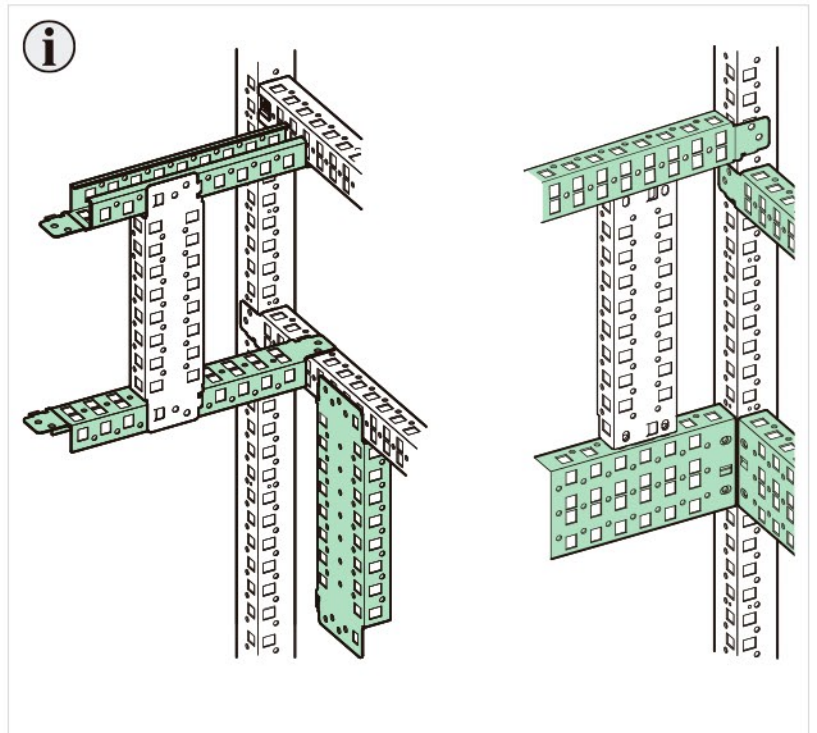
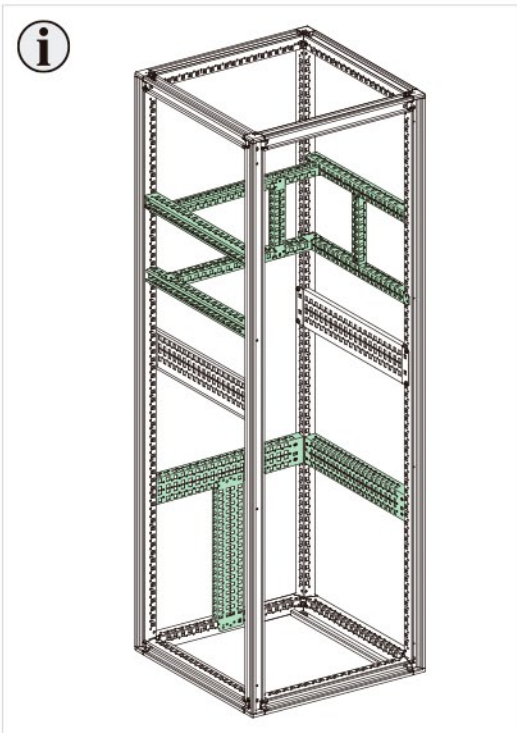
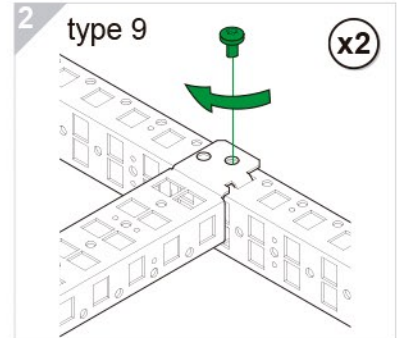
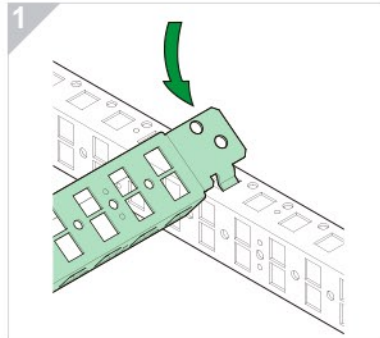
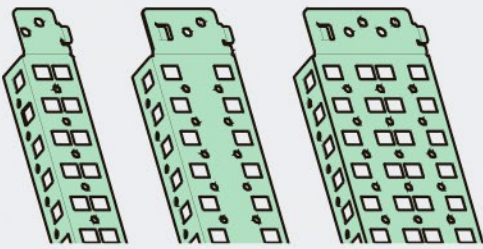




A NSYSUCRxxxx



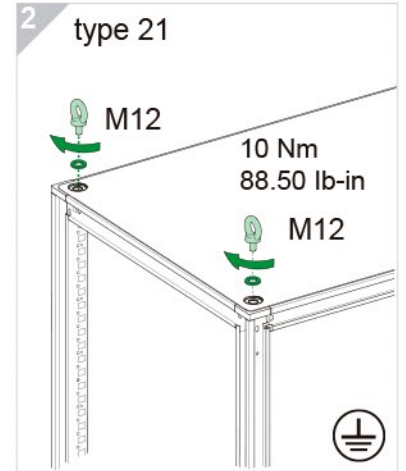
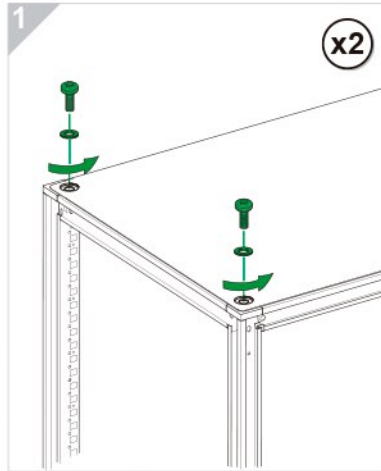
A NSYSQCRxxxx





NSYSFEB

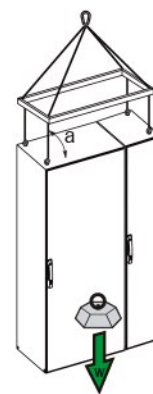
A



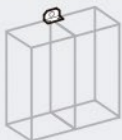
$a = 45^\circ$ $W < 580 \text{ kg} / 1277 \text{ lb}$
 $a = 60^\circ$ $W < 415 \text{ kg} / 914 \text{ lb}$
 $a = 90^\circ$ $W < 240 \text{ kg} / 528 \text{ lb}$



$a = 90^\circ$
 $W < 750 \text{ kg} / 1655 \text{ lb}$

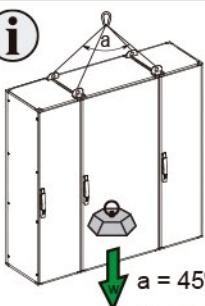
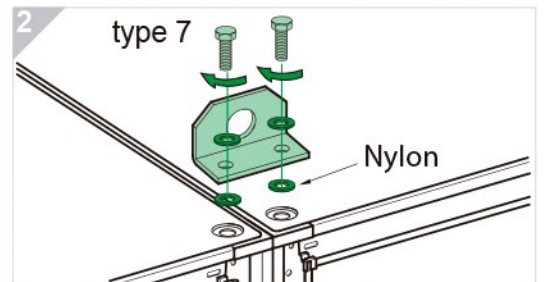
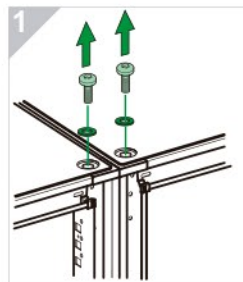


$a = 90^\circ$
 $W < 1360 \text{ kg} / 2998 \text{ lb}$



NSYSFELB

A



$a = 45^\circ$ $W < 2800 \text{ kg} / 6173 \text{ lb}$
 $a = 60^\circ$ $W < 2000 \text{ kg} / 4410 \text{ lb}$
 $a = 90^\circ$ $W < 1100 \text{ kg} / 2425 \text{ lb}$



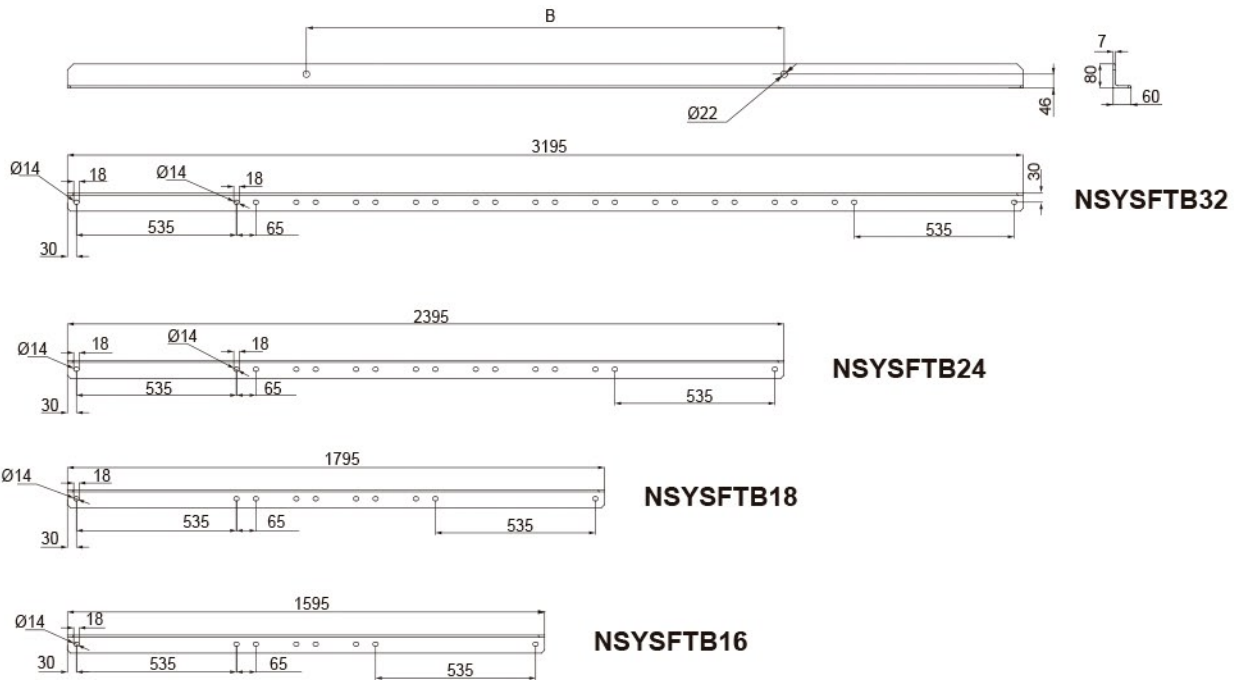
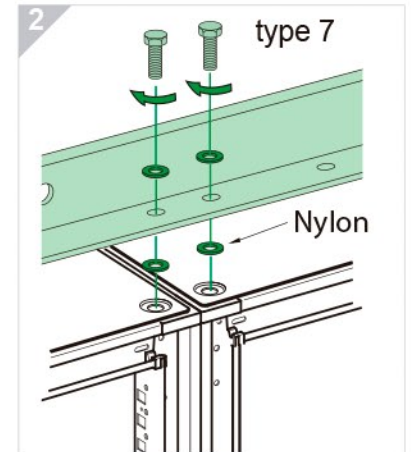
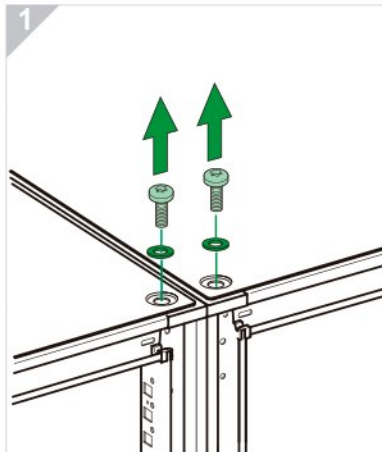
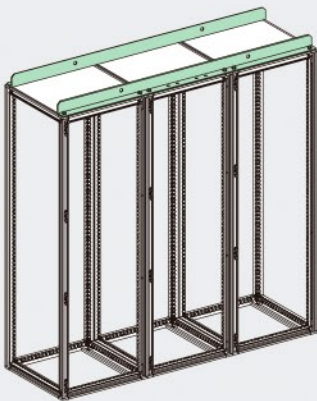
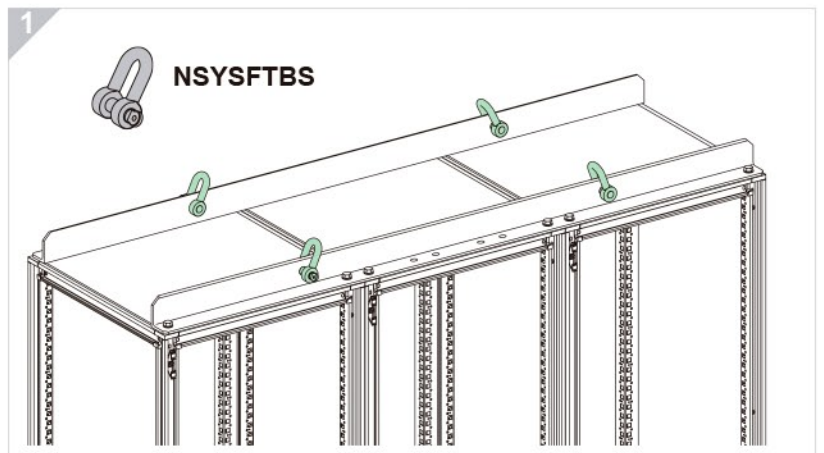
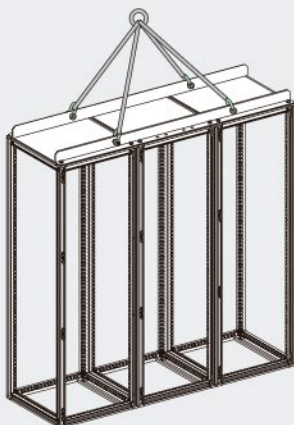
$a = 90^\circ$
 $W < 3000 \text{ kg} / 6614 \text{ lb}$

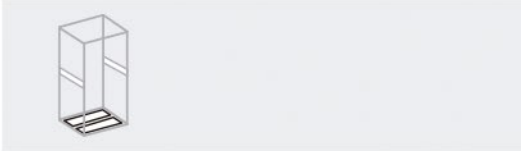


$a = 90^\circ$
 $W < 1500 \text{ kg} / 3307 \text{ lb}$

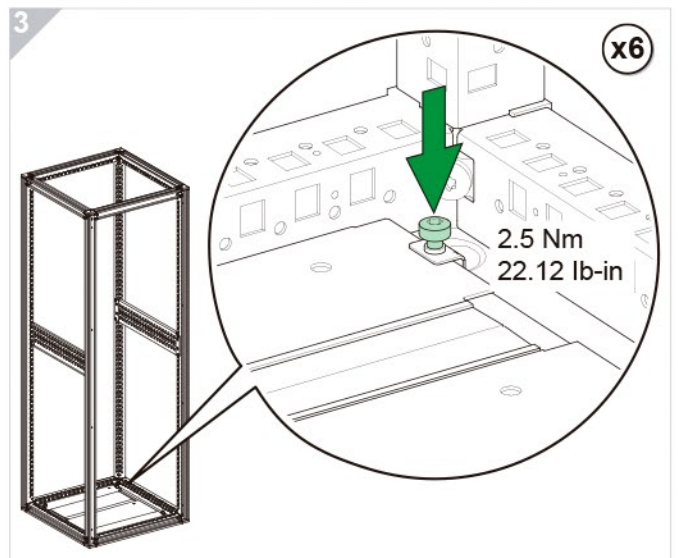
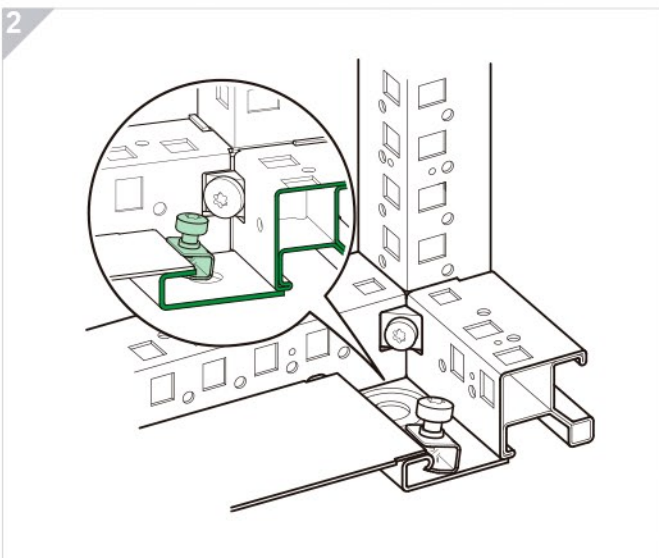
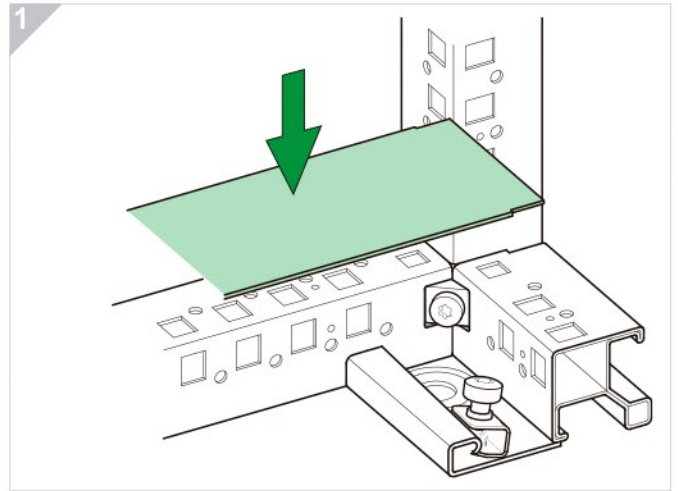
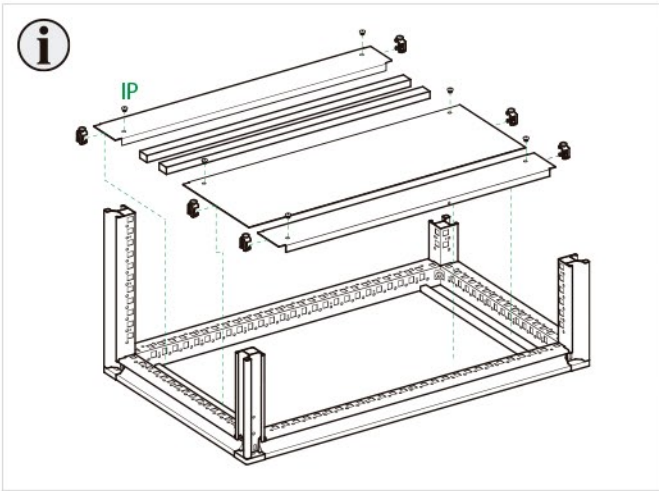
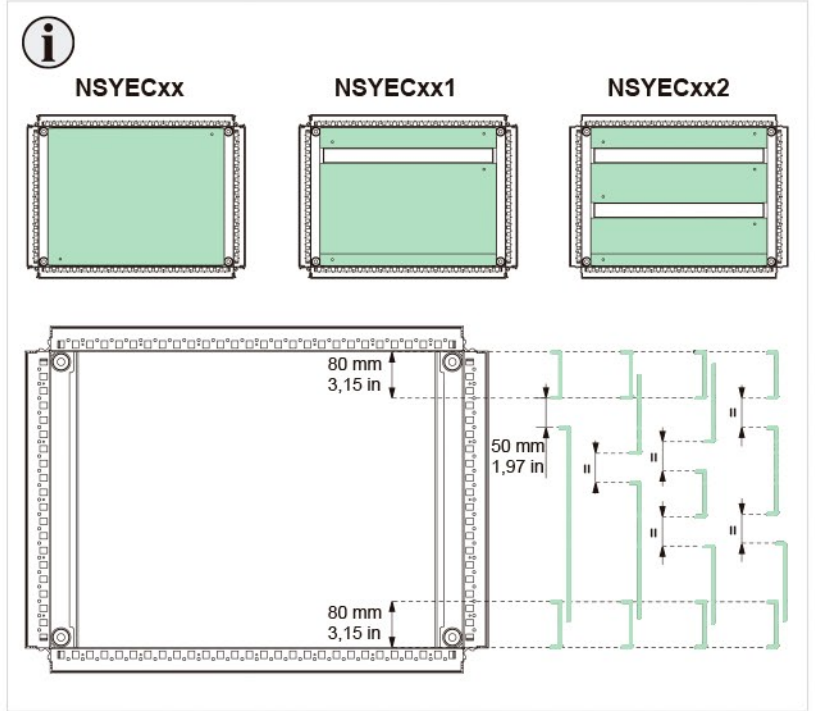
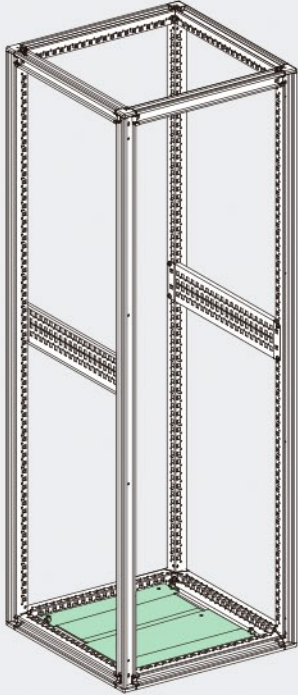


Reference	Length (mm)	Maximum load (kg)	B (mm)	Maximum amount of assembled enclosures to be lifted
NSYSFTB16	1595	2000	800	2
NSYSFTB18	1795	3000	900	3
NSYSFTB24	2395	3000	1200	4
NSYSFTB32	3195	4000	1600	5

**A****B**



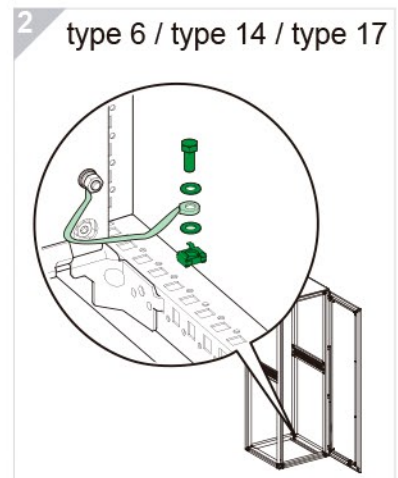
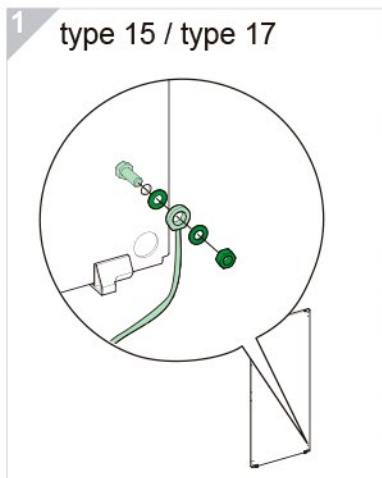
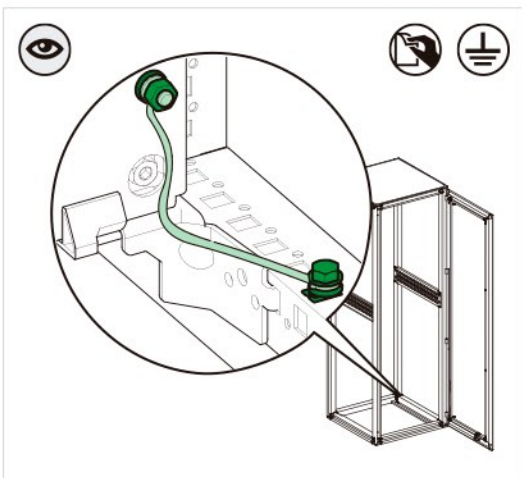
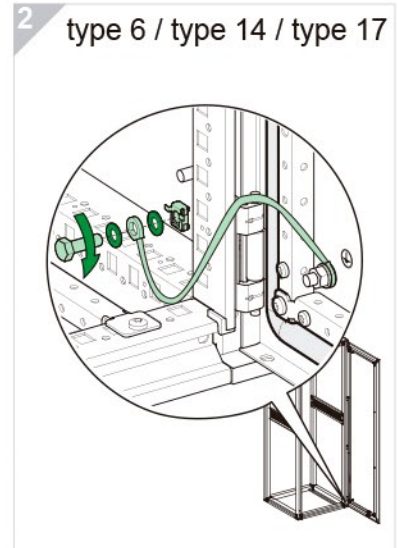
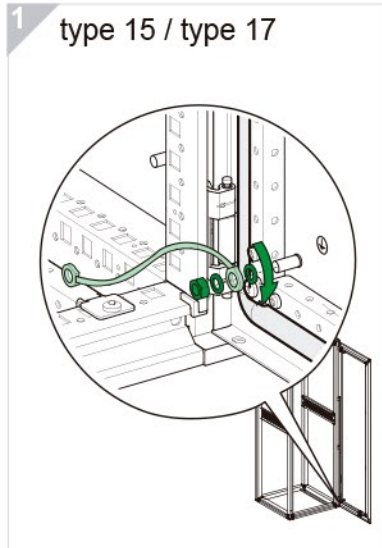
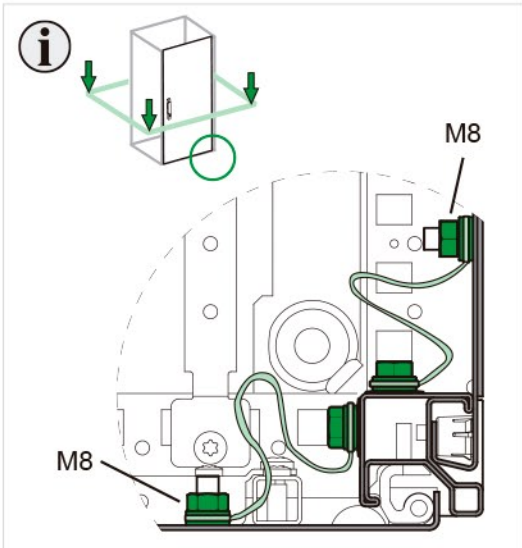
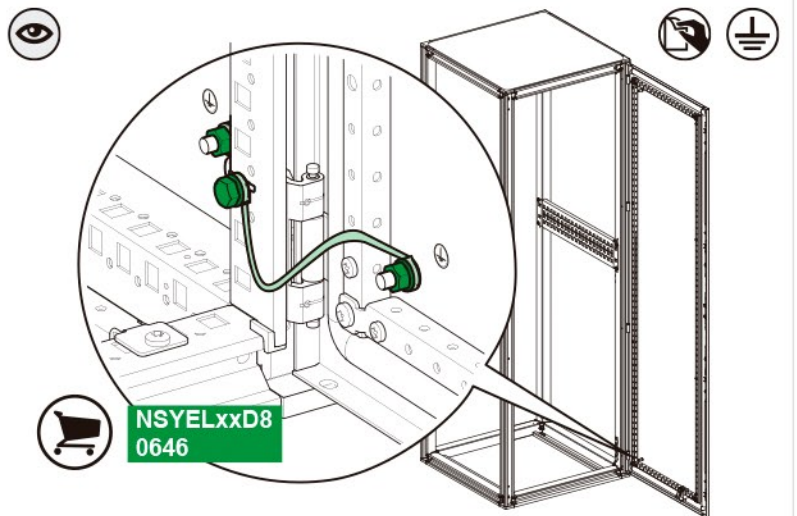
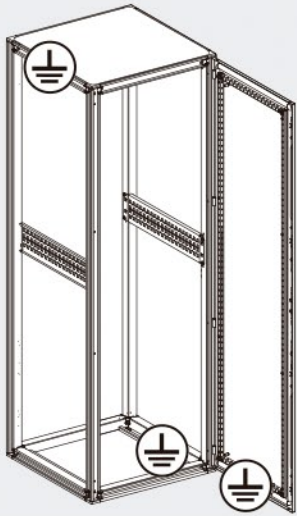
A

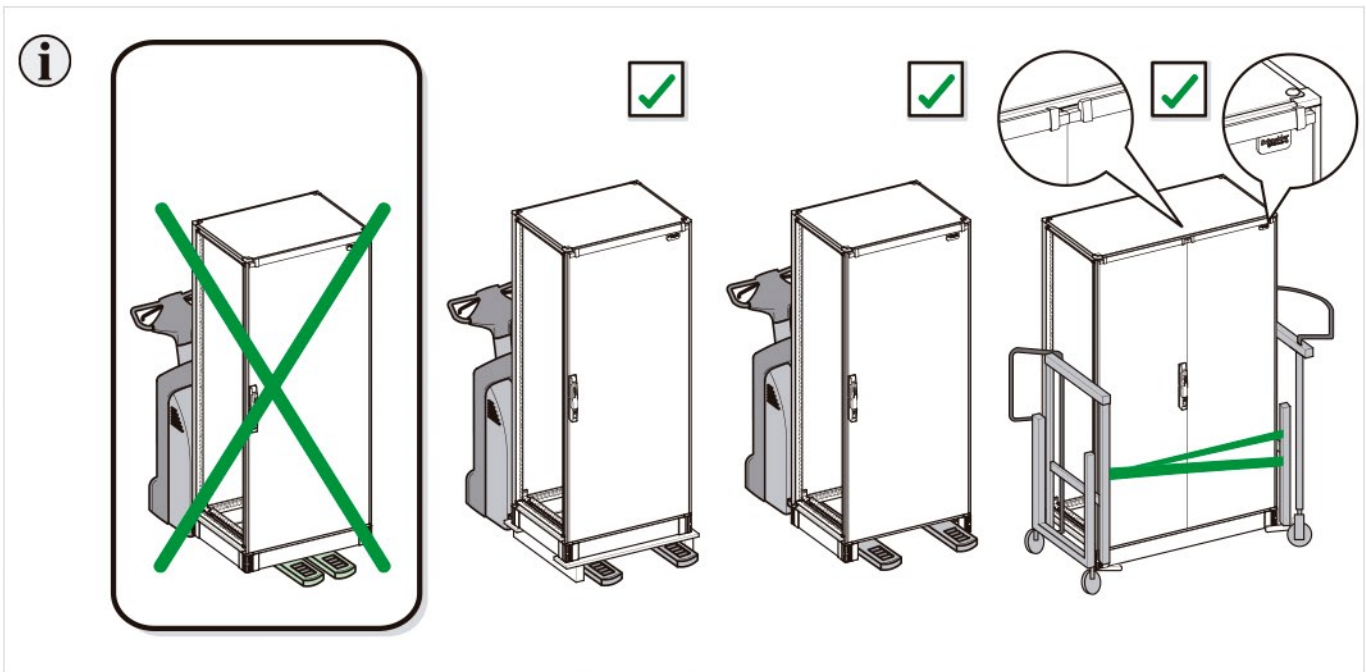
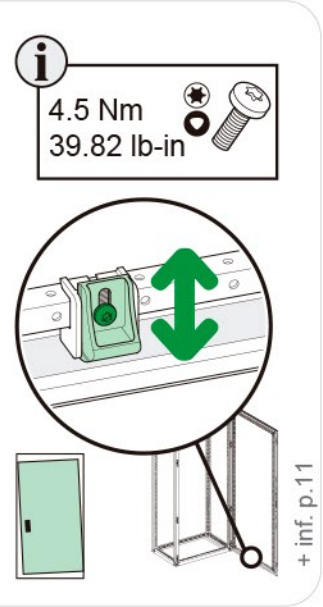
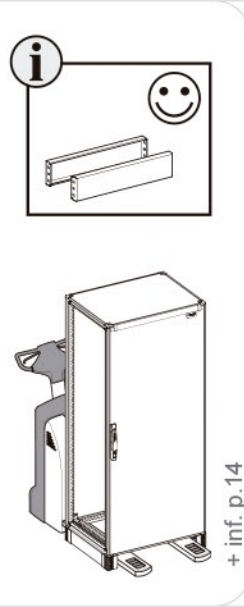
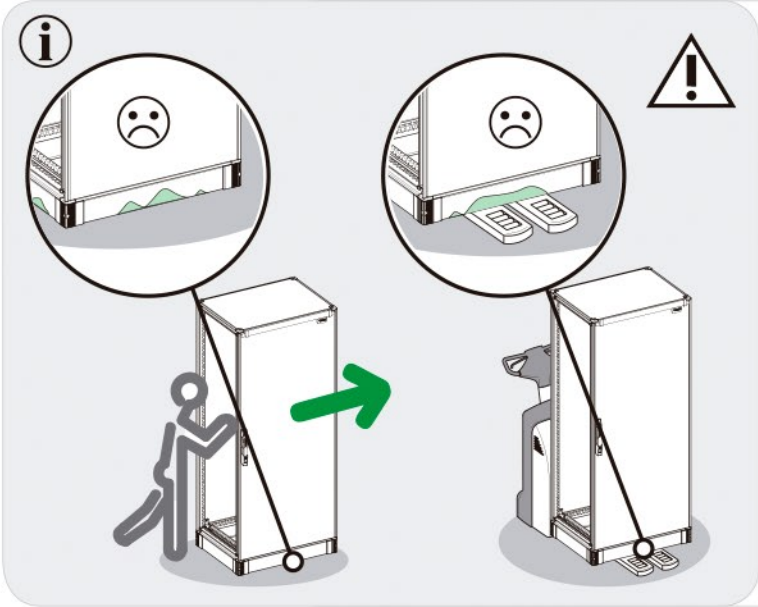




NSYELxxD8
0646

A





Schneider Electric Industries SAS

35, rue Joseph Monier
CS 30323
F- 92506 Rueil Malmaison Cedex

RCS Nanterre 954 503 439
Capital social 896 313 776 €
www.schneider-electric.com

7314010001-15

© 2017 - Schneider Electric - All rights reserved.

En raison de l'évolution des normes et du matériel, les caractéristiques indiquées par les textes et les images de ce document ne nous engagent qu'après confirmation par nos services.

As standards, specifications and designs change from time to time, please ask for confirmation of the information given in this publication.

Publication : Schneider Electric
Réalisation : Schneider Electric
Impression :



*Ce document a été imprimé sur du papier écologique.
This document has been printed on ecological paper.*