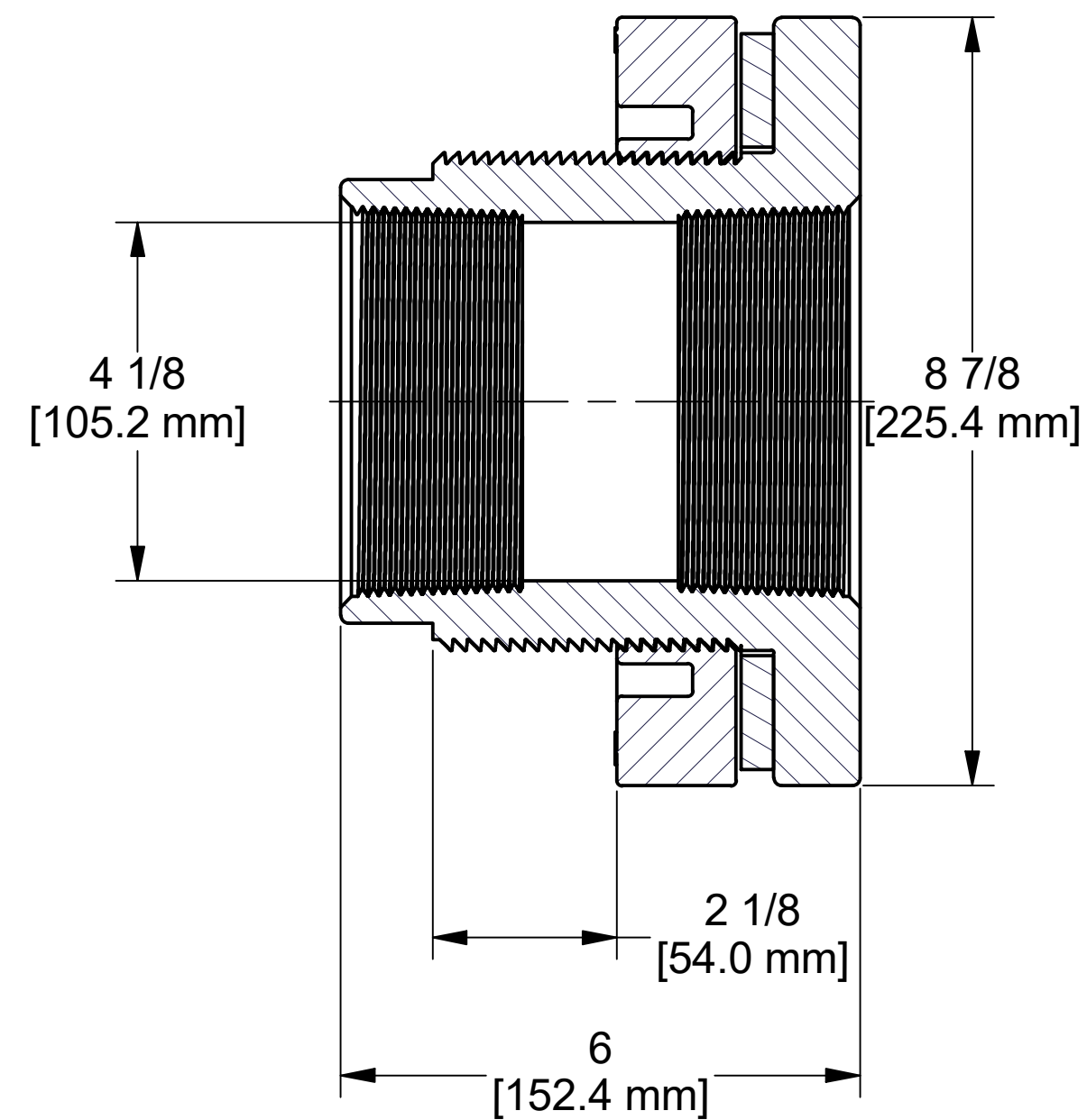
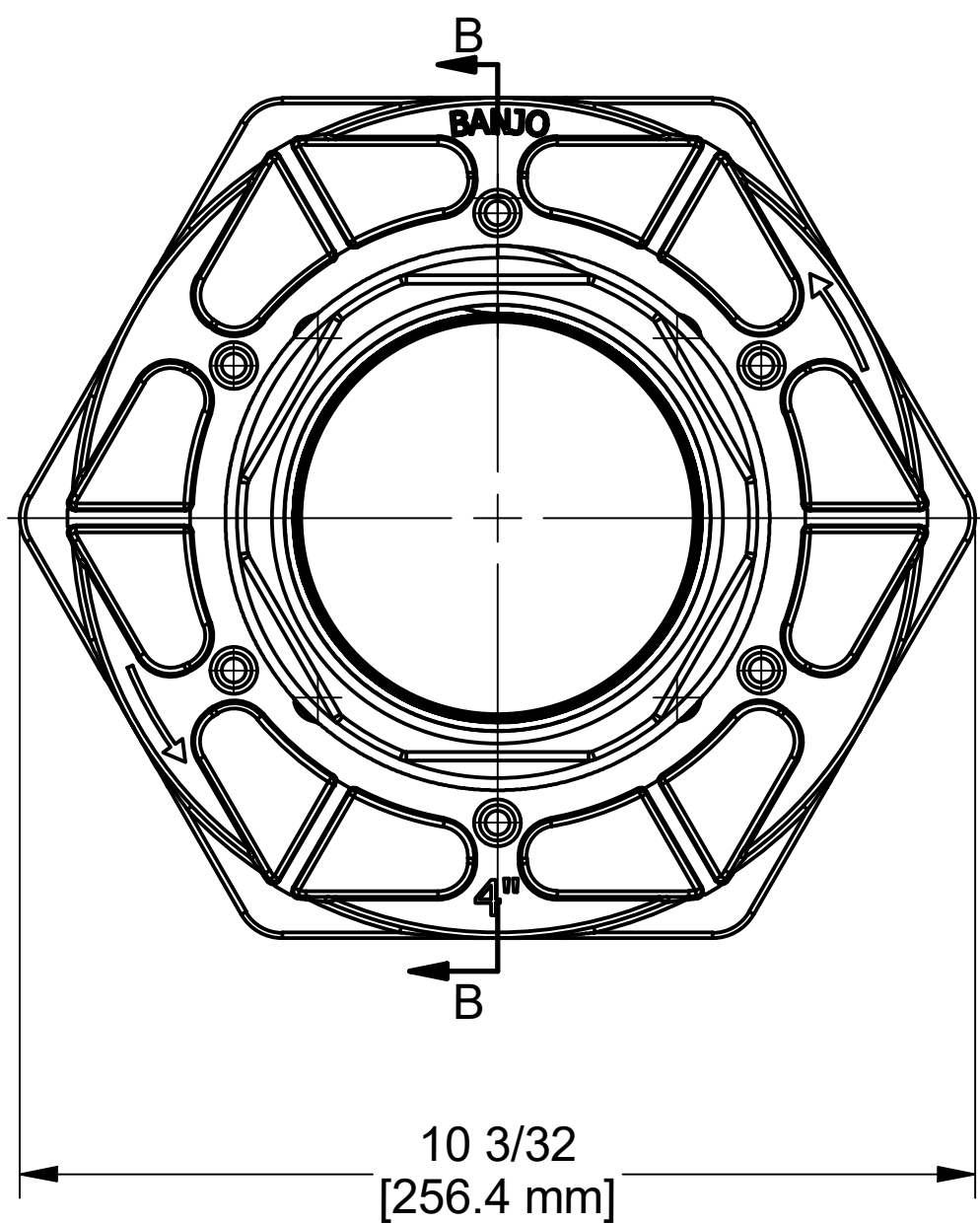
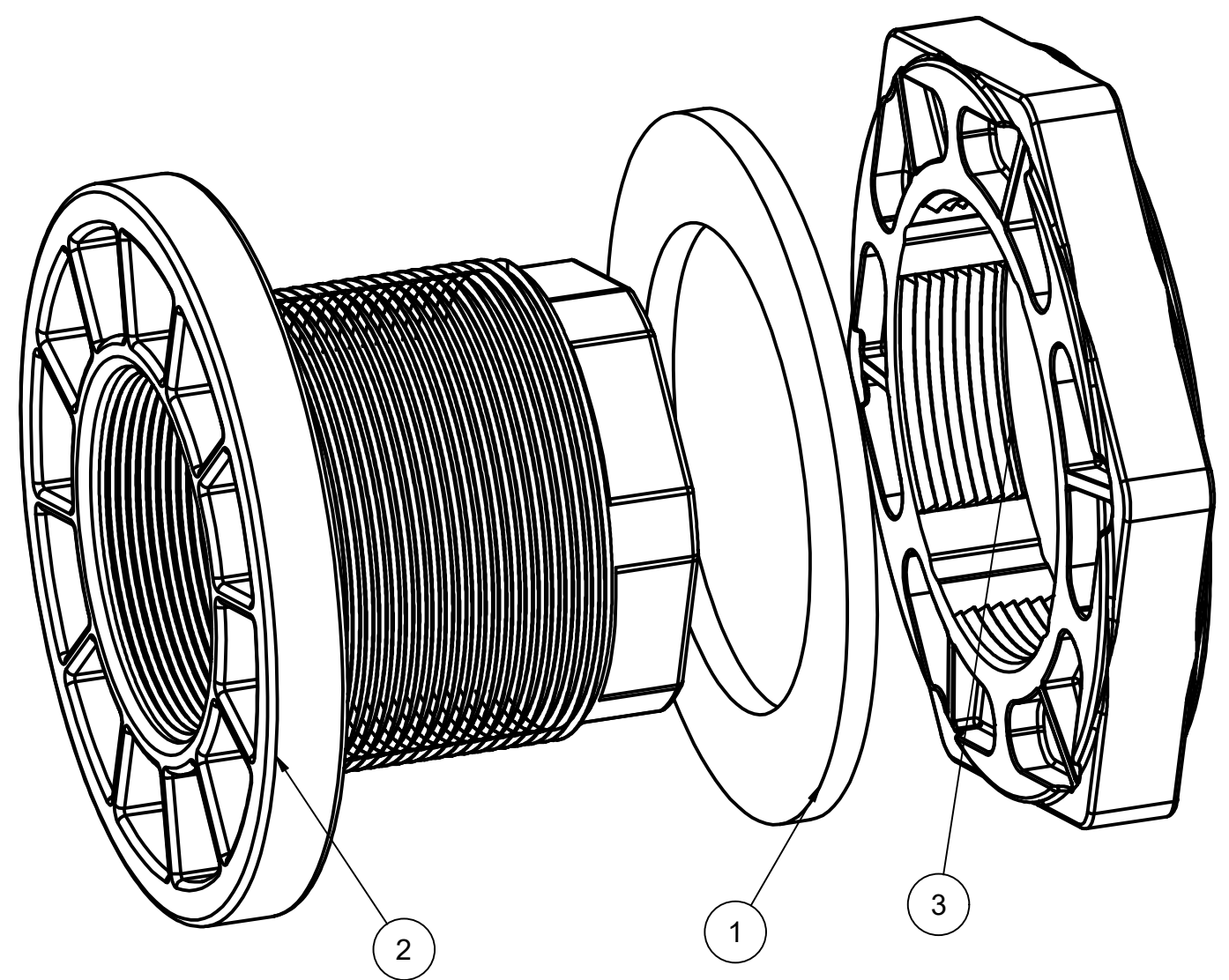
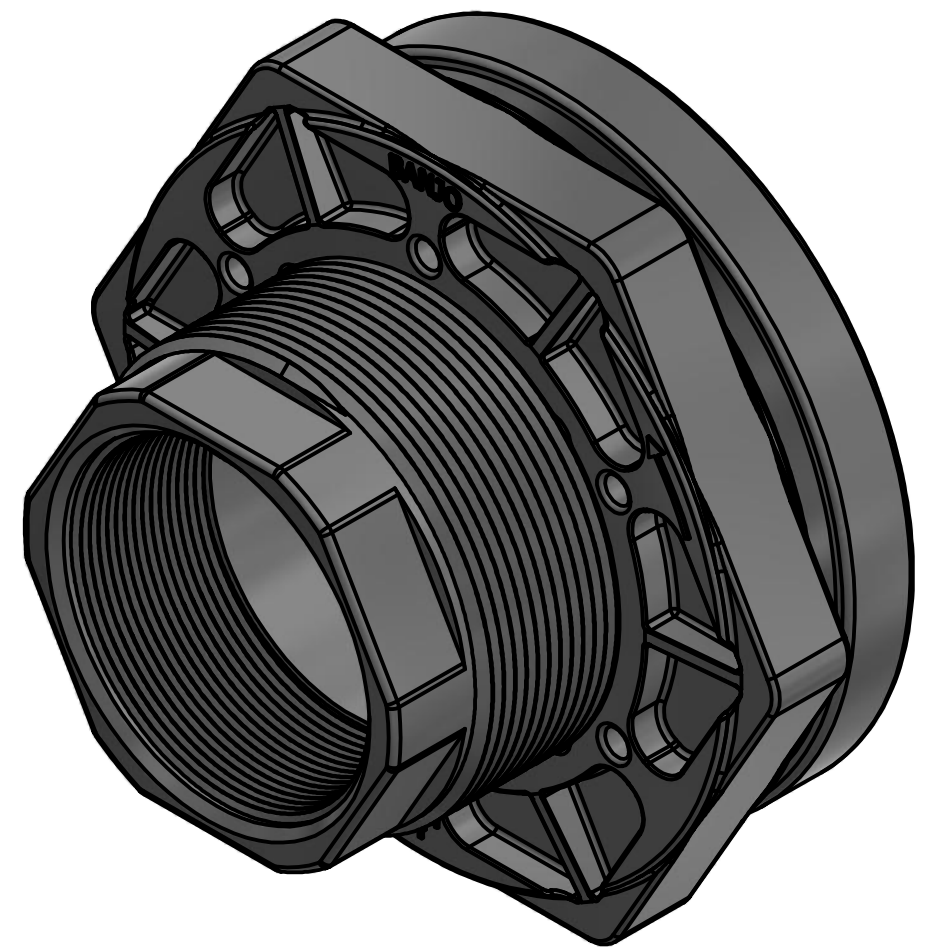


PARTS LIST			
ITEM	QTY	PART NUMBER	DESCRIPTION
1	1	TF400G	4" TANK FLANGE GASKET
2	1	TF401	4" TANK FLANGE BODY
3	1	TF403	4" TANK FLANGE NUT




SECTION B-B  
SCALE 1 : 2



THIS DRAWING AND ALL INFORMATION CONTAINED THEREON ARE THE EXCLUSIVE PROPERTY OF BANJO CORPORATION.

UNLESS SPECIFICALLY NOTED, THIS DRAWING AND ITEMS SHOWN ON THIS DRAWING ARE SUBJECT TO CHANGE AT ANY TIME.



**BANJO**  
CORPORATION

BANJO CORPORATION  
150 BANJO DRIVE, CRAWFORDSVILLE, IN 47933  
WEB SITE: WWW.BANJOCORP.COM  
E-MAIL: BANJOSALES@IDEXCORP.COM

DESCRIPTION	4" POLY TANK FLANGE ASSY
PART NUMBER	TF400

