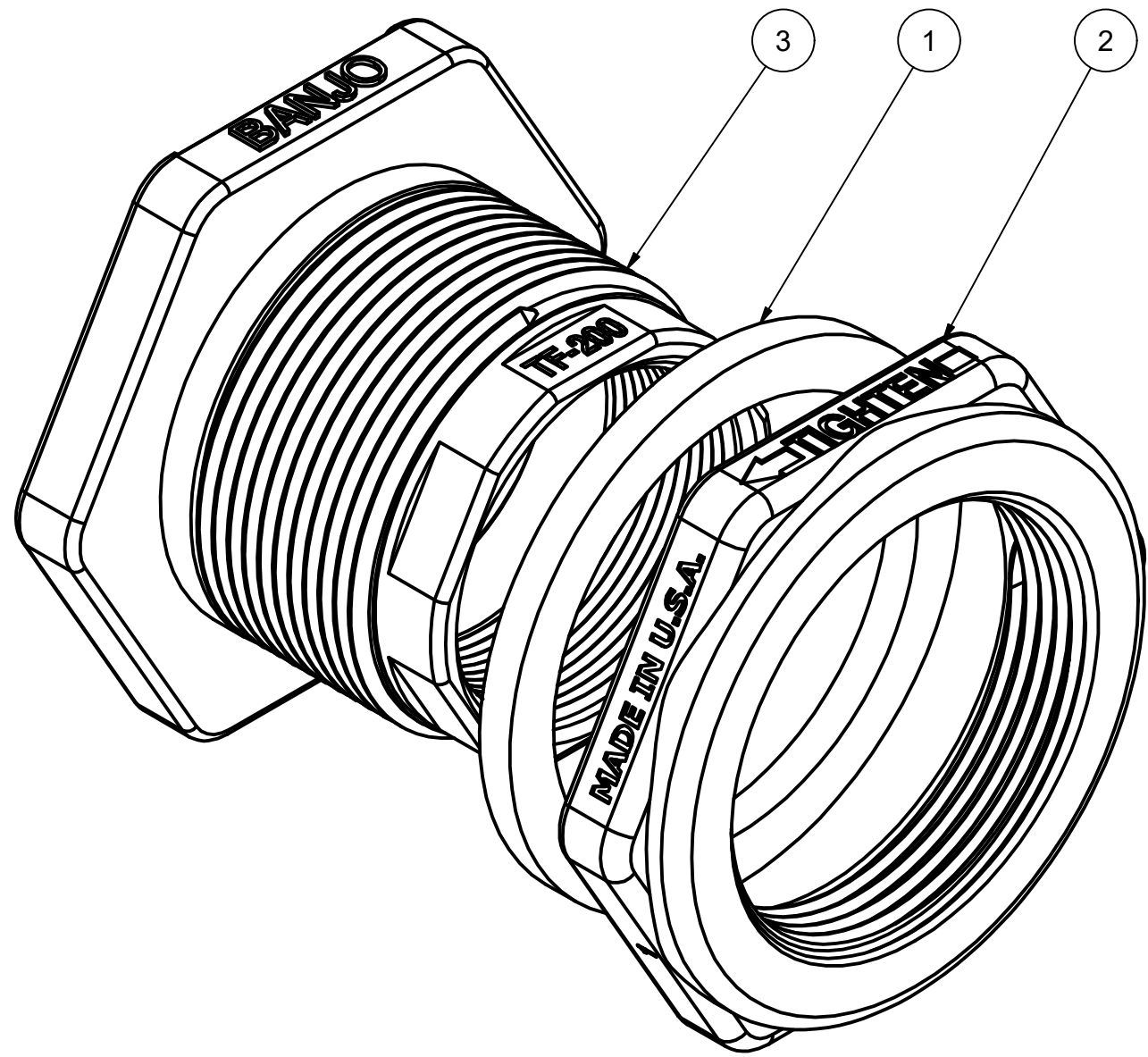


PARTS LIST			
ITEM	QTY	PART NUMBER	DESCRIPTION
1	1	300GV	3" COUPLING GASKET, FKM
2	1	TF153	1 1/2" TANK FLANGE NUT, MACHINED
3	1	TF201	2" TANK FLANGE BODY



THIS DRAWING AND ALL INFORMATION CONTAINED THEREON ARE THE EXCLUSIVE PROPERTY OF BANJO CORPORATION.

UNLESS SPECIFICALLY NOTED, THIS DRAWING AND ITEMS SHOWN ON THIS DRAWING ARE SUBJECT TO CHANGE AT ANY TIME.

BANJO CORPORATION
 150 BANJO DRIVE, CRAWFORDSVILLE, IN 47933
 WEB SITE: WWW.BANJOCORP.COM
 E-MAIL: BANJOSALES@IDEXCORP.COM

DESCRIPTION
 2" POLY BULKHEAD FTNG-FKM

PART NUMBER
 TF200V