

4

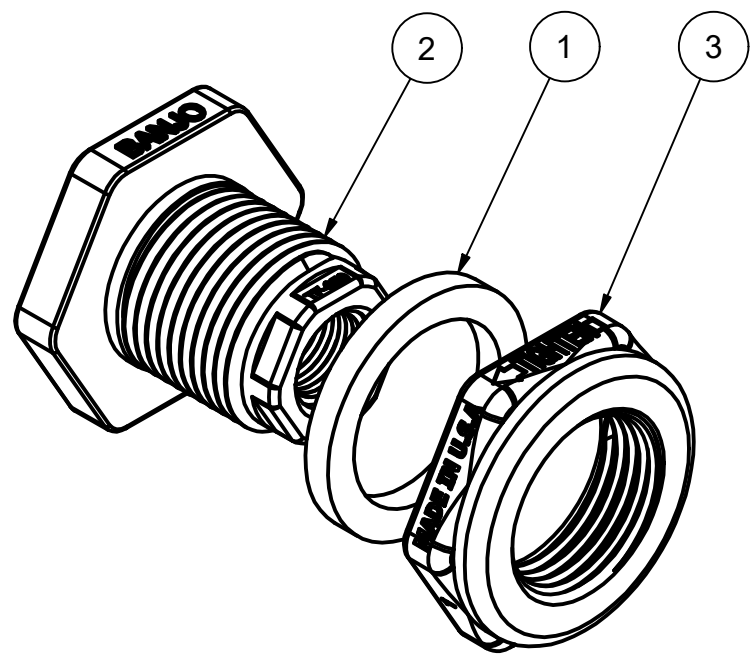
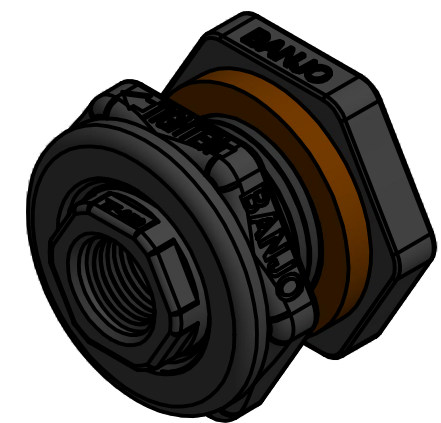
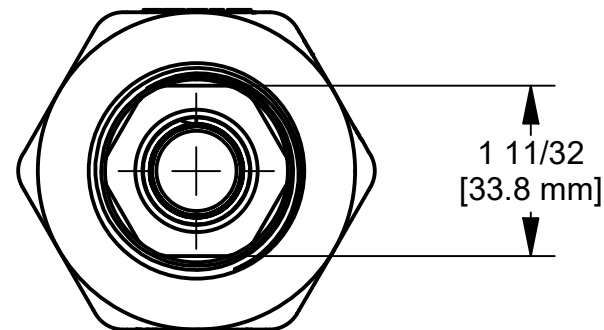
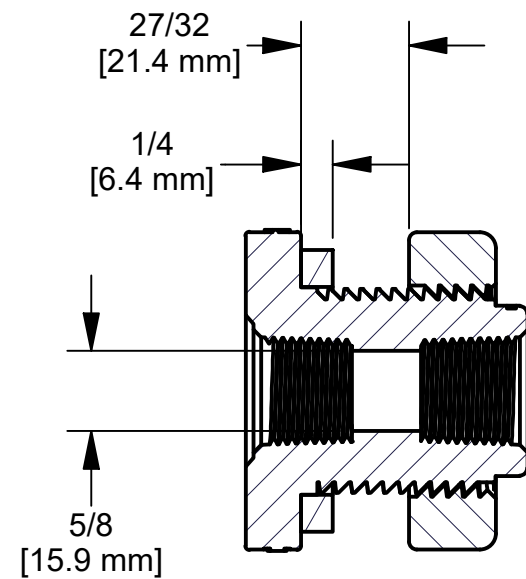
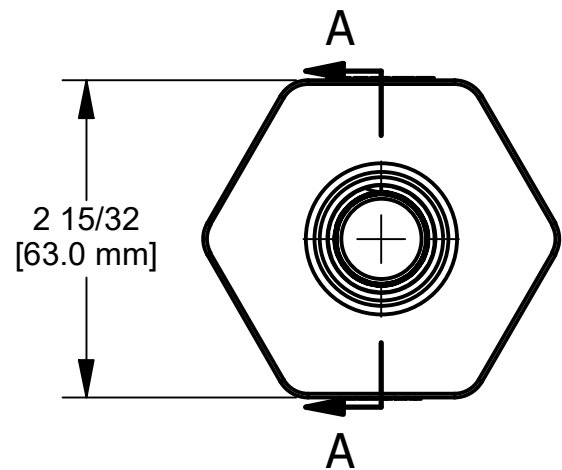
3

2

1

PARTS LIST

ITEM	QTY	PART NUMBER	DESCRIPTION
1	1	150GV	1-1/2" COUPLING GASKET, FKM
2	1	TF051	1/2" TANK FLANGE BODY
3	1	TF073	3/4" POLY TANK FLANGE NUT, MACHINED



THIS DRAWING AND ALL INFORMATION CONTAINED THEREON ARE THE EXCLUSIVE PROPERTY OF BANJO CORPORATION.

UNLESS SPECIFICALLY NOTED, THIS DRAWING AND ITEMS SHOWN ON THIS DRAWING ARE SUBJECT TO CHANGE AT ANY TIME.



BANJO CORPORATION
 150 BANJO DRIVE, CRAWFORDSVILLE, IN 47933
 WEB SITE: WWW.BANJOCORP.COM
 E-MAIL: BANJOSALES@IDEXCORP.COM

DESCRIPTION
 1/2" POLY BULKHEAD FITTING, FKM GASKET

PART NUMBER
 TF050V

4

3

2

1