



Vestil Manufacturing Corp.

2999 North Wayne Street, P.O. Box 507, Angola, IN 46703

Telephone: (260) 665-7586 -or- Toll Free (800) 348-0868

Fax: (260) 665-1339

www.vestilmfg.com e-mail: info@vestil.com

S-FORK HOISTING HOOK FORK TRUCK ATTACHMENT INSTRUCTION MANUAL



Receiving instructions:

After delivery, remove the packaging from the product. Inspect the product closely to determine whether it sustained damage during transport. If damage is discovered, record a complete description of it on the bill of lading. If the product is undamaged, discard the packaging.

NOTE:

The end-user is solely responsible for confirming that product design, installation, use, and maintenance comply with laws, regulations, codes, and mandatory standards applied where the product is used.

Table of Contents

Product Introduction	2
Signal Words	2
Safe Use Recommendations	2
S-FORK-4-RL & S-FORK-4-SL Exploded Parts Diagram and Bill of Materials.....	3
S-FORK-6-RL & S-FORK-6-SL Exploded Parts Diagram and Bill of Materials.....	4
Use Instructions.....	4
Inspections & Maintenance.....	5
Labeling diagram.....	6

Signal Words:

This manual uses SIGNAL WORDS to indicate the likelihood of personal injuries, as well as the probable seriousness of those injuries, if the product is misused in the ways described. Other signal words call attention to uses of the product likely cause property damage.



Identifies a hazardous situation which, if not avoided, WILL result in DEATH or SERIOUS INJURY. Use of this signal word is limited to the most extreme situations.



Identifies a hazardous situation which, if not avoided, COULD result in DEATH or SERIOUS INJURY.



Indicates a hazardous situation which, if not avoided, COULD result in MINOR or MODERATE injury



Identifies practices likely to result in product/property damage, such as operation that might damage the fork attachment (hoist hook).

Safe Use Recommendations:

Vestil strives to identify foreseeable hazards associated with the use of its products. However, material handling is dangerous and no manual can address every conceivable risk. The end-user ultimately is responsible for exercising sound judgment at all times.



Improper use might result in serious personal injuries. Therefore, EVERY PERSON who might use, perform maintenance on, or service the fork attachment must understand and apply all of the following recommendations:

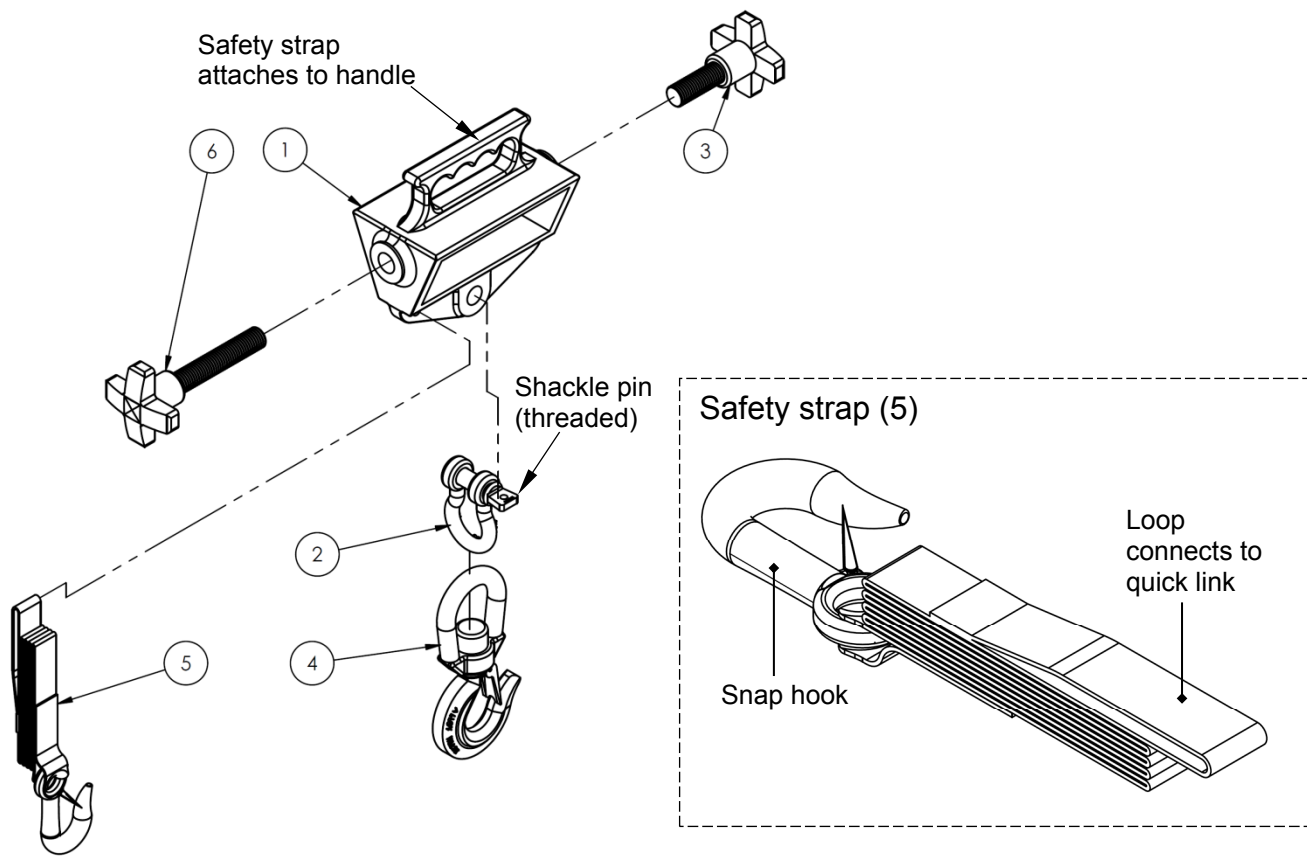
- DO NOT attempt to resolve any problem with the fork attachment unless: 1) you are authorized to do so; AND 2) you are *certain* that it will be safe to use afterwards.
- Always make sure that the shackle pin (see Exploded Parts Diagrams on pp. 3, 4) is secure before applying a load to the load hook. Tighten the pin before each use.
- DO NOT use the device unless it is in normal operating condition. Inspect and maintain the device as suggested in "Maintenance" on p. 5. DO NOT use the attachment until it is restored to normal condition.
- Attach rigging to the load and to the hook in a manner that minimizes load swing as the load is lifted off of the ground. Load swing could result in serious injuries.
- DO NOT leave an elevated load unattended. Lower the forks until the load is fully supported by the ground and disengage the load from the hook before leaving it unattended.
- DO NOT alter the device from its original configuration. Unauthorized modifications might make the fork attachment unsafe to use and automatically void the limited warranty.
- DO NOT use this fork attachment to lift a load that cannot be adequately stabilized when elevated. ALWAYS apply the relevant lifting practices applied at your worksite.
- DO NOT sit on or apply any weight/pressure to a suspended load.
- Account for the possibility of load swing by making sure that the load and rigging are oriented to prevent tipping, rolling, etc. when the load is lifted from the ground. Swinging motion could result in serious injuries.
- DO NOT attempt to lift a load that weighs more than the rated load of this forklift attachment, the rigging, OR the lift truck, *whichever is smallest*. ALWAYS make sure that the net weight applied to the fork attachment does not exceed the rated load of the attachment, rigging, OR the lift truck, *whichever is smallest*.
- DO NOT lift a load higher than necessary. (See "Use Instructions" on p. 5).
- DO NOT raise a load above people or allow anyone to stand or reach beneath a suspended load.
- NEVER use the device to lift a load over people or to lift any apparatus that supports people, e.g. a work platform. ONLY use the device to move material.



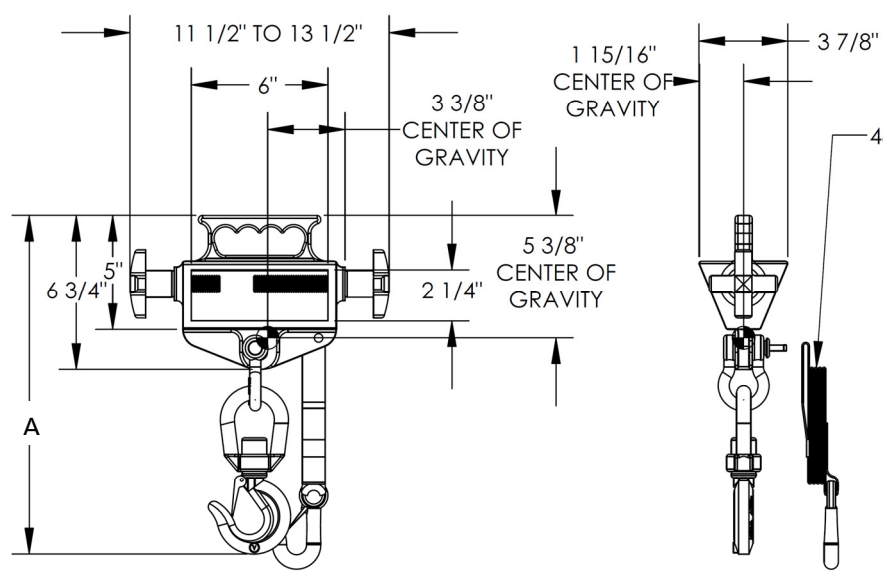
To maximize the service life of the fork attachment:

- Use only replacement parts supplied or approved by the manufacturer.
- ALWAYS store the device in a dry location.
- Maintain the product as suggested in "Maintenance" on p. 5.

S-FORK-4-RL & S-FORK-4-SL Exploded Parts Diagram and Bill of Materials

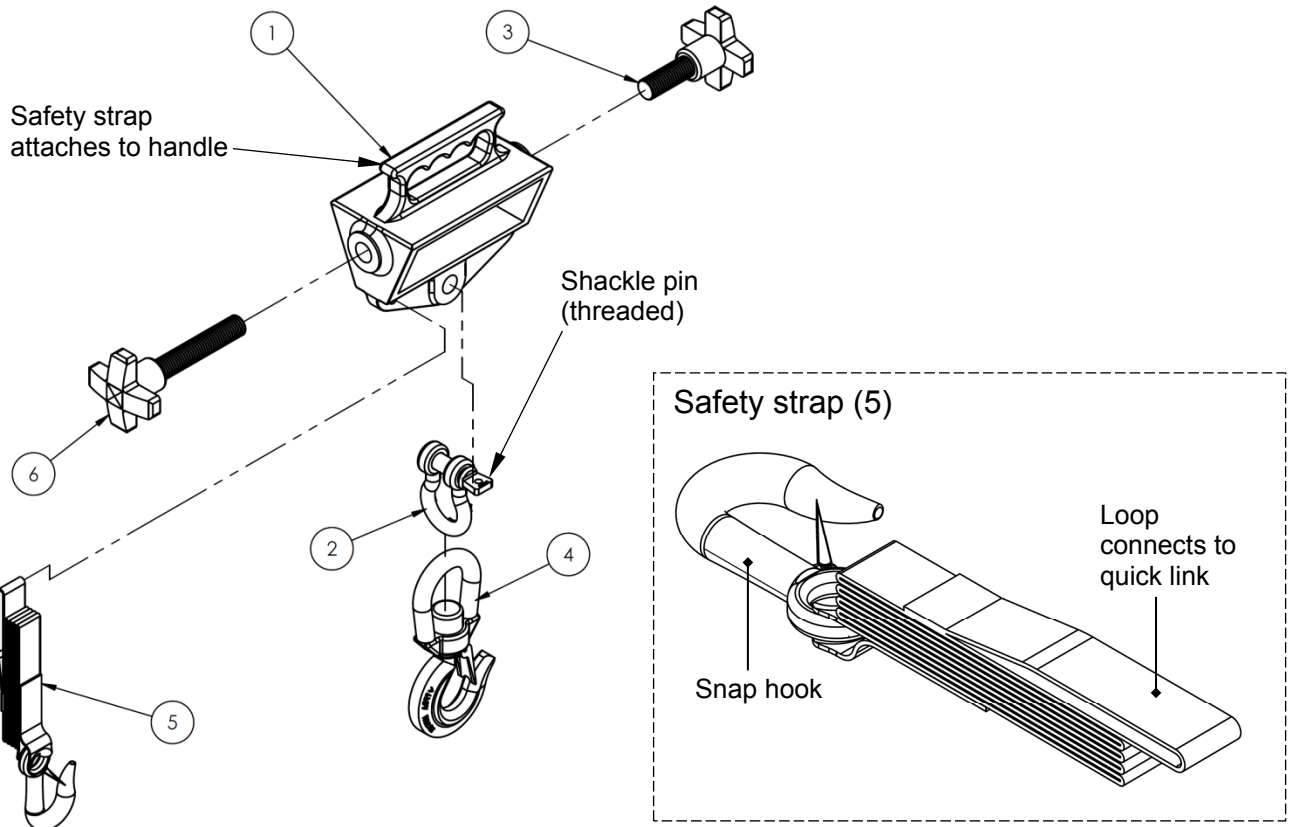


Item	Part No.	Description	Quantity
1	08-028-098	Fork tube casting	1
2	08-145-010	Bow Shackle: 2-ton maximum rated load Shackle pin	1
3	08-025-004	X-handle locking bolt	1
4	08-145-039 08-145-001	Specialty hardware, swivel hook, 2-ton: S-FORK-4-RL (rigid hook) S-FORK-4-SL (swivel hook)	1
5	08-145-028	Fork attachment restraint strap	1
6	08-025-008	4-handle bolt, 4"	1

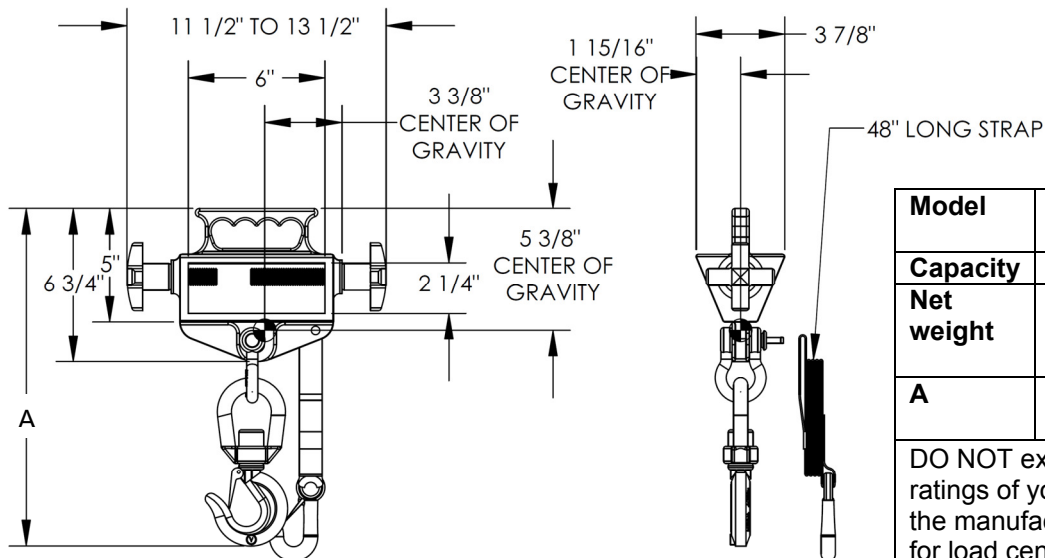


Model	S-FORK-4-RL S-FORK-4-SL
Capacity	4,000 lb.
Net weight	S-FORK-4-RL = 14.3 lb. S-FORK-4-SL = 14 lb.
A	13 1/2" (RL) 14 13/16" (SL)
DO NOT exceed load center ratings of your fork truck. Contact the manufacturer of your fork truck for load center information.	

S-FORK-6-RL & S-FORK-6-SL Exploded Parts Diagram and Bill of Materials



Item	Part No.	Description	Qty.
1	08-028-098	Fork tube casting	1
2	08-145-010	Bow Shackle: 2-ton maximum rated load Shackle pin	1
3	08-025-004	X-handle locking bolt	1
4	08-145-039 08-145-001	Specialty hardware, swivel hook, 2-ton: S-FORK-4-RL (rigid hook) S-FORK-4-SL (swivel hook)	1
5	08-145-028	Fork attachment restraint strap	1
6	08-025-008	4-handle bolt, 4"	1



Model	S-FORK-4-RL S-FORK-4-SL
Capacity	4,000 lb.
Net weight	S-FORK-4-RL = 14.3 lb. S-FORK-4-SL = 14 lb.
A	13 1/2" (RL) 14 13/16" (SL)
DO NOT exceed load center ratings of your fork truck. Contact the manufacturer of your fork truck for load center information.	

Use Instructions:

NOTE: Before putting this device into regular service, verify that it complies with all laws, regulations, codes, and standards applied to forklift attachments in the location where it is *used*.

Step 1: Perform the inspection described below in the section titled, "Maintenance" before installing the attachment.

Step 2: Slide the device over the end of a fork and position it where desired along the length of the fork. Tighten the fork locking bolts against the sides of the fork.

Step 3: Attach the safety strap to the carriage of the fork truck **WITHOUT** slack. Remove slack from the strap by pulling it taut. Attach the snap hook to the strap as shown. Wrap the strap around the fork/carriage as many times as necessary to remove slack. Verify that the S-Fork cannot slide off of the end of the fork.

Step 4: Connect the load to the load hook.

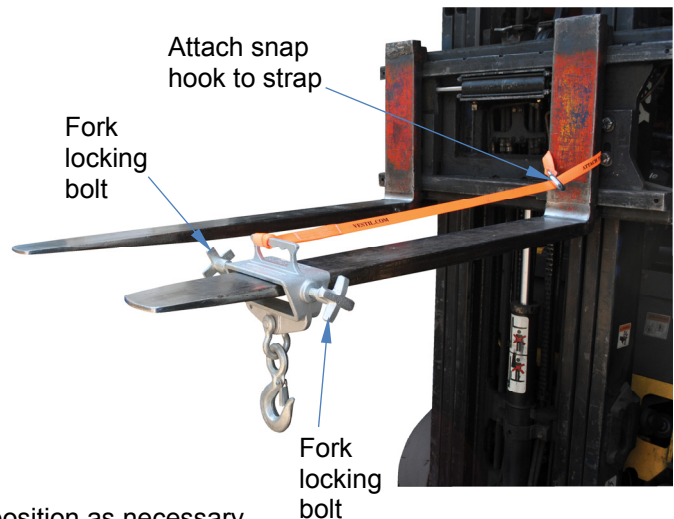
Position the S-FORK above the load and adjust the vertical position as necessary. Always apply proper rigging and lifting procedures. Make sure that the load and rigging are oriented to prevent tipping, rolling, swinging etc. when the load is lifted from the ground, because such load movement could result in serious injuries.

Step 5: Raise the forks sufficiently to elevate the load just a few inches above the ground to test the connection between the hook and the load. Verify that the connection is sound by observing the suspended load for a moment. Lower the load and reconfigure rigging if necessary. **DO NOT** attempt to lift and/or transport a load if a secure connection cannot be achieved. Instead, use a different lifting device.

Step 6: Carefully drive to the desired location and adjust the driving speed to minimize load swing.

- NOTES:**
- 1) The load will swing more significantly the greater the driving speed. Drive slowly to minimize load movement during transport.
 - 2) The load will tend to swing opposite the direction of a turn and will swing out in front of the forklift during braking. Apply the brakes gradually. Reduce speed during all turns to minimize the effect on the suspended load.

Step 7: Before lowering the load, make sure that it is not swinging or rotating. Set the load on a flat, level surface to prevent unintended/uncontrolled movement as the load settles. Slowly lower the forks until the load contacts the ground. Continue to lower the load to create slack in the rigging and then disconnect the rigging from the hook.



Maintenance:

Before using the lifter for the first time, make a written record of its appearance. Include observations about pivot points, the hooks and hook latches, threaded openings in the S-FORK body (for bolts), and the safety strap. This record establishes "normal condition". During future inspections, compare your observations to the written record to determine if the unit is in normal condition. **DO NOT** use the S-FORK unless it is in normal condition.

Visually examine the S-FORK before it is used for the first time, as well as prior to and during each lift. In particular, examine:

1. Load hook and shackle: make sure that the hook is not bent, cracked, etc. and that the contact point between the hook and shackle is not severely worn;
2. Fork locking bolts: confirm that both bolts are in normal condition. Both bolts should be securely retained in the threaded openings in the S-FORK body.
3. Safety strap and snap hook: confirm that the strap is not cut or frayed. The snap hook latch should recoil automatically and should not be twisted, loose, or broken.
4. Make a dated record of the repairs, adjustments and/or replacements made.

If replacement parts as necessary, only install manufacturer-approved replacements. Deformity, cracking, severe wear of the S-FORK body warrants immediate replacement of the entire unit.

LIMITED WARRANTY

Vestil Manufacturing Corporation ("Vestil") warrants this product to be free of defects in material and workmanship during the warranty period. *Our warranty obligation is to provide a replacement for a defective original part if the part is covered by the warranty, after we receive a proper request from the warrantee (you) for warranty service.*

Who may request service?

Only a warrantee may request service. *You are a warrantee if* you purchased the product from Vestil or from an authorized distributor AND Vestil has been fully paid.

What is an "original part"?

An original part is a part used to make the product as shipped to the warrantee.

What is a "proper request"?

A request for warranty service is proper if Vestil receives: 1) a photocopy of the Customer Invoice that displays the shipping date; AND 2) a written request for warranty service including your name and phone number. Send requests by any of the following methods:

<u>Mail</u>	<u>Fax</u>	<u>Email</u>
Vestil Manufacturing Corporation 2999 North Wayne Street, PO Box 507 Angola, IN 46703	(260) 665-1339 <u>Phone</u> (260) 665-7586	sales@vestil.com

In the written request, list the parts believed to be defective and include the address where replacements should be delivered.

What is covered under the warranty?

After Vestil receives your request for warranty service, an authorized representative will contact you to determine whether your claim is covered by the warranty. Before providing warranty service, Vestil may require you to send the entire product, or just the defective part or parts, to its facility in Angola, IN. The warranty covers defects in the following original dynamic components: motors, hydraulic pumps, electronic controllers, switches and cylinders. It also covers defects in original parts that wear under normal usage conditions ("wearing parts"), such as bearings, hoses, wheels, seals, brushes, and batteries.

How long is the warranty period?

The warranty period for original dynamic components is 90 days. For wearing parts, the warranty period is 90 days. The warranty periods begin on the date when Vestil ships the product to the warrantee. If the product was purchased from an authorized distributor, the periods begin when the distributor ships the product. Vestil may, at its sole discretion, extend the warranty periods for products shipped from authorized distributors by up to 30 days to account for shipping time.

If a defective part is covered by the warranty, what will Vestil do to correct the problem?

Vestil will provide an appropriate replacement for any covered part. An authorized representative of Vestil will contact you to discuss your claim.

What is not covered by the warranty?

1. Labor;
2. Freight;
3. Occurrence of any of the following, which automatically voids the warranty:
 - Product misuse;
 - Negligent operation or repair;
 - Corrosion or use in corrosive conditions;
 - Inadequate or improper maintenance;
 - Damage sustained during shipping;
 - Accidents involving the product;
 - Unauthorized modifications: DO NOT modify the product IN ANY WAY without first receiving written authorization from Vestil. Modification(s) might make the product unsafe to use or might cause excessive and/or abnormal wear.

Do any other warranties apply to the product?

Vestil Manufacturing Corp. makes no other express warranties. All implied warranties are disclaimed to the extent allowed by law. Any implied warranty not disclaimed is limited in scope to the terms of this Limited Warranty.

