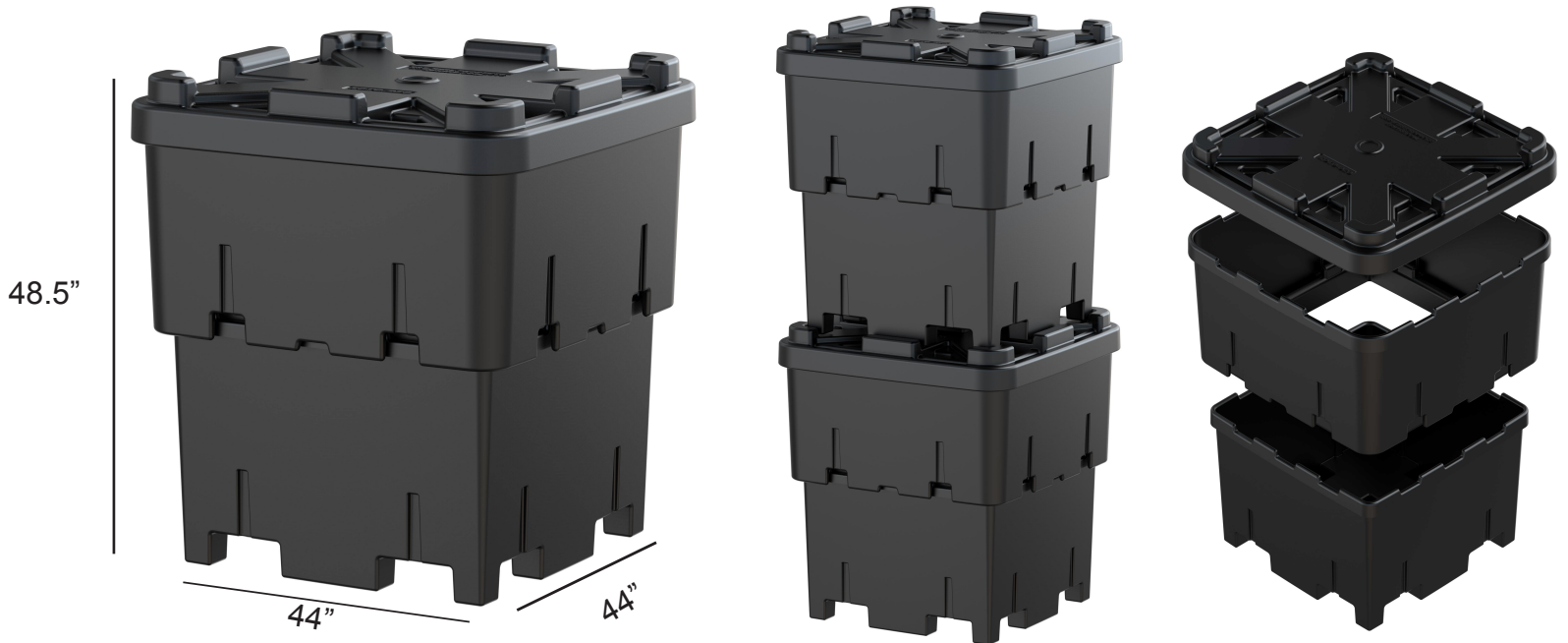
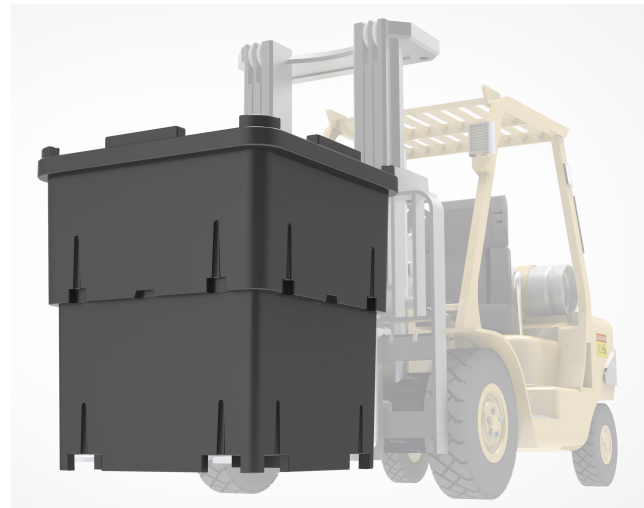


Stackable Bulk Container



Wide array of applications from storing and transporting raw materials to collecting scrap and recyclables.

- Weather resistant for use indoors or outdoors
- Removable extender piece provides ergonomic access to lower contents without sacrificing capacity
- Interlocking corners on bases and lids for secure stacking up to two high
- Four way forklift access
- Made from pre-consumer recycled HDPE
- Nestable when empty for easy storage



Weight Capacity: 1000 lbs

Volume Capacity with Extender: 26.5 Bushels or 33 Cubic Feet

Zoro Item #: G006006317

Mfg Item #: ROTO-920/BLK

