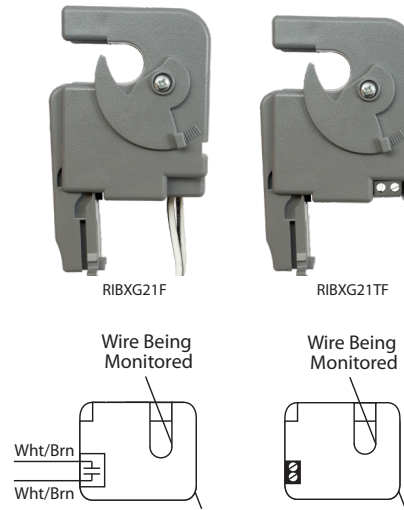
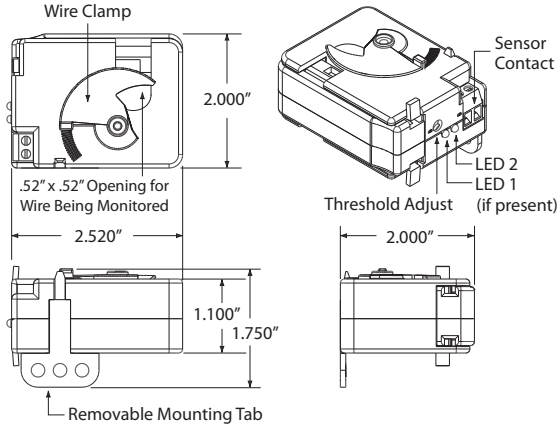


AC CURRENT SWITCHES

RIBXG21 Series

Enclosed Self-Powered Split Core 120-277 Vac Switching AC Current Sensors



SPECIFICATIONS

FUNCTIONAL DEVICES CERTIFIED FOR USE WITH ECMs

Operating Temperature: -30 to 140° F
Humidity Range: 5 to 95% (noncondensing)
*** Temperature Derating:** 1 Amp up to 50° C, 0.5 Amp up to 60° C
Max Sense Voltage: 600 Vac
Sensor Contact Status: Monitored current below threshold: Open
 Monitored current above threshold: Closed

Approvals: UL Listed, UL916, C-UL, CE, RoHS
Mounting/Installation: Unit can be secured using the supplied Mounting Tab, the adjustable Wire Clamp, or both.

Notes:
 • Use Sensor Contact to switch 120-277 Vac loads only.
 • For testing purposes, Sensor Contact will measure approximately 250 Ω when closed and > 10 MΩ when open.
 • The Sensor Contact is a Solid State Contact.

RIBXG21 SERIES SELECTION GUIDE

Model#	Sensing Range	Type	Threshold	Sensor Contact Type	Switching Voltage Range	Maximum Switching Current	Sensor Contact Termination	LED 1	LED 2
RIBXG21F	.50-150 Amps AC	Split Core	Fixed, .50 Amp AC	Solid State Switch SPST	120-277 Vac	1 Amp AC *	Wht/Blk 16~ 18 AWG Wire Leads		
RIBXG21TF	.50-150 Amps AC	Split Core	Fixed, .50 Amp AC	Solid State Switch SPST	120-277 Vac	1 Amp AC *	Terminal Strip, Accepts #14-22 AWG Wire		
RIBXG21A	.75-150 Amps AC	Split Core	Adjustable	Solid State Switch SPST	120-277 Vac	1 Amp AC *	Wht/Blk 16~ 18 AWG Wire Leads	Over Threshold	Under Threshold
RIBXG21TA	.75-150 Amps AC	Split Core	Adjustable	Solid State Switch SPST	120-277 Vac	1 Amp AC *	Terminal Strip, Accepts #14-22 AWG Wire	Over Threshold	Under Threshold