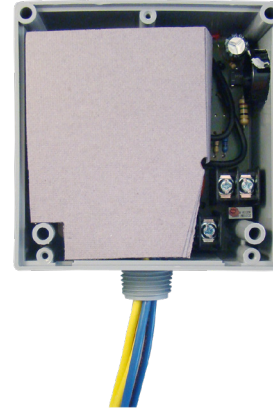
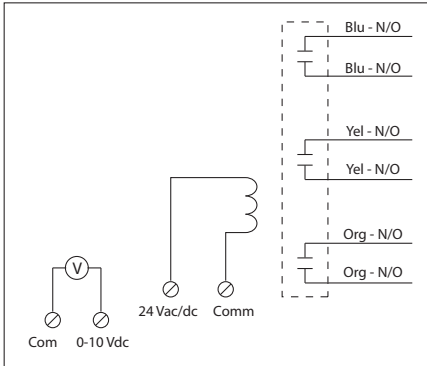


**RELAY & AC TRANSDUCER COMBO**

**RIBX243PV**

Enclosed Internal 0-20 Amp to 0-10 Vdc DC Transducer + Relay 20 Amp 3PST with 24 Vac/dc Coil



**SPECIFICATIONS**

**# Relays & Contact Type:** One (1) 3PST Continuous Duty Coil  
**Expected Relay Life:** 10 million cycles minimum mechanical  
**Operating Temperature:** -30 to 140° F  
**Humidity Range:** 5 to 95% (noncondensing)  
**Operate Time:** 20ms  
**Relay Status:** Red LED On = Activated  
**Dimensions:** 4.00" x 4.00" x 1.80" with .50" NPT Nipple  
**Wire Length:** 16", 600V Rated  
**Approvals:** UL Listed, UL916, C-UL, CE, RoHS  
**Housing Rating:** UL Accepted for Use in Plenum, NEMA 1  
**Gold Flash:** No  
**Override Switch:** No

**Coil Current:**  
 210 mA @ 24 Vac  
 154 mA @ 30 Vdc

**Coil Voltage Input:**  
 24 Vac/dc ; 50-60 Hz  
 Drop Out = 3 Vac / 3.8 Vdc  
 Pull In = 20 Vac / 22 Vdc

**Contact Ratings:**  
 20 Amp Resistive @ 300 Vac, 28 Vdc  
 20 Amp Ballast @ 277-480 Vac  
*Not rated for Electronic Ballast*  
 15 Amp Resistive @ 600 Vac  
 770 VA Pilot Duty @ 120 Vac, 1 Phase  
 1158 VA Pilot Duty @ 240 Vac, 1 Phase  
 1110 VA Pilot Duty @ 277 Vac, 1 Phase  
 1640 VA Pilot Duty @ 480 Vac, 1 Phase  
 1466 VA Pilot Duty @ 240 Vac, 3 Phase  
 2112 VA Pilot Duty @ 480 Vac, 3 Phase  
 Heavy Pilot Duty @ 600 Vac  
 7.5 HP @ 480 Vac, 3 Phase  
 5 HP @ 240 Vac, 3 Phase  
 3 HP @ 480-600 Vac, 1 Phase  
 2 HP @ 240-277 Vac, 1 Phase  
 1 HP @ 120 Vac, 1 Phase

**Sensor Type:** Internal, with voltage output. Current sensing on orange wires  
**Sensor Range:** 0-20 Amps

**Sensor Feedback Output:**  
 • Voltage output is proportional to current sensor range.  
 • Min. Input Impedance = 30K ohms  
 • Accuracy +/- 1% full scale  
 • Ripple < 10m Vac

**Notes:**  
 • Order Normally Closed by adding "-NC" to end of model number  
 • Can be ordered with 0-5 Vdc voltage output - Consult factory.