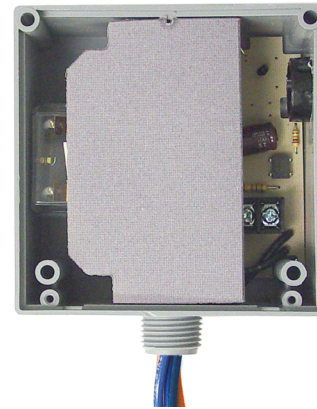
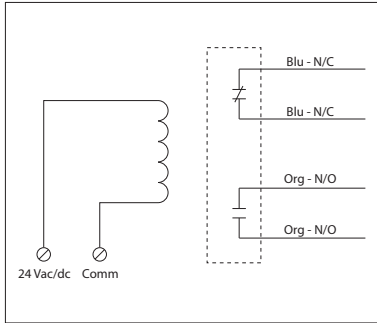


30 AMP POWER CONTROL RELAY

RIBT24Z

Enclosed Relay Hi/Low Separation 30 Amp
SPST-N/O + SPST-N/C with 24 Vac/dc Coil



SPECIFICATIONS

Relays & Contact Type: One (1) SPST-N/O + One (1) SPST-N/C
Continuous Duty Coil
Expected Relay Life: 10 million cycles minimum mechanical
Operating Temperature: -30 to 140° F
Humidity Range: 5 to 95% (noncondensing)
Operate Time: 18ms
Relay Status: LED On = Activated
Dimensions: 4.00" x 4.00" x 1.80" with .50" NPT Nipple
Wires: 16", 600V Rated
Approvals: UL Listed, UL916, UL864, C-UL
California State Fire Marshal, CE, RoHS
Housing Rating: UL Accepted for Use in Plenum, NEMA 1
Gold Flash: Yes
Override Switch: No

Contact Ratings:
30 Amp Resistive @ 300 Vac
25 Amp Resistive @ 28 Vdc
20 Amp Ballast @ 277-480 Vac
Not rated for Electronic Ballast
15 Amp Resistive @ 600 Vac
770 VA Pilot Duty @ 120 Vac
1158 VA Pilot Duty @ 240 Vac
1109 VA Pilot Duty @ 277 Vac
1640 VA Pilot Duty @ 480 Vac
Heavy Pilot Duty @ 600 Vac
3 HP @ 480-600 Vac
2 HP @ 240-277 Vac
1 HP @ 120 Vac

Coil Current:
110 mA @ 20 Vac
138 mA @ 24 Vac
55 mA @ 20 Vdc
55 mA @ 24 Vdc
77 mA @ 30 Vdc

Coil Voltage Input:
24 Vac/dc; 50-60 Hz
Drop Out = 3 Vac / 3.8 Vdc
Pull In = 20 Vac / 20 Vdc