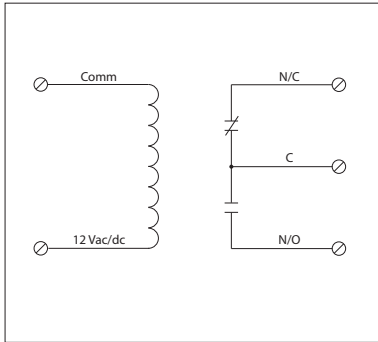


15 AMP TRACK MOUNT CONTROL RELAY

RIBM12C

4.00" Track Mount Relay 15 Amp SPDT with 12 Vac/dc Coil



SPECIFICATIONS

Relays & Contact Type: One (1) SPDT Continuous Duty Coil
Expected Relay Life: 10 million cycles minimum mechanical
Operating Temperature: -30 to 140° F
Humidity Range: 5 to 95% (noncondensing)
Operate Time: 6ms
Relay Status: LED On = Activated
Dimensions: 1.250" x 4.000" x 1.750"
Track Mount: 4.000"
Approvals: UL Listed, UL916, UL864, C-UL
 California State Fire Marshal, CE, RoHS
Gold Flash: No
Override Switch: No

Contact Ratings:
 15 Amp General Use @ 125 Vac
 10 Amp General Use @ 277 Vac
 10 Amp Resistive @ 30 Vdc (N/O)
 7 Amp Resistive @ 30 Vdc (N/C)
 1/2 HP @ 125 Vac
 1 HP @ 250 Vac
 1/4 HP @ 277 Vac
 C300 Pilot Duty

Coil Current:
 53 mA @ 10 Vac
 62 mA @ 12 Vac
 29 mA @ 11 Vdc
 36 mA @ 12 Vdc

Coil Voltage Input:
 12 Vac/dc ; 50-60 Hz
 Drop Out = 2 Vac / 2.5 Vdc
 Pull In = 9 Vac / 11 Vdc