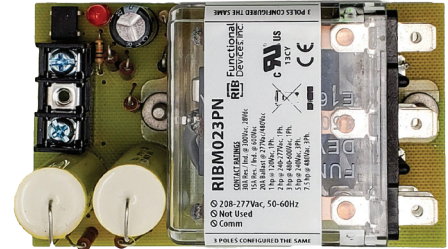
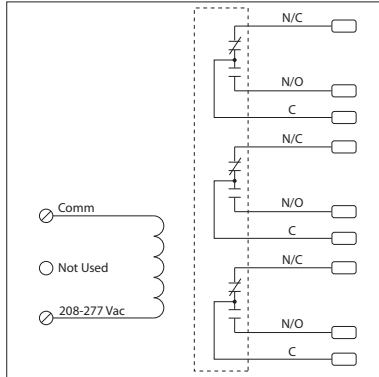


30 AMP TRACK MOUNT CONTROL RELAY

RIBM023PN

4.00" Track Mount Relay 30 Amp 3PDT with 208-277 Vac Coil



SPECIFICATIONS

- # Relays & Contact Type: One (1) 3PDT Continuous Duty Coil
- Expected Relay Life: 10 million cycles minimum mechanical
- Operating Temperature: -30 to 140° F
- Humidity Range: 5 to 95% (noncondensing)
- Operate Time: 20ms
- Relay Status: LED On = Activated
- Dimensions: 2.375" x 4.000" x 1.750"
- Track Mount: 4.000"
- Approvals: UL Component Recognized, UL916, UL864
C-UL, California State Fire Marshal, CE, RoHS
- Gold Flash: No
- Override Switch: No

- Contact Ratings:**
- 30 Amp General Use @ 300 Vac
 - 30 Amp Resistive @ 28 Vdc
 - 20 Amp Ballast @ 277-480 Vac
 - Not rated for Electronic Ballast
 - 15 Amp Resistive @ 600 Vac
 - 7.5 HP @ 480 Vac, 3 Phase
 - 5 HP @ 240 Vac, 3 Phase
 - 3 HP @ 480-600 Vac, 1 Phase
 - 2 HP @ 240-277 Vac, 1 Phase
 - 1 HP @ 120 Vac, 1 Phase

- Heavy Pilot Duty @ 600 Vac
- 770 VA @ 120 Vac, 1 Phase
- 1158 VA @ 240 Vac, 1 Phase
- 1110 VA @ 277 Vac, 1 Phase
- 1640 VA @ 480 Vac, 1 Phase
- 1466 VA @ 240 Vac, 3 Phase
- 2122 VA @ 480 Vac, 3 Phase

- Coil Current:**
- 170 mA @ 208-277 Vac
- Coil Voltage Input:**
- 208-277 Vac ; 50-60 Hz
 - Drop Out = 60 Vac
 - Pull In = 160 Vac