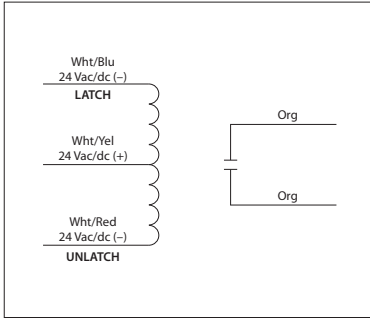


LATCHING RELAY

RIBL24B

Enclosed Mechanically Latching Relay 20 Amp
SPST with 24 Vac/dc Coil



RIBL24B-RD
• Red housing

RIBL24B-N4
• NEMA 4X housing
(Not available on switched models)

SPECIFICATIONS

- # Relays & Contact Type: One (1) SPST Latching Relay, Dual Coil
- Expected Relay Life: 1 million cycles minimum mechanical
- Operating Temperature: -30 to 140° F
- Humidity Range: 5 to 95% (noncondensing)
- Operate Time: 50ms
- Maximum Pulse Length: 30 seconds
- Dimensions: 1.70" x 2.80" x 1.50" with .50" NPT Nipple
- Wires: 16", 600V Rated
- Approvals: UL Listed, UL60947, C-UL, CE, RoHS
- Housing Rating: UL Accepted for Use in Plenum, NEMA 1
- Gold Flash: No

- Contact Ratings:**
- 20 Amp Resistive @ 120-277 Vac
 - 20 Amp Ballast @ 120-277 Vac
 - 16 Amp Electronic Ballast @ 120-277 Vac
 - 5540 Watt Tungsten @ 277 Vac
 - 720 VA Pilot Duty @ 120-277 Vac
 - 2 HP @ 277 Vac
 - 3 HP @ 240 Vac
 - 1.5 HP @ 120 Vac

- Coil Current:**
- 175 mA @ 20 Vac
 - 210 mA @ 24 Vac
 - 92 mA @ 20 Vdc
 - 110 mA @ 24 Vdc
 - 138 mA @ 30 Vdc
- Latch / Unlatch:**
Min. 10 Vdc / 11 Vac

- Notes:**
- Application of voltage on latch coil (Wht/Blu & Wht/Yel) will close the contact.
 - Application of voltage on unlatch coil (Wht/Red & Wht/Yel) will open the contact.
 - Voltage should not be applied to the coil for more than 30 seconds.