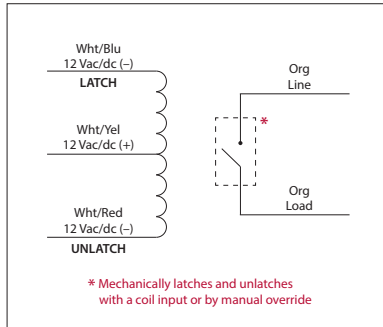


**LATCHING RELAY**

**RIBL12SB**

Enclosed Mechanically Latching Relay 20 Amp  
SPST + Override with 12 Vac/dc Coil



**RIBL12SB-RD**  
• Red housing

**SPECIFICATIONS**

**# Relays & Contact Type:** One (1) SPST Latching Relay, Dual Coil  
**Expected Relay Life:** 1 million cycles minimum mechanical  
**Operating Temperature:** -30 to 140° F  
**Humidity Range:** 5 to 95% (noncondensing)  
**Operate Time:** 50ms  
**Maximum Pulse Length:** 30 seconds  
**Dimensions:** 1.70" x 2.80" x 1.50" with .50" NPT Nipple  
**Wires:** 16", 600V Rated  
**Approvals:** UL Listed, UL60947, C-UL, CE, RoHS  
**Housing Rating:** UL Accepted for Use in Plenum, NEMA 1  
**Gold Flash:** No  
**Override Switch:** Yes

**Contact Ratings:**  
 20 Amp Resistive @ 120-277 Vac  
 20 Amp Ballast @ 120-277 Vac  
 16 Amp Electronic Ballast @ 120-277 Vac  
 5540 Watt Tungsten @ 277 Vac  
 720 VA Pilot Duty @ 120-277 Vac  
 2 HP @ 277 Vac  
 3 HP @ 240 Vac  
 1.5 HP @ 120 Vac

**Coil Current:**  
 182 mA @ 10 Vac  
 250 mA @ 12 Vac  
 165 mA @ 10 Vdc  
 198 mA @ 12 Vdc  
 250 mA @ 15 Vdc  
**Latch / Unlatch:**  
 Min. 10 Vdc / 11 Vac

**Notes:**  
 • Application of voltage on latch coil (Wht/Blu & Wht/Yel) will close the contact.  
 • Application of voltage on unlatch coil (Wht/Red & Wht/Yel) will open the contact.  
 • Voltage should not be applied to the coil for more than 30 seconds.