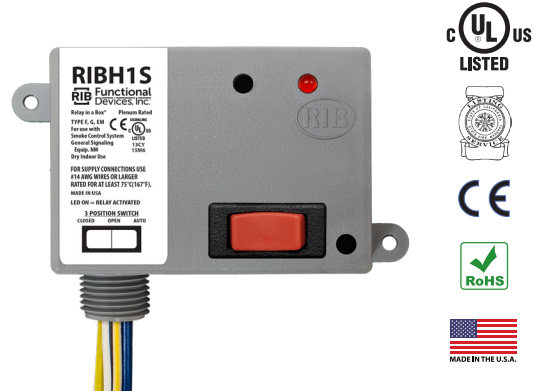
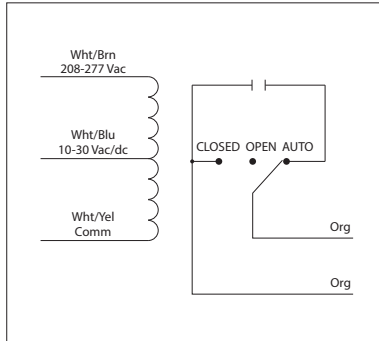


10 AMP PILOT CONTROL RELAY

RIBH1S

Enclosed Relay 10 Amp SPST-N/O + Override with 10-30 Vac/dc/208-277 Vac Coil



SPECIFICATIONS

- # Relays & Contact Type:** One (1) SPST Continuous Duty Coil
- Expected Relay Life:** 10 million cycles minimum mechanical
- Operating Temperature:** -30 to 140° F
- Humidity Range:** 5 to 95% (noncondensing)
- Operate Time:** 20ms
- Relay Status:** LED On = Activated
- Dimensions:** 2.30" x 3.20" x 1.80" with .50" NPT nipple
- Wires:** 16", 600V Rated
- Approvals:** UL Listed, UL916, UL864, C-UL California State Fire Marshal, CE, RoHS
- Housing Rating:** UL Accepted for Use in Plenum, NEMA 1
- Gold Flash:** Yes
- Override Switch:** Yes

- Contact Ratings:**
 - 10 Amp Resistive @ 277 Vac
 - 480 VA Pilot Duty @ 277 Vac
 - 480 VA Ballast @ 277 Vac
 - Not rated for Electronic Ballast
 - 600 Watt Tungsten @ 120 Vac (N/O)
 - 240 Watt Tungsten @ 120 Vac (N/C)
 - 1/3 HP @ 120-240 Vac (N/O)
 - 1/6 HP @ 120-240 Vac (N/C)
 - 1/4 HP @ 277 Vac (N/O)
 - 1/8 HP @ 277 Vac (N/C)

- Coil Voltage Input:**
 - 10-30 Vac/dc ; 208-277 Vac ; 50-60 Hz
 - Drop Out = 2.1 Vac / 2.8 Vdc
 - Pull In = 9 Vac / 10 Vdc

- Coil Current:**
 - 33 mA @ 10 Vac 13 mA @ 10 Vdc
 - 35 mA @ 12 Vac 15 mA @ 12 Vdc
 - 46 mA @ 24 Vac 18 mA @ 24 Vdc
 - 55 mA @ 30 Vac 20 mA @ 30 Vdc
 - 39 mA @ 208-277 Vac

- Notes:**
 - Order Normally Closed by adding "-NC" to end of model number