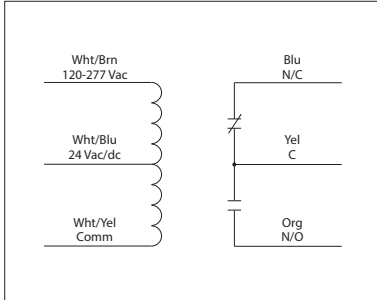


**10 AMP PILOT CONTROL RELAY**

**RIBD2421C**

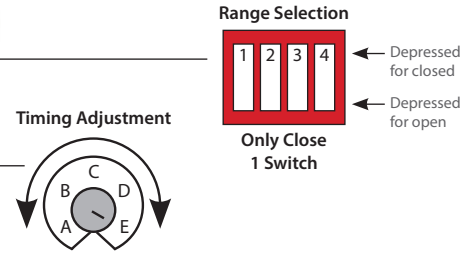
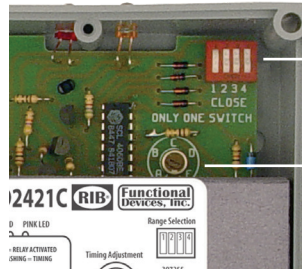
Enclosed Time Delay Relay 10 Amp SPDT with 24 Vac/dc / 120-277 Vac Coil



**SPECIFICATIONS**

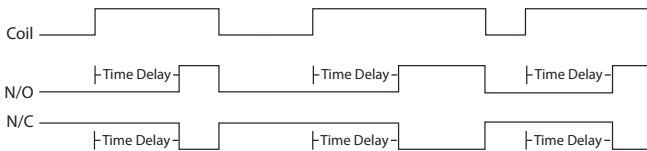
- # Relays & Contact Type:** One (1) SPDT Continuous Duty Coil
- Expected Relay Life:** 10 million cycles minimum mechanical
- Operating Temperature:** -30 to 140° F
- Humidity Range:** 5 to 95% (noncondensing)
- Operate Time:** 6ms after time delay
- Relay Status:** RED LED On = Activated
- Time Delay Status:** PINK LED FLASHING = Timing
- Timing Mode:** Delay On Make (N/O)
- Timing Range:** 6 seconds - 20 minutes
- Timing Adjustment:** 4 position DIP switch for range selection and single turn potentiometer for timing adjustment within range
- Timing Tolerance:** Switches 1 & 2 = ±10%  
Switches 3 & 4 = ±5%
- Timing Repeatability:** ±1%
- Temperature Timing Variance:** ±1%
- Voltage Timing Variance:** ±1%
- Recycle Time:** 750ms Maximum
- Dimensions:** 4.00" x 4.00" x 1.80" with .50" NPT nipple
- Wires:** 16", 600V Rated
- Approvals:** UL Listed, UL916, UL864, C-UL California State Fire Marshal, CE, RoHS
- Housing Rating:** UL Accepted for Use in Plenum, NEMA 4
- Gold Flash:** No
- Override Switch:** No

- Contact Ratings:**
  - 10 Amp General Use @ 277 Vac
  - 10 Amp Resistive @ 30 Vdc (N/O)
  - 7 Amp Resistive @ 30 Vdc (N/C)
  - 1/2 HP @ 125 Vac
  - 1 HP @ 250 Vac
  - 1/4 HP @ 277 Vac
  - C300 Pilot Duty
- Input Current:**
  - 66 mA @ 24 Vac
  - 38 mA @ 24 Vdc
  - 40 mA @ 120-277 Vac
- Coil Voltage Input:**
  - 24 Vac/dc ; 120-277 Vac ; 50-60 Hz
  - Drop Out = 3 Vac / 3.8 Vdc
  - Pull In = 20 Vac / 20 Vdc



TIMING TABLE							
Switch Ranges	Close Dip Switch	Potentiometer Setting					
		A	B	C	D	E	
6s-20s	1	6s	9s	13s	16s	20s	
22s-1min15s	2	22s	36s	50s	1min4s	1min15s	
1min30s-5min	3	1min30s	2min10s	3min20s	4min16s	5min	
6min-20min	4	6min	9min	13min20s	17min20s	20min	

**Timing Diagram**



**Time Delay Application**

Load 2 stays on selected amount of time after Load 1 goes off.

