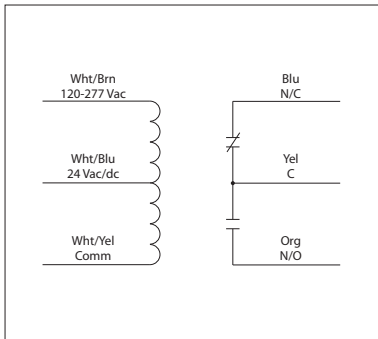


**10 AMP PILOT CONTROL RELAY**

**RIB2421C**

Enclosed Relay 10 Amp SPDT with 24 Vac/dc/120-277 Vac Coil



**RIB2421C-RD**  
• Red housing



**RIB2421C-N4**  
• NEMA 4X housing, UL508 only

**GREAT SERVICE TRUCK RELAY**  
**ONE RELAY COVERS MOST APPLICATIONS**



**SPECIFICATIONS**

**# Relays & Contact Type:** One (1) SPDT Continuous Duty Coil  
**Expected Relay Life:** 10 million cycles minimum mechanical  
**Operating Temperature:** -30 to 140° F  
**Humidity Range:** 5 to 95% (noncondensing)  
**Operate Time:** 20ms  
**Relay Status:** LED On = Activated  
**Dimensions:** 1.70" x 2.80" x 1.50" with .50" NPT nipple  
**Wires:** 16", 600V Rated  
**Approvals:** UL Listed, UL916, UL864, C-UL California State Fire Marshal, CE, RoHS  
**Housing Rating:** UL Accepted for Use in Plenum, NEMA 1  
**Gold Flash:** No  
**Override Switch:** No

**Contact Ratings:**  
 10 Amp General Use @ 277 Vac  
 10 Amp Resistive @ 30 Vdc (N/O)  
 7 Amp Resistive @ 30 Vdc (N/C)  
 1/2 HP @ 125 Vac  
 1 HP @ 250 Vac  
 1/4 HP @ 277 Vac  
 C300 Pilot Duty

**Coil Current:**  
 66 mA @ 24 Vac  
 38 mA @ 24 Vdc  
 40 mA @ 120-277 Vac

**Coil Voltage Input:**  
 24 Vac/dc; 120-277 Vac; 50-60 Hz  
 Drop Out = 3 Vac / 3.8 Vdc  
 Pull In = 20 Vac / 20 Vdc