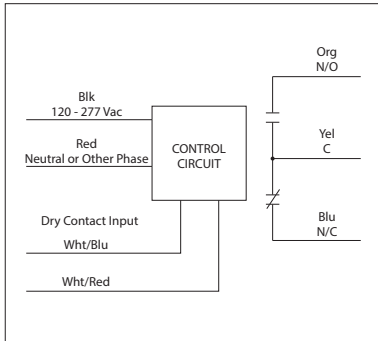


DRY CONTACT INPUT RELAY

RIB21CDC

Enclosed Relay 10 Amp SPDT, Class 2 Dry Contact Input, 120-277 Vac Power Input



RIB21CDC-RD
• Red housing



RIB21CDC-N4
• NEMA 4X housing, UL508 only

SPECIFICATIONS

- # Relays & Contact Type: One (1) SPDT Continuous Duty Coil
- Expected Relay Life: 10 million cycles minimum mechanical
- Operating Temperature: -30 to 140° F
- Humidity Range: 5 to 95% (noncondensing)
- Operate Time: 1.8 Seconds
- Relay Status: LED On = Activated
- Dimensions: 1.70" x 2.80" x 1.50" with .50" NPT Nipple
- Wires: 16", 600V Rated
- Approvals: UL Listed, UL916, C-UL, CE, RoHS
- Housing Rating: UL Accepted for Use in Plenum, NEMA 1
- Gold Flash: No
- Override Switch: No

- Contact Ratings:**
- 10 Amp General Use @ 277 Vac
- 10 Amp Resistive @ 30 Vdc (N/O)
- 7 Amp Resistive @ 30 Vdc (N/C)
- 1/2 HP @ 125 Vac
- 1 HP @ 250 Vac
- 1/4 HP @ 277 Vac
- 470 VA Pilot Duty @ 125 Vac
- 770 VA Pilot Duty @ 250 Vac

- Power Input:**
- 50 mA @ 240 Vac Max.

- Notes:**
- Dry Contact Input Operation:
Close White/Red wire to White/Blue wire to activate relay. If more than one dry contact RIB® shares a single dry contact input, White/Blue must be common.