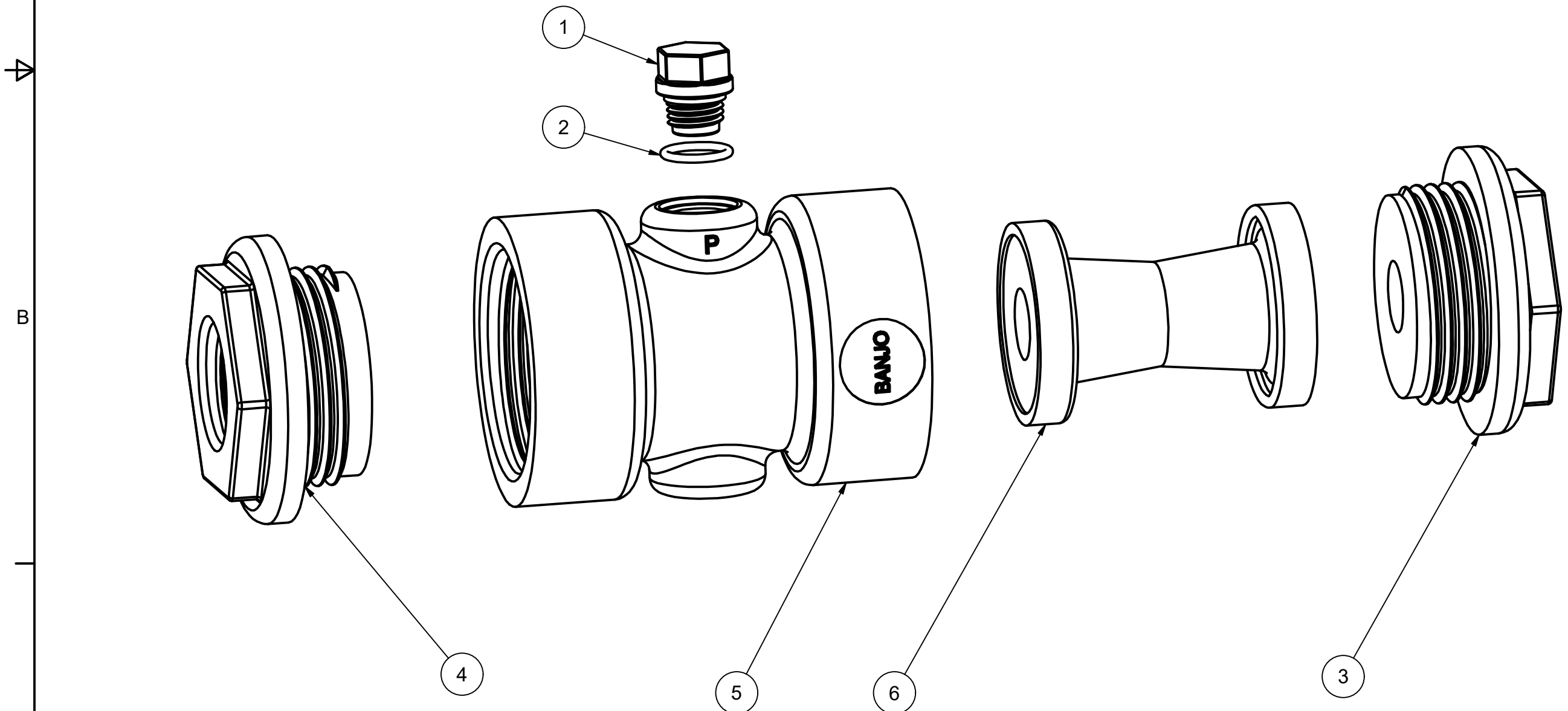



PARTS LIST			
ITEM	QTY	PART NUMBER	DESCRIPTION
1	1	12723	1/4" PIPE PLUG
2	1	12724	AS568A -014 O-RING, EPDM, BLACK
3	1	PV07256	1" PINCH VALVE END PLATE
4	1	PV07257	3/4" PINCH VALVE END PLATE
5	1	PV10254	PINCH VALVE BODY
6	1	PV10265	PINCH VALVE SEAL



NOTE:
 PLUG MUST BE ASSEMBLED ON PORT WITH "P". ENDPLATES CAN BE ASSEMBLED ON EITHER END ON VALVE BODY.



BANJO
CORPORATION

BANJO CORPORATION
 150 BANJO DRIVE, CRAWFORDSVILLE, IN 47933
 WEB SITE: WWW.BANJOCORP.COM
 E-MAIL: BANJOSALES@IDEXCORP.COM

DESCRIPTION	1" X 3/4" POLY PINCH VALVE
PART NUMBER	PV100-075

THIS DRAWING AND ALL INFORMATION CONTAINED THEREON ARE THE EXCLUSIVE PROPERTY OF BANJO CORPORATION.

 UNLESS SPECIFICALLY NOTED, THIS DRAWING AND ITEMS SHOWN ON THIS DRAWING ARE SUBJECT TO CHANGE AT ANY TIME.