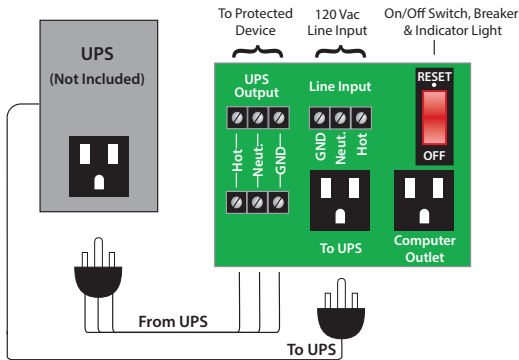


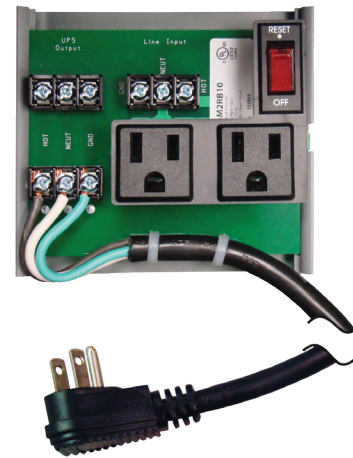
UPS INTERFACE MODULE

PSM2RB10

4.00" Track Mount Power Control Center, with 10 Amp Switch / Circuit Breaker, Two (2) 120 Vac Outlets, Terminals, 120 Vac Input. **(No Status Contacts)**



BUY SEPARATELY AND PLACE IN AN ENCLOSURE OF YOUR CHOICE



SPECIFICATIONS

- Operating Temperature:** -30 to 140° F
- Humidity Range:** 5 to 95% (noncondensing)
- Main Breaker ON/OFF:** Switch / Breaker (10 Amp)
- Dimensions:** 4.000" x 3.250" x 1.750"
- Track Mount:** 3.250" x 4.000"
- MT4-4N Mounting Track Included
- Approvals:** UL Listed, UL916, C-UL, CE, RoHS

- Notes:**
- Circuit breaker for short protection.
 - 14/3 Line Cord included (3').
 - **Use with UPS devices rated 1000 VA or less.**
 - **UPS is not included.**