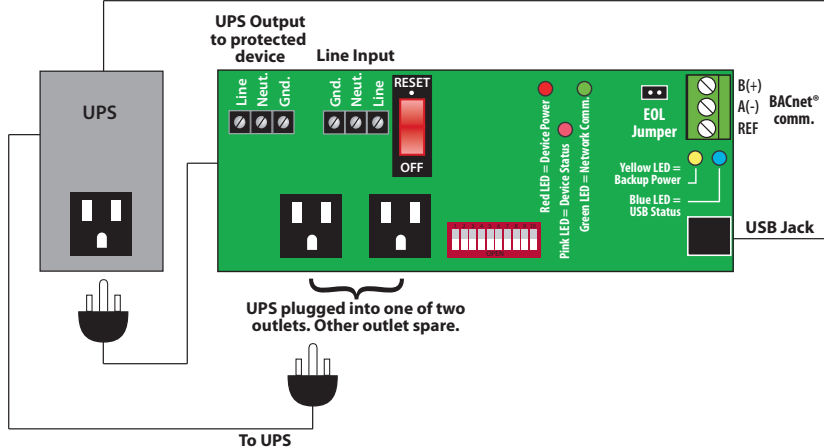


UNINTERRUPTIBLE POWER SUPPLY KIT - BACnet® COMPATIBLE

PSH600-UPS-BC

Enclosed BACnet® Network 600 VA UPS Backup Power Control Center



Shown Without Cover



SPECIFICATIONS

BOARD AND ENCLOSURE:

- Operating Temperature:** -30 to 140° F
- Humidity Range:** 5 to 95% (noncondensing)
- Indicators:**
 - Device Power: Red LED
 - Device Status: Pink LED
 - Network Communication: Green LED
 - Backup Power: Yellow LED
 - USB Status: Blue LED
- Main Breaker ON/OFF:** Switch / Breaker (10 Amp)
- Dimensions:** 12" x 14" x 6"
- Track Mount:** 2.750" x 8.000"
 - MT212-8N Mounting Track Included
- Approvals:** UL Listed, UL916, C-UL, CE, RoHS
- Line Input:** 120Vac, 10A(max)
- Convenience Receptacles:** 120Vac, 10A(max combined)

- Power Input Rating:** 25mA @ 120Vac
- Network Media:** Twisted Pair 22-24 AWG, shielded recommended (MS/TP) USB A/B (device to UPS, included)
- Terminations:** Functional Devices product installed at both ends of the MS/TP network - Use 120 Ohm End of Line Resistors. All other cases follow instructions from the device installed at the end of the MS/TP network.
- Polarity:** Network is polarity sensitive.
- Baud Rate:** 9600, 192000, 38400, 76800, 115200 (DIP Switch Selectable)

DIP SWITCHES*			BAUD RATE
8	9	10	
0	0	0	9600
0	0	1	19200
0	1	0	38400
0	1	1	57600
1	0	0	76800
1	0	1	115200

All other combinations=9600 baud

- Notes:**
 - Circuit breaker for short-circuit protection.
 - 14/3 Line Cord included (3').

- BACnet® Details:**
 - MS/TP Address & Baud Rate must be set prior to power up via DIP switches.
 - Device ID will default to 277XXX where XXX is the MS/TP Address.

MS/TP Address - 004
Device ID - 277004

MS/TP Address - 121
Device ID - 277121

- Device ID can be changed via network command. Once changed, it will no longer default to 277XXX. (MS/TP Address & Device ID must be unique.)
- Devices Instance changed via Object Identifier Property of Device Object.
- Status of UPS connection, Battery run time, line power, UPS load (VA and %), and battery capacity can be read from BACnet network.

Information provided over BACnet® network can be used to schedule "predictive maintenance" such as UPS battery replacement, etc.

UPS:

- UPS:** 600VA
- Backup Time:** 2.5 Min. @ Full 600 VA Load
10.2 Min. @ 1/2 Load
- Input:** 120 Vac, 12 Amp
- Output:** 120 Vac, 4.6 Amp
- Max Load:** 330 Watt
- Frequency:** 50/60 Hz
- Temperature Rating of UPS:** 32 to 104° F
- UPS Transfer Time:** 6ms
- Approvals:** UL Listed, UL1778

- Notes:**
 - Average battery life: 3-5 years depending on the number of discharge cycles and environmental temperature
 - This model is not designed to notify user of battery failure.
 - This model is designed to work exclusively with Functional Devices Model UPS600

ESTIMATED BACKUP TIME VS. LOAD

