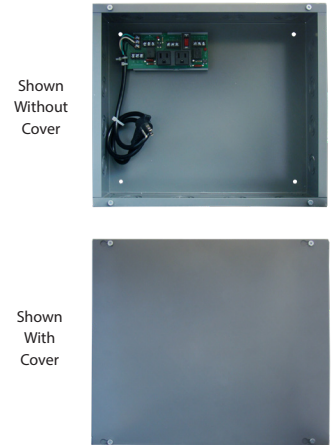
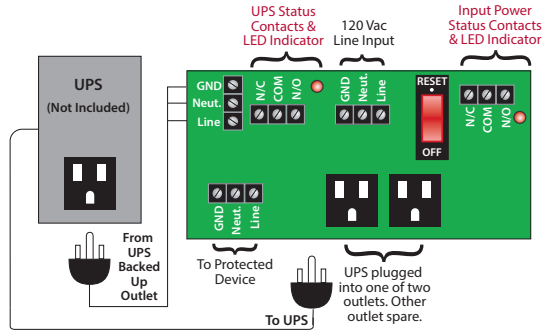


**ENCLOSED UPS INTERFACE MODULE**

**PSH2C2RB10-L**

Enclosed 2.75" Track Mount Power Control Center, with 10 Amp Switch / Circuit Breaker, Two (2) 120 Vac Outlets, Terminals, 120 Vac Input. **(Status Contacts)**



**SPECIFICATIONS**

**Operating Temperature:** -30 to 140° F  
**Humidity Range:** 5 to 95% (noncondensing)  
**Main Breaker ON/OFF:** Switch / Breaker (10 Amp)  
**Approvals:** UL Listed, UL916, C-UL, CE, RoHS  
**Dimensions:** 14.000" x 16.000" x 6.000"  
 Metal Housing with Screw Cover

**Line Input Status Contacts and UPS Output Status Contacts Rated:**  
 10 Amp @ 277 Vac General Use  
 10 Amp @ 30 Vdc N/O  
 7 Amp @ 30 Vdc N/C  
 1/2 HP @ 125 Vac  
 1/4 HP @ 277 Vac  
 1000 VA @ 120 Vac Magnetic Ballast N/C  
 C300 Pilot Duty  
 16.8 VA @ 24 Vac Pilot Duty

**Notes:**

- Track mounted interface board may be ordered separately as model PSMN2C2RB10, to be used with any commercial UPS with appropriate ratings for the circuit breaker.
- Circuit breaker for short-circuit protection.
- 14/3 Line Cord included (3').
- Use with UPS devices rated 1000 VA or less.
  - Max. size: 14.000" x 10.000" x 5.500"
  - 120 Vac, 600 W max., 8.3 Amp max.
- UPS is not included.
- To order a kit with a UPS, see PSH850-UPS-STAT.

**Input Power Status Contacts and LED Indicator**  
 The input power status contacts and LED indicate the presence of normal power. When normal power is present, the relay is energized, and the LED is on. When normal power is lost, the relay is de-energized, and the LED is off.

**UPS Status Contacts and LED Indicator**  
 The UPS status contacts and LED indicate power from the UPS. When normal power is present, the relay is energized, and the LED is on. When normal power is lost, the relay will be energized as long as the UPS can sustain it (until the UPS battery is depleted), and the LED is on.