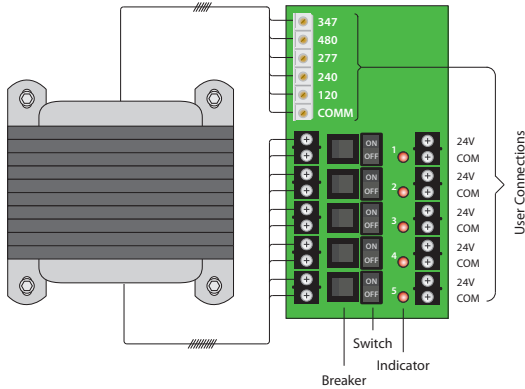


AC POWER SUPPLY

PSH200A-LVC

Enclosed 200VA Power Supply with Five 40VA Class 2 Outputs, 480/347/277/240/120 Vac to 24 Vac



PSH200A-LVC
Shown Without
High Voltage
Cover &
Low Voltage
Access Plate



PSH200A-LVC
Shown Without
Low Voltage
Access Plate



PSH200A-LVC
Shown With
Full Cover &
Access Plate



SPECIFICATIONS

Transformer: One (1) 200 VA
Over Current Protection: Circuit Breaker
Primary: 480/347/277/240/120 Vac
Frequency: 50/60 Hz
Dimensions: 12.125" x 12.125" x 6.000"
Approvals: Class 2 (UL Approved UL5085-3), UL916, C-UL, CE, RoHS
Housing: NEMA1 Metal Enclosure

5 Secondaries:
24 Vac, with LED Indicators
24 Vac ON/OFF:
On / Off Switch & Breaker
Input:
480/347/277/240/120 Vac **Finger-Safe Terminals**, 8-18 AWG
Output:
5 Ungrounded, Isolated, 40 VA, Class 2, 24 Vac Outputs. Terminals accept 12-26 AWG wire.
Ambient Temperature Derating:
1.6A up to 40° C ; 1.2A up to 60° C
(When All 5 Outputs Operated Simultaneously)

Standby Wattage:
18.93 W @ 120 Vac
22.08 W @ 240 Vac
22.33 W @ 277 Vac
23.11 W @ 347 Vac
25.24 W @ 480 Vac
Full Load Primary Current:
2.57 A @ 120 Vac
1.44 A @ 240 Vac
1.17 A @ 277 Vac
0.95 A @ 347 Vac
0.73 A @ 480 Vac

Secondary Output Voltage vs. Load:
24.9 V @ 0.5 Amp
24.0 V @ 1.0 Amp
23.9 V @ 1.4 Amp
23.7 V @ 1.6 Amp
 • With 120 Vac primary input voltage
 • When all 5 outputs operated simultaneously, at room temperature