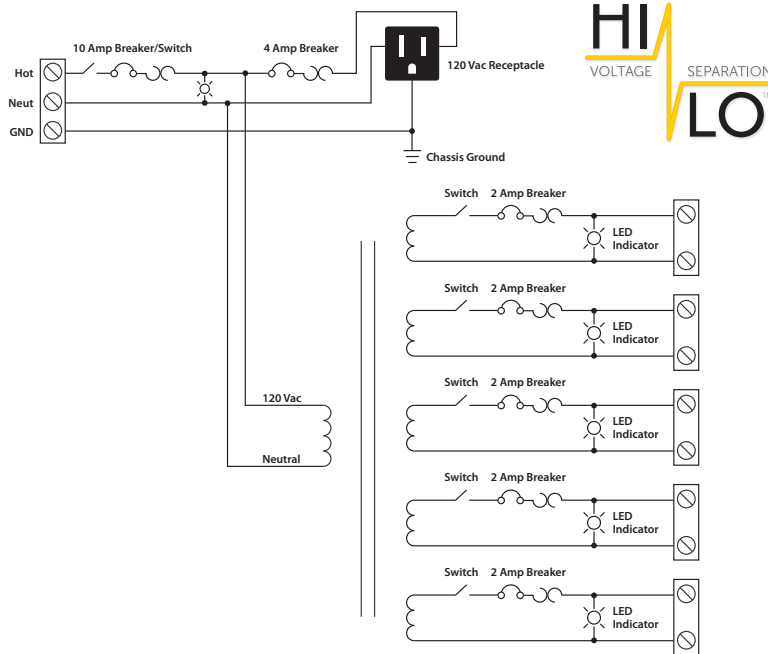


AC POWER SUPPLY

PSH200AB10-LVC

Enclosed 200VA Power Supply, **High/Low Voltage Separation** with Five 40VA Class 2 Outputs, 120 Vac to 24 Vac with 120 Vac Receptacle



PSH200AB10-LVC
Shown With High Voltage
Cover & Low Voltage
Access Plate



SPECIFICATIONS

Transformer: One (1) 200 VA
Over Current Protection: Circuit Breaker
Primary: 120 Vac
Frequency: 50/60 Hz
Main Breaker ON/OFF: Switch / Breaker (10 Amp)
 (Kills power to entire unit:
 1 Outlet & Transformer)
Approvals: Class 2 (UL Approved UL5085-3),
 UL916, C-UL, CE, RoHS
Dimensions: 12.125" x 12.125" x 6.000"
Housing: NEMA1 Metal Enclosure with
 high/low separation

5 Secondaries:
 24 Vac, with LED Indicators
 2 Amp breaker for each output

24 Vac ON/OFF:
 On / Off Switch & Breaker

Input:
 120 Vac **Finger-Safe Terminals**, 8-18 AWG

Output:
 5 Ungrounded, Isolated, 40 VA Class 2,
 24 Vac Outputs. Removable Terminals
 accept 16-22 AWG wire.

Ambient Temperature Derating:
 1.6A up to 40° C ; 1.2A up to 60° C
 (When All 5 Outputs Operated Simultaneously)

Standby Wattage:
 18.93 W @ 120 Vac

Full Load Primary Current:
 2.57 A @ 120 Vac

Secondary Output Voltage vs. Load:
 24.9V @ 0.5 Amp
 24.0V @ 1.0 Amp
 23.9V @ 1.4 Amp
 23.7V @ 1.6 Amp

• When all 5 outputs operated
 simultaneously, at room
 temperature

Notes:

• 4A (Breaker protected) Convenience
 Receptacle Provided