

Madison Universal -use with any indoor fan with 1/8" IPS light kit adapter • Dry Location Listed



Description:

Antique Bronze three-light fan light kit with etched glass bell-shaped shades. Etched glass in a clean, simple domed shape provides even, diffused illumination. Corresponding pull chain features Antique Brass finish with a walnut fob. Universal style lets you use with any indoor fan that accept an accessory light. Quick-connect wiring makes the installation process quick and easy. Includes three 3000K, 800 lumen each (source), Title 24 certified LED bulbs.

Specifications:

- Etched glass Cone
- Add style and light to your ceiling fan with this universal fan light kit.
- Etched glass bell-shaped shades provides even, diffused illumination.
- Antique Brass pull chain w/ walnut fob included.
- Quick-connect wiring to any progress fan that accept an accessory light.
- Ideal for bedroom, den or kitchen lighting.
- Includes three 3000K, 800 lumen each (source), Title 24 certified LED bulbs
- Energy Star Qualified
- Meets California T24 JA8-2016.
- Fully dimmable with dimmable bulbs.
- 6 in of wire supplied

Performance:

Number of Lamps	3
Input Power	9 W
Input Voltage	120 V
Input Frequency	60 Hz
Lumens/LPW (Source)	800/88 (LM-82)
CCT	3000 K
CRI	90 CRI
Life (hours)	25000 (L70/TM-21)
Max. Operating Temp	40 °C
Warranty	1-year Limited Warranty
Labels	UL Dry Location Listed
	ENERGY STAR® qualified
	Meets California Title 24 JA8-2016

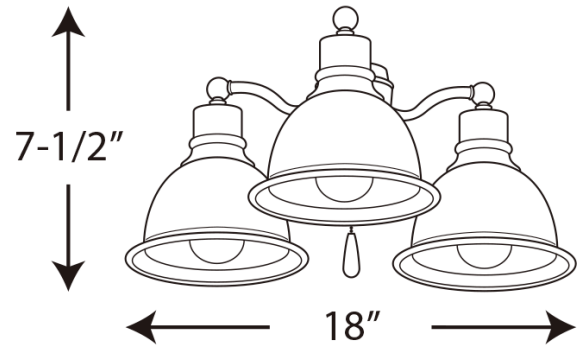
P2623-20WB



Dimensions:

Diameter: 18 in
Height: 7-1/2 in

Etched glass Cone
Width: 7-1/2 in
Height: 4-3/8 in



**Dimming Notes:**

P2623-20WB is designed to be compatible with many ELV/Reverse Phase controls.

The following is a partial list of known compatible dimmer controls.

Dimming Controls:

Lutron_Diva DVELV-300P

Lutron_Nova T NTELV-300

Lutron_Maestro MAELV-600

Dimming capabilities will vary depending on the dimmer control, load, and circuit installation.

Always refer to dimmer manufacturer instructions or a controls specialist for specific requirements.

Dimmer control brand names where identified above are trade names or registered trademarks of each respective company.

P2623-20WB