

DEWALT®



**Instruction Manual
Guide D'utilisation
Manual de instrucciones**

DWE43265N

Heavy-Duty Small Angle Trigger Switch Grinder

Meuleuse à faible inclinaison à gâchette pour service intensif

Esmeriladora de interruptor de gatillo de ángulo pequeño de servicio pesado

www.DEWALT.com

**If you have questions or comments, contact us.
Pour toute question ou tout commentaire, nous contacter.
Si tiene dudas o comentarios, contáctenos.**

1-800-4-DEWALT

ENGLISH

English (***original instructions***) 1

Français (*traduction de la notice d'instructions originale*) 15

Español (*traducido de las instrucciones originales*) 30

Definitions: Safety Alert Symbols and Words

This instruction manual uses the following safety alert symbols and words to alert you to hazardous situations and your risk of personal injury or property damage.



DANGER: Indicates an imminently hazardous situation which, if not avoided, **will** result in **death or serious injury**.



WARNING: Indicates a potentially hazardous situation which, if not avoided, **could** result in **death or serious injury**.



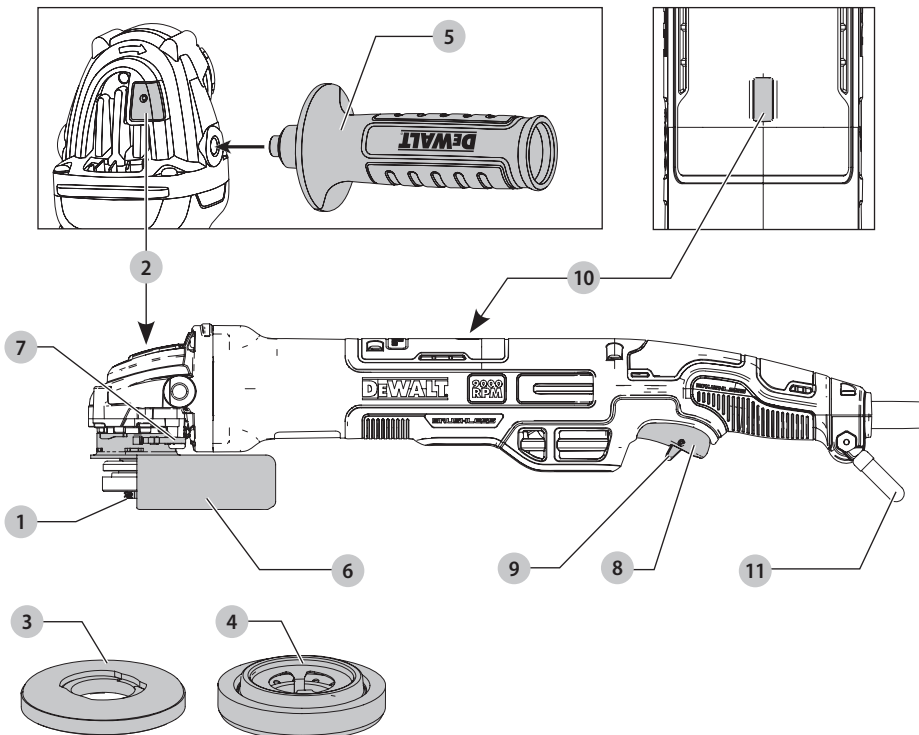
CAUTION: Indicates a potentially hazardous situation which, if not avoided, **may** result in **minor or moderate injury**.



(Used without word) Indicates a safety related message.

NOTICE: Indicates a practice **not related to personal injury** which, if not avoided, **may** result in **property damage**.

Fig. A



- 1 Spindle
- 2 Spindle lock button
- 3 Unthreaded backing flange
- 4 Threaded locking flange
- 5 Side handle
- 6 Guard
- 7 Guard release lever
- 8 Trigger switch
- 9 Trigger lock off
- 10 LED Indicator
- 11 Lanyard connection



WARNING! Read all safety warnings and all instructions. Failure to follow the warnings and instructions may result in electric shock, fire and/or serious injury.



WARNING: To reduce the risk of injury, read the instruction manual.

If you have any questions or comments about this or any DeWALT tool, call us toll free at:
1-800-4-DeWALT (1-800-433-9258).

GENERAL POWER TOOL SAFETY WARNINGS



WARNING! Read all safety warnings and all instructions. Failure to follow the warnings and instructions may result in electric shock, fire and/or serious injury.

SAVE ALL WARNINGS AND INSTRUCTIONS FOR FUTURE REFERENCE

The term "power tool" in the warnings refers to your mains-operated (corded) power tool or battery-operated (cordless) power tool.

1) Work Area Safety

- a) **Keep work area clean and well lit.** Cluttered or dark areas invite accidents.
- b) **Do not operate power tools in explosive atmospheres, such as in the presence of flammable liquids, gases or dust.** Power tools create sparks which may ignite the dust or fumes.
- c) **Keep children and bystanders away while operating a power tool.** Distractions can cause you to lose control.

2) Electrical Safety

- a) **Power tool plugs must match the outlet. Never modify the plug in any way. Do not use any adapter plugs with earthed (grounded) power tools.** Unmodified plugs and matching outlets will reduce risk of electric shock.
- b) **Avoid body contact with earthed or grounded surfaces such as pipes, radiators, ranges and refrigerators.** There is an increased risk of electric shock if your body is earthed or grounded.
- c) **Do not expose power tools to rain or wet conditions.** Water entering a power tool will increase the risk of electric shock.
- d) **Do not abuse the cord. Never use the cord for carrying, pulling or unplugging the power tool. Keep cord away from heat, oil, sharp edges or moving parts.** Damaged or entangled cords increase the risk of electric shock.
- e) **When operating a power tool outdoors, use an extension cord suitable for outdoor use.** Use of a cord suitable for outdoor use reduces the risk of electric shock.
- f) **If operating a power tool in a damp location is unavoidable, use a ground fault circuit interrupter (GFCI) protected supply.** Use of a GFCI reduces the risk of electric shock.

3) Personal Safety

- a) **Stay alert, watch what you are doing and use common sense when operating a power tool. Do not use a power tool while you are tired or under the influence of drugs, alcohol or medication.** A moment of inattention while operating power tools may result in serious personal injury.

- b) **Use personal protective equipment. Always wear eye protection.** Protective equipment such as dust mask, non-skid safety shoes, hard hat, or hearing protection used for appropriate conditions will reduce personal injuries.
- c) **Prevent unintentional starting. Ensure the switch is in the off position before connecting to power source and/or battery pack, picking up or carrying the tool.** Carrying power tools with your finger on the switch or energizing power tools that have the switch on invites accidents.
- d) **Remove any adjusting key or wrench before turning the power tool on.** A wrench or a key left attached to a rotating part of the power tool may result in personal injury.
- e) **Do not overreach. Keep proper footing and balance at all times.** This enables better control of the power tool in unexpected situations.
- f) **Dress properly. Do not wear loose clothing or jewelry. Keep your hair, clothing and gloves away from moving parts.** Loose clothes, jewelry or long hair can be caught in moving parts.
- g) **If devices are provided for the connection of dust extraction and collection facilities, ensure these are connected and properly used.** Use of dust collection can reduce dust-related hazards.

4) Power Tool Use and Care

- a) **Do not force the power tool. Use the correct power tool for your application.** The correct power tool will do the job better and safer at the rate for which it was designed.
- b) **Do not use the power tool if the switch does not turn it on and off.** Any power tool that cannot be controlled with the switch is dangerous and must be repaired.
- c) **Disconnect the plug from the power source and/or the battery pack from the power tool before making any adjustments, changing accessories, or storing power tools.** Such preventive safety measures reduce the risk of starting the power tool accidentally.
- d) **Store idle power tools out of the reach of children and do not allow persons unfamiliar with the power tool or these instructions to operate the power tool.** Power tools are dangerous in the hands of untrained users.
- e) **Maintain power tools. Check for misalignment or binding of moving parts, breakage of parts and any other condition that may affect the power tool's operation. If damaged, have the power tool repaired before use.** Many accidents are caused by poorly maintained power tools.
- f) **Keep cutting tools sharp and clean.** Properly maintained cutting tools with sharp cutting edges are less likely to bind and are easier to control.
- g) **Use the power tool, accessories and tool bits, etc. in accordance with these instructions, taking**

into account the working conditions and the work to be performed. Use of the power tool for operations different from those intended could result in a hazardous situation.

5) Service

- a) *Have your power tool serviced by a qualified repair person using only identical replacement parts. This will ensure that the safety of the power tool is maintained.*

SAFETY INSTRUCTIONS FOR ALL OPERATIONS

Safety Warnings Common for Grinding, Sanding, Wire Brushing or Abrasive Cutting-Off Operations

- a) *This power tool is intended to function as a grinder, sander, wire brush or cut-off tool. Read all safety warnings, instructions, illustrations and specifications provided with this power tool. Failure to follow all instructions listed below may result in electric shock, fire and/or serious injury.*
- b) *Do not use for polishing.*
- c) *Do not use accessories which are not specifically designed and recommended by the tool manufacturer. Just because the accessory can be attached to your power tool, it does not assure safe operation.*
- d) *The rated speed of the accessory must be at least equal to the maximum speed marked on the power tool. Accessories running faster than their rated speed can break and fly apart.*
- e) *The outside diameter and the thickness of your accessory must be within the capacity rating of your power tool. Incorrectly sized accessories cannot be adequately guarded or controlled.*
- f) *Threaded mounting of accessories must match the grinder spindle thread. For accessories mounted by flanges, the arbor hole of the accessory must fit the locating diameter of the flange. Accessories that do not match the mounting hardware of the power tool will run out of balance, vibrate excessively and may cause loss of control.*
- g) *Do not use a damaged accessory. Before each use inspect the accessory such as abrasive wheels for chips and cracks, backing pad for cracks, tear or excess wear, wire brush for loose or cracked wires. If power tool or accessory is dropped, inspect for damage or install an undamaged accessory. After inspecting and installing an accessory, position yourself and bystanders away from the plane of the rotating accessory and run the power tool at maximum no-load speed for one minute. Damaged accessories will normally break apart during this test time.*
- h) *Wear personal protective equipment. Depending on application, use face shield, safety goggles or safety glasses. As appropriate, wear dust mask, hearing protectors, gloves and workshop apron capable of stopping small abrasive or workpiece fragments. The eye protection must be capable of stopping flying debris generated by various operations. The dust mask or respirator must be capable of filtering particles generated by your operation. Prolonged exposure to high intensity noise may cause hearing loss.*
- i) *Keep bystanders a safe distance away from work area. Anyone entering the work area must wear personal protective equipment. Fragments of workpiece or of a broken accessory may fly away and cause injury beyond immediate area of operation.*
- j) *Hold the power tool by insulated gripping surfaces only, when performing an operation where the cutting accessory may contact hidden wiring or its own cord. Cutting accessory contacting a "live" wire may make exposed metal parts of the power tool "live" and could give the operator an electric shock.*
- k) *Position the cord clear of the spinning accessory. If you lose control, the cord may be cut or snagged and your hand or arm may be pulled into the spinning accessory.*
- l) *Never lay the power tool down until the accessory has come to a complete stop. The spinning accessory may grab the surface and pull the power tool out of your control.*
- m) *Do not run the power tool while carrying it at your side. Accidental contact with the spinning accessory could snag your clothing, pulling the accessory into your body.*
- n) *Regularly clean the power tool's air vents. The motor's fan will draw the dust inside the housing and excessive accumulation of powdered metal may cause electrical hazards.*
- o) *Do not operate the power tool near flammable materials. Sparks could ignite these materials.*
- p) *Do not use accessories that require liquid coolants. Using water or other liquid coolants may result in electrocution or shock.*
- q) *Do not use Type 11 (flaring cup) wheels on this tool. Using inappropriate accessories can result in injury.*
- r) *Always use side handle. Tighten the handle securely. The side handle should always be used to maintain control of the tool at all times.*
- s) *When starting the tool with a new or replacement wheel, or a new or replacement wire brush installed, hold the tool in a well protected area and let it run for one minute. If the wheel has an undetected crack or flaw, it should burst in less than one minute. If the wire brush has loose wires, they will be detected.*

ENGLISH

Never start the tool with a person in line with the wheel. This includes the operator.

- t) **Use of accessories not specified in this manual is not recommended and may be hazardous.** Use of power boosters that would cause the tool to be driven at speeds greater than its rated speed constitutes misuse.
- u) **Use clamps or another practical way to secure and support the workpiece to a stable platform.** Holding the work by hand or against your body leaves it unstable and may lead to loss of control.
- v) **Avoid bouncing the wheel or giving it rough treatment.** If this occurs, stop the tool and inspect the wheel for cracks or flaws.
- w) Always handle and store wheels in a careful manner.
- x) **Do not operate this tool for long periods of time. Vibration caused by the operating action of this tool may cause permanent injury to fingers, hands, and arms.** Use gloves to provide extra cushion, take frequent rest periods, and limit daily time of use.
- y) **Air vents often cover moving parts and should be avoided.** Loose clothes, jewelry or long hair can be caught in moving parts.

Kickback and Related Warnings

Kickback is a sudden reaction to a pinched or snagged rotating wheel, backing pad, brush or any other accessory. Pinching or snagging causes rapid stalling of the rotating accessory which in turn causes the uncontrolled power tool to be forced in the direction opposite of the accessory's rotation at the point of the binding.

For example, if an abrasive wheel is snagged or pinched by the workpiece, the edge of the wheel that is entering into the pinch point can dig into the surface of the material causing the wheel to climb out or kick out. The wheel may either jump toward or away from the operator, depending on direction of the wheel's movement at the point of pinching. Abrasive wheels may also break under these conditions.

Kickback is the result of tool misuse and/or incorrect operating procedures or conditions and can be avoided by taking proper precautions as given below:

- a) **Maintain a firm grip on the power tool and position your body and arm to allow you to resist kickback forces. Always use auxiliary handle, if provided, for maximum control over kickback or torque reaction during start up.** The operator can control torque reaction or kickback forces, if proper precautions are taken.
- b) **Never place your hand near the rotating accessory.** Accessory may kickback over your hand.
- c) **Do not position your body in the area where power tool will move if kickback occurs.** Kickback will propel the tool in direction opposite to the wheel's movement at the point of snagging.
- d) **Use special care when working corners, sharp edges etc. Avoid bouncing and snagging the accessory.** Corners, sharp edges or bouncing have

a tendency to snag the rotating accessory and cause loss of control or kickback.

- e) **Do not attach a saw chain woodcarving blade or toothed saw blade.** Such blades create frequent kickback and loss of control.

Safety Warnings Specific for Grinding and Abrasive Cutting-Off Operations

- a) **Use only wheel types that are recommended for your power tool and the specific guard designed for the selected wheel.** Wheels for which the power tool was not designed cannot be adequately guarded and are unsafe.
- b) **The grinding surface of center depressed wheels must be mounted below the plane of the guard lip.** An improperly mounted wheel that projects through the plane of the guard lip cannot be adequately protected.
- c) **The guard must be securely attached to the power tool and positioned for maximum safety, so the least amount of wheel is exposed towards the operator.** The guard helps to protect the operator from broken wheel fragments, accidental contact with wheel and sparks that could ignite clothing.
- d) **Wheels must be used only for recommended applications. For example: do not grind with the side of cut-off wheel.** Abrasive cut-off wheels are intended for peripheral grinding, side forces applied to these wheels may cause them to shatter.
- e) **Always use undamaged wheel flanges that are of correct size and shape for your selected wheel. Proper wheel flanges support the wheel thus reducing the possibility of wheel breakage.** Flanges for cut-off wheels may be different from grinding wheel flanges.
- f) **Do not use worn down wheels from larger power tools.** Wheel intended for larger power tool is not suitable for the higher speed of a smaller tool and may burst.

Additional Safety Warnings Specific for Abrasive Cutting-Off Operations

- a) **Do not "jam" the cut-off wheel or apply excessive pressure. Do not attempt to make an excessive depth of cut.** Overstressing the wheel increases the loading and susceptibility to twisting or binding of the wheel in the cut and the possibility of kickback or wheel breakage.
- b) **Do not position your body in line with and behind the rotating wheel.** When the wheel, at the point of operation, is moving away from your body, the possible kickback may propel the spinning wheel and the power tool directly at you.
- c) **When wheel is binding or when interrupting a cut for any reason, switch off the power tool and hold the power tool motionless until the**

wheel comes to a complete stop. Never attempt to remove the cut-off wheel from the cut while the wheel is in motion otherwise kickback may occur. Investigate and take corrective action to eliminate the cause of wheel binding.

- d) **Do not restart the cutting operation in the workpiece. Let the wheel reach full speed and carefully reenter the cut.** The wheel may bind, walk up or kickback if the power tool is restarted in the workpiece.
- e) **Support panels or any oversized workpiece to minimize the risk of wheel pinching and kickback. Large workpieces tend to sag under their own weight.** Supports must be placed under the workpiece near the line of cut and near the edge of the workpiece on both sides of the wheel.
- f) **Use extra caution when making a “pocket cut” into existing walls or other blind areas.** The protruding wheel may cut gas or water pipes, electrical wiring or objects that can cause kickback.

Safety Warnings Specific for Sanding Operations

- a) **Do not use excessively oversized sanding disc paper. Follow manufacturers recommendations, when selecting sanding paper.** Larger sanding paper extending beyond the sanding pad presents a laceration hazard and may cause snagging, tearing of the disc or kickback.

Safety Warnings Specific for Wire Brushing Operations

- a) **Be aware that wire bristles are thrown by the brush even during ordinary operation. Do not overstress the wires by applying excessive load to the brush.** The wire bristles can easily penetrate light clothing and/or skin.
- b) **If the use of a guard is recommended for wire brushing, do not allow any interference of the wire wheel or brush with the guard.** Wire wheel or brush may expand in diameter due to work and centrifugal forces.
- c) **Safety goggles or safety glasses with side shields and a full face shield compliant with ANSI Z87.1 MUST be worn by the operator and others that are within 50' (15.2 m) of the use of this product.**

Additional Safety Information



WARNING: ALWAYS use safety glasses. Everyday eyeglasses are NOT safety glasses. Also use face or dust mask if cutting operation is dusty. ALWAYS WEAR CERTIFIED SAFETY EQUIPMENT:

- ANSI Z87.1 eye protection (CAN/CSA Z94.3),
- ANSI S12.6 (S3.19) hearing protection,
- NIOSH/OSHA/MSHA respiratory protection.



WARNING: Some dust created by power sanding, sawing, grinding, drilling, and other construction

activities contains chemicals known to the State of California to cause cancer, birth defects or other reproductive harm. Some examples of these chemicals are:

- lead from lead-based paints,
- crystalline silica from bricks and cement and other masonry products, and
- arsenic and chromium from chemically-treated lumber.

Your risk from these exposures varies, depending on how often you do this type of work. To reduce your exposure to these chemicals: work in a well ventilated area, and work with approved safety equipment, such as those dust masks that are specially designed to filter out microscopic particles.

- **Avoid prolonged contact with dust from power sanding, sawing, grinding, drilling, and other construction activities. Wear protective clothing and wash exposed areas with soap and water.** Allowing dust to get into your mouth, eyes, or lay on the skin may promote absorption of harmful chemicals.



WARNING: Use of this tool can generate and/or disperse dust, which may cause serious and permanent respiratory or other injury. Always use NIOSH/OSHA approved respiratory protection appropriate for the dust exposure. Direct particles away from face and body.



WARNING: Always wear proper personal hearing protection that conforms to ANSI S12.6 (S3.19) during use. Under some conditions and duration of use, noise from this product may contribute to hearing loss.

- **An extension cord must have adequate wire size (AWG or American Wire Gauge) for safety.** The smaller the gauge number of the wire, the greater the capacity of the cable, that is, 16 gauge has more capacity than 18 gauge. An undersized cord will cause a drop in line voltage resulting in loss of power and overheating. When using more than one extension to make up the total length, be sure each individual extension contains at least the minimum wire size. The following table shows the correct size to use depending on cord length and nameplate ampere rating. If in doubt, use the next heavier gauge. The lower the gauge number, the heavier the cord.

Minimum Gauge for Cord Sets					
Volts	Total Length of Cord in Feet (meters)				
	120 V	25 (7.6)	50 (15.2)	100 (30.5)	150 (45.7)
240 V	50 (15.2)	100 (30.5)	200 (61.0)	300 (91.4)	
Ampere Rating		American Wire Gauge			
More Than	Not More Than				
0	6	18	16	16	14
6	10	18	16	14	12
10	12	16	16	14	12
12	16	14	12	Not Recommended	

The label on your tool may include the following symbols. The symbols and their definitions are as follows:

ENGLISH

V.....volts	⎓ or AC/DC.....alternating or direct current
Hz.....hertz	□.....Class II Construction (double insulated)
min.....minutes	n ₀no load speed
— or DC.....direct current	n.....rated speed
⚠.....Class I Construction (grounded)	⏚.....earthing terminal
.../min.....per minute	⚠.....safety alert symbol
BPM.....beats per minute	☠.....visible radiation
IPM.....impacts per minute	☑.....wear respiratory protection
RPM.....revolutions per minute	☑.....wear eye protection
sfpn.....surface feet per minute	👂.....wear hearing protection
SPM.....strokes per minute	📖.....read all documentation
A.....amperes	
W.....watts	
⎓ or AC.....alternating current	

Lanyard Connection (Fig. B)

Safety Warnings Specific for Use At Height



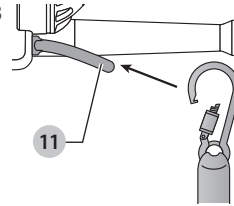
WARNING: If the tool is dropped for any reason the lanyard connection must be inspected and properly serviced prior to re-use. The lanyard connection is designed to stretch to absorb the shock of a drop. Any permanent stretch to the connection exposing the red marked internal coils indicates it has been compromised and must be serviced prior to re-use.

- Always keep the tool and accessories tethered when working "at height". [Maximum lanyard length: 6 ft (2 m)]
- Use only with lanyards appropriate for this tool type and rated for at least 15 lbs (6.8 Kg).
- **Crush, cut or entanglement hazard.** Do not use near moving parts, mechanisms or running machinery.
- Do not anchor the tool lanyard to anything on your body. Anchor to a rigid structure that can withstand the forces of a dropped tool.
- Make sure the lanyard is properly secure at each end prior to use.
- Inspect tool and lanyard before each use for damage and proper function (including fabric and stitching). Do not use if damaged or not functioning properly.
- Do not alter the lanyard connection or use in a manner other than as instructed in this manual.
- Only attach tool to a lanyard with a locking carabiner. Do not attach by looping or knotting the lanyard. Do not use rope or cord.
- Electrical shock hazard. Be sure power is off when working in high voltage areas. Some lanyards are conductive.
- Dropped tools will swing on the lanyard, which could cause injury or loss of balance.
- Do not carry the tool by attachment device or the lanyard.
- Do not attach more than one tool to each lanyard.
- Only use appropriate DeWALT brand attachment point. NEVER modify tools to create attachment points.

- Only transfer the tool between hands while properly balanced in a stable orientation.
- Do not attach lanyards to tool in a way that keeps guards, switches or lock-offs from operating properly.
- Avoid getting tangled in the lanyard.
- Keep lanyard away from the cutting area of the tool.
- Do not use lanyards or attachment devices to get additional leverage from the tool.
- Do not use for personal fall protection.
- **Falling object hazard!** Only change accessories and attachments where a dropped object won't cause a hazard below you. Consult your AHJ or site supervisor for procedures for working at height.
- Use multi-action and screw gate type carabiners. Do not use single action spring clip carabiners.

The lanyard connection **11** is intended for use by competent personnel, who are trained and knowledgeable regarding working with tools in and around machinery and "at height". A lanyard connection may be added to certain models by an authorized service center.

Fig. B



SAVE THESE INSTRUCTIONS FOR FUTURE USE

Motor

Be sure your power supply agrees with the nameplate marking. Voltage decrease of more than 10% will cause loss of power and overheating. DeWALT tools are factory tested; if this tool does not operate, check power supply.

COMPONENTS (FIG. A)



WARNING: Never modify the power tool or any part of it. Damage or personal injury could result.

Refer to Figure A at the beginning of this manual for a complete list of components.

Intended Use

Your heavy-duty small angle grinder has been designed for professional grinding, sanding, wire brush, and cut-off applications at various work sites (i.e., construction sites).

DO NOT use under wet conditions or in presence of flammable liquids or gases.

Your heavy-duty small angle grinder is a professional power tool. **DO NOT** let children come into contact with the tool. Supervision is required when inexperienced operators use this tool.

Features

E-switch Protection™

The ON/OFF switch has a no-volt release function. In the event of a power outage or other unexpected shut down, the switch will need to be cycled (turned off and then on) to restart tool.

E-Clutch™

This unit is equipped with an E-Clutch™ (Electronic Clutch), which in the event of a stall or wheel pinch, the unit will be shut off to reduce the reaction torque to the user. The switch needs to be cycled (turned off and then on) to restart tool.

Brake

When the trigger switch is released the motor immediately turns off and electronically brakes stopping the accessory quickly.

Kickback Brake™

When a severe pinch, stall, or bind-up event is sensed the electronic brake engages with maximum force to quickly stop the wheel, reduce the movement of the grinder, and shut the grinder off. Turn the unit on to restart tool.

Constant Clutch™

When overloaded or stalled the motor torque is reduced. If load is reduced the torque and RPM will increase. If the tool is stalled for an extended amount of time it will shut-off and require the switch to cycle to restart.

LED Indicator (Fig. A)

The LED indicator **10** will remain lit green during normal activity, or blink in a pattern of red light to alert you a tool protection feature has been activated. Refer to the **LED Guide** at the back of this manual for explanations of blink patterns.

ASSEMBLY AND ADJUSTMENTS



WARNING: To reduce the risk of serious personal injury, turn unit off and disconnect it from power source before making any adjustments or removing/installing attachments or accessories. An accidental start-up can cause injury.

Accessories

The capacity of the DWE43265N is 6" (150 mm) diameter x 1/4" (6.35 mm) thick grinding wheels.

It is important to choose the correct guards, backing pads and flanges to use with grinder accessories. See page 14 for information on choosing the correct accessories.



WARNING: Handle and store all abrasive wheels carefully to prevent damage from thermal shock, heat, mechanical damage, etc. Store in a dry protected area free from high humidity, freezing temperatures or extreme temperature changes.

Attaching Side Handle (Fig. A)



WARNING: Before using the tool, check that the handle is tightened securely.

Screw the side handle **5** tightly into one of the holes on either side of the gear case. The side handle should always be used to maintain control of the tool at all times.

Guards



CAUTION: Guards must be used with all grinding wheels, cutting wheels, sanding flap discs, wire brushes, and wire wheels. The tool may be used without a guard only when sanding with conventional sanding discs. Refer to Figure A to see guards provided with the unit. Some applications may require purchasing the correct guard from your local dealer or authorized service center.

NOTE: Edge grinding and cutting can be performed with Type 27 wheels designed and specified for this purpose; 1/4" (6.35 mm) thick wheels are designed for surface grinding while thinner Type 27 wheels need to be examined for the manufacturer's label to see if they can be used for surface grinding or only edge grinding/cutting. A Type 1 guard must be used for any wheel where surface grinding is forbidden. Cutting can also be performed by using a Type 41 wheel and a Type 1 guard.

NOTE: See the **Accessories Chart** to select the proper guard / accessory combination.

Adjusting and Mounting Guard (Fig. C, D)



CAUTION: Turn unit off and unplug the tool before making any adjustments or removing or installing attachments or accessories.



CAUTION: BEFORE operating the tool, identify which guard adjustment option your tool is set to.

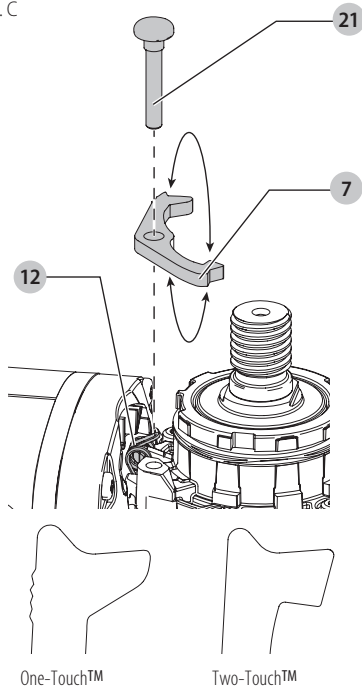
Adjustment Options

For guard adjustment, the guard release lever **7** engages one of the alignment holes **13** on the guard collar using a ratcheting feature. Your grinder offers two options for this adjustment.

- **One-touch™:** In this position the engaging face is slanted and will ride over to the next alignment hole when guard is rotated in a clockwise direction (spindle facing user) but self-locks in the counter-clockwise direction.
- **Two-touch™:** In this position the engaging face is straight and squared off. It will NOT ride over to the next alignment hole unless guard release lever is pressed and held while simultaneously rotating the guard in either a clockwise or counter-clockwise direction (spindle facing user).

ENGLISH

Fig. C



Setting Guard Adjustment Options

To adjust the guard release lever 7 for desired adjustment option:

1. Remove screw 21 using a T20 bit.
2. Remove the guard release lever taking note of the spring position. Choose the end of the lever for the desired adjustment option. One-touch will use the slanted end of the lever 7 to engage the alignment holes 13 on the guard collar. Two-touch will use the squared end to engage the alignment holes 13 on the guard collar.
3. Replace the lever, positioning the chosen end under the spring 12. Ensure the lever is in proper contact with the spring.
4. Replace screw and torque to 2.0-3.0N-m. Ensure proper installation with spring return function by depressing guard release lever 7.

Mounting Guard (Fig. D)

CAUTION: Prior to mounting guard, ensure the screw, lever, and spring are fitted correctly before mounting the guard.

1. With the spindle facing the operator, press and hold the guard release lever 7.
2. Align the lugs 14 on the guard with the slots 15 on the gear case cover.
3. Push the guard down until the guard lugs engage and rotate them in the groove on the gear case cover. Release the guard release lever.

To position the guard:

One-touch™: Rotate the guard clockwise into the

desired working position. Press and hold the guard release lever 7 to rotate the guard in the counter-clockwise direction.

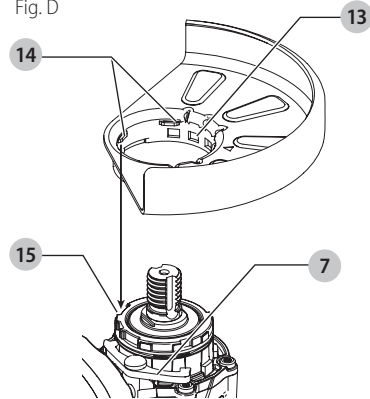
Two-touch™: Press and hold the guard release lever 7. Rotate the guard clockwise or counter-clockwise into the desired working position.

NOTE: The guard body should be positioned between the spindle and the operator to provide maximum operator protection.

The guard release lever should snap into one of the alignment holes 13 on the guard collar. This ensures that the guard is secure.

4. To remove the guard, follow steps 1–3 of these instructions in reverse.

Fig. D



Flanges and Wheels

CAUTION: Turn unit off and unplug the tool before making any adjustments or removing or installing attachments or accessories.

Mounting Non-Hubbed Wheels (Fig. E)

WARNING: Failure to properly seat the flanges and/or wheel could result in serious injury (or damage to the tool or wheel).

CAUTION: Included flanges must be used with depressed center Type 27/42 grinding wheels and Type 1/41 cutting wheels. See the **Accessories Chart** for more information.

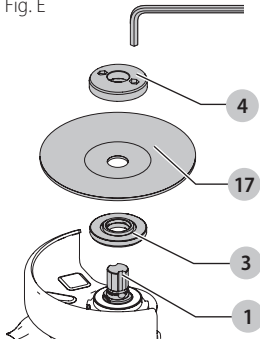
WARNING: A closed, two-sided cutting wheel guard is required when using abrasive cutting wheels or diamond coated cutting wheels.

WARNING: Use of a damaged flange or guard or failure to use proper flange and guard can result in injury due to wheel breakage and wheel contact. See the **Accessories Chart** for more information.

1. Place the tool on a table, guard up.
2. Install the unthreaded backing flange 3 on spindle 1 with the raised center (pilot) facing the wheel.
3. Place wheel 17 against the backing flange, centering the wheel on the raised center (pilot) of the backing flange.

4. While depressing the spindle lock button and with the hex depressions facing away from the wheel, thread the threaded locking flange **4** on spindle so that the lugs engage the two slots in the spindle.
5. While depressing the spindle lock button, tighten the threaded locking flange **4** using a Hex wrench.
6. To remove the wheel, depress the spindle lock button and loosen the threaded locking flange.

Fig. E



Mounting Sanding Backing Pads (Fig. A, F)

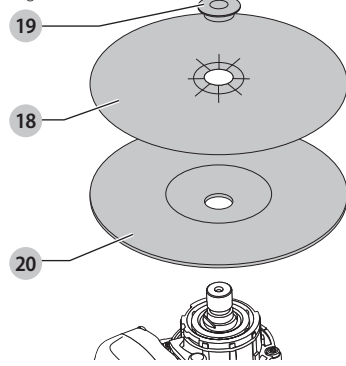
NOTE: Use of a guard with sanding discs that use backing pads, often called fiber resin discs, is not required. Since a guard is not required for these accessories, the guard may or may not fit correctly if used.

! WARNING: Failure to properly seat the clamp nut and/or pad could result in serious injury (or damage to the tool or wheel).

! WARNING: Proper guard must be reinstalled for grinding wheel, cutting wheel, sanding flap disc, wire brush or wire wheel applications after sanding applications are complete.

1. Place or appropriately thread backing pad **20** on the spindle.
2. Place the sanding disc **18** on the backing pad **20**.
3. While depressing spindle lock button **2**, thread the sanding clamp nut **19** on spindle, piloting the raised hub on the clamp nut into the center of sanding disc and backing pad.
4. Tighten the clamp nut by hand. Then depress the spindle lock button while turning the sanding disc until the sanding disc and clamp nut are snug.
5. To remove the wheel, grasp and turn the backing pad and sanding pad while depressing the spindle lock button.

Fig. F



Mounting and Removing Hubbed Wheels (Fig. A)

Hubbed wheels install directly on the spindle. Thread of accessory must match thread of spindle.

1. Remove backing flange by pulling away from tool.
2. Thread the wheel on the spindle **1** by hand.
3. Depress the spindle lock button **2** and use a wrench to tighten the hub of the wheel.
4. Reverse the above procedure to remove the wheel.

NOTICE: Failure to properly seat the wheel before turning the tool on may result in damage to the tool or the wheel.

Mounting Wire Cup Brushes and Wire Wheels (Fig. A)

! WARNING: Failure to properly seat the brush/wheel could result in serious injury (or damage to the tool or wheel).

! CAUTION: To reduce the risk of personal injury, wear work gloves when handling wire brushes and wheels. They can become sharp.

! CAUTION: To reduce the risk of damage to the tool, wheel or brush must not touch guard when mounted or while in use. Undetectable damage could occur to the accessory, causing wires to fragment from accessory wheel or cup.

Wire cup brushes or wire wheels install directly on the threaded spindle without the use of flanges. Use only wire brushes or wheels provided with a threaded hub. These accessories are available at extra cost from your local dealer or authorised service center.

1. Place the tool on a table, guard up.
2. Thread the wheel on the spindle by hand.
3. Depress spindle lock button **2** and use a wrench on the hub of the wire wheel or brush to tighten the wheel.
4. To remove the wheel, reverse the above procedure.

NOTICE: To reduce the risk of damage to the tool, properly seat the wheel hub before turning the tool on.

Prior to Operation

- Install the guard and appropriate disc or wheel. Do not use excessively worn discs or wheels.

ENGLISH

- Be sure the backing and threaded locking flange are mounted correctly. Follow the instructions given in the **Accessories Chart**.
- Make sure the disc or wheel rotates in the direction of the arrows on the accessory and the tool.
- Do not use a damaged accessory. Before each use inspect the accessory such as abrasive wheels for chips and cracks, backing pad for cracks, tear or excess wear, wire brush for loose or cracked wires. If power tool or accessory is dropped, inspect for damage or install an undamaged accessory. After inspecting and installing an accessory, position yourself and bystanders away from the plane of the rotating accessory and run the power tool at maximum no-load speed for one minute. Damaged accessories will normally break apart during this test time.

OPERATION

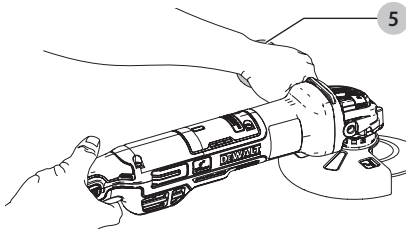
- WARNING:** To reduce the risk of serious personal injury, turn unit off and disconnect it from power source before making any adjustments or removing/installing attachments or accessories. An accidental start-up can cause injury.

Proper Hand Position (Fig. G)

- WARNING:** To reduce the risk of serious personal injury, ALWAYS use proper hand position as shown.
- WARNING:** To reduce the risk of serious personal injury, ALWAYS hold securely in anticipation of a sudden reaction.

Proper hand position requires one hand on the side handle **5**, with the other hand on the body of the tool, as shown in Figure G.

Fig. G

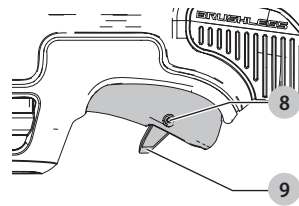


Trigger Switch and Lock-off Lever (Fig. H)

- WARNING:** Before using the tool, check that the side handle is tightened securely.
- CAUTION:** Hold the side handle and body of the tool firmly to maintain control of the tool at start up and during use and until the wheel or accessory stops rotating. Make sure the wheel has come to a complete stop before laying the tool down.
1. To turn the tool on, push the lock-off lever **9** toward the back of the tool, then depress the trigger switch **8**. The tool will run while the switch is depressed.
 2. Turn the tool off by releasing the releasing switch.

- WARNING:** Allow the tool to reach full speed before touching tool to the work surface. Lift the tool from the work surface before turning the tool off.

Fig. H



Spindle Lock (Fig. A)

The spindle lock **2** is provided to prevent the spindle from rotating when installing or removing wheels. Operate the spindle lock only when the tool is turned off, unplugged from the power supply, and has come to a complete stop.

NOTICE: To reduce the risk of damage to the tool, do not engage the spindle lock while the tool is operating. Damage to the tool will result and attached accessory may spin off possibly resulting in injury.

To engage the lock, depress the spindle lock button and rotate the spindle until you are unable to rotate the spindle further.

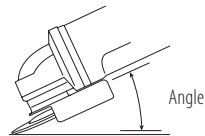
Surface Grinding, Sanding and Wire Brushing (Fig. I)

- CAUTION:** Always use the correct guard per the instructions in this manual.
- WARNING:** Metal dust build-up. Extensive use of flap discs in metal applications can result in the increased potential for electric shock. To reduce this risk, insert an RCD before use and clean the ventilation slots daily by blowing dry compressed air into the ventilation slots in accordance with the below maintenance instructions.

To perform work on the surface of a workpiece:

1. Allow the tool to reach full speed before touching the tool to the work surface.
2. Apply minimum pressure to the work surface, allowing the tool to operate at high speed. Material removal rate is greatest when the tool operates at high speed.

Fig. I



3. Maintain an appropriate angle between the tool and work surface. Refer to the chart according to particular function.

Function	Angle
Grinding	20°-30°
Sanding with Flap Disc	5°-10°
Sanding with Backing Pad	5°-15°
Wire Brushing	5°-10°

4. Maintain contact between the edge of the wheel and the work surface.

- If grinding, sanding with flap discs or wire brushing move the tool continuously in a forward and back motion to avoid creating gouges in the work surface.
- If sanding with a backing pad, move the tool constantly in a straight line to prevent burning and swirling of work surface.

NOTE: Allowing the tool to rest on the work surface without moving will damage the work piece.

5. Remove the tool from work surface before turning tool off. Allow the tool to stop rotating before laying it down.

CAUTION: Use extra care when working over an edge, as a sudden sharp movement of grinder may be experienced.

Precautions to Take When Working on a Painted Workpiece

1. Sanding or wire brushing of lead based paint is NOT RECOMMENDED due to the difficulty of controlling the contaminated dust. The greatest danger of lead poisoning is to children and pregnant women.
2. Since it is difficult to identify whether or not a paint contains lead without a chemical analysis, we recommend the following precautions when sanding any paint:

Personal Safety

1. No children or pregnant women should enter the work area where the paint sanding or wire brushing is being done until all clean up is completed.
2. A dust mask or respirator should be worn by all persons entering the work area. The filter should be replaced daily or whenever the wearer has difficulty breathing.

NOTE: Only those dust masks suitable for working with lead paint dust and fumes should be used. Ordinary painting masks do not offer this protection. See your local hardware dealer for the proper N.I.O.S.H. approved mask.
3. NO EATING, DRINKING or SMOKING should be done in the work area to prevent ingesting contaminated paint particles. Workers should wash and clean up BEFORE eating, drinking or smoking. Articles of food, drink, or smoking should not be left in the work area where dust would settle on them.

Environmental Safety

1. Paint should be removed in such a manner as to minimize the amount of dust generated.
2. Areas where paint removal is occurring should be sealed with plastic sheeting of 4 mils thickness.
3. Sanding should be done in a manner to reduce tracking of paint dust outside the work area.

Cleaning and Disposal

1. All surfaces in the work area should be vacuumed and thoroughly cleaned daily for the duration of the sanding project. Vacuum filter bags should be changed frequently.
2. Plastic drop cloths should be gathered up and disposed of along with any dust chips or other removal debris.

They should be placed in sealed refuse receptacles and disposed of through regular trash pick-up procedures. During clean up, children and pregnant women should be kept away from the immediate work area.

3. All toys, washable furniture and utensils used by children should be washed thoroughly before being used again.

Edge Grinding and Cutting (Fig. J)

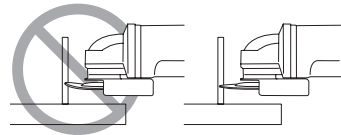
WARNING: Do not use edge grinding/cutting wheels for surface grinding applications because these wheels are not designed for side pressures encountered with surface grinding. Wheel breakage and injury may result.

CAUTION: Wheels used for edge grinding and cutting may break or kick back if they bend or twist while the tool is being used. In all edge grinding/cutting operations, the open side of the guard must be positioned away from the operator.

NOTICE: Edge grinding/cutting with a Type 27 wheel must be limited to shallow cutting and notching—less than 13 mm in depth when the wheel is new. Reduce the depth of cutting/notching equal to the reduction of the wheel radius as it wears down. Refer to the **Accessories Chart** for more information. Edge grinding/cutting with a Type 41 wheel requires usage of a Type 1 guard.

1. Allow the tool to reach full speed before touching the tool to the work surface.
2. Apply minimum pressure to the work surface, allowing the tool to operate at high speed. Grinding/cutting rate is greatest when the tool operates at high speed.
3. Position yourself so that the open-underside of the wheel is facing away from you.
4. Once a cut is begun and a notch is established in the workpiece, do not change the angle of the cut. Changing the angle will cause the wheel to bend and may cause wheel breakage. Edge grinding wheels are not designed to withstand side pressures caused by bending.

Fig. J



5. Remove the tool from the work surface before turning the tool off. Allow the tool to stop rotating before laying it down.

MAINTENANCE

WARNING: To reduce the risk of serious personal injury, turn unit off and disconnect it from power source before making any adjustments or removing/installing attachments or accessories. An accidental start-up can cause injury.

ENGLISH

Cleaning



WARNING: Blow dirt and dust out of all air vents with clean, dry air at least once a week. To minimize the risk of eye injury, always wear ANSI Z87.1 approved eye protection when performing this.



WARNING: Never use solvents or other harsh chemicals for cleaning the non-metallic parts of the tool. These chemicals may weaken the plastic materials used in these parts. Use a cloth dampened only with water and mild soap. Never let any liquid get inside the tool; never immerse any part of the tool into a liquid.

Accessories



WARNING: Since accessories, other than those offered by DeWALT, have not been tested with this product, use of such accessories with this tool could be hazardous. To reduce the risk of injury, only DeWALT recommended accessories should be used with this product.

Recommended accessories for use with your tool are available at extra cost from your local dealer or authorized service center. If you need assistance in locating any accessory, please contact DeWALT Industrial Tool Co., 701 East Joppa Road, Towson, MD 21286, call 1-800-4-DeWALT (1-800-433-9258) or visit our website: www.dewalt.com.

Repairs



WARNING: To assure product SAFETY and RELIABILITY, repairs, maintenance and adjustment (including brush inspection and replacement) should be performed by a DeWALT factory service center or a DeWALT authorized service center. Always use identical replacement parts.

Register Online

Thank you for your purchase. Register your product now for:

- **WARRANTY SERVICE:** Registering your product will help you obtain more efficient warranty service in case there is a problem with your product.
- **CONFIRMATION OF OWNERSHIP:** In case of an insurance loss, such as fire, flood or theft, your registration of ownership will serve as your proof of purchase.
- **FOR YOUR SAFETY:** Registering your product will allow us to contact you in the unlikely event a safety notification is required under the Federal Consumer Safety Act.

Register online at www.dewalt.com/register.

Three Year Limited Warranty

DeWALT will repair, without charge, any defects due to faulty materials or workmanship for three years from the date of purchase. This warranty does not cover part failure due to normal wear or tool abuse. For further detail of warranty coverage and warranty repair information, visit www.dewalt.com or call 1-800-4-DeWALT (1-800-433-9258). This warranty does not apply to accessories

or damage caused where repairs have been made or attempted by others. THIS LIMITED WARRANTY IS GIVEN IN LIEU OF ALL OTHERS, INCLUDING THE IMPLIED WARRANTY OF MERCHANTABILITY AND FITNESS FOR A PARTICULAR PURPOSE, AND EXCLUDES ALL INCIDENTAL OR CONSEQUENTIAL DAMAGES. Some states do not allow limitations on how long an implied warranty lasts or the exclusion or limitation of incidental or consequential damages, so these limitations may not apply to you. This warranty gives you specific legal rights and you may have other rights which vary in certain states or provinces.

In addition to the warranty, DeWALT tools are covered by our:

1 YEAR FREE SERVICE

DeWALT will maintain the tool and replace worn parts caused by normal use, for free, any time during the first year after purchase.

90 DAY MONEY BACK GUARANTEE






If you are not completely satisfied with the performance of your DeWALT Power Tool, Laser, or Nailer for any reason, you can return it within 90 days from the date of purchase with a receipt for a full refund – no questions asked.

LATIN AMERICA: This warranty does not apply to products sold in Latin America. For products sold in Latin America, see country specific warranty information contained in the packaging, call the local company or see website for warranty information.

FREE WARNING LABEL REPLACEMENT: If your warning labels become illegible or are missing, call 1-800-4-DeWALT (1-800-433-9258) for a free replacement.

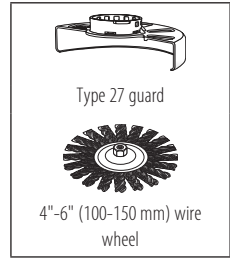
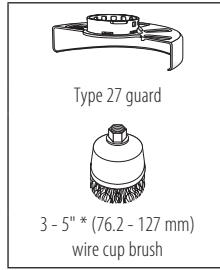
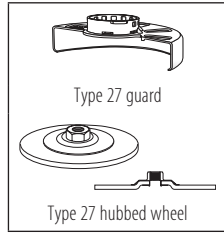
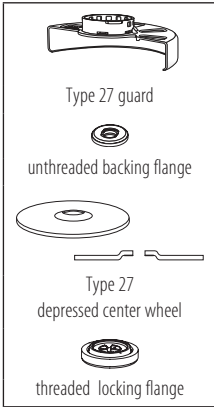
LED Guide

The section provides a list of possible LED blink patterns, their causes and corrective solutions. The user or maintenance personnel can perform some corrective actions, and others may require the assistance of qualified DeWALT technician or your dealer.

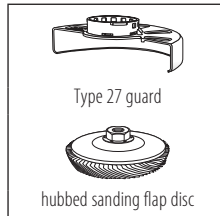
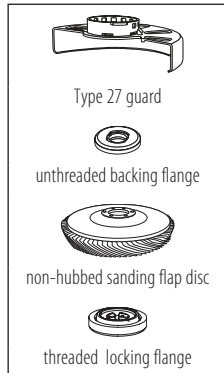
 No-Volt Protection	
Problem	Solution
The switch is in the on position and power has been applied. The unit stayed off.	Cycle the switch to restart.
 Kick Back Brake	
Problem	Solution
A pinch has been sensed by the tool and the kickback brake has activated.	Inspect accessory for damage from pinch and replace if necessary. Adjust work piece and tool position as necessary and cycle switch to restart.
 Thermal Protection	
Problem	Solution
The unit has shut down to prevent permanent damage due to overheating.	Ensure intake and exhaust vents are not blocked by users hands, clothing or debris during use. Reduce frequency of feathering the tool on/off and cycle switch to restart and/or unplug the unit and then plug it back in.
 Stall/Overload Protection	
Problem	Solution
The unit has been in a stalled condition for an extended period and it has shut down.	Remove load from tool and cycle the switch to restart.
 Problem Power Line	
Problem	Solution
The unit is running on a poor quality power source like a low quality generator. This power may damage the tool.	Try another power source, reduce extension cord length or reduce equipment used on the power source at one time.

ACCESSORIES CHART

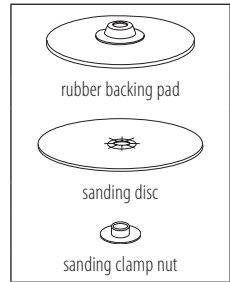
5" (125 mm) and 6" (150 mm) Grinding Wheels



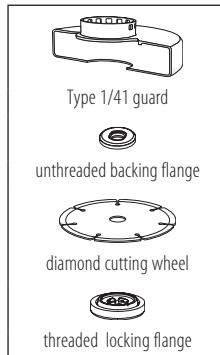
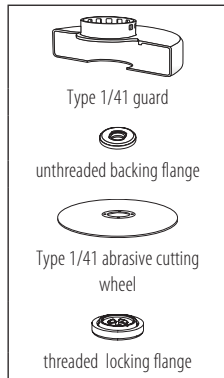
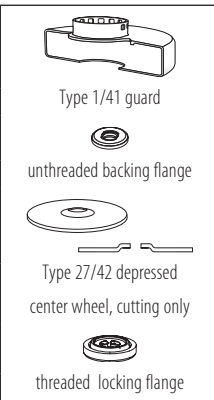
5" (125 mm) and 6" (150 mm) Sanding Flap Discs



Sanding Discs



5" (125 mm) and 6" (150 mm) Cutting Wheels



! Type 1/41 guards are intended for use with Type 1/41 cutting wheels and Type 27 wheels marked for cutting only. Grinding with wheels other than Type 27 and Type 29 require different accessory guards. Always use the smallest proper guard possible that does not contact the accessory.

Définitions : symboles et termes d'alarmes sécurité

Ces guides d'utilisation utilisent les symboles et termes d'alarmes sécurité suivants pour vous prévenir de situations dangereuses et de risques de dommages corporels ou matériels.



DANGER : indique une situation dangereuse imminente qui, si elle n'est pas évitée, **entraînera la mort ou des blessures graves**.



AVERTISSEMENT : indique une situation potentiellement dangereuse qui, si elle n'est pas évitée, **pourrait entraîner la mort ou des blessures graves**.



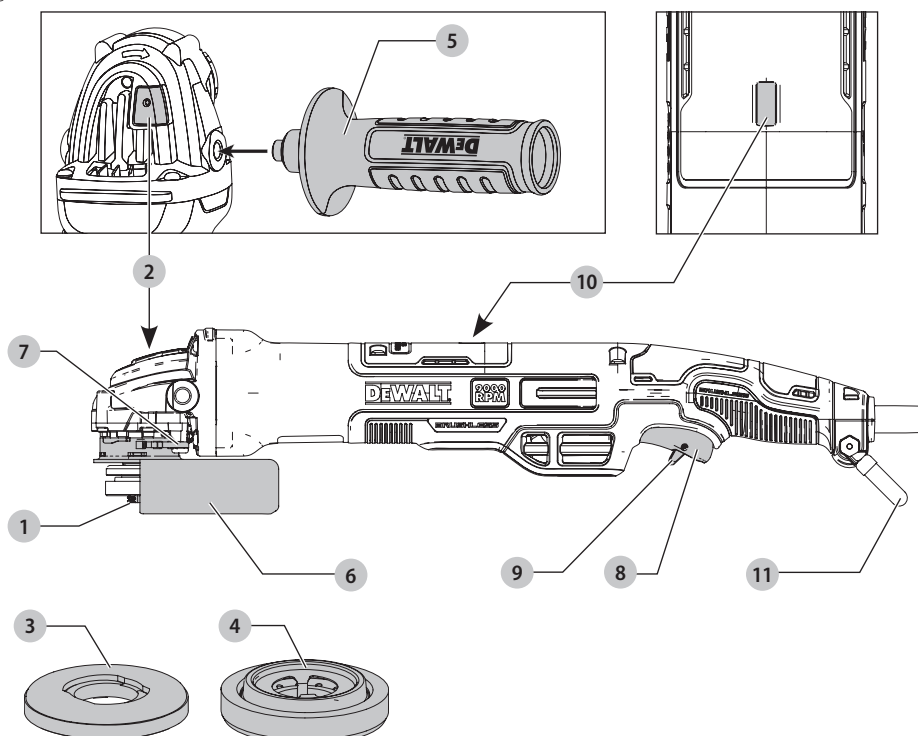
ATTENTION : indique une situation potentiellement dangereuse qui, si elle n'est pas évitée, **pourrait entraîner des blessures légères ou modérées**.



(Si utilisé sans aucun terme) Indique un message propre à la sécurité.

AVIS : indique une pratique ne posant **aucun risque de dommages corporels** mais qui par contre, si rien n'est fait pour l'éviter, **pourrait poser des risques de dommages matériels**.

Fig. A



- 1 Broche
- 2 Bouton de verrouillage de la broche
- 3 Bride de soutien non fileté
- 4 Bride de verrouillage taraudée
- 5 Poignée latérale
- 6 Carter
- 7 Levier de déverrouillage du carter
- 8 Gâchette
- 9 Verrouillage de gâchette
- 10 Témoin DEL
- 11 Dispositif de connexion du cordage d'amarrage



AVERTISSEMENT! lire tous les avertissements de sécurité et toutes les directives. Le non-respect des avertissements et des directives pourrait se solder par un choc électrique, un incendie et/ou une blessure grave.



AVERTISSEMENT : afin de réduire le risque de blessures, lire le mode d'emploi de l'outil.

Pour toute question ou remarque au sujet de cet outil ou de tout autre outil DeWALT, composez le numéro sans frais : 1-800-4-DeWALT (1-800-433-9258).

AVERTISSEMENTS DE SÉCURITÉ GÉNÉRAUX POUR LES OUTILS ÉLECTRIQUES

! **AVERTISSEMENT!** lire tous les avertissements de sécurité et toutes les directives. Le non-respect des avertissements et des directives pourrait se solder par un choc électrique, un incendie et/ou une blessure grave.

CONSERVER TOUS LES AVERTISSEMENTS ET TOUTES LES DIRECTIVES POUR UN USAGE ULTÉRIEUR

Le terme « outil électrique » cité dans les avertissements se rapporte à votre outil électrique à alimentation sur secteur (avec fil) ou par piles (sans fil).

1) Sécurité du lieu de travail

- Tenir l'aire de travail propre et bien éclairée.**
Les lieux encombrés ou sombres sont propices aux accidents.
- Ne pas faire fonctionner d'outils électriques dans un milieu déflamant, tel qu'en présence de liquides, de gaz ou de poussières inflammables.**
Les outils électriques produisent des étincelles qui pourraient enflammer la poussière ou les vapeurs.
- Éloigner les enfants et les personnes à proximité pendant l'utilisation d'un outil électrique.** Une distraction pourrait en faire perdre la maîtrise à l'utilisateur.

2) Sécurité en matière d'électricité

- Les fiches des outils électriques doivent correspondre à la prise. Ne jamais modifier la fiche d'aucune façon. Ne jamais utiliser de fiche d'adaptation avec un outil électrique mis à la terre.** Le risque de choc électrique sera réduit par l'utilisation de fiches non modifiées correspondant à la prise.
- Éviter tout contact physique avec des surfaces mises à la terre comme des tuyaux, des radiateurs, des cuisinières et des réfrigérateurs.** Le risque de choc électrique est plus élevé si votre corps est mis à la terre.
- Ne pas exposer les outils électriques à la pluie ou à l'humidité.** La pénétration de l'eau dans un outil électrique augmente le risque de choc électrique.
- Ne pas utiliser le cordon de façon abusive. Ne jamais utiliser le cordon pour transporter, tirer ou débrancher un outil électrique. Tenir le cordon éloigné de la chaleur, de l'huile, des bords tranchants et des pièces mobiles.** Les cordons endommagés ou enchevêtrés augmentent les risques de choc électrique.
- Pour l'utilisation d'un outil électrique à l'extérieur, se servir d'une rallonge convenant à cette application.** L'utilisation d'une rallonge conçue pour l'extérieur réduira les risques de choc électrique.

- S'il est impossible d'éviter l'utilisation d'un outil électrique dans un endroit humide, brancher l'outil dans une prise ou sur un circuit d'alimentation dotés d'un disjoncteur de fuite à la terre (GFCI).** L'utilisation de ce type de disjoncteur réduit les risques de choc électrique.

3) Sécurité personnelle

- Être vigilant, surveiller le travail effectué et faire preuve de jugement lorsqu'un outil électrique est utilisé. Ne pas utiliser d'outil électrique en cas de fatigue ou sous l'influence de drogues, d'alcool ou de médicaments.** Un simple moment d'inattention en utilisant un outil électrique peut entraîner des blessures corporelles graves.
 - Utiliser des équipements de protection individuelle. Toujours porter une protection oculaire.** L'utilisation d'équipements de protection comme un masque antipoussière, des chaussures antidérapantes, un casque de sécurité ou des protecteurs auditifs lorsque la situation le requiert réduira les risques de blessures corporelles.
 - Empêcher les démarrages intempestifs. S'assurer que l'interrupteur se trouve à la position d'arrêt avant de relier l'outil à une source d'alimentation et/ou d'insérer un bloc-piles, de ramasser ou de transporter l'outil.** Transporter un outil électrique alors que le doigt repose sur l'interrupteur ou brancher un outil électrique dont l'interrupteur est à la position de marche risque de provoquer un accident.
 - Retirer toute clé de réglage ou clé avant de démarrer l'outil.** Une clé ou une clé de réglage attachée à une partie pivotante de l'outil électrique peut provoquer des blessures corporelles.
 - Ne pas trop tendre les bras. Conserver son équilibre en tout temps.** Cela permet de mieux maîtriser l'outil électrique dans les situations imprévues.
 - S'habiller de manière appropriée. Ne pas porter de vêtements amples ni de bijoux. Garder les cheveux, les vêtements et les gants à l'écart des pièces mobiles.** Les vêtements amples, les bijoux ou les cheveux longs risquent de rester coincés dans les pièces mobiles.
 - Si des composants sont fournis pour le raccordement de dispositifs de dépoussiérage et de ramassage, s'assurer que ceux-ci sont bien raccordés et utilisés.** L'utilisation d'un dispositif de dépoussiérage peut réduire les dangers engendrés par les poussières.
- #### 4) Utilisation et entretien d'un outil électrique
- Ne pas forcer un outil électrique. Utiliser l'outil électrique approprié à l'application.** L'outil électrique approprié effectuera un meilleur travail, de façon plus sûre et à la vitesse pour laquelle il a été conçu.

- b) **Ne pas utiliser un outil électrique dont l'interrupteur est défectueux.** Tout outil électrique dont l'interrupteur est défectueux est dangereux et doit être réparé.
- c) **Débrancher la fiche de la source d'alimentation et/ou du bloc-piles de l'outil électrique avant de faire tout réglage ou changement d'accessoire ou avant de ranger l'outil.** Ces mesures préventives réduisent les risques de démarrage accidentel de l'outil électrique.
- d) **Ranger les outils électriques hors de la portée des enfants et ne permettre à aucune personne n'étant pas familière avec un outil électrique ou son mode d'emploi d'utiliser cet outil.** Les outils électriques deviennent dangereux entre les mains d'utilisateurs inexpérimentés.
- e) **Entretien des outils électriques. Vérifier si les pièces mobiles sont mal alignées ou coincées, si des pièces sont brisées ou présentent toute autre condition susceptible de nuire au bon fonctionnement de l'outil électrique. En cas de dommage, faire réparer l'outil électrique avant toute nouvelle utilisation.** Beaucoup d'accidents sont causés par des outils électriques mal entretenus.
- f) **S'assurer que les outils de coupe sont aiguisés et propres.** Les outils de coupe bien entretenus et affûtés sont moins susceptibles de se coincer et sont plus faciles à maîtriser.
- g) **Utiliser l'outil électrique, les accessoires, les forets, etc. conformément aux présentes directives en tenant compte des conditions de travail et du travail à effectuer.** L'utilisation d'un outil électrique pour toute opération autre que celle pour laquelle il a été conçu est dangereuse.

5) Réparation

- a) **Faire réparer l'outil électrique par un réparateur professionnel en n'utilisant que des pièces de rechange identiques.** Cela permettra de maintenir une utilisation sécuritaire de l'outil électrique.

CONSIGNES DE SÉCURITÉ POUR TOUTES LES OPÉRATIONS

Avertissements de sécurité communs pour les opérations de meulage, sablage, nettoyage avec brosse ou découpe par disque abrasif

- a) **Cet outil électrique est conçu pour fonctionner comme meuleuse, sableuse, brosse de nettoyage ou outil de découpe. Lisez tous les avertissements de sécurité, toutes les instructions, les illustrations et les caractéristiques fournies avec cet outil électrique.** Ne pas suivre toutes les instructions comprises aux présentes peut conduire à un choc électrique, un incendie et/ou des blessures graves.
- b) **Ne pas utiliser pour le polissage.**
- c) **Ne pas utiliser d'accessoire non conçu spécifiquement pour cet outil ou qui n'aurait pas reçu une approbation spécifique du fabricant de l'outil.** En effet, il est parfois possible de fixer un accessoire à l'outil électrique; toutefois, cela ne garantit pas une utilisation sécuritaire.
- d) **Le régime nominal de l'accessoire doit être au moins égal au régime maximal inscrit sur l'outil électrique.** Les accessoires soumis à un régime plus élevé que celui pour lequel ils sont conçus peuvent se briser et être projetés.
- e) **Le diamètre externe et l'épaisseur de l'accessoire doivent être adéquats pour la capacité de l'outil électrique.** Il est impossible de protéger l'utilisateur d'un bris d'accessoire de mauvais calibre ou de le maîtriser correctement.
- f) **Les raccords filetés d'accessoires doivent correspondre au filetage de la broche de la meuleuse. Pour les accessoires à installation par brides, l'alésage central de l'accessoire doit correspondre au diamètre de référence de la bride.** Les accessoires ne correspondant pas au dispositif d'installation de l'outil électrique ne tourneront pas correctement, vibreront de façon excessive et pourront causer la perte de contrôle de l'outil.
- g) **Ne jamais utiliser un accessoire endommagé. Avant toute utilisation, inspecter la meule abrasive à la recherche d'éclats et de fissures; le tampon pour tout signe de fissures, déchirures ou d'usure excessive; et la brosse métallique, pour déceler s'il y a des fils métalliques fissurés ou détachés. En cas de chute de l'outil ou de l'accessoire, les inspecter à la recherche de dommages ou insérer un accessoire non endommagé. Après l'inspection et l'insertion d'un accessoire, se positionner (l'utilisateur ou quiconque aux alentours) hors du plan de rotation de l'accessoire et faire tourner, pendant une minute, l'outil électrique à plein régime, à vide.** Normalement, tout accessoire endommagé se brisera au cours de cette période d'essai.
- h) **Porter un équipement de protection individuelle. Utiliser un masque facial, des lunettes de sécurité ou des lunettes protectrices en fonction de l'application. Au besoin, porter un masque antipoussières, des protecteurs auditifs, des gants et un tablier d'atelier capable d'arrêter de petits fragments d'abrasifs ou de pièces. La protection oculaire doit être en mesure d'arrêter tout débris produit par les diverses opérations et le masque antipoussières ou le respirateur, de filtrer les particules produites par l'opération en cours.** Une exposition prolongée à un bruit d'intensité élevée pourrait causer une perte auditive.
- i) **Éloigner tout observateur à une distance sécuritaire de la zone de travail. Toute personne**

- qui pénètre dans la zone de travail devra également porter un équipement de protection individuelle.** Il est possible qu'un fragment de pièce ou un accessoire brisé soit projeté et provoque des blessures au-delà de la zone immédiate de travail.
- j) **Tenir l'outil électrique par les surfaces isolées prévues à cet effet pendant toute utilisation où l'organe de coupe pourrait entrer en contact avec des fils électriques cachés ou son propre cordon.** Tout contact de l'organe de coupe avec un fil sous tension mettra les parties métalliques exposées de l'outil électrique sous tension et électrocutera l'utilisateur.
- k) **Positionner le cordon d'alimentation hors d'atteinte de l'accessoire en mouvement.** En cas de perte de maîtrise, il est possible de couper ou d'effiloche le cordon et la main ou le bras de l'utilisateur risqueraient d'être happés par l'accessoire en mouvement.
- l) **Ne jamais déposer l'outil électrique avant l'immobilisation complète de l'accessoire.** L'accessoire en mouvement risquerait de mordre dans la surface et de projeter l'outil électrique.
- m) **Mettre l'outil hors tension pour tout déplacement de celui-ci par l'utilisateur.** Un contact accidentel avec l'accessoire en mouvement pourrait happer les vêtements de l'opérateur et projeter l'accessoire contre son corps.
- n) **Nettoyer régulièrement les événements de l'outil électrique.** Le ventilateur du moteur aspirera la poussière à l'intérieur du boîtier. Une accumulation excessive de poudre métallique représente un danger d'origine électrique.
- o) **Ne pas faire fonctionner l'outil électrique à proximité de matières inflammables.** Les étincelles produites risquent de les enflammer.
- p) **Ne pas utiliser d'accessoires qui exigent l'utilisation d'un liquide de refroidissement.** L'utilisation d'eau ou de tout autre liquide de refroidissement pourrait se solder par une électrocution ou une secousse électrique.
- q) **Ne jamais utiliser de meules de type 11 (boisseau conique) sur cet outil.** L'utilisation d'accessoires inadéquats peut se solder par des blessures.
- r) **Toujours se servir de la poignée latérale. La fixer solidement.** La poignée latérale doit être utilisée pour maîtriser l'outil en tout temps.
- s) **Au démarrage de l'outil avec une meule ou une brosse métallique neuve, ou après l'avoir changée, maintenir l'outil dans un espace sécuritaire et le laisser tourner une minute. Si le disque était affecté d'une fêlure ou d'un défaut caché, il éclaterait en moins d'une minute. Si des fils de la brosse métallique étaient lâches, cela serait alors détecté.** Ne jamais démarrer l'outil lorsque quelqu'un se tient directement devant le disque, y compris l'utilisateur.
- t) **L'utilisation d'accessoires non spécifiés dans ce manuel n'est pas recommandée et peut être dangereuse.** L'utilisation de compresseurs pour faire fonctionner l'outil à une vitesse supérieure à sa vitesse nominale est prohibée.
- u) **Utiliser des serre-joints, ou tout autre moyen, pour fixer et soutenir le matériau sur une surface stable.** Tenir la pièce à la main ou contre son corps offre une stabilité insuffisante qui pourrait vous en faire perdre le contrôle.
- v) **Protéger le disque contre tout choc ou traitement brutal.** Si c'était le cas, arrêter l'outil et vérifier que la meule ne comporte ni fissures ni défauts.
- w) Manipuler et stocker les meules en prenant systématiquement des précautions.
- x) **Ne pas utiliser cet outil de façon prolongée. Les vibrations inhérentes à l'utilisation de cet outil posent des risques de dommages corporels permanents aux doigts, mains et bras.** Utiliser des gants pour en atténuer l'impact, faire des pauses fréquentes, et en limiter l'usage journalier.
- y) **Prendre des précautions à proximité des événements, car ils cachent des pièces mobiles.** Les vêtements amples, bijoux ou cheveux longs pourraient s'y faire prendre.

Avertissements de recul intempestif et autres dangers

L'effet de rebond est une réaction soudaine d'une meule, d'un tampon, d'une brosse ou d'un tout autre accessoire, en mouvement, qui est pincé ou qui s'accroche. Un pincement ou un accrochage provoque un arrêt rapide de l'accessoire en mouvement qui, à son tour, projette l'outil électrique, hors de maîtrise, dans la direction opposée à la rotation de l'outil au point de grippage.

Par exemple, si une meule abrasive se pince ou s'accroche dans la pièce, le bord de la meule introduite au point de pincement peut mordre dans la surface de la pièce et projeter la meule hors de la rainure. La meule peut être projetée vers l'opérateur ou dans la direction opposée selon le sens de rotation de la meule au point de pincement. Il est également possible que les meules abrasives se brisent dans ces conditions.

Un effet de rebond est le résultat d'une mauvaise utilisation de l'outil et/ou de procédures ou conditions de fonctionnement incorrectes. Il peut être évité en prenant les précautions nécessaires telles que décrites ci-dessous :

- a) **Saisir fermement l'outil électrique et positionner le corps et les bras de sorte à résister à la force de l'effet de rebond. Utiliser toujours la poignée auxiliaire, s'il y en a une, pour contrôler au maximum l'effet de rebond ou le couple de réaction au démarrage.** Avec de bonnes précautions, l'opérateur est en mesure de contrôler le couple de réaction ou l'effet de rebond.
- b) **Ne jamais placer les mains près de l'accessoire en mouvement.** Il pourrait en effet être projeté sur celles-ci en cas de rebond.

- c) **Ne pas positionner le corps dans la trajectoire probable de l'outil électrique, en cas de rebond.** Au moment du grippage, l'outil sera projeté dans la direction opposée au déplacement de la meule.
- d) **Être particulièrement attentif lors de travaux dans un coin, sur des bords tranchants, etc. Éviter de faire rebondir l'accessoire. Éviter tout type de grippage de l'accessoire.** Un travail dans un coin ou sur des bords tranchants ou un travail en faisant rebondir l'accessoire provoquent souvent un grippage et une perte de maîtrise de l'outil ou un effet de rebond.
- e) **Ne pas fixer de lame de tronçonneuse pour sculpter le bois ou de lame de scie dentée.** Ces types de lames provoquent des effets de rebond et des pertes de maîtrise fréquents.

Avertissements de sécurité spécifiques aux opérations de meulage et de coupe par abrasion

- a) **Utiliser uniquement les types de meules recommandés pour l'outil électrique ainsi que le capot protecteur particulier conçu pour la meule sélectionnée.** Il est impossible de bien protéger l'opérateur lors de l'utilisation de meules non conçues pour l'outil. En effet, le capot protecteur sera alors inadéquat et l'utilisation de la meule, dangereuse.
- b) **La surface de meulage des meules à moyeu déporté doit être posée sous la contre plaque de la lèvre du carter.** Le carter aide à protéger l'utilisateur contre toute projection de fragments et contre tout contact accidentel avec la meule ainsi qu'à protéger les vêtements des étincelles qui pourraient les enflammer.
- c) **Il faut fixer solidement le capot protecteur à l'outil électrique et le positionner pour maximiser la sécurité de l'opérateur, soit en minimisant la surface exposée de la meule en direction de l'opérateur.** En effet, le capot protecteur sert à protéger l'opérateur contre la projection de fragments de meule brisée et de contact accidentel avec celle-ci.
- d) **Utiliser uniquement les meules pour les applications prévues pour chacune d'entre elles. Par exemple : ne pas meuler avec le bord d'une meule tronçonneuse. Les meules tronçonneuses par abrasion sont conçues pour travailler en périphérie.** L'application de forces latérales sur ces meules risquerait de les faire éclater.
- e) **Toujours utiliser des brides de meule intactes, de la bonne dimension et de la forme appropriée pour la meule sélectionnée. Les brides de meule appropriées supportent bien la meule et réduisent ainsi la possibilité d'un bris de meule.** Les brides conçues pour les meules tronçonneuses pourraient différer des brides pour meules à ponçage.
- f) **Ne pas utiliser de meule usée en provenance d'outil de dimension plus importante.** Ces meules,

prévues pour un outil électrique plus grand, ne conviennent pas au régime plus élevé d'un outil de plus petite dimension et pourraient éclater.

Avertissements de sécurité supplémentaires spécifiques aux opérations de coupe par abrasion

- a) **Ne pas « coincer » la meule tronçonneuse ou ne pas appliquer une pression excessive. Ne pas essayer de couper à une profondeur trop importante.** Une contrainte excessive sur la meule accroîtra la charge et la possibilité de tordre ou de gripper la meule dans le trait de coupe et ainsi provoquer un effet de rebond ou un bris de la meule.
- b) **Ne pas positionner le corps sur la trajectoire de la meule en mouvement ni derrière celle-ci.** Lorsque la meule, au point de contact avec la pièce, s'éloigne du corps de l'opérateur, un effet de rebond potentiel risque de projeter la meule en rotation, ainsi que l'outil, en direction de l'utilisateur.
- c) **Lorsque la meule se grippe ou lors de l'arrêt d'une coupe pour une raison quelconque, mettre l'outil hors tension et maintenir l'outil immobile jusqu'à l'arrêt complet de la meule. Ne jamais essayer de retirer la meule tronçonneuse du trait de coupe alors que celle-ci est encore en mouvement. Une telle pratique risquerait de provoquer un effet de rebond.** Rechercher et prendre l'action corrective nécessaire pour éliminer les causes du grippage de la meule.
- d) **Ne pas reprendre la coupe avec la meule dans le trait de coupe de la pièce. Attendre que la meule soit à plein régime puis la réinsérer soigneusement dans le trait de coupe.** Si l'outil électrique redémarrait avec la meule appuyée sur la pièce, celle-ci risquerait de gripper, de se déplacer ou de reculer.
- e) **Pour réduire le risque de pincement ou de recul de la meule, soutenir les panneaux ou toute autre pièce surdimensionnée. Les grandes pièces tendent à s'affaisser sous leur propre poids.** Disposer des appuis sous la pièce, le long de la ligne de coupe et près du bord de la pièce, des deux côtés de la meule.
- f) **Faire particulièrement attention lors de la réalisation de « découpe en poche » dans des murs existants ou d'autres zones sans visibilité.** La portion de la meule faisant saillie risque de couper un tuyau d'alimentation en eau ou en gaz, des fils électriques ou des objets pouvant provoquer un effet de rebond.

Avertissements de sécurité spécifiques aux opérations de ponçage

- a) **Ne pas utiliser un papier pour disque abrasif excessivement surdimensionné. Respecter les recommandations des fabricants lors de la**

sélection du papier abrasif. Un papier abrasif plus grand que le plateau de ponçage représente un risque de lacération. Le papier risque également de s'accrocher, de se déchirer ou de provoquer un effet de rebond.

Avertissements de sécurité spécifiques aux opérations utilisant une brosse métallique

- a) **Être attentif, car la brosse peut projeter des soies métalliques même lors de travaux normaux. Ne pas surcharger la brosse en appliquant une force excessive sur celle-ci.** Les soies métalliques pénètrent facilement les vêtements légers ou la peau.
- b) **Si l'utilisation d'un capot protecteur est recommandée avec la brosse métallique, s'assurer qu'il n'interfère pas avec la rotation de la brosse métallique à touret ou de la brosse métallique.** En cours de travail et sous la force centrifuge, le diamètre de la brosse métallique à touret ou de la brosse métallique s'accroît.
- c) **Des lunettes de protection ou une protection oculaire avec écrans latéraux et écran frontal total conforme à la norme ANSI Z87.1, doivent être portées par l'utilisateur ou tout autre individu dans un rayon de 15,2 m (50 pieds) de l'utilisation de ce produit.**

Consigne de sécurité supplémentaire



AVERTISSEMENT : porter **SYSTEMATIQUEMENT** des lunettes de protection. Les lunettes courantes NE sont PAS des lunettes de protection. Utiliser aussi un masque antipoussières si la découpe doit en produire beaucoup. **PORTER SYSTEMATIQUEMENT UN EQUIPEMENT DE SÉCURITÉ HOMOLOGUÉ :**

- Protection oculaire ANSI Z87.1 (CAN/CSA Z94.3) ;
- Protection auditive ANSI S12.6 (S3.19) ;
- Protection des voies respiratoires NIOSH/OSHA/MSHA.



AVERTISSEMENT : les scies, meules, ponceuses, perceuses ou autres outils de construction peuvent produire des poussières contenant des produits chimiques reconnus par l'État californien pour causer cancers, malformations congénitales ou être nocifs au système reproducteur. Parmi ces produits chimiques, on retrouve :

- Le plomb dans les peintures à base de plomb ;
- La silice cristallisée dans les briques et le ciment, ou autres produits de maçonnerie ; et
- L'arsenic et le chrome dans le bois ayant subi un traitement chimique.

Le risque associé à de telles expositions varie selon la fréquence à laquelle on effectue ces travaux. Pour réduire toute exposition à ces produits : travailler dans un endroit bien aéré, en utilisant du matériel de sécurité homologué, tel un masque antipoussières spécialement conçu pour filtrer les particules microscopiques.

- **Limiter toute exposition prolongée avec les poussières provenant du ponçage, sciage, meulage, perçage ou toute autre activité de construction. Porter des vêtements de protection et nettoyer à l'eau savonneuse les parties du corps exposées.** Le fait de laisser la poussière pénétrer dans la bouche, les yeux ou la peau peut favoriser l'absorption de produits chimiques dangereux.



AVERTISSEMENT : cet outil peut produire et/ou répandre de la poussière susceptible de causer des dommages sérieux et permanents au système respiratoire. Utiliser systématiquement un appareil de protection des voies respiratoires homologué par le NIOSH ou l'OSHA. Diriger les particules dans le sens opposé au visage et au corps.



AVERTISSEMENT : pendant l'utilisation, porter systématiquement une protection auditive individuelle adéquate homologuée ANSI S12.6 (S3.19). Sous certaines conditions et suivant la durée d'utilisation, le bruit émanant de ce produit pourrait contribuer à une perte de l'acuité auditive.

- **Pour la sécurité de l'utilisateur, utiliser une rallonge de calibre adéquat (AWG, American Wire Gauge [calibrage américain normalisé des fils électriques]).** Plus le calibre est petit, et plus sa capacité est grande. Un calibre 16, par exemple, a une capacité supérieure à un calibre 18. L'usage d'une rallonge de calibre insuffisant causera une chute de tension qui entraînera perte de puissance et surchauffe. Si plus d'une rallonge est utilisée pour obtenir une certaine longueur, s'assurer que chaque rallonge présente au moins le calibre de fil minimum. Le tableau ci-dessous illustre les calibres à utiliser selon la longueur de rallonge et l'intensité nominale indiquée sur la plaque signalétique. En cas de doute, utiliser le calibre suivant. Plus le calibre est petit, plus la rallonge peut supporter de courant.

Calibre minimum pour les cordons d'alimentation

Volts	Longueur totale du cordon d'alimentation en mètre (pieds)					
	7,6 (25)	15,2 (50)	30,5 (100)	45,7 (150)	61,0 (200)	91,4 (300)
120 V	15,2 (50)	30,5 (100)	61,0 (200)	91,4 (300)		
240 V						
Ampères		AWG				
Plus que	Pas plus que					
0	6	18	16	16	14	
6	10	18	16	14	12	
10	12	16	16	14	12	
12	16	14	12	Non recommandé		

L'étiquette apposée sur votre outil peut inclure les symboles suivants. Les symboles et leur définition sont indiqués ci-après :

V	volts	BPM	battements par
Hz	hertz		minute
min	minutes	IPM	impacts par minute
— or DC	courant continu	RPM	revolutions per
Ⓢ	fabrication classe I (mis à la terre)		minute
... /min	par minute	sfpm	pieds linéaires par minute (plpm)
		SPM (FPM)	fréquence par minute

A.....ampères	⚠.....symbole d'avertissement
W.....watts	☀.....radiation visible
~ or AC.....courant alternatif	☹.....protection respiratoire
~ or AC/DC.....courant alternatif ou continu	👁.....protection oculaire
□.....fabrication classe II (double isolation)	👂.....protection auditive
n ₀vitesse à vide	📖.....lire toute la documentation
n.....vitesse nominale	
⊕.....borne de terre	

Dispositif de connexion du cordage d'amarrage (Fig. B)

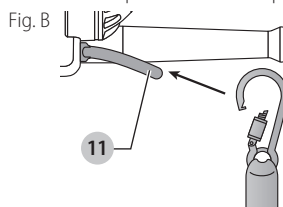
Consignes de sécurité spécifiques au travail en hauteur

⚠ AVERTISSEMENT : en cas de chute au sol de l'outil, le point d'attache de la longe devra être inspecté et adéquatement entretenu ou réparé avant d'être réutilisé. Le connecteur de la longe est muni d'un amortisseur de choc et se déforme pour absorber l'impact de la chute. Toute déformation permanente exposant les ressorts intérieurs rouges indique un endommagement irréversible et que le point d'attache doit être remplacé avant réutilisation.

- Garder systématiquement l'outil et ses accessoires arrimés lors du travail en hauteur. [Longueur maximum de corde d'amarrage : 2 m (6 pi)]
- Utiliser exclusivement avec des cordes d'amarrage appropriées à ce type d'outil et capables de supporter des poids de 6,8 kg (15 lb).
- **Risques d'écrasement, de coupures ou d'accrochage.** Ne pas utiliser à proximité de pièces ou mécanismes en mouvement ou de machines en fonctionnement.
- Ne pas ancrer le cordage d'amarrage de l'outil à aucun élément sur le corps. L'ancrer à une structure rigide pouvant supporter les forces engendrées par la chute d'un outil.
- S'assurer que le cordage d'amarrage est correctement amarré à chaque extrémité avant chaque utilisation.
- Vérifier le bon état et fonctionnement de l'outil et du cordage d'amarrage avant chaque utilisation (y compris tout tissu et point de suture) Ne pas utiliser en cas de dommages ou de dysfonctionnement.
- Ne pas altérer le dispositif de connexion du cordage d'amarrage ou l'utiliser autrement que comme indiqué dans ce guide d'utilisation.
- N'attacher cet outil qu'à un cordage d'amarrage muni d'un mousqueton à vis. Ne pas attacher le cordage d'amarrage au travers de boucles ou de nœuds. Ne pas utiliser de cordes ou cordons traditionnels.
- Risques de chocs électriques. S'assurer que l'alimentation est coupée dans les endroits comportant des lignes de haute tension. Certains cordages d'amarrage sont conducteurs.
- Après une chute, l'outil se balancera à l'extrémité du cordage d'amarrage, ce qui posera des risques de dommages corporels ou de perte d'équilibre.
- Ne pas transporter l'outil par le dispositif de fixation ou par le cordage d'amarrage.

- Ne pas attacher plus d'un outil à la fois au cordage d'amarrage.
- N'utiliser que des marques de points de fixation homologués par DeWALT. NE JAMAIS modifier l'outil pour créer des points de fixation.
- Ne transférer l'outil dans d'autres mains que dans une position stable et équilibrée.
- Ne pas rattacher le cordage d'amarrage à l'outil s'il doit empêcher les carters, interrupteurs ou verrouillages de fonctionner correctement.
- Attention à ne pas s'emmêler les mains dans le cordage d'amarrage.
- Protéger le cordage d'amarrage des zones de coupe de l'outil.
- Ne pas utiliser le cordage d'amarrage ou les dispositifs de fixation pour donner à l'outil une force de levier supplémentaire.
- Ne pas l'utiliser pour se protéger personnellement des chutes.
- **Danger de chute d'objet !** Ne pas changer accessoires ou pièces sur des lieux où des chutes d'objets pourraient poser des risques. Consulter les autorités compétentes ou le superviseur du lieu de travail pour connaître les procédures de travail en hauteur.
- Utiliser des types de mousquetons de sécurité (multi-action) ou à vis. Ne pas utiliser de mousquetons à ressort à action unique.

Le cordage d'amarrage **11** a été conçu pour être utilisé par du personnel compétent, assez expérimenté et qualifié pour travailler avec des outils et des machines en hauteur. Un dispositif de connexion du cordage d'amarrage pourra être ajouté à certains modèles par un centre de réparation agréé.



CONSERVER CES CONSIGNES POUR UTILISATION ULTÉRIEURE

Moteur

S'assurer que le bloc d'alimentation est compatible avec l'inscription de la plaque signalétique. Une diminution de tension de plus de 10 % provoquera une perte de puissance et une surchauffe. Les outils DeWALT sont testés en usine ; si cet outil ne fonctionne pas, vérifier l'alimentation électrique.

DESCRIPTION (FIG. A)

⚠ AVERTISSEMENT : ne jamais modifier l'outil électrique ni aucun de ses composants, car il y a risques de dommages corporels ou matériels.

Reportez-vous en Figure A au début de ce manuel pour obtenir la liste complète des composants.

FRANÇAIS

Usage prévu

votre petite meuleuse angulaire industrielle a été conçue pour le meulage, le ponçage, le brossage métallique et le tronçonnage professionnels sur divers chantiers de travail (ex. chantiers de construction).

NE PAS les utiliser en milieu ambiant humide ou en présence de liquides ou de gaz inflammables.

Votre petite meuleuse angulaire industrielle est un outil électrique de professionnels. **NE PAS** le laisser à la portée des enfants. Une supervision est nécessaire auprès de tout utilisateur non expérimenté.

Caractéristiques

E-Switch Protection^{MC}

Le commutateur MARCHÉ/ARRÊT a une fonction de déclenchement en situation de manque de tension. En cas de panne de courant ou autre déconnexion imprévue, une séquence arrêt et marche du commutateur devra être effectuée pour redémarrer l'outil.

E-Clutch^{MC}

Cet appareil est muni d'un embrayage électronique E-Clutch[™] qui en cas d'immobilisation ou de pincement de la meule, coupera l'alimentation afin de prévenir le couple de contre-réaction sur l'utilisateur. Pour redémarrer l'outil, une séquence arrêt/marche devra être effectuée sur le commutateur.

Frein

Le freinage électronique s'applique sur le champ lors du relâchement de la gâchette d'alimentation et ralentit rapidement la rotation de l'outil.

Kickback Brake^{MC}

Lorsqu'un pincement, une immobilisation ou un blocage sévère est détecté, le frein électronique exerce une force maximum pour arrêter rapidement la meule, réduire la contre-réaction de l'outil et coupera l'alimentation de l'outil. Pour redémarrer l'outil, actionner le commutateur à palette.

Constant Clutch^{MC}

Lorsque le moteur est surchargé ou immobilisé, son couple sera réduit. Lors de la réduction de la charge, le couple et la vitesse de l'outil augmentera. Si l'outil est immobilisé, durant une période prolongée, le circuit coupera l'alimentation et une séquence arrêt/marche de la gâchette devra être effectuée pour le redémarrer.

Témoin DEL (Fig. A)

Durant les activités de fonctionnement régulières, le témoin DEL **10** demeurera allumé en vert pour indiquer un fonctionnement normal ou clignotera en rouge pour informer qu'une protection de l'outil a été activée. Pour la définition des types de clignotement, se reporter au **Guide DEL** sur la couverture arrière du présent manuel.

ASSEMBLAGE ET AJUSTEMENTS



AVERTISSEMENT : pour réduire le risque de blessures graves, éteindre l'outil et retirer le débrancher avant d'effectuer tout réglage et d'enlever ou d'installer tout accessoire. Un démarrage accidentel peut provoquer des blessures.

Accessoires

Le modèle DWE43265N peut recevoir des meules de 150 mm (6 po) de diamètre et 6,35 mm (1/4 po) d'épaisseur.

Il est important de choisir les écrans protecteurs, plateaux porte-disque et brides qui conviennent aux accessoires de meulage. Voir le page 29 pour obtenir plus de renseignements quant aux accessoires appropriés.



AVERTISSEMENT : manier et entreposer les meules abrasives soigneusement pour prévenir tout dommage résultant de chocs thermiques, de la chaleur, de dommages mécaniques, etc. Entreposer dans un endroit sec, à l'abri de toute humidité excessive, du gel ou de changements extrêmes de température.

Installation de la poignée latérale (Fig. A)



AVERTISSEMENT : avant chaque utilisation de l'outil, vérifier que la poignée latérale est soigneusement arrimée.

Vissez fermement la poignée latérale **5** dans l'un des trous de chaque côté du carter d'engrenage. La poignée latérale doit être systématiquement utilisée pour maîtriser l'outil en permanence.

Carters de protection



ATTENTION : utiliser systématiquement un dispositif de protection avec toutes les meules, meules à tronçonner, disques à lamelles à poncer, brosses métalliques et circulaires. L'outil peut être utilisé sans carter seulement lors du ponçage avec des disques abrasifs conventionnels. Reportez-vous à la Figure A pour observer les carters fournis avec l'outil. Certaines applications pourront nécessiter l'achat d'un carter adapté auprès de votre distributeur ou centre de réparation agréé local.

REMARQUE : le meulage angulaire et la découpe peuvent être exécutés avec des meules de type 27 spécifiant qu'elles ont été spécialement conçues à cet effet. Les meules d'une épaisseur de 6,35 mm (1/4 po.) ont été conçues pour le meulage de finition, alors qu'il est nécessaire de vérifier sur les étiquettes du fabricant des meules de type 27, plus fines, si elles peuvent bien être utilisées pour le meulage de finition, ou seulement pour le meulage angulaire/ la découpe. Un carter de protection de type 1 doit être utilisé avec toutes les meules interdites pour le meulage de finition. Il est également possible de découper avec des meules de type 41 et un carter de type 1.

REMARQUE : se reporter au **Tableau des accessoires** pour sélectionner la bonne combinaison de carter de protection/ accessoire.

Installation et réglage du carter (Fig. C, D)



ATTENTION : arrêter et débrancher l'outil avant tout réglage ou avant de retirer ou installer toute pièce ou tout accessoire.



ATTENTION : AVANT d'utiliser cet outil, s'assurer d'identifier les options de réglage sur votre outil.

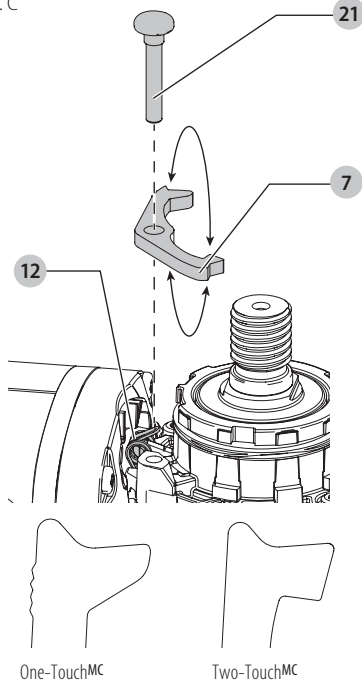
Options de réglage

Pour le réglage du carter, le levier de déverrouillage du carter **7** s'encastre dans l'un des orifices d'alignement **13**

sur le collier de serrage du carter grâce au mécanisme à cliquet. Votre meuleuse offre deux options de réglage.

- **One-touch^{MC}**: sur cette position, la face d'accouplement est oblique et avancera jusqu'à l'orifice d'alignement suivant lorsque le carter sera tourné vers la droite (broche face à l'utilisateur) mais se verrouillera automatiquement si tourné vers la gauche.
- **Two-touch^{MC}**: dans cette position la face d'accouplement est droite et d'équerre. Elle n'avancera PAS sur le prochain orifice d'alignement à moins que l'on maintienne appuyé le levier de déverrouillage du carter tout en tournant simultanément le carter vers la droite ou vers la gauche (broche face à l'utilisateur).

Fig. C



Paramétrage des options de réglage du carter

Pour ajuster le levier de déverrouillage du carter 7 sur l'option désirée :

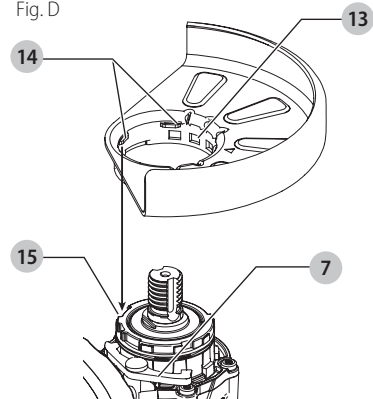
1. Retirez la vis 21 à l'aide d'un embout T20.
2. Retirez le levier de déverrouillage du carter en prenant note de la position du ressort. Choisissez l'extrémité du levier correspondant à l'option de réglage désirée. Le mode One-touch utilise l'extrémité oblique du levier 7 pour s'encastrer dans les orifices d'alignement 13 du collier de serrage du carter. Le mode Two-touch utilisera l'extrémité droite pour s'encastrer dans les orifices d'alignement 13 sur le collier de serrage du carter.
3. Réinsérez le levier en positionnant l'extrémité choisie sous le ressort 12. Assurez-vous que le levier est bien en contact avec le ressort.
4. Réinsérez la vis et vissez-la à un couple de 2-3 0N-m. Vérifiez l'installation en contrôlant que le ressort fonctionne correctement lorsque vous appuyez sur le levier de déverrouillage du carter 7.

Installation du carter (Fig. D)

ATTENTION : avant d'installer le carter, vérifiez que la vis, le levier et le ressort sont installés correctement.

1. Avec la broche face à l'utilisateur, maintenez appuyé le levier de déverrouillage du carter 7.
2. Alignez les pattes 14 du carter sur les encoches 15 du capot du carter d'engrenage.
3. Enfoncez le carter jusqu'à enclencher ses pattes et faites-les pivoter dans la rainure du capot du carter d'engrenage. Relâchez le levier de déverrouillage du carter.
4. Pour positionner le carter :
One-touch^{MC}: faites pivoter le carter vers la droite sur la position de travail désirée. Maintenez appuyé le levier de déverrouillage du carter 7 pour faire tourner le carter vers la gauche.
Two-touch^{MC}: maintenez appuyé le levier de déverrouillage du carter 7. Faites pivoter le carter vers la droite ou la gauche sur la position de travail désirée.
REMARQUE : le corps du carter devrait se trouver entre la broche et l'utilisateur pour offrir une protection maximale à ce dernier.
 Le levier de déverrouillage du carter devrait s'enclencher sur l'un des orifices d'alignement 13 du collier de serrage du carter. Cela garantira que le carter est arimé de façon sécuritaire.
5. Pour retirer le carter, suivez les étapes 1 à 3 en sens inverse.

Fig. D



Brides et meules

ATTENTION : arrêter et débrancher l'outil avant tout réglage ou avant de retirer ou installer toute pièce ou tout accessoire.

Montage de roues sans moyeu (Fig. E)

AVERTISSEMENT : tout manquement de bien asseoir la bride ou le disque pourrait endommager l'outil ou la meule, ou conduire à des blessures graves.

ATTENTION : les brides comprises doivent être utilisées avec les meules à dépression centrale de type 27/42 ainsi qu'avec les disques de découpage de type 1/41. Pour de plus amples renseignements, voir le Tableau des accessoires.

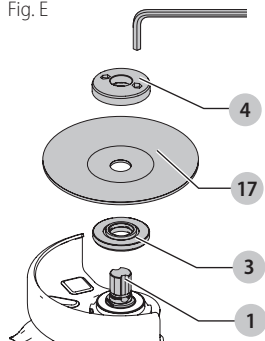
FRANÇAIS

AVERTISSEMENT : lors d'utilisation d'une roue de découpe à abrasif ou diamantée, une garde-protectrice est requise des deux côtés de la roue.

AVERTISSEMENT : tout manquement d'utiliser une bride et garde appropriée ou l'utilisation de garde ou bride endommagée peut conduire à des blessures causées par la projection de parties de la meule ou de son contact si non adéquatement protégée. Pour de plus amples renseignements, voir le **Tableau des accessoires**.

1. Placer l'outil sur une table, le protecteur élevé.
2. Poser la bride non taraudée **3** sur le fuseau **1** en plaçant sa face avec anneau de centrage en saillie vers le disque.
3. Placer la meule **17** contre la bride d'épaulement **3** en la centrant sur l'anneau de centrage en saillie.
4. Tout en appuyant sur le bouton de blocage du fuseau, visser la bride de serrage (taraudée) **4** sur le fuseau, en plaçant l'encastrement hexagonal vers l'extérieur, jusqu'à ce que les pattes entrent dans les deux fentes du fuseau.
5. Serrer ensuite la bride taraudée **4** à l'aide de la clé Allen fournie (tout en maintenant le fuseau immobile par son bouton de blocage).
6. Pour déposer la meule, appuyer sur le bouton de blocage du fuseau et dévisser la bride taraudée.

Fig. E



Installation de tampons de soutien de ponçage (Fig. A, F)

REMARQUE : l'utilisation d'un carter avec des meules abrasives utilisant des tampons de soutien, souvent appelés disques en fibre de résine, n'est pas requise. Comme l'utilisation d'un carter n'est pas requise avec ces accessoires, le carter n'a pas à cadrer parfaitement en cas d'utilisation.

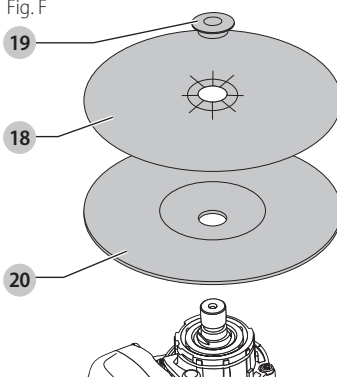
AVERTISSEMENT : toute installation incorrecte d'écrou de blocage et/ou de tampon pose des risques de dommages corporels et matériels graves (outil ou meule).

AVERTISSEMENT : un carter adéquat doit être réinstallé pour le meulage, le tronçonnage, le ponçage à lamelles, le brossage métallique ou le brossage métallique à touret une fois le ponçage terminé.

1. Placez ou vissez correctement le tampon de soutien **20** sur la broche.
2. Placez la meule abrasive **18** sur le tampon de soutien **20**.

3. Tout en appuyant sur le bouton de verrouillage de broche **2**, vissez l'écrou de blocage de meule **19** sur la broche, en guidant le moyeu bombé sur l'écrou de blocage dans le centre de la meule abrasive et du tampon de soutien.
4. Resserrez l'écrou de blocage à la main. Puis appuyez sur le bouton de verrouillage de la broche tout en tournant la meule abrasive jusqu'à ce que la meule abrasive et l'écrou de blocage soient bien resserrés.
5. Pour retirer la meule, attrapez et tournez le tampon de soutien et le tampon ponçeur tout en poussant sur le bouton de verrouillage de la broche.

Fig. F



Installation et retrait des meules à moyeu (Fig. A)

Les meules à moyeu s'installent directement sur la broche. Le filetage des accessoires doit correspondre à celui de la broche.

1. Retirez la bride de soutien en la tirant hors de l'outil.
2. Vissez la meule sur la broche **1** manuellement.
3. Appuyez sur le bouton de verrouillage de la broche **2** et resserrez à l'aide d'une clé le moyeu de la meule.
4. Inversez la procédure ci-dessus pour retirer la meule.

AVIS : le fait de ne pas installer correctement la meule avant le démarrage de l'outil pose des risques d'endommager l'outil ou la meule.

Installation de brosses coupelle et brosses métalliques (Fig. A)

AVERTISSEMENT : toute installation incorrecte de brosse/meule pose des risques de dommages corporels et matériels graves (outil ou meule).

ATTENTION : pour réduire tout risque de dommages corporels, porter des gants de travail pour manipuler les brosses métalliques et meules. Elles pourraient être acérées.

ATTENTION : pour réduire tout risque d'endommager l'outil, les meules ou brosses ne doivent pas toucher le carter lors de leur installation ou utilisation. Des dommages indétectables peuvent affecter l'accessoire et faire que les fils métalliques se détachent de la meule ou du boisseau.

Les brosses coupelle et métalliques s'installent directement sur la broche taraudée de la meuleuse sans l'aide de brides. Utilisez uniquement les brosses métalliques ou les meules

fournies avec un moyeu taraudé. Ces pièces sont vendues séparément chez votre distributeur local ou dans les centres de réparation agréés.

1. Disposez l'outil sur une table, avec le carter sur le dessus.
2. Vissez la meule sur la broche manuellement.
3. Appuyez sur le bouton de verrouillage de la broche **2** et resserrez à l'aide d'une clé le moyeu de la meule ou la brosse métallique.
4. Pour retirer la meule, inversez la procédure ci-dessus.

AVIS : pour réduire tout risque d'endommager l'outil, installer soigneusement le moyeu de la meule avant de mettre l'outil en marche.

Avant toute utilisation

- Installez le carter et le disque ou la meule appropriés. N'utilisez pas de disques ou meules excessivement émoussés.
- Assurez-vous que la bride de soutien et la bride de verrouillage taraudée sont correctement installées. Suivez les instructions de la section **Tableau des accessoires**. Assurez-vous que le disque ou la meule tourne dans le sens des flèches sur l'accessoire et l'outil.
- N'utilisez pas d'accessoire endommagé. Avant toute utilisation, vérifiez que les accessoires, comme les meules abrasives, tampons de soutien, ne comportent aucune fissure ou cassure, ou ne sont affectés d'aucune usure excessive, et que les fils des brosses métalliques ne sont ni lâches ni endommagés. En cas de chute, vérifiez que l'outil électrique ou l'accessoire n'a pas été endommagé, et remplacez toute pièce abîmée. Après avoir inspecté et installé un accessoire, positionnez-vous, ainsi que tout individu présent, hors du plan de rotation de l'accessoire et laissez tourner l'outil une minute à sa vitesse à vide maximale. En général, les accessoires endommagés se brisent pendant le temps d'essai.

UTILISATION

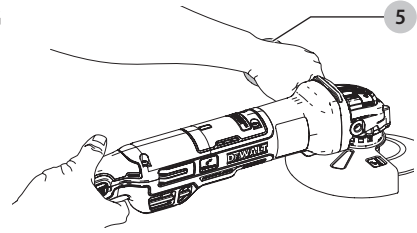
- ⚠ **AVERTISSEMENT :** pour réduire le risque de blessures graves, éteindre l'outil et retirer le débrancher avant d'effectuer tout réglage et d'enlever ou d'installer tout accessoire. Un démarrage accidentel peut provoquer des blessures.

Position correcte des mains (Fig. G)

- ⚠ **AVERTISSEMENT :** pour réduire tout risque de dommages corporels graves, adopter **SYSTÉMATIQUEMENT** la position des mains illustrée.
- ⚠ **AVERTISSEMENT :** pour réduire tout risque de dommages corporels graves, maintenir **SYSTÉMATIQUEMENT** l'outil fermement pour anticiper toute réaction soudaine.

La position correcte des mains requiert une main sur la poignée latérale **5**, et l'autre sur le corps de l'outil, comme illustré en Fig. G.

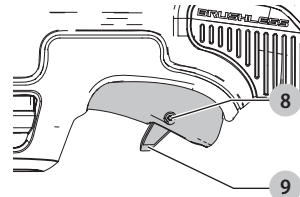
Fig. G



Gâchette et levier de verrouillage (Fig. H)

- ⚠ **AVERTISSEMENT :** avant chaque utilisation de l'outil, vérifier que la poignée latérale est soigneusement arrimée.
 - ⚠ **ATTENTION :** maintenir fermement la poignée latérale et le boîtier de l'outil pour en garder le contrôle au démarrage et pendant son utilisation, et ce, jusqu'à arrêt complet de la meule ou de tout autre accessoire. Avant de poser l'outil, s'assurer que la meule s'est arrêtée complètement de tourner.
1. Pour mettre l'outil en marche, poussez le levier de verrouillage **9** vers l'arrière de l'outil, puis appuyez sur la gâchette **8**. L'outil fonctionnera tant que l'interrupteur restera appuyé.
 2. Pour arrêter l'outil, relâchez la gâchette.
- ⚠ **AVERTISSEMENT :** laissez l'outil tourner à plein régime avant de le mettre en contact avec la surface à travailler. Retirer l'outil de la pièce à travailler avant de l'arrêter.

Fig. H



Verrouillage de la broche (Fig. A)

Le bouton de verrouillage de la broche **2** est destiné à empêcher la broche de tourner lors de l'installation ou du retrait des meules. N'activez le verrouillage de la broche que lorsque l'outil est à l'arrêt, débranché du secteur, et après arrêt complet du moteur.

AVIS : pour réduire tout risque d'endommager l'outil, ne pas activer le bouton de verrouillage de la broche alors que l'outil est en marche. L'outil pourrait être endommagé, et ses accessoires être projetés, posant ainsi des risques de dommages corporels.

Pour actionner le verrouillage, appuyez sur le bouton de verrouillage de la broche puis faites tourner la broche jusqu'à arrêt complet.

Meulage de finition, ponçage et brossage métallique (Fig. I)

- ⚠ **ATTENTION :** utiliser systématiquement un carter adéquat conformément aux instructions de ce guide d'utilisation.
- ⚠ **AVERTISSEMENT :** accumulation de poussières métalliques. L'utilisation intensive de disques à

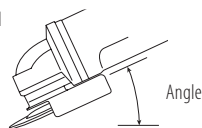
FRANÇAIS

lamelles sur des applications métalliques pourra augmenter les risques de chocs électriques. Pour réduire ces risques, insérer un DCR avant chaque utilisation et nettoyer les fentes d'aération quotidiennement en pulsant de l'air comprimé dans les fentes conformément aux instructions d'entretien ci-après.

Pour travailler la surface d'une pièce :

1. Laissez l'outil tourner à plein régime avant de le mettre en contact avec la surface à travailler.
2. Appliquez un minimum de pression sur la surface à travailler, pour permettre à l'outil de fonctionner à sa vitesse maximum. Le rythme du retrait du matériau est supérieur lorsque l'outil fonctionne à grande vitesse.

Fig. I



3. Maintenez l'angle approprié entre l'outil et la surface de travail. Reportez-vous à la partie du tableau correspondant à la fonction particulière.

Fonction	Angle
Meulage	20° -30°
Ponçage avec disques à lamelles	5° -10°
Ponçage avec tampon de soutien	5° -15°
Brossage métallique	5° -10°

4. Maintenez le contact entre le bord de la meule et la surface de travail.
 - Lors du meulage ou du ponçage avec des disques à lamelles ou des brosses métalliques, déplacez continuellement l'outil par va-et-vient pour éviter de creuser la surface.
 - Lors du ponçage avec un tampon de soutien, déplacez l'outil continuellement en ligne droite pour éviter de brûler ou rayer la surface de travail.

REMARQUE : le fait d'immobiliser l'outil sur la surface endommagera la pièce à travailler.

5. Retirez l'outil de la pièce à travailler avant de l'arrêter. Laissez l'outil s'arrêter complètement de tourner avant de le poser.



ATTENTION : prendre des précautions supplémentaires lors du travail de bordure, car la meuleuse pourrait faire un mouvement brutal soudain.

Précautions à prendre lors du travail sur une surface peinte

1. Le ponçage à la ponceuse ou la brosse métallique des peintures à base de plomb N'EST PAS RECOMMANDÉ, car il est difficile de se protéger contre les poussières contaminées. L'empoisonnement au plomb présente le plus grand danger pour les enfants et les femmes enceintes.
2. Comme il est difficile d'identifier si la peinture contient ou non du plomb sans effectuer une analyse chimique, nous vous recommandons de prendre les précautions suivantes lors du ponçage de toutes les peintures.

Protection de l'individu

1. Aucun enfant ou femme enceinte ne devrait pénétrer sur les lieux de travail lors du ponçage ou brossage métallique et tant que ces lieux n'auront pas été nettoyés complètement.
2. Toute personne entrant dans la zone de travail devrait porter un masque anti-poussières ou un appareil respiratoire. Le filtre doit en être remplacé quotidiennement ou chaque fois que l'utilisateur commence à avoir des difficultés à respirer.
REMARQUE : utiliser exclusivement une protection des voies respiratoires adéquate pour le travail sur les peintures au plomb produisant poussières ou émanations. Les masques ordinaires n'offrent pas ce niveau de protection. Se renseigner auprès de son quincailleur local pour obtenir la liste des masques anti-poussières approuvés par le NIOSH.
3. NE PAS MANGER, BOIRE OU FUMER sur les lieux de travail pour prévenir l'ingestion de particules de peinture contaminées. Il est recommandé aux ouvriers de se laver et changer AVANT de manger, boire ou fumer. Ne pas laisser sur les lieux de travail, là où la poussière pourrait s'y déposer, nourriture, boisson, cigarette ou autre produit de consommation.

Protection de l'environnement

1. La peinture devrait être retirée de façon à minimiser la quantité de poussières générées.
2. Les lieux où la peinture est retirée devraient être isolés avec des panneaux de plastique de 4 mils d'épaisseur.
3. Le ponçage devrait être effectué de manière à réduire toute propagation des poussières de peinture hors des lieux de travail.

Nettoyage et élimination

1. Passez quotidiennement l'aspirateur sur les lieux de travail et nettoyez-les soigneusement pendant toute la durée du projet de ponçage. Changez fréquemment les filtres d'aspirateur.
2. Recueillez toute toile de protection plastifiée utilisée et s'en défaire avec toute particule de poussière ou autre débris à éliminer. Placez-les dans un contenant hermétique pour déchets et jetez-les conformément à la procédure normale d'élimination des ordures. Pendant le nettoyage, maintenez à distance de la zone immédiate de travail les enfants ou femmes enceintes.
3. Nettoyez soigneusement jouets, meubles lavables, et tout ustensile utilisés par les enfants avant toute nouvelle réutilisation.

Coupes et meulage angulaires (Fig. J)



AVERTISSEMENT : ne pas utiliser les meules angulaires/à tronçonner pour le meulage de finition, car elles ne sont pas conçues pour subir les pressions latérales nécessaires au meulage de finition. La meule pourrait se briser et poser des risques de dommages corporels.

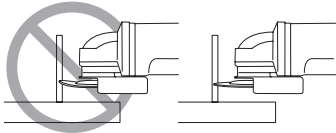


ATTENTION : les meules peuvent se briser ou faire des rebonds lorsqu'elles sont arquées ou si elles subissent des torsions lors de travaux de meulage angulaire ou de découpe. Pour toute opération de meulage angulaire/découpe, orienter l'ouverture du carter dans le sens opposé à l'utilisateur.

AVIS : le meulage angulaire/découpe avec une meule neuve de type 27 doit se limiter à la découpe ou à des entailles peu profondes, inférieures à 13 mm. Réduire la profondeur de coupe/entaille en proportion égale à la réduction du radius de la meule alors qu'elle s'use. Se reporter à la section **Tableau des accessoires** pour plus d'informations. Le meulage angulaire/découpe avec une meule de type 41 requiert l'utilisation d'un carter de type 1.

1. Laissez l'outil tourner à plein régime avant de le mettre en contact avec la surface à travailler.
2. Appliquez un minimum de pression sur la surface à travailler, pour permettre à l'outil de fonctionner à sa vitesse maximum. Le rythme de meulage/coupe est supérieur lorsque l'outil fonctionne à grande vitesse.
3. Placez-vous de façon à ce que la face inférieure de la meule soit à votre opposé.
4. Ne changez pas l'angle de coupe une fois que cette dernière est commencée et qu'une entaille existe dans la pièce à travailler. Cela pourrait faire arquer la meule et la casser. Les meules angulaires ne sont pas conçues pour supporter une pression latérale causée par une incurvation.

Fig. J



5. Retirez l'outil de la pièce à travailler avant de l'arrêter. Laissez l'outil s'arrêter complètement de tourner avant de le poser.

MAINTENANCE

AVERTISSEMENT : pour réduire le risque de blessures graves, éteindre l'outil et retirer le débrancher avant d'effectuer tout réglage et d'enlever ou d'installer tout accessoire. Un démarrage accidentel peut provoquer des blessures.

Nettoyage

AVERTISSEMENT : enlever les saletés et la poussière hors des évents au moyen d'air comprimé propre et sec, au moins une fois par semaine. Pour minimiser le risque de blessure aux yeux, toujours porter une protection oculaire conforme à la norme ANSI Z87.1 lors du nettoyage.

AVERTISSEMENT : ne jamais utiliser de solvants ni d'autres produits chimiques puissants pour nettoyer les pièces non métalliques de l'outil. Ces produits chimiques peuvent affaiblir les matériaux de plastique utilisés dans ces pièces. Utiliser un chiffon humecté uniquement d'eau et de savon doux. Ne jamais laisser de liquide pénétrer dans l'outil et n'immerger aucune partie de l'outil dans un liquide.

Accessoires

AVERTISSEMENT : puisque les accessoires autres que ceux offerts par DeWALT n'ont pas été testés avec ce produit, leur utilisation pourrait s'avérer dangereuse. Pour réduire le risque de blessures, utiliser exclusivement les accessoires DeWALT recommandés avec le présent produit.

Les accessoires recommandés pour cet outil sont vendus séparément au centre de service de votre région. Pour obtenir de l'aide concernant l'achat d'un accessoire, communiquer avec DeWALT Industrial Tool Co., 701 East Joppa Road, Towson, MD 21286 aux États-Unis; composer le 1 800 433-9258 (1 800 4-DeWALT) ou visiter notre site Web : www.dewalt.com.

Réparations

AVERTISSEMENT : pour assurer la SÉCURITÉ et la FIABILITÉ du produit, les réparations, l'entretien et les réglages doivent être réalisés (cela comprend l'inspection et le remplacement du balai) par un centre de réparation en usine DeWALT ou un centre de réparation agréé DeWALT. Toujours utiliser des pièces de rechange identiques.

Registre en ligne

Merci pour votre achat. Enregistrez dès maintenant votre produit :

- **RÉPARATIONS SOUS GARANTIE :** cette carte remplie vous permettra de vous prévaloir du service de réparations sous garantie de façon plus efficace dans le cas d'un problème avec le produit.
- **CONFIRMATION DE PROPRIÉTÉ :** en cas de perte provoquée par un incendie, une inondation ou un vol, cette preuve de propriété vous servira de preuve auprès de votre compagnie d'assurances.
- **SÉCURITÉ :** l'enregistrement de votre produit nous permettra de communiquer avec vous dans l'éventualité peu probable de l'envoi d'un avis de sécurité régi par la loi fédérale américaine de la protection des consommateurs.

Registre en ligne à www.dewalt.com/register.

Garantie limitée de trois ans

DeWALT réparera, sans frais, tout produit défectueux causé par un défaut de matériel ou de fabrication pour une période de trois ans à compter de la date d'achat. La présente garantie ne couvre pas les pièces dont la défectuosité a été causée par une usure normale ou l'usage abusif de l'outil. Pour obtenir de plus amples renseignements sur les pièces ou les réparations couvertes par la présente garantie, visiter le site www.dewalt.com ou composer le 1 800 433-9258 (1 800 4-DeWALT). CETTE GARANTIE LIMITÉE REMPLACE TOUTE AUTRE GARANTIE, Y COMPRIS TOUTE GARANTIE IMPLICITE DE QUALITÉ MARCHANDE OU DE CONFORMITÉ À DES FINIS PARTICULIÈRES, ET EXCLUT TOUT DOMMAGE ACCESSOIRE OU INDIRECT. Certains états n'autorisent aucune limitation quant à la durée d'une garantie implicite ni aucune

FRANÇAIS

exclusion ou limitation de garantie contre tout préjudice accessoire ou indirect, aussi il se peut que ces exclusions ne vous soient pas applicables. Cette garantie confère des droits légaux particuliers à l'acheteur, mais celui-ci pourrait aussi bénéficier d'autres droits variant d'un territoire à l'autre.

En plus de la présente garantie, les outils DeWALT sont couverts par notre :

CONTRAT D'ENTRETIEN GRATUIT D'UN AN

DeWALT entretiendra l'outil et remplacera les pièces usées au cours d'une utilisation normale et ce, gratuitement, pendant une période d'un an à compter de la date d'achat.

GARANTIE DE REMBOURSEMENT DE 90 JOURS

Si l'acheteur n'est pas entièrement satisfait, pour quelque raison que ce soit, du rendement de l'outil électrique, du laser ou de la cloueuse DeWALT, celui-ci peut le retourner, accompagné d'un reçu, dans les 90 jours à compter de la date d'achat pour obtenir un remboursement intégral, sans aucun problème.

AMÉRIQUE LATINE : cette garantie ne s'applique aux produits vendus en Amérique latine. Pour ceux-ci, veuillez consulter les informations relatives à la garantie spécifique présente dans l'emballage, appeler l'entreprise locale ou consulter le site Web pour les informations relatives à cette garantie.

REPLACEMENT GRATUIT DES ÉTIQUETTES

D'AVERTISSEMENT : si les étiquettes d'avertissement deviennent illisibles ou sont manquantes, composer le 1 800 433-9258 (1 800 4-DeWALT) pour en obtenir le remplacement gratuit.

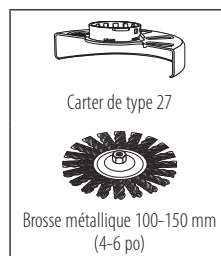
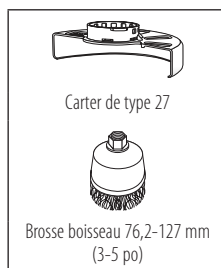
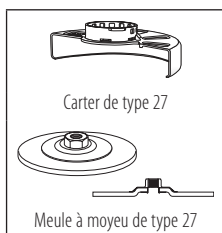
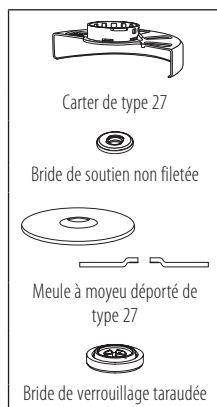
Guide DEL

Cette section présente une liste des différentes couleurs de clignotement, leurs causes et les mesures correctives. Certaines causes peuvent être corrigées par l'utilisateur ou le personnel d'entretien et d'autres peuvent nécessiter l'aide d'un technicien DeWALT qualifié ou votre détaillant.

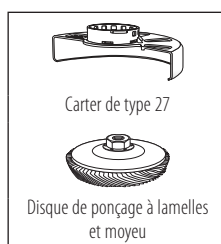
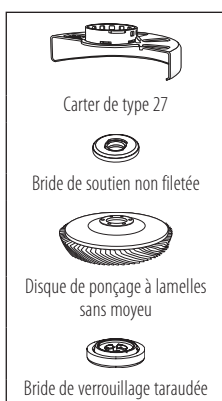
	Protection de perte de tension
Problème	Solution
Le commutateur est en position de marche et l'outil est branché. L'unité ne se met pas en marche.	Faire une séquence arrêt/marche de la gâchette pour remettre l'unité en marche.
	Frein de contre-réaction
Problème	Solution
L'outil a détecté un pincement et le frein de prévention de contre-réaction a été activé.	Inspecter l'accessoire pour détecter tout endommagement et le remplacer au besoin. Au besoin, adopter un angle de travail moins agressif et faire une séquence arrêt/marche de la gâchette pour remettre l'outil en marche.
	Protection thermique
Problème	Solution
L'outil s'est arrêté pour prévenir un endommagement irréversible d'échauffement.	S'assurer que les bouches d'aération d'entrée et de sortie ne sont pas obstruées par les mains de l'utilisateur, ses vêtements ou des débris lors de l'utilisation de l'outil. Faire une séquence arrêt/marche de la gâchette ou débrancher et rebrancher l'unité et réduire le nombre de départs/arrêts de l'outil durant le travail.
	Protection d'immobilisation ou de surcharge
Problème	Solution
L'outil a été coincé durant une période prolongée et s'est mis hors tension.	Remédier au coincement et faire une séquence arrêt/marche de la gâchette pour remettre l'outil en marche.
	Source d'alimentation problématique
Problème	Solution
La source de tension de l'outil est de mauvaise qualité, tel une génératrice de qualité inférieure. Cette situation pourrait endommager l'outil.	Utiliser une autre source d'alimentation, réduire la longueur de tout cordon de rallonge ou débrancher d'autres appareils de la génératrice.

TABLEAU DES ACCESSOIRES

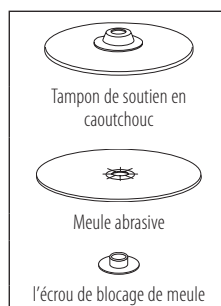
Meule de 125 mm (5 po.) et 150 mm (6 po.)



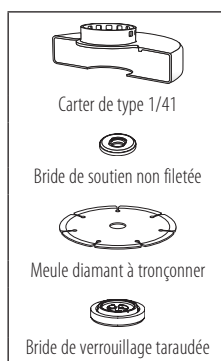
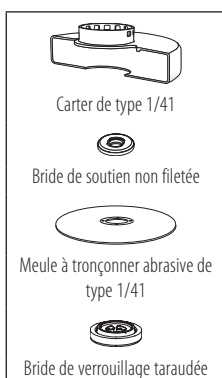
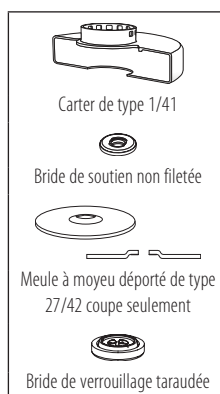
Disques de ponçage à lamelles de 125 mm (5 po.) et 150 mm (6 po.)



Meules abrasives



Meules à tronçonner de 125 mm (5 po.) et 150 mm (6 po.)



Les types 1/41 de carters ont été conçus pour être utilisés avec les meules à tronçonner de type 1/41 et les meules de type 27 pour la découpe seulement. Le meulage avec des meules autres que celles de types 27 et 29 requiert l'utilisation d'un carter de protection autre. Utiliser systématiquement le carter adéquat le plus petit possible, qui ne rentrera pas en contact avec l'accessoire.

Definiciones: Símbolos y palabras de alerta de seguridad

Este manual de instrucciones utiliza los siguientes símbolos y palabras de alerta de seguridad para alertarle de situaciones peligrosas y del riesgo de lesiones corporales o daños materiales.

⚠ PELIGRO: Indica una situación de peligro inminente que, si no se evita, provocará **la muerte o lesiones graves**.

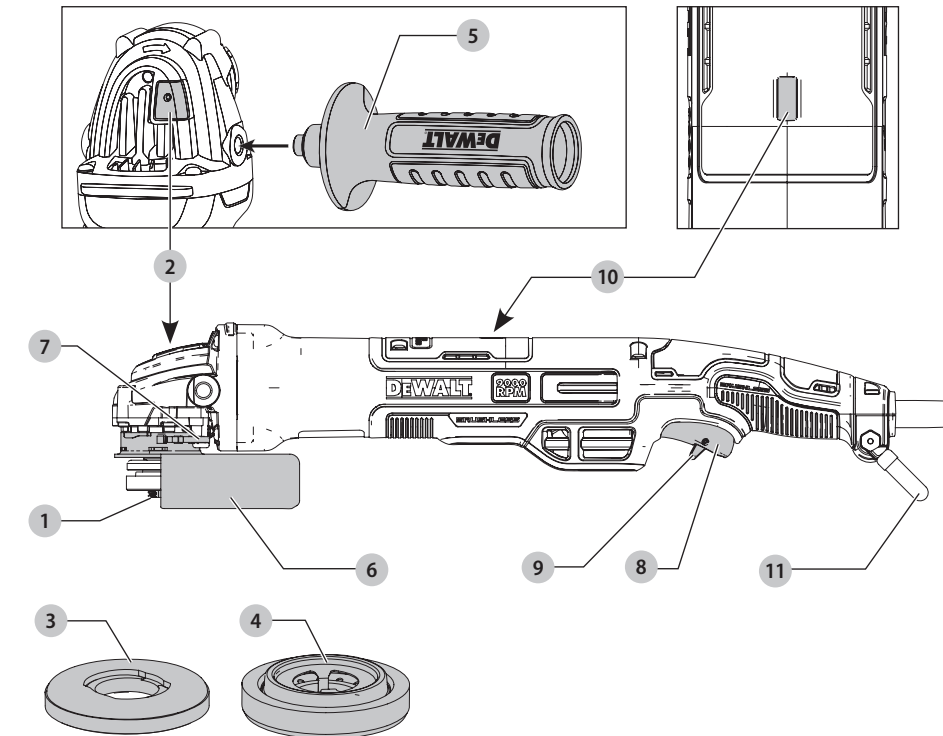
⚠ ADVERTENCIA: Indica una situación de peligro potencial que, si no se evita, **podría provocar la muerte o lesiones graves**.

⚠ ATENCIÓN: Indica una situación de peligro potencial que, si no se evita, **posiblemente provocaría lesiones leves o moderadas**.

⚠ (Utilizado sin palabras) indica un mensaje de seguridad relacionado.

AVISO: Se refiere a una práctica **no relacionada a lesiones corporales** que de no evitarse **puede resultar en daños a la propiedad**.

Fig. A



- 1 Eje
- 2 Botón del seguro del eje
- 3 Brida de respaldo sin rosca
- 4 Brida de bloqueo rosca
- 5 Mango lateral
- 6 Protector
- 7 Palanca de liberación del protector
- 8 Interruptor de gatillo
- 9 Seguro del gatillo
- 10 Indicador LED
- 11 Conexión del cordón

⚠ ¡ADVERTENCIA! Lea todas las advertencias de seguridad e instrucciones. El incumplimiento de las advertencias e instrucciones puede provocar descargas eléctricas, incendios o lesiones graves.

⚠ ADVERTENCIA: Para reducir el riesgo de lesiones, lea el manual de instrucciones.

Si tiene alguna duda o algún comentario sobre ésta u otra herramienta DeWALT, llámenos al número gratuito: 1-800-4-DeWALT (1-800-433-9258).

ADVERTENCIAS GENERALES DE SEGURIDAD PARA HERRAMIENTAS ELÉCTRICAS



¡ADVERTENCIA! Lea todas las advertencias de seguridad e instrucciones. El incumplimiento de las advertencias e instrucciones puede provocar descargas eléctricas, incendios o lesiones graves.

CONSERVE TODAS LAS ADVERTENCIAS E INSTRUCCIONES PARA FUTURAS CONSULTAS

El término "herramienta eléctrica" incluido en las advertencias hace referencia a las herramientas eléctricas operadas con corriente (con cable eléctrico) o a las herramientas eléctricas operadas con baterías (inalámbricas).

1) Seguridad en el Área de Trabajo

- Mantenga el área de trabajo limpia y bien iluminada.** Las áreas abarrotadas y oscuras propician accidentes.
- No opere las herramientas eléctricas en atmósferas explosivas, como ambientes donde haya polvo, gases o líquidos inflamables.** Las herramientas eléctricas originan chispas que pueden encender el polvo o los vapores.
- Mantenga alejados a los niños y a los espectadores de la herramienta eléctrica en funcionamiento.** Las distracciones pueden provocar la pérdida de control.

2) Seguridad Eléctrica

- Los enchufes de la herramienta eléctrica deben adaptarse al tomacorriente. Nunca modifique el enchufe de ninguna manera. No utilice ningún enchufe adaptador con herramientas eléctricas con conexión a tierra.** Los enchufes no modificados y que se adaptan a los tomacorrientes reducirán el riesgo de descarga eléctrica.
- Evite el contacto corporal con superficies con descargas a tierra como, por ejemplo, tuberías, radiadores, cocinas eléctricas y refrigeradores.** Existe mayor riesgo de descarga eléctrica si su cuerpo está puesto a tierra.
- No esponga las herramientas eléctricas a la lluvia o a condiciones de humedad.** Si entra agua a una herramienta eléctrica, aumentará el riesgo de descarga eléctrica.
- No maltrate el cable. Nunca utilice el cable para transportar, tirar o desenchufar la herramienta eléctrica. Mantenga el cable alejado del calor, el aceite, los bordes filosos y las piezas móviles.** Los cables dañados o enredados aumentan el riesgo de descarga eléctrica.
- Al operar una herramienta eléctrica en el exterior, utilice un cable prolongador adecuado para tal uso.** Utilice un cable adecuado para uso en exteriores a fin de reducir el riesgo de descarga eléctrica.
- Si el uso de una herramienta eléctrica en un lugar húmedo es imposible de evitar, utilice**

un suministro protegido con un interruptor de circuito por falla a tierra (GFCI). El uso de un GFCI reduce el riesgo de descargas eléctricas.

3) Seguridad Personal

- Permanezca alerta, controle lo que está haciendo y utilice el sentido común cuando emplee una herramienta eléctrica. No utilice una herramienta eléctrica si está cansado o bajo el efecto de drogas, alcohol o medicamentos.** Un momento de descuido mientras se opera una herramienta eléctrica puede provocar lesiones personales graves.
- Utilice equipos de protección personal. Siempre utilice protección para los ojos.** En las condiciones adecuadas, el uso de equipos de protección, como máscaras para polvo, calzado de seguridad antideslizante, cascos o protección auditiva, reducirá las lesiones personales.
- Evite el encendido por accidente. Asegúrese de que el interruptor esté en la posición de apagado antes de conectarlo a la fuente de energía o paquete de baterías, o antes de levantar o transportar la herramienta.** Transportar herramientas eléctricas con el dedo apoyado en el interruptor o enchufar herramientas eléctricas con el interruptor en la posición de encendido puede propiciar accidentes.
- Retire la clavija de ajuste o la llave de tuercas antes de encender la herramienta eléctrica.** Una llave de tuercas o una clavija de ajuste que quede conectada a una pieza giratoria de la herramienta eléctrica puede provocar lesiones personales.
- No se estire. Conserve el equilibrio y párese adecuadamente en todo momento.** Esto permite un mejor control de la herramienta eléctrica en situaciones inesperadas.
- Use la vestimenta adecuada. No use ropas holgadas ni joyas. Mantenga el cabello, la ropa y los guantes alejados de las piezas en movimiento.** Las ropas holgadas, las joyas o el cabello largo pueden quedar atrapados en las piezas en movimiento.
- Si se suministran dispositivos para la conexión de accesorios con fines de recolección y extracción de polvo, asegúrese de que estén conectados y que se utilicen correctamente.** El uso de dispositivos de recolección de polvo puede reducir los peligros relacionados con el polvo.

4) Uso y Mantenimiento de la Herramienta Eléctrica

- No fuerce la herramienta eléctrica. Utilice la herramienta eléctrica correcta para el trabajo que realizará.** Si se la utiliza a la velocidad para la que fue diseñada, la herramienta eléctrica correcta permite trabajar mejor y de manera más segura.
- No utilice la herramienta eléctrica si no puede encenderla o apagarla con el interruptor.** Toda

herramienta eléctrica que no pueda ser controlada mediante el interruptor es peligrosa y debe repararse.

- c) **Desconecte el enchufe de la fuente de energía o el paquete de baterías de la herramienta eléctrica antes de realizar ajustes, cambiar accesorios o almacenar la herramienta eléctrica.** *Estas medidas de seguridad preventivas reducen el riesgo de encender la herramienta eléctrica en forma accidental.*
- d) **Guarde la herramienta eléctrica que no esté en uso fuera del alcance de los niños y no permita que otras personas no familiarizadas con ella o con estas instrucciones operen la herramienta.** *Las herramientas eléctricas son peligrosas si son operadas por usuarios no capacitados.*
- e) **Realice el mantenimiento de las herramientas eléctricas. Revise que no haya piezas en movimiento mal alineadas o trabadas, piezas rotas o cualquier otra situación que pueda afectar el funcionamiento de la herramienta eléctrica. Si encuentra daños, haga reparar la herramienta eléctrica antes de utilizarla.** *Se producen muchos accidentes a causa de las herramientas eléctricas que carecen de un mantenimiento adecuado.*
- f) **Mantenga las herramientas de corte afiladas y limpias.** *Las herramientas de corte con mantenimiento adecuado y con los bordes de corte afilados son menos propensas a trabarse y son más fáciles de controlar.*
- g) **Utilice la herramienta eléctrica, los accesorios y las brocas de la herramienta, etc. de acuerdo con estas instrucciones y teniendo en cuenta las condiciones de trabajo y el trabajo que debe realizarse.** *El uso de la herramienta eléctrica para operaciones diferentes de aquéllas para las que fue diseñada podría originar una situación peligrosa.*

5) Mantenimiento

- a) **Solicite a una persona calificada en reparaciones que realice el mantenimiento de su herramienta eléctrica y que sólo utilice piezas de repuesto idénticas.** *Esto garantizará la seguridad de la herramienta eléctrica.*

INSTRUCCIONES DE SEGURIDAD PARA TODAS LAS OPERACIONES

Advertencias de seguridad comunes para Esmerilado, Lijado, Pulido con Alambre u Operaciones abrasivas o de corte

- a) **Esta herramienta eléctrica está diseñadas para funcionar como una esmeriladora, lijadora, cepillo de alambre o herramienta de corte. Lea todas las advertencias de seguridad, instrucciones, ilustraciones y especificaciones provistas con esta herramienta eléctrica. La falla en seguir todas las instrucciones siguientes**

puede resultar en descarga eléctrica, incendio y/o lesiones serias.

- b) **No use para pulir.**
- c) **No utilice accesorios que no estén diseñados y recomendados específicamente por el fabricante de la herramienta.** *El hecho que el accesorio pueda conectarse a la herramienta eléctrica no garantiza un funcionamiento seguro.*
- d) **La velocidad nominal del accesorio debe ser equivalente a la velocidad máxima indicada en la herramienta eléctrica, como mínimo.** *Los accesorios que funcionen más rápido que su velocidad nominal pueden romperse y desprendarse.*
- e) **El diámetro externo y el grosor del accesorio deben estar dentro del rango de capacidad de la herramienta eléctrica.** *Los accesorios de tamaño incorrecto no pueden protegerse ni controlarse adecuadamente.*
- f) **El montaje de rosca de los accesorios debe corresponderse con la rosca del eje de la esmeriladora. Para los accesorios montados con bridas, el orificio del eje del accesorio debe ajustarse al diámetro de centrado de la brida.** *Los accesorios que no se corresponden con las piezas de montaje de la herramienta eléctrica se desequilibrarán, vibrarán excesivamente y pueden causar pérdida de control.*
- g) **No utilice un accesorio dañado. Inspeccione el accesorio antes de cada uso; por ejemplo, el disco abrasivo para verificar que no tenga astillas ni grietas; la almohadilla de respaldo para ver si hay grietas, desprendimientos o desgaste excesivo y el cepillo de alambre para ver si tiene alambres sueltos o quebrados. Si la herramienta eléctrica o el accesorio sufre una caída, inspeccione para ver si hay daños o instale un accesorio en buen estado. Después de inspeccionar e instalar un accesorio, ubíquese y ubique a los espectadores lejos del plano del accesorio giratorio y haga funcionar la herramienta a velocidad máxima sin carga durante un minuto.** *Los accesorios dañados generalmente se romperán durante esta prueba.*
- h) **Utilice equipos de protección personal. Según la aplicación, debe usar protector facial, anteojos de seguridad o lentes de seguridad. Según corresponda, utilice máscara para polvo, protectores auditivos, guantes y delantal de taller para protegerse de los pequeños fragmentos abrasivos y de los fragmentos de la pieza de trabajo. La protección para los ojos debe ser capaz de detener los residuos volátiles que se generan en las diferentes operaciones. La máscara para polvo o respirador debe ser capaz de filtrar las partículas generadas por el funcionamiento de la herramienta.** *La exposición prolongada al ruido intenso puede provocar pérdida de la audición.*

- i) **Mantenga a los espectadores a una distancia segura del área de trabajo. Toda persona que ingrese al área de trabajo debe utilizar equipos de protección personal.** Los fragmentos de una pieza de trabajo o de un accesorio roto pueden volar y provocar lesiones más allá del área de operaciones cercana.
- j) **Sostenga la herramienta eléctrica solo por sus superficies de empuñadura aisladas cuando realice una operación en la cual el accesorio para cortar pudiera entrar en contacto con instalaciones eléctricas ocultas o con su propio cable.** Si el accesorio para cortar entra en contacto con un cable bajo tensión, se cargarán las partes metálicas de la herramienta expuestas a la corriente y podrían producir una descarga eléctrica al operador.
- k) **Coloque el cable lejos del accesorio giratorio.** Si pierde el control de la herramienta, el cable puede cortarse o enredarse y jalarle la mano o el brazo hacia el accesorio giratorio.
- l) **Nunca apoye la herramienta hasta que el accesorio se haya detenido completamente.** El accesorio giratorio puede enganchar la superficie y producir la pérdida de control de la herramienta.
- m) **No haga funcionar la herramienta eléctrica mientras la carga a su lado.** El contacto accidental con el accesorio giratorio puede hacer que éste se le enganche en la ropa y lance el accesorio hacia su cuerpo.
- n) **Limpie frecuentemente los orificios de ventilación de la herramienta eléctrica.** El ventilador del motor atraerá el polvo dentro de la cubierta, y la acumulación excesiva de polvo metálico puede producir riesgos eléctricos.
- o) **No use la herramienta eléctrica cerca de materiales inflamables.** Las chispas pueden encender estos materiales.
- p) **No utilice accesorios que requieran refrigerantes líquidos.** El uso de agua u otros refrigerantes líquidos puede producir una electrocución o descarga eléctrica.
- q) **No utilice discos Tipo 11 (copas cónicas) en esta herramienta.** El uso de accesorios incorrectos puede producir lesiones.
- r) **Siempre utilice el mango lateral. Ajuste el mango con firmeza.** Se debe utilizar siempre el mango lateral para mantener el control de la herramienta en todo momento.
- s) **Al arrancar la herramienta con un disco nuevo o de repuesto, o un cepillo de alambre nuevo o de repuesto, sostenga la herramienta en un área bien protegida y póngala en funcionamiento durante un minuto. Si el disco tiene una grieta o un defecto que haya pasado inadvertido, se romperá en pedazos en menos de un minuto. Si el cepillo de alambre tiene alambres sueltos, serán detectados. Nunca encienda la herramienta si una persona está parada frente al disco.** Esta instrucción incluye al operador.
- t) **El uso de accesorios no especificados en este manual no se recomienda y puede ser peligroso.** El uso de amplificadores de potencia que hagan que la herramienta funcione a velocidades mayores que su velocidad nominal constituye un mal uso.
- u) **Use abrazaderas u otra forma práctica de asegurar y apoyar la pieza de trabajo a una plataforma estable.** El sujetar la pieza de trabajo con la mano o contra su cuerpo no proporciona estabilidad y puede causar una pérdida de control.
- v) **Evite hacer rebotar el disco o manejarlo bruscamente.** Si ocurre esto, pare la herramienta e inspeccione el disco para comprobar si hay grietas o defectos.
- w) Maneje y guarde siempre los discos con cuidado.
- x) **No utilice esta herramienta durante períodos largos de tiempo. La vibración causada por la acción de funcionamiento de esta herramienta puede causar una lesión permanente a los dedos, manos y brazos.** Utilice guantes para proporcionar mayor protección, tómese descansos frecuentes y limite el tiempo de uso diario.
- y) **Los orificios de ventilación suelen cubrir las piezas en movimiento, por lo que deben evitarse.** La ropa suelta, las joyas y el pelo largo pueden quedar atrapados en las piezas en movimiento.

Advertencias de retroceso y relacionadas

El retroceso es una reacción repentina al pellizco o atascamiento de un disco giratorio, una almohadilla de respaldo, un cepillo o cualquier otro accesorio. El pellizco o el atascamiento hacen que el accesorio giratorio se trabé rápidamente, lo que a su vez provoca que la herramienta eléctrica fuera de control vaya en sentido opuesto al giro del accesorio en el punto del atascamiento.

Por ejemplo, si la pieza de trabajo atasca o pellizca el disco abrasivo, el borde del disco que ingresa en el punto de pliegue puede clavarse en la superficie del material y provocar que el disco salte o se desenganche. El disco puede saltar hacia el operador o en sentido contrario, según la dirección del movimiento del disco en el punto de pellizco. Los discos abrasivos también se pueden romper en estas condiciones.

El retroceso es el resultado de un mal uso de la herramienta o de condiciones o procedimientos operativos incorrectos y se puede evitar tomando las precauciones apropiadas que se indican a continuación:

- a) **Sostenga la herramienta eléctrica con firmeza y ubique el cuerpo y el brazo para poder resistir las fuerzas de retroceso. Siempre utilice el mango lateral, en caso de tenerlo, para lograr el máximo control sobre el retroceso o la reacción de torsión durante el encendido.** El operador puede controlar la reacción de torsión o las fuerzas de retroceso si toma las precauciones adecuadas.

- b) **Nunca coloque la mano cerca del accesorio giratorio**, ya que éste puede hacer un retroceso sobre la mano.
- c) **No ubique el cuerpo en el área hacia donde la herramienta eléctrica se desplazará si se produce un retroceso**. El retroceso impulsará la herramienta en la dirección opuesta al movimiento del disco en el punto de atascamiento.
- d) **Tenga especial cuidado al trabajar en esquinas, bordes filosos, etc. Evite hacer rebotar o enganchar el accesorio**. Las esquinas, los bordes filosos y el rebote tienden a enganchar el accesorio giratorio y producir la pérdida de control o el retroceso de la unidad.
- e) **No conecte una hoja para carpintería para sierra de cadena ni una hoja de sierra dentada**. Estas hojas pueden producir el retroceso y la pérdida de control frecuentes.

Advertencias de seguridad específicas para operaciones de esmerilado y cortes abrasivos

- a) **Utilice sólo los tipos de disco recomendados para su herramienta eléctrica y el protector específico para el disco seleccionado**. Los discos para los que la herramienta eléctrica no está diseñada no pueden protegerse adecuadamente y son inseguros.
- b) **La superficie de esmerilado de los discos de centro hundido debe montarse por debajo del borde del protector**. Un disco montado incorrectamente que se proyecte a través del plano del borde del protector no puede protegerse adecuadamente.
- c) **El protector debe fijarse en forma segura a la herramienta eléctrica y ubicarse para brindar la máxima seguridad, de manera que una mínima parte del disco quede expuesta hacia el operador**. El protector ayuda a proteger al operador de los fragmentos despedidos por discos rotos, del contacto accidental con el disco y de chispas que podrían prender fuego a la ropa.
- d) **Los discos sólo deben utilizarse para las aplicaciones recomendadas. Por ejemplo: no esmerile con el costado del disco de corte**. Los discos para cortes abrasivos están diseñados para esmerilados periféricos, si se aplican fuerzas laterales a estos discos, pueden romperse.
- e) **Siempre utilice bridas de disco en buen estado, con la forma y el tamaño apropiados para el disco seleccionado. Las bridas de disco adecuadas brindan soporte al disco, además de reducir la posibilidad de que el disco se rompa**. Las bridas de los discos de corte pueden ser diferentes a las bridas de discos de esmerilado.
- f) **No utilice discos desgastados de herramientas eléctricas más grandes**. Los discos diseñados para herramientas eléctricas más grandes no

son apropiados para la mayor velocidad de una herramienta más pequeña y pueden estallar.

Advertencias de seguridad adicionales específicas para operaciones de corte abrasivo

- a) **No "atasque" el disco de corte ni aplique una presión excesiva. No intente realizar una profundidad de corte excesiva**. La sobrecarga de tensión sobre el disco aumenta la carga y la posibilidad de que el disco se tuerza o trabe durante el corte y se produzca un retroceso o la rotura del disco.
- b) **No ubique el cuerpo en línea y detrás del disco giratorio**. Cuando el disco, en funcionamiento, se aleja de su cuerpo, el posible retroceso puede despedir el disco giratorio y la herramienta eléctrica irá directamente hacia usted.
- c) **Cuando el disco se atasque o deba interrumpir el corte por algún motivo, apague la herramienta eléctrica y manténgala inmóvil hasta que el disco se detenga completamente. Nunca intente retirar el disco del corte mientras está en movimiento, ya que se puede producir un retroceso**. Investigue y tome las medidas correctivas para eliminar la causa del atascamiento del disco.
- d) **No vuelva a iniciar la operación de corte en la pieza de trabajo. Deje que el disco alcance la velocidad máxima y vuelva a entrar cuidadosamente en el corte**. El disco puede atascarse, saltarse del trabajo o producir un retroceso si la herramienta eléctrica se vuelve a encender dentro de la pieza de trabajo.
- e) **Sostenga los paneles o cualquier pieza de trabajo con sobreespesor para minimizar el riesgo de que el disco se pellizque o se produzca un retroceso. Las piezas de trabajo grandes tienden a combarse por su propio peso**. Los apoyos deben colocarse debajo de la pieza de trabajo, cerca de la línea de corte y cerca del borde de la pieza de trabajo, a ambos lados del disco.
- f) **Sea muy cuidadoso cuando realice un "corte interno" en paredes existentes o en otras zonas ciegas**. El disco que sobresale puede cortar cañerías de gas o agua, cables eléctricos u objetos que pueden producir un retroceso.

Advertencias de seguridad específicas para operaciones de lijado

- a) **No utilice papel para disco de lijar con sobreespesor excesivo. Siga las recomendaciones del fabricante al seleccionar el papel de lija**. Los papeles de lija más grandes que sobrepasan la almohadilla de lijado representan un peligro de laceración y pueden provocar el retroceso o que el disco se enganche o se rompa.

Advertencias de seguridad específicas para operaciones de cepillado con cepillo de alambre

- a) **Tenga en cuenta que las cerdas de alambre se desprenden del cepillo incluso durante el funcionamiento común. No sobrecargue los alambres al aplicar una carga excesiva al cepillo.** Las cerdas de alambre pueden penetrar fácilmente la ropa liviana y la piel.
- b) **Si se recomienda la utilización de un protector para el cepillado con cepillo de alambre, no permita ninguna interferencia entre el disco o cepillo de alambre y el protector.** El disco o cepillo de alambre puede expandir su diámetro debido a las fuerzas centrífuga y de trabajo.
- c) **El operador y otras personas que se encuentren a no más de 15,2 m (50 pies) de este producto en funcionamiento DEBEN usar lentes de seguridad con pantallas laterales de protección y una pantalla facial conforme con la norma ANSI Z87.1.**

Instrucción Adicional de Seguridad



ADVERTENCIA: Use **SIEMPRE** lentes de seguridad. Los anteojos de diario **NO SON** lentes de seguridad. Utilice además una cubrebocas o mascarilla antipolvo si la operación de corte genera demasiado polvo. SIEMPRE LLEVE EQUIPO DE SEGURIDAD CERTIFICADO:

- protección ocular ANSI Z87.1 (CAN/CSA Z94.3),
- protección auditiva ANSI S12.6 (S3.19),
- protección respiratoria NIOSH/OSHA/MSHA.



ADVERTENCIA: Algunas partículas de polvo generadas al lijar, serrar, esmerilar y taladrar con herramientas eléctricas, así como al realizar otras actividades de construcción, contienen químicos que el Estado de California sabe que pueden producir cáncer, defectos congénitos u otras afecciones reproductivas. Ejemplos de estos químicos son:

- plomo de algunas pinturas en base a plomo,
- polvo de sílice proveniente de ladrillos y cemento y otros productos de albañilería, y
- arsénico y cromo provenientes de madera tratada químicamente.

Su riesgo de exposición a estos químicos varía, dependiendo de la frecuencia con la cual realiza usted este tipo de trabajo. Para reducir su exposición a estas sustancias químicas: trabaje en una zona bien ventilada y llevando equipos de seguridad aprobados, como mascarillas antipolvo especialmente diseñadas para filtrar partículas microscópicas.

- **Evite el contacto prolongado con polvo generado por el lijado, aserrado, pulido, taladrado y otras actividades de construcción. Vista ropas protectoras y lave las áreas de la piel expuestas con agua y jabón.** Si permite que el polvo se introduzca en la boca u ojos o quede sobre la piel, puede favorecer la absorción de productos químicos peligrosos.



ADVERTENCIA: La utilización de esta herramienta puede generar polvo o dispersarlo, lo que podría causar daños graves y permanentes al sistema respiratorio, así como otras lesiones. Siempre use protección respiratoria aprobada por NIOSH (Instituto Nacional de Seguridad y Salud en el Trabajo) u OSHA (Administración de Seguridad y Salud en el Trabajo) apropiada para la exposición al polvo. Dirija las partículas en dirección contraria a la cara y el cuerpo.



ADVERTENCIA: Siempre lleve la debida protección auditiva personal en conformidad con ANSI S12.6 (S3.19) durante el uso de esta herramienta. Bajo algunas condiciones y duraciones de uso, el ruido producido por este producto puede contribuir a la pérdida auditiva.

- **Los hilos del alargador deben ser de un calibre apropiado (AWG o American Wire Gauge) para su seguridad.** Mientras menor sea el calibre del hilo, mayor la capacidad del cable. Es decir, un hilo calibre 16 tiene mayor capacidad que uno de 18. Un cable de un calibre insuficiente causará una caída en la tensión de la línea dando por resultado una pérdida de energía y sobrecalentamiento. Cuando se utilice más de un alargador para completar el largo total, asegúrese que los hilos de cada alargador tengan el calibre mínimo. La tabla siguiente muestra el tamaño correcto a utilizar, dependiendo de la longitud del cable y del amperaje nominal de la placa de identificación. Si tiene dudas sobre cuál calibre usar, use un calibre mayor. Cuanto menor sea el número del calibre, más resistente será el cable.

Calibre mínimo de conjuntos de cables

Voltios	Longitud total del cable en pies (metros)				
	120 V	25 (7,6)	50 (15,2)	100 (30,5)	150 (45,7)
240 V	50 (15,2)	100 (30,5)	200 (61,0)	300 (91,4)	
Amperaje nominal		AWG			
Más de	Más de	18	16	16	14
0	6	18	16	14	12
6	10	16	16	14	12
10	12	16	16	14	12
12	16	14	12	No recomendado	

La etiqueta de su herramienta puede incluir los siguientes símbolos. A continuación se indican los símbolos y sus definiciones:

V	voltios	sfpn	pies de superficie por minuto
Hz	hertz	SPM	pasadas por minuto
min	minutos	A	amperios
== or DC	direct current	W	watios
Ⓢ	Construcción de Clase I (tierra)	~ or AC	corriente alterna
.../min	por minuto	~ or AC/DC	corriente alterna o directa
BPM	golpes por minuto	Ⓢ	Construcción de Clase II (doble aislamiento)
IPM	impactos por minuto	n ₀	velocidad sin carga
RPM	revoluciones por minuto		

ESPAÑOL

n.....	velocidad nominal	☉.....	protección respiratoria
⚡.....	terminal de conexión a tierra	👁.....	protección ocular
⚠.....	símbolo de advertencia de seguridad	👂.....	protección auditiva
☢.....	radiación visible	📖.....	lea toda la documentación

Conexión del cordón (Fig. B)

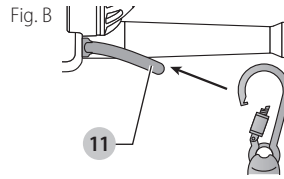
Advertencias de seguridad específicas para uso en altura

⚠ ADVERTENCIA: Si se deja caer la herramienta por cualquier razón, se debe revisar la conexión del cordón y recibir servicio adecuadamente antes de volver a usarla. La conexión de cordón está diseñada para estirarse para absorber el impacto de una caída. Cualquier estiramiento permanente a la conexión que exponga las bobinas internas marcadas en rojo indica que se ha comprometido y se debe dar servicio antes de volver a usarlo.

- Mantenga siempre atados la herramienta y los accesorios cuando trabaje "en altura". [Longitud máxima del cordón: 2 m (6 pies)]
- Úsela solamente con cordones apropiados para este tipo de herramienta diseñados para un mínimo de 6,8 kg (15 lbs.).
- **Peligro de aplastamiento, corte o enredo.** No lo utilice cerca de piezas en movimiento, mecanismos o maquinaria en funcionamiento.
- No sujete el cordón de la herramienta a nada en su cuerpo. Sujételo a una estructura rígida que pueda soportar las fuerzas de una herramienta que se caiga.
- Asegúrese de que el cordón esté bien sujeto a cada extremo antes de utilizarlo.
- Inspeccione la herramienta y el cordón antes de cada uso para determinar si se han producido daños y si funcionan correctamente (incluida la tela y las costuras). No los utilice si están dañados o no funcionan adecuadamente.
- No altere la conexión del cordón ni la utilice de una manera distinta a la indicada en este manual.
- Ate la herramienta solamente a un cordón con mosquetón con cierre de seguridad. No la ate haciendo una lazada o un nudo con el cordón. No utilice soga o cuerda.
- Peligro de descarga eléctrica. Asegúrese de que esté cortada la corriente cuando trabaje en áreas de alto voltaje. Algunos cordones son conductores.
- Las herramientas que se caen se balancearán en el cordón, lo cual podría ocasionar lesiones o pérdida de equilibrio.
- No transporte la herramienta sujetándola del dispositivo de sujeción o del cordón.
- No ate más de una herramienta a cada cordón.
- Utilice solamente puntos de sujeción apropiados de la marca DeWALT. No modifique NUNCA las herramientas para crear puntos de sujeción.
- Pase la herramienta de una mano a otra solamente mientras esté bien equilibrado en una orientación estable.

- No sujete los cordones a la herramienta de forma que los protectores, los interruptores o los bloqueos no funcionen correctamente.
- Evite enredarse con el cordón.
- Mantenga el cordón alejado del área de corte de la herramienta.
- No utilice cordones ni dispositivos de sujeción para obtener mayor apalancamiento de la herramienta.
- No la utilice para protección personal contra las caídas.
- **¡Peligro de caída de objeto!** Cambie solamente los accesorios cuando un objeto caído no cause peligro por debajo de usted. Consulte a su autoridad competente o supervisor en el lugar de trabajo para informarse sobre los procedimientos para trabajar en alturas.
- Use mosquetones de tipo multiacción y con seguro de rosca. No use mosquetones de acción única y gancho de resorte.

La conexión del cordón **11** está diseñada para ser utilizada por personal competente, capacitado y con conocimientos relativos al trabajo con herramientas en y alrededor de maquinaria y "en altura". Puede agregarse una conexión de cordón a ciertos modelos por un centro de servicio autorizado.



GUARDE ESTAS INSTRUCCIONES PARA VOLVER A CONSULTAR EN EL FUTURO

Motor

Asegúrese de que la fuente de energía concuerde con lo que se indica en la placa. Un descenso en el voltaje de más del 10% producirá una pérdida de potencia y sobrecalentamiento. Todas las herramientas DeWALT son probadas en fábrica; si esta herramienta no funciona, verifique el suministro eléctrico.

COMPONENTES (FIG. A)

⚠ ADVERTENCIA: Nunca modifique la herramienta eléctrica, ni tampoco ninguna de sus piezas. Podría producir lesiones corporales o daños.

Consulte la Figura A al principio de este manual para obtener una lista completa de los componentes.

Uso debido

Su esmeriladora angular pequeña para trabajos pesados está diseñada para aplicaciones profesionales de esmerilado, lijado, cepillado metálico y corte en diversos lugares de trabajo (por ejemplo, sitios de construcción).

NO utilice la herramienta en condiciones de humedad o en presencia de líquidos o gases inflamables.

Su esmeriladora angular pequeña para trabajos pesados es una herramienta eléctrica profesional.

NO permita que los niños toquen la herramienta. Si el operador no tiene experiencia operando esta herramienta, su uso deberá ser supervisado.

Características

E-Switch Protection™

El interruptor ON/OFF (encendido/apagado) tiene una función de liberación sin voltaje. En el caso de un apagón u otro paro inesperado, se necesitará activar el interruptor (apagarse y encenderse) para volver a iniciar la herramienta.

E-Clutch™

Esta unidad está equipada con un E-Clutch™ (Embrague electrónico), que en el caso de un ahogamiento o atrapamiento de la rueda, la unidad se apagará para reducir la torsión de reacción al usuario. El interruptor se necesita activar (apagar y encender) para reiniciar la herramienta.

Freno

Cuando se libera el interruptor de gatillo, el motor se apaga de inmediato y frena electrónicamente deteniendo el accesorio con rapidez.

Kickback Brake™

Cuando se detecte un evento de atrapamiento, ahogamiento, o atasco severo, el freno electrónico se activa con la fuerza máxima para detener rápidamente la rueda, reducir el movimiento de la esmeriladora, y apagarla. Encienda la unidad para reiniciar la herramienta.

Constant Clutch™

Cuando se sobrecargue o ahogue, la torsión del motor se reduce. Si la carga se reduce, la torsión y RPM se incrementarán. Si la herramienta se ahoga por una cantidad prolongada de tiempo, se apagará y requerirá que se active el interruptor para reiniciar.

Indicador LED (Fig. A)

El indicador LED **10** permanecerá iluminado en verde durante la actividad normal, o parpadeará en un patrón de luz roja para alertarlo que se ha activado una función de protección de la herramienta. Consulte la **Guía LED** en el anverso de este manual respecto a las explicaciones de los patrones de parpadeo.

MONTAJE Y AJUSTES



ADVERTENCIA: Para reducir el riesgo de lesiones personales graves, apague la herramienta y desconéctela de la fuente de alimentación antes de realizar ajustes o de retirar/instalar dispositivos o accesorios. Un arranque accidental podría causar lesiones.

Accesorios

La capacidad de la DWE43265N es para discos de esmerilar de 150 mm (6") de diámetro x 6,35 mm (1/4") de grosor. Es importante seleccionar los protectores, las almohadillas de respaldo y las bridas correctos a utilizar con los accesorios de la esmeriladora. Consulte las página 45 por información para seleccionar los accesorios correctos.



ADVERTENCIA: Manipule y almacene todos los discos abrasivos con cuidado para evitar daños producidos por choque térmico, calor, daño mecánico, etc. Guárdelos en un lugar seco y protegido donde no haya un nivel elevado de humedad, temperaturas de congelación o cambios de temperatura extremos.

Fijación del mango lateral (Fig. A)



ADVERTENCIA: Antes de utilizar la herramienta, compruebe que el mango esté bien apretado.

Atornille bien el mango lateral **5** en uno de los orificios a cada lado de la caja de engranajes. Se debe utilizar siempre el mango lateral para mantener el control de la herramienta en todo momento.

Protectores



ATENCIÓN: Deben usarse protectores con todos los discos de esmerilar, discos de corte, discos de aleta para lijar, cepillos y discos de alambre. La herramienta puede usarse sin un protector solamente cuando se lije con discos para lijar convencionales. Consulte la Figura A para ver los protectores suministrados con la unidad. Algunas aplicaciones pueden requerir la compra del protector correcto de su distribuidor local o centro de servicio autorizado.

NOTA: El esmerilado y corte de bordes puede realizarse con discos tipo 27 diseñados y especificados para este propósito; los discos de un grosor de 6,35 mm (1/4") están diseñados para el esmerilado de superficies mientras que debe examinarse la etiqueta del fabricante de los discos tipo 27 más finos para ver si pueden ser utilizados para el esmerilado de superficies o solamente para el esmerilado/corte de bordes. Debe utilizarse un protector tipo 1 para cualquier disco cuando el esmerilado de superficies esté prohibido. Los cortes pueden realizarse también utilizando un disco Tipo 41 y un protector Tipo 1.

NOTA: Consulte la **Tabla de accesorios** para seleccionar la combinación apropiada de protector/accesorio.

Ajuste y montaje del protector (Fig. C, D)



ATENCIÓN: Apague y desenchufe la unidad antes de realizar ajustes o de extraer o instalar accesorios.



ATENCIÓN: ANTES de operar la herramienta, identifique en qué opción de ajuste está fijada su herramienta.

Opciones de ajuste

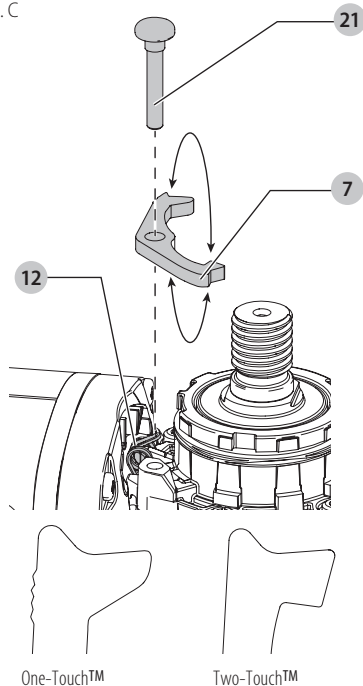
Para el ajuste del protector, la palanca de liberación del protector **7** engrana uno de los orificios de alineamiento **13** en el collarín del protector utilizando una función de trinquete. Su esmeriladora ofrece dos opciones para este ajuste.

- **One-touch™:** En esta posición la parte que engrana está inclinada y pasará por encima del siguiente orificio de alineamiento cuando el protector esté rotado en sentido horario (con el eje mirando al usuario) pero se autobloquea en sentido antihorario.
- **Two-touch™:** En esta posición la parte que engrana está recta y perpendicular. NO pasará por encima del

ESPAÑOL

siguiente orificio de alineamiento a menos que la palanca de liberación de la palanca del protector esté presionada al mismo tiempo que se gira el protector en sentido horario o antihorario (con el eje mirando al usuario).

Fig. C



Fijación de las opciones de ajuste del protector

Para ajustar la palanca de liberación del protector 7 para la opción de ajuste deseada:

1. Retire el tornillo 21 utilizando una broca T20.
2. Retire la palanca de liberación del protector tomando nota de la posición del resorte. Elija el extremo de la palanca para la opción de ajuste deseada. One-touch utilizará el extremo inclinado de la palanca 7 para engranar los orificios de alineamiento 13 en el collarín del protector. Two-touch utilizará el extremo perpendicular 7 para engranar los orificios de alineamiento 13 en el collarín del protector.
3. Vuelva a colocar la palanca, posicionando el extremo elegido bajo el resorte 12. Asegúrese de que la palanca esté en contacto adecuado con el resorte.
4. Cambie el tornillo y el par de torsión a 2.0-3.0N·m. Asegúrese de que la instalación sea adecuada con la función de retorno de resorte presionando la palanca de liberación del protector 7.

Montaje del protector (Fig. D)

⚠ ATENCIÓN: Antes de montar el protector, asegúrese de que el tornillo, la palanca y el resorte estén bien puestos antes de montar el protector.

1. Con el eje mirando al operador, presione y mantenga presionada la palanca de liberación del protector 7.

2. Alinee las orejetas 14 del protector con las ranuras 15 de la cubierta de la caja de engranajes.
3. Empuje hacia abajo el protector hasta que sus lengüetas engranen y giren en la ranura de la cubierta de la caja de engranajes. Suelte la palanca de liberación del protector.

Para colocar el protector:

One-touch™: Gire el protector en sentido horario hasta la posición de trabajo deseada. Presione y mantenga presionada la palanca de liberación del protector 7 para girar el protector en sentido antihorario.

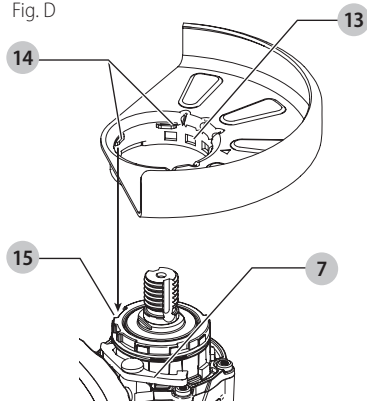
Two-touch™: Presione y mantenga presionada la palanca de liberación del protector 7. Gire el protector en sentido horario o antihorario hasta la posición de trabajo deseada.

NOTA: El cuerpo del protector debe quedar colocado entre el eje y el operador para proveer la máxima protección al operador.

La palanca de liberación del protector debe encajar en uno de los orificios de alineamiento 13 del collarín del protector. Así se garantiza que el protector esté bien instalado.

4. Para extraer el protector, siga los pasos 1 a 3 de estas instrucciones a la inversa

Fig. D



Bridas y discos

⚠ ATENCIÓN: Apague y desenchufe la herramienta antes de realizar ajustes o de extraer o instalar accesorios.

Montaje de ruedas sin cubo (Fig. E)

⚠ ADVERTENCIA: La falla en asentar adecuadamente las bridas y/o la rueda podría resultar en lesiones serias (o daño a la herramienta o la rueda).

⚠ ATENCIÓN: Las bridas incluidas se deben usar con las ruedas de pulido Tipo 27/42 y ruedas de corte Tipo 1/41 de centro rebajado. Vea la **Tabla de accesorios** para información adicional.

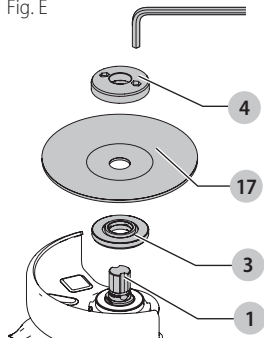
⚠ ADVERTENCIA: Se requiere una protección de rueda de corte cerrada de dos lados cuando use ruedas de corte abrasivas o ruedas de corte recubiertas de diamante.

⚠ ADVERTENCIA: El uso de una brida o protección dañada o la falla en usar una brida y protección

*adecuadas puede resultar en lesiones debidas a la ruptura de la rueda y contacto con la misma. Vea la **Tabla de accesorios para información adicional.***

1. Coloque la herramienta sobre una mesa, con la protección hacia arriba.
2. Instale la brida de respaldo desenroscada **3** sobre el husillo **1** con el centro levantado (piloto) viendo hacia la rueda.
3. Coloque la rueda **17** contra la brida de respaldo, centrando la rueda sobre el centro levantado (piloto) de la brida de respaldo.
4. Mientras presiona el botón de bloqueo del husillo y con las depresiones hexagonales viendo al lado contrario de la rueda, enrosque la brida de bloqueo roscada **4** sobre el husillo de forma que las orejas se conecten con dos ranuras en el husillo.
5. Mientras presiona el botón de bloqueo del husillo, apriete la brida de bloqueo roscada **4** con una llave hexagonal.
6. Para retirar la rueda, presione el botón de bloqueo del husillo y afloje la brida de bloqueo roscada.

Fig. E



Montaje de las almohadillas de respaldo de lijado (Fig. A, F)

NOTA: No es necesario el uso de un protector con discos para lijado que utilizan almohadillas de respaldo, a menudo llamados discos de resina de fibra. Puesto que no se necesita un protector para estos accesorios, el protector puede ajustarse o no correctamente si se utiliza.

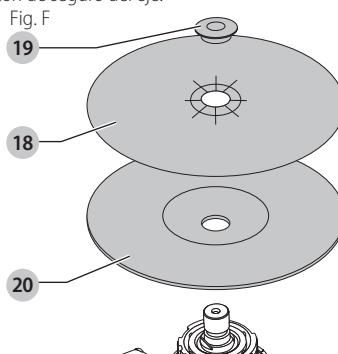
⚠️ ADVERTENCIA: El no fijar adecuadamente la tuerca de fijación y/o la almohadilla podría ocasionar lesiones graves (o daño a la herramienta o el disco).

⚠️ ADVERTENCIA: Debe volver a instalarse un protector adecuado para aplicaciones con disco de esmerilado, disco de corte, disco de lijado con aletas, cepillo de alambre o disco de alambre una vez terminadas las aplicaciones de lijado.

1. Coloque o enrosque adecuadamente la almohadilla de respaldo **20** en el eje.
2. Coloque el disco de lijado **18** en la almohadilla de respaldo **20**.
3. Presionando el botón del seguro del eje **2**, enrosque la tuerca de fijación de lijado **19** en el eje, colocando

el cubo elevado de la tuerca de fijación en el centro del disco de lijado y la almohadilla de respaldo.

4. Apriete a mano la tuerca de fijación. Luego presione el botón del seguro del eje mientras gira el disco de lijado hasta que éste y la tuerca de fijación estén bien ajustados.
5. Para retirar el disco, agarre y gire la almohadilla de respaldo y la almohadilla de lijado mientras presiona el botón de seguro del eje.



Montaje y retiro de los discos con cubo (Fig. A)

Los discos con cubo se instalan directamente en el eje. La rosca del accesorio debe coincidir con la rosca del eje.

1. Saque la brida de respaldo jalándola de la herramienta.
2. Enrosque el disco en el eje **1** a mano.
3. Presione el botón de seguro del eje **2** y utilice una llave para apretar el cubo del disco.
4. Invierta el procedimiento anterior para retirar el disco.

AVISO: El no colocar bien el disco antes de encender la herramienta puede ocasionar daño a ésta o al disco.

Montaje de cepillos de copa de alambre y discos de alambre (Fig. A)

⚠️ ADVERTENCIA: El no fijar adecuadamente el cepillo o el disco podría ocasionar lesiones graves (o daño a la herramienta o el disco).

⚠️ ATENCIÓN: Para reducir el riesgo de lesiones corporales, use guantes de trabajo cuando maneje cepillos y discos de alambre. Pueden estar afilados.

⚠️ ATENCIÓN: Para reducir el riesgo de daño a la herramienta, el disco o el cepillo no deben tocar el protector al montarse o durante su uso. Podría producirse un daño no detectable al accesorio, que ocasiona la fragmentación de alambres del accesorio de disco o cepillo de copa.

Los cepillos de copa de alambre o los discos de alambre se instalan directamente en el eje roscado sin el uso de bridas. Utilice solamente los cepillos o discos de alambre suministrados con un cubo roscado. Estos accesorios pueden obtenerse por un costo adicional en su distribuidor local o centro de servicio autorizado.

ESPAÑOL

1. Coloque la herramienta en una mesa con el protector hacia arriba.
2. Enrosque el disco en el eje a mano.
3. Presione el botón del seguro del eje 2 y utilice una llave en el cubo del disco o cepillo de alambre para ajustar el disco.
4. Para retirar el disco, invierta el procedimiento anterior.

AVISO: Para reducir el riesgo de daño a la herramienta, fije bien el cubo del disco antes de encender la herramienta.

Antes de usar la máquina

- Instale el protector y el disco o muela apropiada. No utilice discos o muelas excesivamente desgastados.
- Compruebe que la brida de bloqueo de respaldo y roscada estén montadas correctamente. Siga las instrucciones indicadas en la **Tabla de accesorios**.
- Compruebe que el disco o la muela giren en dirección de las flechas en el accesorio y la herramienta.
- No utilice un accesorio dañado. Antes de cada uso inspeccione el accesorio, como por ejemplo los discos abrasivos, para verificar si tienen muescas o grietas, la almohadilla de respaldo para verificar si tiene grietas o roturas o si está muy desgastada, el cepillo de alambre para comprobar si tiene alambres sueltos o agrietados. Si la herramienta o el accesorio se caen accidentalmente, revise que no estén dañados o, si es necesario, cambie el accesorio por uno que no esté dañado. Después de inspeccionar e instalar un accesorio, colóquense usted y las personas presentes alejados del plano del accesorio en movimiento y ponga la herramienta eléctrica en funcionamiento a la velocidad sin carga máxima durante un minuto. Si el accesorio está dañado, normalmente se terminará de romper durante este período de prueba.

OPERACIÓN

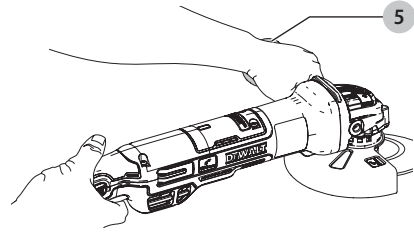
- ⚠ **ADVERTENCIA:** Para reducir el riesgo de lesiones personales graves, apague la herramienta y desconéctela de la fuente de alimentación antes de realizar ajustes o de retirar/instalar dispositivos o accesorios. Un arranque accidental podría causar lesiones.

Posición adecuada de las manos (Fig. G)

- ⚠ **ADVERTENCIA:** Para reducir el riesgo de lesión personal grave, tenga **SIEMPRE** las manos en una posición adecuada como se muestra.
- ⚠ **ADVERTENCIA:** Para reducir el riesgo de lesión personal grave, sujete **SIEMPRE** bien en caso de que haya una reacción repentina.

Para tener una posición adecuada de las manos, ponga una mano en el mango lateral 5 y la otra en el cuerpo de la herramienta, como se muestra en la Fig. G.

Fig. G



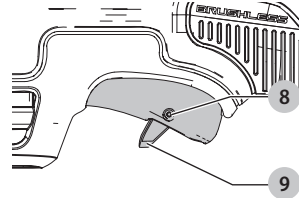
Interruptor de gatillo y palanca de bloqueo en apagado (Fig. H)

- ⚠ **ADVERTENCIA:** Antes de utilizar la herramienta, compruebe que el mango lateral esté bien apretado.
- ⚠ **ATENCIÓN:** Sujete el mango lateral y el cuerpo de la herramienta firmemente para mantener el control de la herramienta durante la puesta en marcha y durante el uso de la misma y hasta que el disco o accesorio deje de rotar. Asegúrese de que el disco se haya parado por completo antes de tumbar la herramienta.

1. Para encender la herramienta, empuje la palanca de bloqueo en apagado 9 hacia la parte trasera de la herramienta, luego apriete el interruptor de gatillo 8. La herramienta funcionará mientras el interruptor esté apretado.
2. Apague la herramienta soltando el interruptor de liberación.

- ⚠ **ADVERTENCIA:** Deje que la herramienta alcance la velocidad máxima antes de ponerla en contacto con la superficie de trabajo. Levante la herramienta de la superficie de trabajo antes de apagarla.

Fig. H



Seguro del eje (Fig. A)

El seguro del eje 2 sirve para evitar que el eje gire al instalar o extraer discos. Utilice el bloqueo del eje sólo cuando la herramienta esté apagada, desenchufada del suministro eléctrico y se haya parado por completo.

AVISO: Para reducir el riesgo de daño a la herramienta, no engrane el bloqueo del eje mientras la herramienta esté en funcionamiento. Se ocasionará daño a la herramienta y el accesorio puesto puede salirse resultando posiblemente en una lesión.

Para engranar el bloqueo, apriete el botón de bloqueo del eje y gire el eje hasta que no pueda hacerlo girar más.

Esmerilado, lijado y cepillado metálico de superficies (Fig. 1)

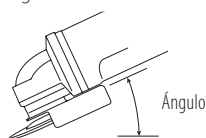
⚠ ATENCIÓN: Utilice siempre un protector correcto según las instrucciones de este manual.

⚠ ADVERTENCIA: Acumulación de polvo metálico. El uso extensivo de discos de aletas en las aplicaciones de metal puede resultar en un mayor potencial de descarga eléctrica. Para reducir el riesgo, introduzca un DCR antes de usarlos y limpie las ranuras de ventilación a diario soplando en ellas aire comprimido seco según las instrucciones de mantenimiento que se indican más abajo.

Para realizar un trabajo en la superficie de una pieza de trabajo:

1. Permita que la herramienta alcance la velocidad máxima antes de ponerla en contacto con la superficie de trabajo.
2. Aplique una presión mínima a la superficie de trabajo, permitiendo a la herramienta operar a alta velocidad. La velocidad de eliminación de material es mayor cuando la herramienta opera a velocidad alta.

Fig. 1



3. Mantenga un ángulo apropiado entre la herramienta y la superficie de trabajo. Consulte la tabla de acuerdo con la función particular.

Función	Ángulo
Esmerilado	20° -30°
Lijado con disco de aletas	5° -10°
Lijado con almohadilla de respaldo	5° -15°
Cepillado metálico	5° -10°

4. Mantenga el contacto entre el borde del disco y la superficie de trabajo.
 - Para operaciones de esmerilado, lijado con discos de aletas o cepillado metálico desplace la herramienta continuamente con un movimiento hacia adelante y hacia atrás para evitar crear surcos en la superficie de trabajo.
 - Si lija con una almohadilla de respaldo, desplace la herramienta constantemente en línea recta para no quemar ni rayar la superficie de trabajo.

NOTA: Permitir que la herramienta se apoye en la superficie de trabajo sin desplazarla dañará la pieza de trabajo.

5. Quite la herramienta de la superficie de trabajo antes de apagarla. Permita que la herramienta deje de girar antes de soltarla.

⚠ ATENCIÓN: Tenga mucho cuidado cuando trabaje sobre un borde, pues puede producirse un movimiento brusco y repentino de la esmeriladora.

Precauciones que deben tomarse al trabajar en una pieza de trabajo pintada

1. NO SE RECOMIENDA el lijado o cepillado metálico de pinturas a base de plomo debido a la dificultad de controlar el polvo contaminado. La intoxicación por plomo es más peligrosa para niños y mujeres embarazadas.
2. Ya que es difícil identificar si una pintura contiene plomo o no, sin antes hacer un análisis químico, recomendamos que se tomen las siguientes precauciones al lijar cualquier pintura:

Seguridad personal

1. Ningún niño o mujer embarazada debería entrar al área de trabajo donde se esté lijando o cepillando con escobilla metálica pintura hasta que se haya terminado de limpiar el área.
2. Todas las personas que entren en el área de trabajo deben usar una mascarilla antipolvo o un respirador. El filtro debería ser reemplazado a diario o cuando el usuario tenga dificultades para respirar.

NOTA: Sólo se deberían utilizar aquellas mascarillas antipolvo adecuadas para trabajar con polvo y gases de pinturas con plomo. Las mascarillas regulares para pintar no ofrecen esta protección. Visite su distribuidor de ferretería local para obtener la máscara N.I.O.S.H. correcta.
3. No se debe COMER, BEBER ni FUMAR en el área de trabajo para evitar ingerir partículas de pintura contaminada. Los trabajadores se deben lavar y limpiar ANTES de comer, beber o fumar. No deben dejarse artículos de comida, bebida o tabaco en el área de trabajo donde se podría depositar polvo sobre ellos.

Seguridad ambiental

1. La pintura debe ser retirada de manera que se reduzca al mínimo la cantidad de polvo generado.
2. Las áreas donde se realiza remoción de pintura deben estar selladas con láminas de plástico de 4 mm de grosor.
3. El lijado debería hacerse de modo que se reduzcan los vestigios de polvo de pintura fuera del área de trabajo.

Limpieza y eliminación de residuos

1. Todas las superficies del área de trabajo deben ser limpiadas en profundidad y repasadas con aspiradora todos los días mientras dure el proyecto de lijado. Las bolsas de filtro de la aspiradora deben cambiarse con frecuencia.
2. Las láminas de protección de plástico deben recogerse y eliminarse junto con el polvo y cualquier otro residuo. Deberán colocarse en un recipiente para desechos sellado y eliminarse de acuerdo con los procedimientos normales de eliminación de la basura. Durante la limpieza, se impedirá a niños y mujeres embarazadas el acceso al área de trabajo.
3. Todos los juguetes, muebles lavables y utensilios usados por niños deberán lavarse a fondo antes de volverlos a usar.

Esmerilado y corte de bordes (Fig. J)

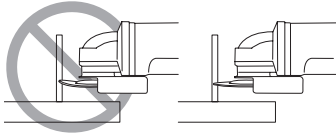
ADVERTENCIA: No use discos de esmerilado/corte de bordes para aplicaciones de esmerilado de superficies porque estos discos no están diseñados para soportar las presiones laterales que se producen con el esmerilado de superficies. Puede producirse una rotura del disco y lesiones.

ATENCIÓN: Los discos utilizados para el esmerilado y corte de bordes pueden romperse o rebotar si se doblan o se tuercen cuando se usa la herramienta. En todas las operaciones de esmerilado/corte de bordes, el lado abierto del protector debe situarse lejos del operador.

AVISO: El esmerilado/corte de bordes con un disco tipo 27 debe limitarse a cortes poco profundos y muescas, de menos de 13 mm de profundidad, cuando el disco es nuevo. Reduzca la profundidad de corte/muesca equivalente a la reducción del radio del disco a medida que se desgaste. Consulte la **Tabla de accesorios** si desea más información. El esmerilado/corte de bordes con un disco tipo 41 requiere el uso de un protector tipo 1.

1. Permita que la herramienta alcance la velocidad máxima antes de ponerla en contacto con la superficie de trabajo.
2. Aplique una presión mínima a la superficie de trabajo, permitiendo a la herramienta operar a alta velocidad. La velocidad de esmerilado/corte es mayor cuando la herramienta opera a velocidad alta.
3. Colóquese de forma que la parte inferior abierta del disco quede en el lado opuesto a usted.
4. Una vez que haya empezado a cortar y haya realizado una ranura en la pieza de trabajo, no cambie el ángulo de corte. Cambiar el ángulo hará que el disco se curve, lo que podría romperlo. Los discos para esmerilado de bordes no están diseñados para soportar las presiones laterales provocadas por el curvado.

Fig. J



5. Retire la herramienta de la superficie de trabajo antes de apagarla. Permita que la herramienta deje de girar antes de soltarla.

MANTENIMIENTO

ADVERTENCIA: Para reducir el riesgo de lesiones personales graves, apague la herramienta y desconéctela de la fuente de alimentación antes de realizar ajustes o de retirar/instalar dispositivos o accesorios. Un arranque accidental podría causar lesiones.

Limpieza

ADVERTENCIA: Sople la suciedad y el polvo de todos los conductos de ventilación con aire seco, al menos una vez por semana. Para reducir el riesgo de lesiones, utilice siempre protección para los ojos aprobada ANSI Z87.1 al realizar esta tarea.

ADVERTENCIA: Nunca utilice solventes ni otros químicos abrasivos para limpiar las piezas no metálicas de la herramienta. Estos productos químicos pueden debilitar los materiales plásticos utilizados en estas piezas. Utilice un paño humedecido sólo con agua y jabón neutro. Nunca permita que penetre líquido dentro de la herramienta ni sumerja ninguna de las piezas en un líquido.

Accesorios

ADVERTENCIA: Debido a que no se han probado con este producto otros accesorios que no sean los que ofrece DeWALT, el uso de dichos accesorios con esta herramienta podría ser peligroso. Para reducir el riesgo de lesiones, con este producto deben usarse sólo los accesorios recomendados por DeWALT.

Los accesorios que se recomiendan para utilizar con la herramienta están disponibles a un costo adicional en su distribuidor local o en un centro de mantenimiento autorizado. Si necesita ayuda para localizar algún accesorio, póngase en contacto con DeWALT Industrial Tool Co., 701 East Joppa Road, Towson, MD 21286, llame al 1-800-4-DeWALT (1-800-433-9258) o visite nuestro sitio web: www.dewalt.com.

Reparaciones

ADVERTENCIA: Para asegurar la SEGURIDAD y la CONFIABILIDAD del producto, las reparaciones, el mantenimiento y los ajustes deben (inclusive inspección y cambio de carbones) ser realizados en un centro de mantenimiento en la fábrica DeWALT u en un centro de mantenimiento autorizado DeWALT. Utilice siempre piezas de repuesto idénticas.

Para reparación y servicio de sus herramientas eléctricas, favor de dirigirse al Centro de Servicio más cercano

CULIACAN, SIN

Blvd. Emiliano Zapata 5400-1 Poniente Col. (667) 717 89 99
San Rafael

GUADALAJARA, JAL

Av. La Paz #1779 - Col. Americana Sector (33) 3825 6978
Juárez

MEXICO, D.F.

Eje Central Lázaro Cárdenas No. 18 - Local (55) 5588 9377
D, Col. Obrera

MERIDA, YUC

Calle 63 #459-A - Col. Centro (999) 928 5038

MONTERREY, N.L.

Av. Francisco I. Madero 831 Poniente - Col. (818) 375 23 13
Centro

PUEBLA, PUE

17 Norte #205 - Col. Centro (222) 246 3714

QUERETARO, QRO

Av. San Roque 274 - Col. San Gregorio (442) 2 17 63 14

SAN LUIS POTOSI, SLP

Av. Universidad 1525 - Col. San Luis (444) 814 2383

TORREON, COAH

Blvd. Independencia, 96 Pte. - Col. Centro (871) 716 5265

VERACRUZ, VER

Prolongación Díaz Mirón #4280 - Col. Remes (229) 921 7016

VILLAHERMOSA, TAB

Constitución 516-A - Col. Centro (993) 312 5111

PARA OTRAS LOCALIDADES:

Si se encuentra en México, por favor llame al (55) 5326 7100

Si se encuentra en U.S., por favor llame al 1-800-433-9258 (1-800 4-DEWALT)

Póliza de Garantía

IDENTIFICACIÓN DEL PRODUCTO:

Sello o firma del Distribuidor.

Nombre del producto: _____

Mod./Cat.: _____

Marca: _____

Núm. de serie: _____

(Datos para ser llenados por el distribuidor)

Fecha de compra y/o entrega del producto:

Nombre y domicilio del distribuidor donde se adquirió el producto:

Este producto está garantizado por un año a partir de la fecha de entrega, contra cualquier defecto en su funcionamiento, así como en materiales y mano de obra empleados para su fabricación. Nuestra garantía incluye la reparación o reposición del producto y/o componentes sin cargo alguno para el cliente, incluyendo mano de obra, así como los gastos de transportación razonablemente erogados derivados del cumplimiento de este certificado.

Para hacer efectiva esta garantía deberá presentar su herramienta y esta póliza sellada por el establecimiento comercial donde se adquirió el producto, de no contar con ésta, bastará la factura de compra.

Excepciones

Esta garantía no será válida en los siguientes casos:

- Cuando el producto se hubiese utilizado en condiciones distintas a las normales;
- Cuando el producto no hubiese sido operado de acuerdo con el instructivo de uso que se acompaña;

- Cuando el producto hubiese sido alterado o reparado por personas distintas a las enlistadas al final de este certificado.

Anexo encontrará una relación de sucursales de servicio de fábrica, centros de servicio autorizados y franquiciados en la República Mexicana, donde podrá hacer efectiva su garantía y adquirir partes, refacciones y accesorios originales.

Registro en línea

Gracias por su compra. Registre su producto ahora para:

- **SERVICIO EN GARANTÍA:** Si completa esta tarjeta, podrá obtener un servicio en garantía más eficiente, en caso de que exista un problema con su producto.
- **CONFIRMATCIÓN DE PROPIEDAD:** En caso de una pérdida que cubra el seguro, como un incendio, una inundación o un robo, el registro de propiedad servirá como comprobante de compra.
- **PARA SU SEGURIDAD:** Si registra el producto, podremos comunicarnos con usted en el caso improbable que se deba enviar una notificación de seguridad conforme a la Federal Consumer Safety Act (Ley Federal de Seguridad de Productos para el Consumidor).

Registro en línea en www.dewalt.com/register.

Garantía limitada por tres años

DeWALT reparará, sin cargo, cualquier falla que surja de defectos en el material o la fabricación del producto, por hasta tres años a contar de la fecha de compra. Esta garantía no cubre fallas de las piezas causadas por su desgaste normal o abuso a la herramienta. Para mayores detalles sobre la cobertura de la garantía e información acerca de reparaciones realizadas bajo garantía, visítenos en www.dewalt.com o diríjase al centro de servicio más cercano. Esta garantía no aplica a accesorios o a daños causados por reparaciones realizadas o intentadas por terceros. **ESTA GARANTÍA LIMITADA SE OTORGA EN VEZ DE TODAS LAS DEMÁS, INCLUIDA LA GARANTÍA IMPLÍCITA DE COMERCIABILIDAD Y APTITUD PARA UN FIN PARTICULAR, Y EXCLUYE TODOS LOS DAÑOS INCIDENTALES O CONSECUENTES.** Algunos estados no permiten limitaciones sobre la duración de una garantía implícita, o la exclusión o limitación de daños incidentales o consecuentes, así que estas limitaciones pueden no aplicarse a usted. Esta garantía le otorga derechos legales específicos, además de los cuales usted puede tener otros derechos dependiendo del estado o la provincia en que se encuentre.

Además de la garantía, las herramientas DeWALT están cubiertas por:

1 AÑO DE SERVICIO GRATUITO

DeWALT mantendrá la herramienta y reemplazará las piezas gastadas por su uso normal, sin cobro, en cualquier momento durante un año a contar de la fecha de compra. Los artículos gastados por la clavadora, tales como la unidad de hoja y retorno del impulsador, no están cubiertas.

ESPAÑOL

GARANTÍA DE REEMBOLSO DE SU DINERO POR 90 DÍAS

Si no está completamente satisfecho con el desempeño de su máquina herramienta, láser o clavadora DeWALT, cualquiera sea el motivo, podrá devolverlo hasta 90 días de la fecha de compra con su recibo y obtener el reembolso completo de su dinero – sin necesidad de responder a ninguna pregunta.

AMÉRICA LATINA: Esta garantía no se aplica a los productos que se venden en América Latina. Para los productos que se venden en América Latina, debe consultar la información de la garantía específica del país que viene en el empaque, llamar a la compañía local o visitar el sitio Web a fin de obtener esa información.

REEMPLAZO GRATUITO DE LAS ETIQUETAS DE

ADVERTENCIAS: Si sus etiquetas de advertencia se vuelven ilegibles o faltan, llame al 1-800-433-9258 (1-800-4-DeWALT) para que se le reemplacen gratuitamente.

ESPECIFICACIONES

DWE43265N

Tensión de alimentación:	120 V c.a. ~
Consumo de corriente:	13 A
Frecuencia de alimentación:	50/60 Hz
Potencia nominal:	1700 W
Rotación sin carga:	9000/min

Solamente para propósito de México:

Importado por: DeWALT Industrial Tool Co. S.A. de C.V.
Avenida Antonio Dovali Jaime, # 70 Torre B Piso 9
Colonia La Fe, Santa Fé
Código Postal : 01210
Delegación Alvaro Obregón
México D.F.
Tel. (52) 555-326-7100
R.F.C.: BDE810626-1W7

Guía LED

La sección proporciona una lista de posibles patrones LED, sus causas y soluciones correctivas. El usuario o personal de mantenimiento pueden realizar algunas acciones correctivas, y otras pueden requerir la asistencia de un técnico DeWALT calificado o su distribuidor.



Protección sin voltaje

Problema

El interruptor está en la posición de encendido y se aplica energía. La unidad permaneció apagada.

Solución

Active el interruptor para volver a arrancar.



Freno de retroceso

Problema

La herramienta detectó un atrapamiento y se activó el freno de retroceso.

Solución

Revise el accesorio respecto a daño por atrapamiento y reemplácelo si es necesario. Ajuste la pieza de trabajo y coloque la herramienta conforme sea necesario y active el interruptor para volver a arrancar.



Protección térmica

Problema

La unidad se apagó para prevenir el daño permanente debido a sobrecalentamiento.

Solución

Asegúrese que las ventilas de admisión y escape no estén bloqueadas por las manos del usuario, ropa o desechos durante el uso. Reduzca la frecuencia de cambio de encendido/apagado de la herramienta y active el interruptor para volver a arrancar y/o desconecte la unidad y después vuelva a conectarla.



Protección de ahogamiento/ sobrecarga

Problema

La unidad ha estado en una condición de ahogamiento por un periodo extendido y se apagó.

Solución

Retire la carga de la herramienta y active el interruptor para volver a arrancar.



Problema de línea de energía

Problema

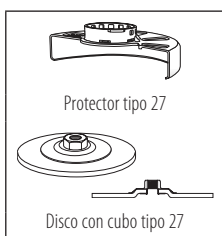
La unidad está operando con una fuente de energía de calidad deficiente como un generador de baja calidad. Esta energía puede dañar la herramienta.

Solución

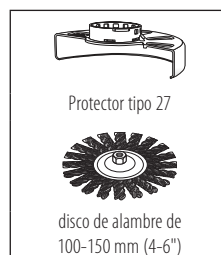
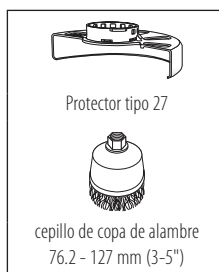
Intente otra fuente de energía, reduzca la longitud del cable de extensión o reduzca el equipo usado al mismo tiempo.

TABLA DE ACCESORIOS

Discos de esmerilado de 125 mm (5") y 150 mm (6")



Discos de alambre



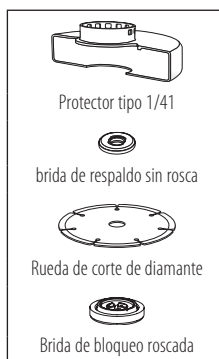
125 mm (5") and 150 mm (6") Sanding Flap Discs



Sanding Discs



125 mm (5") and 150 mm (6") Cutting Wheels



Los protectores tipo 1/41 están diseñados para usarse con discos de corte tipo 1/41 y discos tipo 27 marcados solamente para cortar. Esmerilar con discos que no sean del tipo 27 y del tipo 29 requiere distintos protectores de accesorios. Utilice siempre el protector apropiado más pequeño posible que no esté en contacto con el accesorio.

DeWALT Industrial Tool Co., 701 East Joppa Road, Towson, MD 21286
(SEP17) Part No. N559336 DWE43265N
Copyright © 2017 DeWALT

The following are trademarks for one or more DeWALT power tools: the yellow and black color scheme, the “D” shaped air intake grill, the array of pyramids on the handgrip, the kit box configuration, and the array of lozenge-shaped humps on the surface of the tool.