

# DEWALT®



**Instruction Manual  
Guide D'utilisation  
Manual de instrucciones**

## **DCS575**

**60V Max\* 7-1/4" (184 mm) Cordless Circular Saw**

**Scie circulaire sans fil de 60 V max\* 184 mm (7-1/4 po.)**

**Sierra circular inalámbrica de 60 V Máx\* 184 mm (7-1/4")**

**[www.DEWALT.com](http://www.DEWALT.com)**

**If you have questions or comments, contact us.  
Pour toute question ou tout commentaire, nous contacter.  
Si tiene dudas o comentarios, contáctenos.**

**1-800-4-DEWALT**

---

English (***original instructions***)

1

---

Français (*traduction de la notice d'instructions originale*)

15

---

Español (*traducido de las instrucciones originales*)

31

---

## Definitions: Safety Alert Symbols and Words

This instruction manual uses the following safety alert symbols and words to alert you to hazardous situations and your risk of personal injury or property damage.



**DANGER:** Indicates an imminently hazardous situation which, if not avoided, **will** result in **death or serious injury**.



**WARNING:** Indicates a potentially hazardous situation which, if not avoided, **could** result in **death or serious injury**.



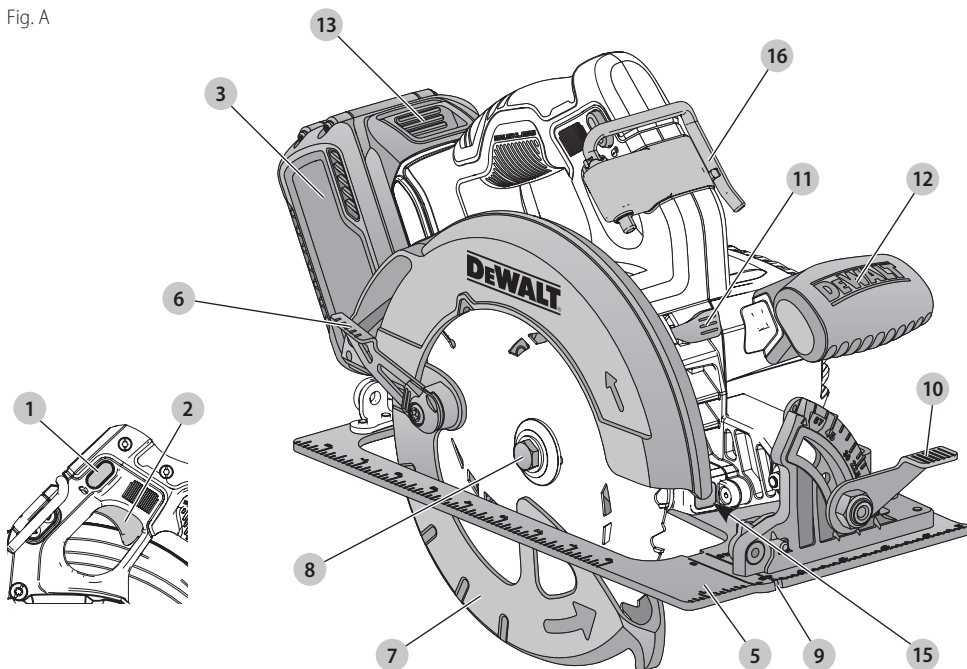
**CAUTION:** Indicates a potentially hazardous situation which, if not avoided, **may** result in **minor or moderate injury**.



(Used without word) Indicates a safety related message.

**NOTICE:** Indicates a practice **not related to personal injury** which, if not avoided, **may** result in **property damage**.

Fig. A



- 1 Trigger switch lock-off button
- 2 Trigger switch
- 3 Battery pack
- 4 Depth adjustment lever (Fig. H)
- 5 Shoe
- 6 Lower blade guard retracting lever
- 7 Lower blade guard
- 8 Blade clamping screw
- 9 Kerf indicator
- 10 Bevel adjustment lever
- 11 Blade lock button
- 12 Auxiliary handle
- 13 Battery release button
- 14 Blade wrench (Fig. H)
- 15 Worklight
- 16 Hang hook



**WARNING!** Read all safety warnings and all instructions. Failure to follow the warnings and instructions may result in electric shock, fire and/or serious injury.



**WARNING:** To reduce the risk of injury, read the instruction manual.

If you have any questions or comments about this or any DeWALT tool, call us toll free at: 1-800-4-DeWALT (1-800-433-9258).

## GENERAL POWER TOOL SAFETY WARNINGS



**WARNING! Read all safety warnings and all instructions.** Failure to follow the warnings and instructions may result in electric shock, fire and/or serious injury.

### SAVE ALL WARNINGS AND INSTRUCTIONS FOR FUTURE REFERENCE

The term "power tool" in the warnings refers to your mains-operated (corded) power tool or battery-operated (cordless) power tool.

#### 1) Work Area Safety

- a) **Keep work area clean and well lit.** Cluttered or dark areas invite accidents.
- b) **Do not operate power tools in explosive atmospheres, such as in the presence of flammable liquids, gases or dust.** Power tools create sparks which may ignite the dust or fumes.
- c) **Keep children and bystanders away while operating a power tool.** Distractions can cause you to lose control.

#### 2) Electrical Safety

- a) **Power tool plugs must match the outlet. Never modify the plug in any way. Do not use any adapter plugs with earthed (grounded) power tools.** Unmodified plugs and matching outlets will reduce risk of electric shock.
- b) **Avoid body contact with earthed or grounded surfaces such as pipes, radiators, ranges and refrigerators.** There is an increased risk of electric shock if your body is earthed or grounded.
- c) **Do not expose power tools to rain or wet conditions.** Water entering a power tool will increase the risk of electric shock.
- d) **Do not abuse the cord. Never use the cord for carrying, pulling or unplugging the power tool. Keep cord away from heat, oil, sharp edges or moving parts.** Damaged or entangled cords increase the risk of electric shock.
- e) **When operating a power tool outdoors, use an extension cord suitable for outdoor use.** Use of a cord suitable for outdoor use reduces the risk of electric shock.
- f) **If operating a power tool in a damp location is unavoidable, use a ground fault circuit interrupter (GFCI) protected supply.** Use of a GFCI reduces the risk of electric shock.

#### 3) Personal Safety

- a) **Stay alert, watch what you are doing and use common sense when operating a power tool. Do not use a power tool while you are tired or under the influence of drugs, alcohol or medication.** A moment of inattention while operating power tools may result in serious personal injury.

- b) **Use personal protective equipment. Always wear eye protection.** Protective equipment such as dust mask, non-skid safety shoes, hard hat, or hearing protection used for appropriate conditions will reduce personal injuries.
- c) **Prevent unintentional starting. Ensure the switch is in the off position before connecting to power source and/or battery pack, picking up or carrying the tool.** Carrying power tools with your finger on the switch or energizing power tools that have the switch on invites accidents.
- d) **Remove any adjusting key or wrench before turning the power tool on.** A wrench or a key left attached to a rotating part of the power tool may result in personal injury.
- e) **Do not overreach. Keep proper footing and balance at all times.** This enables better control of the power tool in unexpected situations.
- f) **Dress properly. Do not wear loose clothing or jewelry. Keep your hair, clothing and gloves away from moving parts.** Loose clothes, jewelry or long hair can be caught in moving parts.
- g) **If devices are provided for the connection of dust extraction and collection facilities, ensure these are connected and properly used.** Use of dust collection can reduce dust-related hazards.

#### 4) Power Tool Use and Care

- a) **Do not force the power tool. Use the correct power tool for your application.** The correct power tool will do the job better and safer at the rate for which it was designed.
- b) **Do not use the power tool if the switch does not turn it on and off.** Any power tool that cannot be controlled with the switch is dangerous and must be repaired.
- c) **Disconnect the plug from the power source and/or the battery pack from the power tool before making any adjustments, changing accessories, or storing power tools.** Such preventive safety measures reduce the risk of starting the power tool accidentally.
- d) **Store idle power tools out of the reach of children and do not allow persons unfamiliar with the power tool or these instructions to operate the power tool.** Power tools are dangerous in the hands of untrained users.
- e) **Maintain power tools. Check for misalignment or binding of moving parts, breakage of parts and any other condition that may affect the power tool's operation. If damaged, have the power tool repaired before use.** Many accidents are caused by poorly maintained power tools.
- f) **Keep cutting tools sharp and clean.** Properly maintained cutting tools with sharp cutting edges are less likely to bind and are easier to control.
- g) **Use the power tool, accessories and tool bits, etc. in accordance with these instructions, taking**

**into account the working conditions and the work to be performed.** Use of the power tool for operations different from those intended could result in a hazardous situation.

## 5) Battery Tool Use and Care

- a) **Recharge only with the charger specified by the manufacturer.** A charger that is suitable for one type of battery pack may create a risk of fire when used with another battery pack.
- b) **Use power tools only with specifically designated battery packs.** Use of any other battery packs may create a risk of injury and fire.
- c) **When battery pack is not in use, keep it away from other metal objects, like paper clips, coins, keys, nails, screws, or other small metal objects, that can make a connection from one terminal to another.** Shorting the battery terminals together may cause burns or a fire.
- d) **Under abusive conditions, liquid may be ejected from the battery; avoid contact. If contact accidentally occurs, flush with water. If liquid contacts eyes, additionally seek medical help.** Liquid ejected from the battery may cause irritation or burns.

## 6) Service

- a) **Have your power tool serviced by a qualified repair person using only identical replacement parts.** This will ensure that the safety of the power tool is maintained.

## Safety Instructions for All Saws

### Cutting Procedures

- a) **▲ DANGER: Keep hands away from cutting area and the blade. Keep your second hand on auxiliary handle, or motor housing.** If both hands are holding the saw, they cannot be cut by the blade.
- b) **Do not reach underneath the workpiece.** The guard cannot protect you from the blade below the workpiece.
- c) **Adjust the cutting depth to the thickness of the workpiece.** Less than a full tooth of the blade teeth should be visible below the workpiece.
- d) **Never hold piece being cut in your hands or across your leg. Secure the workpiece to a stable platform.** It is important to support the work properly to minimize body exposure, blade binding, or loss of control.
- e) **Hold power tool by insulated gripping surfaces when performing an operation where the cutting tool may contact hidden wiring.** Contact with a "live" wire will also make exposed metal parts of the power tool "live" and shock the operator.
- f) **When ripping always use a rip fence or straight edge guide.** This improves the accuracy of cut and reduces the chance of blade binding.
- g) **Always use blades with correct size and shape (diamond versus round) of arbor holes.** Blades

that do not match the mounting hardware of the saw will run eccentrically, causing loss of control.

- h) **Never use damaged or incorrect blade washers or bolt.** The blade washers and bolt were specially designed for your saw, for optimum performance and safety of operation.

## Further Safety Instructions for All Saws

### Causes and Operator Prevention of Kickback:

- Kickback is a sudden reaction to a pinched, bound or misaligned saw blade, causing an uncontrolled saw to lift up and out of the workpiece toward the operator;
- When the blade is pinched or bound tightly by the kerf closing down, the blade stalls and the motor reaction drives the unit rapidly back toward the operator;
- If the blade becomes twisted or misaligned in the cut, the teeth at the back edge of the blade can dig into the top surface of the wood causing the blade to climb out of the kerf and jump back toward the operator.

Kickback is the result of saw misuse and/or incorrect operating procedures or conditions and can be avoided by taking proper precautions as given below:

- a) **Maintain a firm grip with both hands on the saw and position your arms to resist kickback forces. Position your body to either side of the blade, but not in line with the blade.** Kickback could cause the saw to jump backwards, but kickback forces can be controlled by the operator, if proper precautions are taken.
- b) **When blade is binding, or when interrupting a cut for any reason, release the trigger and hold the saw motionless in the material until the blade comes to a complete stop. Never attempt to remove the saw from the work or pull the saw backward while the blade is in motion or kickback may occur.** Investigate and take corrective actions to eliminate the cause of blade binding.
- c) **When restarting a saw in the workpiece, center the saw blade in the kerf and check that saw teeth are not engaged into the material.** If saw blade is binding, it may walk up or kickback from the workpiece as the saw is restarted.
- d) **Support large panels to minimize the risk of blade pinching and kickback. Large panels tend to sag under their own weight.** Supports must be placed under the panel on both sides, near the line of cut and near the edge of the panel.
- e) **Do not use dull or damaged blades.** Unsharpened or improperly set blades produce narrow kerf causing excessive friction, blade binding and kickback.
- f) **Blade depth and bevel adjusting locking levers must be tight and secure before making cut.** If blade adjustment shifts while cutting, it may cause binding and kickback.
- g) **Use extra caution when making a "plunge cut" into existing walls or other blind areas.** The






ENGLISH

protruding blade may cut objects that can cause kickback.

**Lower Guard Function Safety Instructions**

- a) **Check lower guard for proper closing before each use. Do not operate the saw if lower guard does not move freely and close instantly. Never clamp or tie the lower guard into the open position. If saw is accidentally dropped, lower guard may be bent. Raise the lower guard with the retracting handle and make sure it moves freely and does not touch the blade or any other part, in all angles and depths of cut.**
- b) **Check the operation of the lower guard spring. If the guard and the spring are not operating properly, they must be serviced before use.** Lower guard may operate sluggishly due to damaged parts, gummy deposits, or a build-up of debris.
- c) **Lower guard should be retracted manually only for special cuts such as “plunge cuts” and “compound cuts.” Raise lower guard by retracting handle and as soon as blade enters the material, the lower guard must be released.** For all other sawing, the lower guard should operate automatically.
- d) **Always observe that the lower guard is covering the blade before placing saw down on bench or floor. An unprotected, coasting blade will cause the saw to walk backwards, cutting whatever is in its path.** Be aware of the time it takes for the blade to stop after switch is released.

- **Avoid prolonged contact with dust from power sanding, sawing, grinding, drilling, and other construction activities. Wear protective clothing and wash exposed areas with soap and water.** Allowing dust to get into your mouth, eyes, or lay on the skin may promote absorption of harmful chemicals.

-  **WARNING:** Use of this tool can generate and/or disperse dust, which may cause serious and permanent respiratory or other injury. Always use NIOSH/OSHA approved respiratory protection appropriate for the dust exposure. Direct particles away from face and body.
-  **WARNING:** Always wear proper personal hearing protection that conforms to ANSI S12.6 (S3.19) during use. Under some conditions and duration of use, noise from this product may contribute to hearing loss.
-  **CAUTION:** When not in use, place tool on its side on a stable surface where it will not cause a tripping or falling hazard. Some tools with large battery packs will stand upright on the battery pack but may be easily knocked over.
-  **WARNING:** Do not use abrasive wheels or blades.
-  **WARNING:** Do not use water feed attachments.

- Use clamps or another practical way to secure and support the workpiece to a stable platform. Holding the work by hand or against your body leaves it unstable and may lead to loss of control.
- **Keep your body positioned to either side of the blade, but not in line with the saw blade.** KICKBACK could cause the saw to jump backwards (see **Causes and Operator Prevention of Kickback and KICKBACK**).
- **Air vents often cover moving parts and should be avoided.** Loose clothes, jewelry or long hair can be caught in moving parts.
- **Avoid cutting nails.** Inspect for and remove all nails from lumber before cutting.


The label on your tool may include the following symbols. The symbols and their definitions are as follows:

V .....	volts	A .....	amperes
Hz .....	hertz	W .....	watts
min .....	minutes	~ or AC.....	alternating current
— or DC.....	direct current	⎓ or AC/DC.....	alternating or direct current
Ⓛ.....	Class I Construction (grounded)	Ⓜ.....	Class II Construction (double insulated)
.../min.....	per minute	n <sub>0</sub> .....	no load speed
BPM.....	beats per minute	n .....	rated speed
IPM.....	impacts per minute	Ⓧ.....	earthing terminal
RPM.....	revolutions per minute	⚠.....	safety alert symbol
sfpm .....	surface feet per minute	⚠.....	visible radiation
SPM .....	strokes per minute		

**Additional Safety Information**





 **WARNING:** ALWAYS use safety glasses. Everyday eyeglasses are NOT safety glasses. Also use face or dust mask if cutting operation is dusty. ALWAYS WEAR CERTIFIED SAFETY EQUIPMENT:

- ANSI Z87.1 eye protection (CAN/CSA Z94.3),
- ANSI S12.6 (S3.19) hearing protection,
- NIOSH/OSHA/MSHA respiratory protection.

 **WARNING:** Some dust created by power sanding, sawing, grinding, drilling, and other construction activities contains chemicals known to the State of California to cause cancer, birth defects or other reproductive harm. Some examples of these chemicals are:

- lead from lead-based paints,
- crystalline silica from bricks and cement and other masonry products, and
- arsenic and chromium from chemically-treated lumber.

Your risk from these exposures varies, depending on how often you do this type of work. To reduce your exposure to these chemicals: work in a well ventilated area, and work with approved safety equipment, such as those dust masks that are specially designed to filter out microscopic particles.


-  ..... wear respiratory protection
-  ..... wear hearing protection
-  ..... wear eye protection
-  ..... read all documentation

## BATTERIES AND CHARGERS

The battery pack is not fully charged out of the carton. Before using the battery pack and charger, read the safety instructions below and then follow charging procedures outlined. When ordering replacement battery packs, be sure to include the catalog number and voltage. Your tool uses a DeWALT charger. Be sure to read all safety instructions before using your charger. Consult the chart at the end of this manual for compatibility of chargers and battery packs.

### READ ALL INSTRUCTIONS

## Important Safety Instructions for All Battery Packs

 **WARNING:** Read all safety warnings and all instructions for the battery pack, charger and power tool. Failure to follow the warnings and instructions may result in electric shock, fire and/or serious injury.

- **Do not charge or use the battery pack in explosive atmospheres, such as in the presence of flammable liquids, gases or dust.** Inserting or removing the battery pack from the charger may ignite the dust or fumes.
  - **NEVER force the battery pack into the charger. DO NOT modify the battery pack in any way to fit into a non-compatible charger as battery pack may rupture causing serious personal injury.** Consult the chart at the end of this manual for compatibility of batteries and chargers.
  - Charge the battery packs only in designated DeWALT chargers.
  - **DO NOT splash or immerse in water or other liquids.**
  - **Do not store or use the tool and battery pack in locations where the temperature may reach or exceed 104 °F (40 °C) (such as outside sheds or metal buildings in summer).** For best life store battery packs in a cool, dry location.
- NOTE:** Do not store the battery packs in a tool with the trigger switch locked on. Never tape the trigger switch in the ON position.
- **Do not incinerate the battery pack even if it is severely damaged or is completely worn out.** The battery pack can explode in a fire. Toxic fumes and materials are created when lithium ion battery packs are burned.

- **If battery contents come into contact with the skin, immediately wash area with mild soap and water.** If battery liquid gets into the eye, rinse water over the open eye for 15 minutes or until irritation ceases. If medical attention is needed, the battery electrolyte is composed of a mixture of liquid organic carbonates and lithium salts.

- **Contents of opened battery cells may cause respiratory irritation.** Provide fresh air. If symptoms persist, seek medical attention.



**WARNING:** Burn hazard. Battery liquid may be flammable if exposed to spark or flame.



**WARNING:** Fire hazard. Never attempt to open the battery pack for any reason. If the battery pack case is cracked or damaged, do not insert into the charger. Do not crush, drop or damage the battery pack. Do not use a battery pack or charger that has received a sharp blow, been dropped, run over or damaged in any way (e.g., pierced with a nail, hit with a hammer, stepped on). Damaged battery packs should be returned to the service center for recycling.

### Transportation



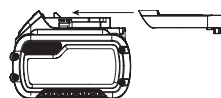
**WARNING:** Fire hazard. Do not store or carry the battery pack so that metal objects can contact exposed battery terminals. For example, do not place the battery pack in aprons, pockets, tool boxes, product kit boxes, drawers, etc., with loose nails, screws, keys, etc. **Transporting batteries can possibly cause fires if the battery terminals inadvertently come in contact with conductive materials such as keys, coins, hand tools and the like.** The US Department of Transportation Hazardous Material Regulations (HMR) actually prohibit transporting batteries in commerce or on airplanes in carry-on baggage UNLESS they are properly protected from short circuits. So when transporting individual battery packs, make sure that the battery terminals are protected and well insulated from materials that could contact them and cause a short circuit.

### Shipping the DeWALT FLEXVOLT™ Battery

The DeWALT FLEXVOLT™ battery has two modes: **Use** and **Shipping**.

**Use Mode:** When the FLEXVOLT™ battery stands alone or is in a DeWALT 20V Max\* product, it will operate as a 20V Max\* battery. When the FLEXVOLT™ battery is in a 60V Max\* or a 120V Max\* (two 60V Max\* batteries) product, it will operate as a 60V Max\* battery.

**Shipping Mode:** When the cap is attached to the FLEXVOLT™ battery, the battery is in Shipping Mode.



Strings of cells are electrically disconnected within the pack resulting in three batteries with a lower Watt hour (Wh) rating as compared to one battery with a higher Watt hour rating. This increased quantity of three batteries with the lower Watt hour rating can exempt the pack from certain shipping regulations that are imposed upon the higher Watt hour batteries.

The battery label indicates two Watt hour ratings (see example). Depending on how the battery is shipped, the appropriate Watt hour rating must be used to determine the applicable shipping requirements. If utilizing the shipping cap, the pack will be considered 3 batteries at the Watt hour rating indicated for "Shipping". If shipping

## ENGLISH

without the cap or in a tool, the pack will be considered one battery at the Watt hour rating indicated next to "Use".

Example of Use and Shipping Label Marking

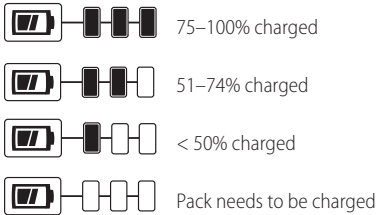
**USE: 120 Wh Shipping: 3 x 40 Wh**

For example, Shipping Wh rating might indicate 3 x 40 Wh, meaning 3 batteries of 40 Watt hours each. The Use Wh rating might indicate 120 Wh (1 battery implied).

### Fuel Gauge Battery Packs (Fig. B)

Some DeWALT battery packs include a fuel gauge which consists of three green LED lights that indicate the level of charge remaining in the battery pack.

The fuel gauge is an indication of approximate levels of charge remaining in the battery pack according to the following indicators:



To actuate the fuel gauge, press and hold the fuel gauge button. A combination of the three green LED lights will illuminate designating the level of charge left. When the level of charge in the battery is below the usable limit, the fuel gauge will not illuminate and the battery will need to be recharged.

Fig. B



**NOTE:** The fuel gauge is only an indication of the charge left on the battery pack. It does not indicate tool functionality and is subject to variation based on product components, temperature and end-user application.

For more information regarding fuel gauge battery packs, please contact call 1-800-4-DeWALT (1-800-433-9258) or visit our website [www.dewalt.com](http://www.dewalt.com).

### The RBRC® Seal

The RBRC® (Rechargeable Battery Recycling Corporation) Seal on the nickel cadmium, nickel metal hydride or lithium-ion batteries (or battery packs) indicates that the costs to recycle these batteries (or battery packs) at the end of their useful life have already been paid by DeWALT. In some areas, it is illegal to place spent nickel cadmium, nickel metal hydride or lithium-ion batteries in the trash or municipal solid waste stream and the Call 2 Recycle® program provides an environmentally conscious alternative.

Call 2 Recycle, Inc., in cooperation with DeWALT and other battery users, has established the program in the United States and Canada to facilitate the collection of spent nickel cadmium, nickel metal hydride or lithium-ion batteries. Help



protect our environment and conserve natural resources by returning the spent nickel cadmium, nickel metal hydride or lithium-ion batteries to an authorized DeWALT service center or to your local retailer for recycling. You may also contact your local recycling center for information on where to drop off the spent battery. RBRC® is a registered trademark of Call 2 Recycle, Inc.

### Important Safety Instructions for All Battery Chargers

**⚠ WARNING: Read all safety warnings and all instructions for the battery pack, charger and power tool. Failure to follow the warnings and instructions may result in electric shock, fire and/or serious injury.**

- **DO NOT attempt to charge the battery pack with any chargers other than the ones in this manual.** The charger and battery pack are specifically designed to work together.
- **These chargers are not intended for any uses other than charging DeWALT rechargeable batteries.** Any other uses may result in risk of fire, electric shock or electrocution.
- **Do not expose the charger to rain or snow.**
- **Pull by the plug rather than the cord when disconnecting the charger.** This will reduce the risk of damage to the electric plug and cord.
- **Make sure that the cord is located so that it will not be stepped on, tripped over or otherwise subjected to damage or stress.**
- **Do not use an extension cord unless it is absolutely necessary.** Use of improper extension cord could result in risk of fire, electric shock or electrocution.
- **When operating a charger outdoors, always provide a dry location and use an extension cord suitable for outdoor use.** Use of a cord suitable for outdoor use reduces the risk of electric shock.
- **An extension cord must have adequate wire size (AWG or American Wire Gauge) for safety.** The smaller the gauge number of the wire, the greater the capacity of the cable, that is, 16 gauge has more capacity than 18 gauge. An undersized cord will cause a drop in line voltage resulting in loss of power and overheating. When using more than one extension to make up the total length, be sure each individual extension contains at least the minimum wire size. The following table shows the correct size to use depending on cord length and nameplate ampere rating. If in doubt, use the next heavier gauge. The lower the gauge number, the heavier the cord.



**Minimum Gauge for Cord Sets**

Volts		Total Length of Cord in Feet (meters)			
120 V		25 (7.6)	50 (15.2)	100 (30.5)	150 (45.7)
240 V		50 (15.2)	100 (30.5)	200 (61.0)	300 (91.4)
Ampere Rating More Than	Not More Than	American Wire Gauge			
		0	6	18	16
6	10	18	16	14	12
10	12	16	16	14	12
12	16	14	12	Not Recommended	

- **Do not place any object on top of the charger or place the charger on a soft surface that might block the ventilation slots and result in excessive internal heat.** Place the charger in a position away from any heat source. The charger is ventilated through slots in the top and the bottom of the housing.
- **Do not operate the charger with a damaged cord or plug.**
- **Do not operate the charger if it has received a sharp blow, been dropped or otherwise damaged in any way.** Take it to an authorized service center.
- **Do not disassemble the charger; take it to an authorized service center when service or repair is required.** Incorrect reassembly may result in a risk of electric shock, electrocution or fire.
- **Disconnect the charger from the outlet before attempting any cleaning. This will reduce the risk of electric shock.** Removing the battery pack will not reduce this risk.
- **NEVER** attempt to connect 2 chargers together.
- **The charger is designed to operate on standard 120V household electrical power. Do not attempt to use it on any other voltage.** This does not apply to the vehicular charger.

**⚠ WARNING:** Shock hazard. Do not allow any liquid to get inside the charger. Electric shock may result.

**⚠ WARNING:** Burn hazard. Do not submerge the battery pack in any liquid or allow any liquid to enter the battery pack. Never attempt to open the battery pack for any reason. If the plastic housing of the battery pack breaks or cracks, return to a service center for recycling.

**⚠ CAUTION:** Burn hazard. To reduce the risk of injury, charge only DeWALT rechargeable battery packs. Other types of batteries may overheat and burst resulting in personal injury and property damage.

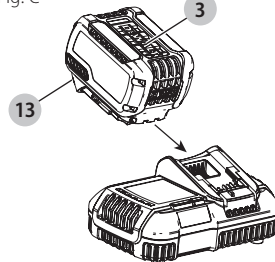
**NOTICE:** Under certain conditions, with the charger plugged into the power supply, the charger can be shorted by foreign material. Foreign materials of a conductive nature, such as, but not limited to, grinding dust, metal chips, steel wool, aluminum foil or any buildup of metallic particles should be kept away from the charger cavities. Always unplug the charger from the power supply when there is no

battery pack in the cavity. Unplug the charger before attempting to clean.

**Charging a Battery (Fig. C)**

1. Plug the charger into an appropriate outlet before inserting battery pack.

Fig. C



2. Insert the battery pack **3** into the charger, making sure the battery pack is fully seated in the charger. The red (charging) light will blink continuously indicating that the charging process has started.
3. The completion of charge will be indicated by the red light remaining ON continuously. The battery pack is fully charged and may be used at this time or left in the charger. To remove the battery pack from the charger, push the battery release button **13** on the battery pack.

**NOTE:** To ensure maximum performance and life of lithium-ion battery packs, charge the battery pack fully before first use.

**Charger Operation**

Refer to the indicators below for the charge status of the battery pack.

DCB101		
	Charging	--- ---
	Fully Charged	—————
	Hot/Cold Pack Delay	---●---●---●
	Problem Pack or Charger	●●●●●●●●

DCB107, DCB112, DCB113, DCB115, DCB118, DCB132		
	Charging	--- ---
	Fully Charged	—————
	Hot/Cold Pack Delay*	--- ---

**\*DCB107, DCB112, DCB113, DCB115, DCB118, DCB132:** The red light will continue to blink, but a yellow indicator light will be illuminated during this operation. Once the battery pack has reached an appropriate temperature, the yellow light will turn off and the charger will resume the charging procedure.

The compatible charger(s) will not charge a faulty battery pack. The charger will indicate faulty battery pack by refusing to light or by displaying a problem pack or charger blink pattern.

## ENGLISH

**NOTE:** This could also mean a problem with a charger. If the charger indicates a problem, take the charger and battery pack to be tested at an authorized service center.

### Hot/Cold Pack Delay

When the charger detects a battery pack that is too hot or too cold, it automatically starts a Hot/Cold Pack Delay, suspending charging until the battery pack has reached an appropriate temperature. The charger then automatically switches to the pack charging mode. This feature ensures maximum battery pack life.

A cold battery pack will charge at a slower rate than a warm battery pack. The battery pack will charge at that slower rate throughout the entire charging cycle and will not return to maximum charge rate even if the battery pack warms.

The DCB118 charger is equipped with an internal fan designed to cool the battery pack. The fan will turn on automatically when the battery pack needs to be cooled.

Never operate the charger if the fan does not operate properly or if ventilation slots are blocked. Do not permit foreign objects to enter the interior of the charger.

### Electronic Protection System

Li-Ion tools are designed with an Electronic Protection System that will protect the battery pack against overloading, overheating or deep discharge.

The tool will automatically turn off if the Electronic Protection System engages. If this occurs, place the lithium-ion battery pack on the charger until it is fully charged.

### Wall Mounting

#### DCB107, DCB112, DCB113, DCB115, DCB118, DCB132

These chargers are designed to be wall mountable or to sit upright on a table or work surface. If wall mounting, locate the charger within reach of an electrical outlet, and away from a corner or other obstructions which may impede air flow. Use the back of the charger as a template for the location of the mounting screws on the wall. Mount the charger securely using drywall screws (purchased separately) at least 1" (25.4 mm) long, with a screw head diameter of 0.28–0.35" (7–9 mm), screwed into wood to an optimal depth leaving approximately 7/32" (5.5 mm) of the screw exposed. Align the slots on the back of the charger with the exposed screws and fully engage them in the slots.

### Charger Cleaning Instructions



**WARNING:** Shock hazard. Disconnect the charger from the AC outlet before cleaning. Dirt and grease may be removed from the exterior of the charger using a cloth or soft non-metallic brush. Do not use water or any cleaning solutions.

### Important Charging Notes

1. Longest life and best performance can be obtained if the battery pack is charged when the air temperature is between 65 °F and 75 °F (18 ° – 24 °C). DO NOT charge the battery pack in an air temperature below +40 °F (+4.5 °C), or above +104 °F (+40 °C). This is important and will prevent serious damage to the battery pack.

2. The charger and battery pack may become warm to the touch while charging. This is a normal condition, and does not indicate a problem. To facilitate the cooling of the battery pack after use, avoid placing the charger or battery pack in a warm environment such as in a metal shed or an uninsulated trailer.
3. If the battery pack does not charge properly:
  - a. Check operation of receptacle by plugging in a lamp or other appliance;
  - b. Check to see if receptacle is connected to a light switch which turns power off when you turn out the lights;
  - c. Move the charger and battery pack to a location where the surrounding air temperature is approximately 65 °F – 75 °F (18 ° – 24 °C);
  - d. If charging problems persist, take the tool, battery pack and charger to your local service center.
4. The battery pack should be recharged when it fails to produce sufficient power on jobs which were easily done previously. DO NOT CONTINUE to use under these conditions. Follow the charging procedure. You may also charge a partially used pack whenever you desire with no adverse effect on the battery pack.
5. Foreign materials of a conductive nature such as, but not limited to, grinding dust, metal chips, steel wool, aluminum foil, or any buildup of metallic particles should be kept away from charger cavities. Always unplug the charger from the power supply when there is no battery pack in the cavity. Unplug the charger before attempting to clean.
6. Do not freeze or immerse the charger in water or any other liquid.

### Storage Recommendations

1. The best storage place is one that is cool and dry, away from direct sunlight and excess heat or cold.
2. For long storage, it is recommended to store a fully charged battery pack in a cool dry place out of the charger for optimal results.

**NOTE:** Battery packs should not be stored completely depleted of charge. The battery pack will need to be recharged before use.

### SAVE THESE INSTRUCTIONS FOR FUTURE USE

### COMPONENTS (FIG. A)



**WARNING:** Never modify the power tool or any part of it. Damage or personal injury could result.

Refer to Figure A at the beginning of this manual for a complete list of components.

### INTENDED USE

This heavy-duty circular saw is designed for professional wood cutting applications. Do not cut metal, plastic, concrete, masonry or fiber cement materials.

**DO NOT** use under wet conditions or in presence of flammable liquids or gases.

**DO NOT** let children come into contact with the tool. Supervision is required when inexperienced operators use this tool.

## OPERATION

**⚠ WARNING:** To reduce the risk of serious personal injury, turn unit off and remove the battery pack before making any adjustments or removing/installing attachments or accessories. An accidental start-up can cause injury.

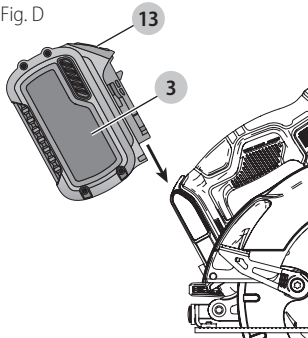
## Installing and Removing the Battery Pack (Fig. D)

**NOTE:** For best results, make sure your battery pack is fully charged.

To install the battery pack **3** into the tool handle, align the battery pack with the rails inside the tool's handle and slide it into the handle until the battery pack is firmly seated in the tool and ensure that it does not disengage.

To remove the battery pack from the tool, press the release button **13** and firmly pull the battery pack out of the tool handle. Insert it into the charger as described in the charger section of this manual.

Fig. D



## Worklight (Fig. A)

**⚠ CAUTION:** Do not stare into worklight. Serious eye injury could result.

There is a worklight **15** located just below the blade lock button **11**. The worklight is activated when the trigger switch is depressed, and will automatically turn off 20 seconds after the trigger switch is released. If the trigger switch remains depressed, the worklight will remain on.

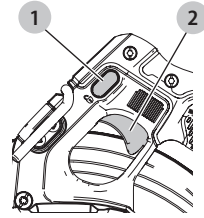
**NOTE:** The worklight is for lighting the immediate work surface and is not intended to be used as a flashlight.

## Trigger Switch (Fig. E)

**⚠ WARNING:** This tool has no provision to lock the trigger switch in the ON position and should never be locked ON by any other means.

Release the trigger switch lock-off button **1** by pressing the button as shown. Pull the trigger switch **2** to turn the motor on. Releasing the trigger switch turns the motor off.

Fig. E



## Changing Blades (Fig. F, G, H)

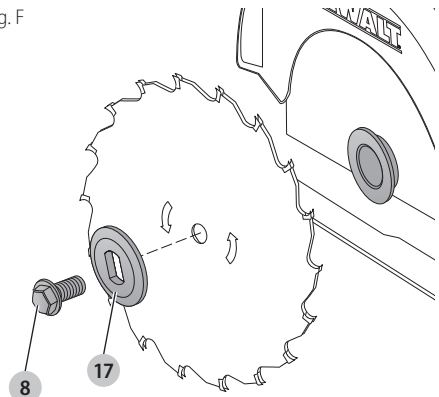
**⚠ WARNING:** Remove battery from tool before changing blades.

### To install the Blade (Fig. F, G, H)

1. Retract the lower blade guard **7** using the lower blade retracting lever **6** and place the blade on the saw spindle against the inner clamp washer, making sure that the blade will rotate in the proper direction (the direction of the rotation arrow on the saw blade and the teeth must point in the same direction as the direction of rotation arrow on the lower blade guard). Do not assume that the printing on the blade will always be facing you when properly installed. When retracting the lower blade guard to install the blade, check the condition and operation of the lower blade guard to assure that it is working properly. Make sure it moves freely and does not touch the blade or any other part, in all angles and depths of cut.
2. Place outer clamp washer **16** on saw spindle with the large flat surface against the blade with beveled side facing out.
3. Thread blade clamping screw **8** into saw spindle by hand (screw has right-hand threads and must be turned clockwise to tighten).
4. Depress the blade lock button **11** while turning the saw spindle with the blade wrench **14** until the blade lock engages and the blade stops rotating (Fig. G).
5. Tighten the blade clamping screw firmly with the blade wrench.

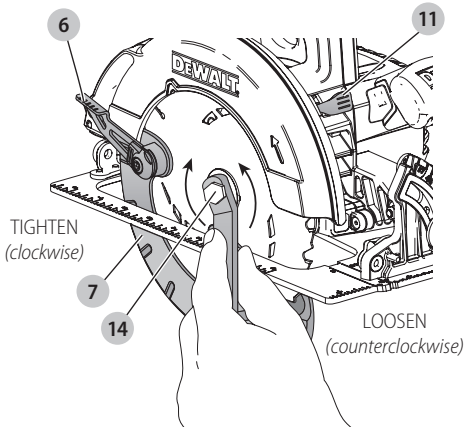
**NOTE:** Never engage the blade lock while saw is running, or engage in an effort to stop the tool. Never turn the saw on while the blade lock is engaged. Serious damage to your saw will result.

Fig. F



## ENGLISH

Fig. G



### To Replace the Blade (Fig. F, G)

1. To loosen the blade clamping screw **8**, depress the blade lock button **11** and turn the saw spindle with the blade wrench **14** until the blade lock engages and the blade stops rotating. With the blade lock engaged, turn the blade clamping screw counterclockwise with the blade wrench (screw has right-hand threads and must be turned counterclockwise to loosen).
2. Remove the blade clamping screw **8** and outer clamp washer **17** only. Remove old blade.
3. Clean any sawdust that may have accumulated in the guard or clamp washer area and check the condition and operation of the lower blade guard as previously outlined. Do not lubricate this area.
4. Select the proper blade for the application (see **Blades**). Always use blades that are the correct size (diameter) with the proper size and shape center hole for mounting on the saw spindle. Always assure that the maximum recommended speed (rpm) on the saw blade meets or exceeds the speed (rpm) of the saw.
5. Follow steps 2 through 5 under **To Install the Blade**, making sure that the blade will rotate in the proper direction.

### Lower Blade Guard



**WARNING:** The lower blade guard is a safety feature which reduces the risk of serious personal injury. Never use the saw if the lower blade guard is missing, damaged, misassembled or not working properly. Do not rely on the lower blade guard to protect you under all circumstances. Your safety depends on following all warnings and precautions as well as proper operation of the saw. Check lower blade guard for proper closing before each use as outlined in Further Safety Instructions for All Saws. If the lower blade guard is missing or not working properly, have the saw serviced before using. To assure product safety and reliability, repair, maintenance and adjustment should be performed by an authorized service center

or other qualified service organization, always using identical replacement parts.

### Blades



**WARNING:** To minimize the risk of eye injury, always use eye protection. Carbide is a hard but brittle material. Foreign objects in the workpiece such as wire or nails can cause tips to crack or break. Only operate saw when proper saw blade guard is in place. Mount blade securely in proper rotation before using, and always use a clean, sharp blade.



**WARNING:** Do not cut metal, plastic, concrete, masonry or fiber cement materials with this saw.

Do not use abrasive wheels or blades. A dull blade will cause slow inefficient cutting, overload on the saw motor, excessive splintering, and could increase the possibility of kickback. Please refer to the table below to determine the correct size replacement blade for your model saw.

#### RECOMMENDED BLADE TYPES

Combination Framing	5/8" Round arbor, 24 teeth All purpose fast rip and cross cuts.
Pressure Treated/Wet Lumber	5/8" Round arbor, 20 teeth Coated, resistant to gum build-up
Extreme Durability	5/8" Round arbor, 18 teeth Coated, rock carbide
Finishing	5/8" Round arbor, 36 teeth More teeth for finer finish cuts.
Fast Cut Framing	5/8" round arbor, 18 teeth Fastest blade for rips and cross cuts

If you need assistance regarding blades, please call 1-800-4-DeWALT (1-800-433-9258).

### Kickback

Kickback is a sudden reaction to a pinched, bound or misaligned saw blade, causing an uncontrolled saw to lift up and out of the workpiece toward the operator. When the blade is pinched or bound tightly by the kerf closing down, the blade stalls and the motor reaction drives the unit rapidly back toward the operator. If the blade becomes twisted or misaligned in the cut, the teeth at the back edge of the blade can dig into the top surface of the wood causing the blade to climb out of the kerf and jump back toward the operator.

Kickback is more likely to occur when any of the following conditions exists.

#### 1. IMPROPER WORKPIECE SUPPORT

- a. Sagging or improper lifting of the cut off piece can cause pinching of the blade and lead to kickback.
- b. Cutting through material supported at the outer ends only can cause kickback. As the material weakens it sags, closing down the kerf and pinching the blade (Fig. O).

- c. Cutting off a cantilevered or overhanging piece of material from the bottom up in a vertical direction can cause kickback. The falling cut off piece can pinch the blade.
- d. Cutting off long narrow strips (as in ripping) can cause kickback. The cut off strip can sag or twist closing the kerf and pinching the blade.
- e. Snagging the lower guard on a surface below the material being cut momentarily reduces operator control. The saw can lift partially out of the cut increasing the chance of blade twist.

#### 2. IMPROPER DEPTH OF CUT SETTING ON SAW

- a. To make the most efficient cut, the blade should protrude only far enough to expose one-half of a tooth as shown in Figure I. This allows the shoe to support the blade and minimizes twisting and pinching in the material. See the section titled **Cutting Depth Adjustment**.

#### 3. BLADE TWISTING (MISALIGNMENT IN CUT)

- a. Pushing harder to cut through a knot, a nail or a hard grain area can cause the blade to twist.
- b. Trying to turn the saw in the cut (trying to get back on the marked line) can cause blade twist.
- c. Overreaching or operating the saw with poor body control (out of balance), can result in twisting the blade.
- d. Changing hand grip or body position while cutting can result in blade twist.
- e. Backing up the saw to clear blade can lead to twist.

#### 4. MATERIALS THAT REQUIRE EXTRA ATTENTION

- a. Wet lumber
- b. Green lumber (material freshly cut or not kiln dried)
- c. Pressure treated lumber (material treated with preservatives or anti-rot chemicals)

#### 5. USE OF DULL OR DIRTY BLADES

- a. Dull blades cause increased loading of the saw. To compensate, an operator will usually push harder which further loads the unit and promotes twisting of the blade in the kerf. Worn blades may also have insufficient body clearance which increases the chance of binding and increased loading.

#### 6. LIFTING THE SAW WHEN MAKING A BEVEL CUT

- a. Bevel cuts require special operator attention to proper cutting techniques – especially guidance of the saw. Both blade angle to the shoe and greater blade surface in the material increase the chance for binding and misalignment (twist) to occur.

#### 7. RESTARTING A CUT WITH THE BLADE TEETH JAMMED AGAINST THE MATERIAL

- a. The saw should be brought up to full operating speed before starting a cut or restarting a cut after the unit has been stopped with the blade in the kerf. Failure to do so can cause stalling and kickback.

Any other conditions which could result in pinching, binding, twisting, or misalignment of the blade could cause kickback. Refer to the sections **Further Safety Instructions**

**for All Saws and Blades** for procedures and techniques that will minimize the occurrence of kickback.

### Cutting Depth Adjustment (Fig. A, H, I)

1. Hold the saw firmly and loosen (clockwise) the depth adjustment lever **4** and move shoe **(5, Fig. A)** to obtain the desired depth of cut.
2. Make sure the depth adjustment lever has been retightened (counterclockwise) before operating saw.

For the most efficient cutting action, set the depth adjustment so that one-half tooth of the blade will project below the material to be cut. This distance is from the tip of the tooth to the bottom of the gullet in front of it. This keeps blade friction at a minimum, removes sawdust from the cut, results in cooler, faster sawing and reduces the chance of kickback. A method for checking for correct cutting depth is shown in Figure I. Lay a piece of the material you plan to cut along the side of the blade, as shown, and observe how much tooth projects beyond the material.

Fig. H

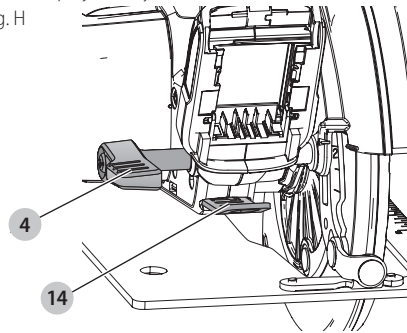
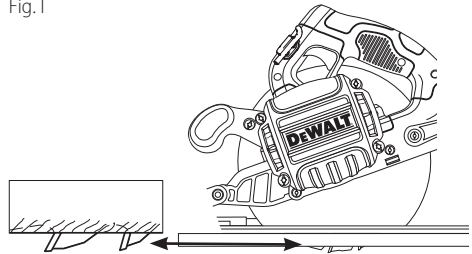


Fig. I



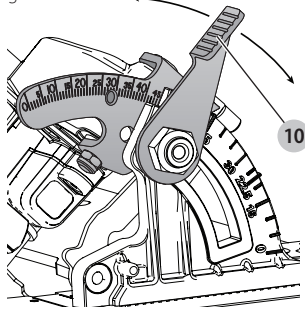
### Bevel Angle Adjustment (Fig. A, J)

The full range of the bevel adjustment is from 0° to 57°. The quadrant is graduated in increments of 1°. On the front of the saw is a bevel angle adjustment mechanism consisting of a calibrated quadrant and a bevel adjustment lever **10**.

#### To set the saw for a bevel cut

1. Loosen (counterclockwise) the bevel adjustment lever **10** and tilt shoe **(5, Fig. A)** to the desired angle by aligning the pointer with the desired angle mark.
2. Retighten lever firmly (clockwise).

Fig. J

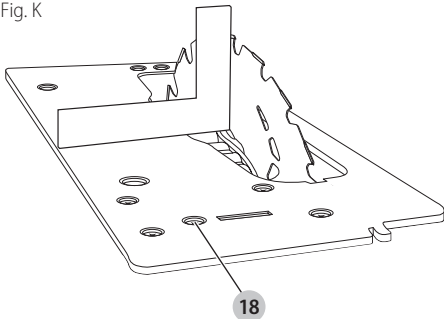


### Shoe Adjustment for 90° Cuts (Fig. J, K)

#### If additional adjustment is needed:

1. Adjust the saw to 0° bevel.
2. Retract the lower blade guard. Place the saw on blade side.
3. Loosen bevel adjustment lever (10, Fig. J). Place a square against the blade and shoe to adjust the 90° setting.
4. Turn the calibration screw (18) so that the shoe will stop at the proper angle.
5. Confirm the accuracy of the setting by checking the squareness of an actual cut on a scrap piece of material.

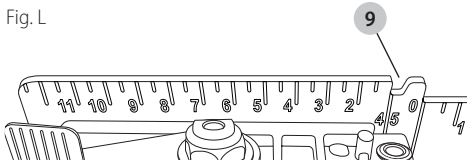
Fig. K



### Kerf Indicator (Fig. L)

The front of the saw shoe has a kerf indicator (9) for vertical and bevel cutting. This indicator enables you to guide the saw along cutting lines penciled on the material being cut. The kerf indicator lines up with the left (inner) side of the saw blade, which makes the slot or "kerf" cut by the moving blade fall to the right of the indicator. Guide along the penciled cutting line so that the kerf falls into the waste or surplus material.

Fig. L



### Workpiece Support (Fig. M–O)

**⚠ WARNING:** It is important to support the work properly and to hold the saw firmly to prevent loss of control which could cause personal injury. Figure M illustrates proper hand support of the saw. Maintain a firm grip with both hands on the saw and position your body and arm to allow you to resist kickback if it occurs. **ALWAYS TURN OFF TOOL AND REMOVE BATTERY BEFORE MAKING ANY ADJUSTMENTS!**

Fig. M

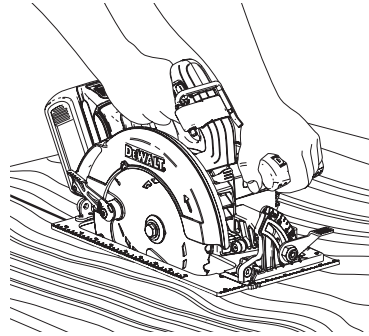


Figure M shows proper sawing position. Note that hands are kept away from cutting area. **To avoid kickback, DO support board or panel NEAR the cut (Fig. N). DON'T support board or panel away from the cut (Fig. O).**

Place the work with its "good" side – the one on which appearance is most important – down. The saw cuts upward, so any splintering will be on the work face that is up when you cut it.

Fig. N

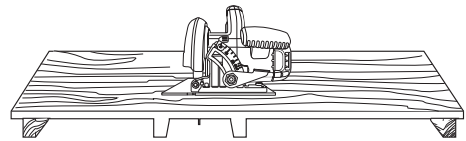
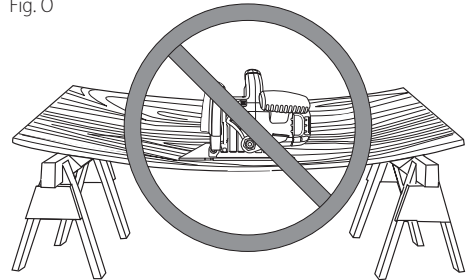


Fig. O



### Cutting (Fig. M)

Place the wider portion of the saw shoe on that part of the workpiece which is solidly supported, not on the section that will fall off when the cut is made. As an example, Figure M illustrates the RIGHT way to cut off the end of a board. Always clamp work. Don't try to hold short pieces by hand! Remember to support cantilevered and overhanging material. Use caution when sawing material from below.

Be sure saw is up to full speed before blade contacts material to be cut. Starting saw with blade against material to be cut or pushed forward into kerf can result in kickback. Push the saw forward at a speed which allows the blade to cut without laboring.

Hardness and toughness can vary even in the same piece of material, and knotty or damp sections can put a heavy load on the saw. When this happens, push the saw more slowly, but hard enough to keep working without much decrease in speed. Forcing the saw can cause rough cuts, inaccuracy, kickback, and over-heating of the motor.

Should your cut begin to go off the line, don't try to force it back on. Release the trigger switch and allow blade to come to a complete stop. Then you can withdraw the saw, sight anew, and start a new cut slightly inside the wrong one. Withdraw the saw if you must shift the cut. Forcing a correction inside the cut can stall the saw and lead to kickback.

IF SAW STALLS, RELEASE THE TRIGGER SWITCH AND BACK THE SAW UNTIL IT IS LOOSE. BE SURE BLADE IS STRAIGHT IN THE CUT AND CLEAR OF THE CUTTING EDGE BEFORE RESTARTING.

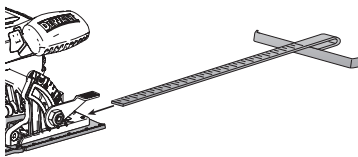
As you finish a cut, release the trigger switch and allow the blade to stop before lifting the saw from the work. As you lift the saw, the spring-tensioned lower blade guard will automatically close under the blade. Remember the blade is exposed until this occurs. Never reach under the work for any reason. When you have to retract the lower blade guard manually (as is necessary for starting pocket cuts), always use the retracting lever.

**WARNING:** When cutting thin strips, be careful to ensure that small cutoff pieces don't hang up on the inside of the lower blade guard.

### Ripping (Fig. P)

Ripping is the process of cutting wider boards into narrower strips – cutting grain lengthwise. Hand guiding is more difficult for this type of sawing and the use of a DeWALT rip fence is recommended.

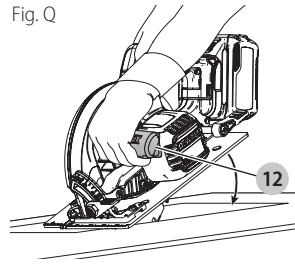
Fig. P



### Pocket Cutting (Fig. Q)

**WARNING:** Never tie the lower blade guard in a raised position. Never move the saw backwards when pocket cutting. This may cause the saw to raise up off the work surface, which could cause injury.

Fig. Q



A pocket cut is one that is made in a floor, wall or other flat surface.

1. Adjust the saw shoe so the blade cuts at desired depth.
2. Tilt the saw forward and rest front of the shoe on material to be cut.
3. Using the lower blade guard retracting lever, retract the lower blade guard to an upward position. Lower the rear of the shoe until the blade teeth almost touch the cutting line.
4. Release the lower blade guard (its contact with the work will keep it in position to open freely as you start the cut). Remove your hand from the lower blade guard retracting lever and firmly grip the auxiliary handle **12**, as shown in Figure Q. Position your body and arm to allow you to resist kickback if it occurs.
5. Make sure blade is not in contact with cutting surface before starting saw.
6. Start the motor and gradually lower the saw until its shoe rests flat on the material to be cut. Advance saw along the cutting line until cut is completed.
7. Release the trigger switch and allow the blade to stop completely before withdrawing the blade from the material.
8. When starting each new cut, repeat the above steps.

### Hang Hook (Fig. A)

**WARNING:** To reduce the risk of serious personal injury, do not use the tool's hang hook to hang the tool from your body. DO NOT use the hang hook for tethering or securing the tool to a person or object during use. DO NOT suspend tool overhead or suspend objects from the hang hook.

**WARNING:** To reduce the risk of injury from the circular saw falling on operators or bystanders, make sure it is supported securely when using the hang hook, or resting in a secure and stable location when not in use. Be sure to keep the area below clear to reduce the risk of the tool or off-cut material falling and striking someone or something below.

The circular saw has a convenient hang hook **16** that allows it to hang on a suitable, stable structure between uses. The hang hook is not for tethering or securing the tool to a person or object during use when elevated.

## MAINTENANCE



**WARNING:** To reduce the risk of serious personal injury, turn unit off and remove the battery pack before making any adjustments or removing/installing attachments or accessories. An accidental start-up can cause injury.

## Cleaning



**WARNING:** Blow dirt and dust out of all air vents with clean, dry air at least once a week. To minimize the risk of eye injury, always wear ANSI Z87.1 approved eye protection when performing this.



**WARNING:** Never use solvents or other harsh chemicals for cleaning the non-metallic parts of the tool. These chemicals may weaken the plastic materials used in these parts. Use a cloth dampened only with water and mild soap. Never let any liquid get inside the tool; never immerse any part of the tool into a liquid.

## Accessories



**WARNING:** Since accessories, other than those offered by DeWALT, have not been tested with this product, use of such accessories with this tool could be hazardous. To reduce the risk of injury, only DeWALT recommended accessories should be used with this product.

Recommended accessories for use with your tool are available at extra cost from your local dealer or authorized service center. If you need assistance in locating any accessory, please contact DeWALT Industrial Tool Co., 701 East Joppa Road, Towson, MD 21286, call 1-800-4-DeWALT (1-800-433-9258) or visit our website: [www.dewalt.com](http://www.dewalt.com).

## Repairs

The charger and battery pack are not serviceable.



**WARNING:** To assure product SAFETY and RELIABILITY, repairs, maintenance and adjustment (including brush inspection and replacement) should be performed by a DeWALT factory service center or a DeWALT authorized service center. Always use identical replacement parts.

## Register Online

Thank you for your purchase. Register your product now for:

- **WARRANTY SERVICE:** Registering your product will help you obtain more efficient warranty service in case there is a problem with your product.
- **CONFIRMATION OF OWNERSHIP:** In case of an insurance loss, such as fire, flood or theft, your registration of ownership will serve as your proof of purchase.
- **FOR YOUR SAFETY:** Registering your product will allow us to contact you in the unlikely event a safety notification is required under the Federal Consumer Safety Act.

Register online at [www.dewalt.com/register](http://www.dewalt.com/register).

## Three Year Limited Warranty

DeWALT will repair, without charge, any defects due to faulty materials or workmanship for three years from the date of purchase. This warranty does not cover part failure due to normal wear or tool abuse. For further detail of warranty coverage and warranty repair information, visit [www.dewalt.com](http://www.dewalt.com) or call 1-800-4-DeWALT (1-800-433-9258). This warranty does not apply to accessories or damage caused where repairs have been made or attempted by others. This warranty gives you specific legal rights and you may have other rights which vary in certain states or provinces.

In addition to the warranty, DeWALT tools are covered by our:

### 1 YEAR FREE SERVICE

DeWALT will maintain the tool and replace worn parts caused by normal use, for free, any time during the first year after purchase.

### 2 YEARS FREE SERVICE ON DEWALT BATTERY PACKS

DC9071, DC9091, DC9096, DC9182, DC9280, DC9360, DCB120, DCB127, DCB201, DCB203, DCB203BT, DCB207, DCB361

### 3 YEARS FREE SERVICE ON DEWALT BATTERY PACKS

DCB200, DCB204, DCB204BT, DCB205, DCB606

**NOTE:** Battery warranty voided if the battery pack is tampered with in any way. DeWALT is not responsible for any injury caused by tampering and may prosecute warranty fraud to the fullest extent permitted by law.

### 90 DAY MONEY BACK GUARANTEE

If you are not completely satisfied with the performance of your DeWALT Power Tool, Laser, or Nailer for any reason, you can return it within 90 days from the date of purchase with a receipt for a full refund – no questions asked.

**LATIN AMERICA:** This warranty does not apply to products sold in Latin America. For products sold in Latin America, see country specific warranty information contained in the packaging, call the local company or see website for warranty information.

**FREE WARNING LABEL REPLACEMENT:** If your warning labels become illegible or are missing, call 1-800-4-DeWALT (1-800-433-9258) for a free replacement.



## Définitions : symboles et termes d'alarmes sécurité

Ces guides d'utilisation utilisent les symboles et termes d'alarmes sécurité suivants pour vous prévenir de situations dangereuses et de risques de dommages corporels ou matériels.





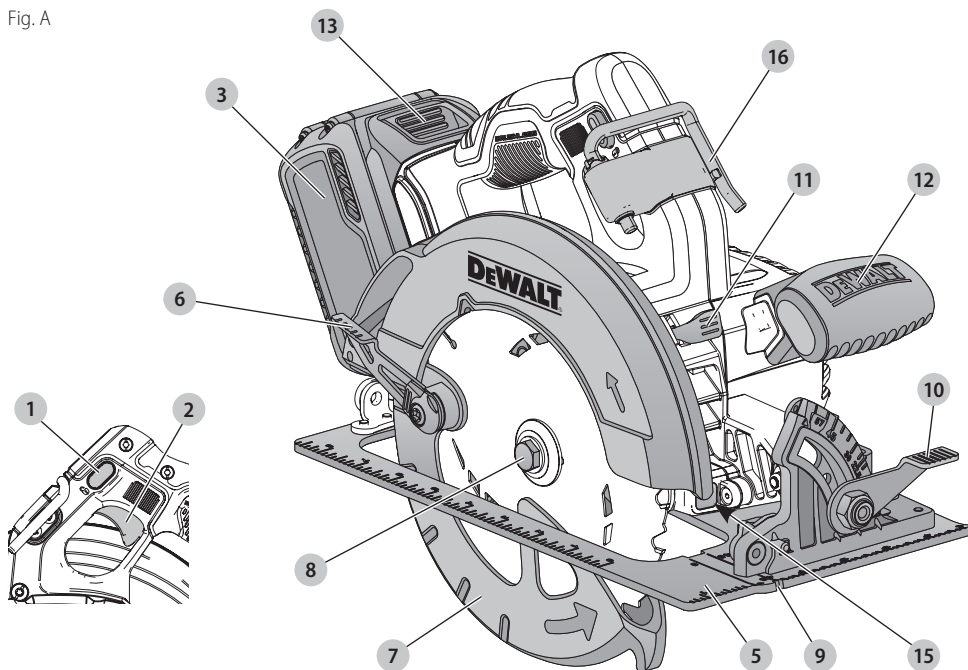

-  **DANGER** : indique une situation dangereuse imminente qui, si elle n'est pas évitée, **entraînera la mort ou des blessures graves**.
-  **AVERTISSEMENT** : indique une situation potentiellement dangereuse qui, si elle n'est pas évitée, **pourrait entraîner la mort ou des blessures graves**.
-  **ATTENTION** : indique une situation potentiellement dangereuse qui, si elle n'est pas évitée, **pourrait entraîner des blessures légères ou modérées**.
-  (Si utilisé sans aucun terme) Indique un message propre à la sécurité.
- AVIS** : indique une pratique ne posant **aucun risque de dommages corporels** mais qui par contre, si rien n'est fait pour l'éviter, **pourrait poser des risques de dommages matériels**.

Fig. A



- 1 Bouton de verrouillage de la gâchette
- 2 Interrupteur à gâchette
- 3 Bloc-piles
- 4 Levier de réglage de profondeur (Fig. H)
- 5 Patin
- 6 Levier rétractant du protège-lame inférieur
- 7 Protège-lame inférieur
- 8 Vis de fixation de la lame
- 9 Indicateur de trait de scie
- 10 Levier de réglage d'angle de biseau
- 11 Bouton de verrouillage de la lame
- 12 Poignée auxiliaire
- 13 Bouton de libération du bloc-piles
- 14 Clé pour lame (Fig. H)
- 15 Lampe de travail
- 16 Crochet de suspension

 **AVERTISSEMENT! lire tous les avertissements de sécurité et toutes les directives.** Le non-respect des avertissements et des directives pourrait se solder par un choc électrique, un incendie et/ou une blessure grave.

 **AVERTISSEMENT :** afin de réduire le risque de blessures, lire le mode d'emploi de l'outil.

**Pour toute question ou remarque au sujet de cet outil ou de tout autre outil DeWALT, composez le numéro sans frais : 1-800-4-DeWALT (1-800-433-9258).**

## AVERTISSEMENTS DE SÉCURITÉ GÉNÉRAUX POUR LES OUTILS ÉLECTRIQUES



**AVERTISSEMENT!** lire tous les avertissements de sécurité et toutes les directives. Le non-respect des avertissements et des directives pourrait se solder par un choc électrique, un incendie et/ou une blessure grave.

### CONSERVER TOUS LES AVERTISSEMENTS ET TOUTES LES DIRECTIVES POUR UN USAGE ULTÉRIEUR

Le terme « outil électrique » cité dans les avertissements se rapporte à votre outil électrique à alimentation sur secteur (avec fil) ou par piles (sans fil).

#### 1) Sécurité du lieu de travail

- Tenir l'aire de travail propre et bien éclairée.**  
Les lieux encombrés ou sombres sont propices aux accidents.
- Ne pas faire fonctionner d'outils électriques dans un milieu déflamant, tel qu'en présence de liquides, de gaz ou de poussières inflammables.**  
Les outils électriques produisent des étincelles qui pourraient enflammer la poussière ou les vapeurs.
- Éloigner les enfants et les personnes à proximité pendant l'utilisation d'un outil électrique.** Une distraction pourrait en faire perdre la maîtrise à l'utilisateur.

#### 2) Sécurité en matière d'électricité

- Les fiches des outils électriques doivent correspondre à la prise. Ne jamais modifier la fiche d'aucune façon. Ne jamais utiliser de fiche d'adaptation avec un outil électrique mis à la terre.** Le risque de choc électrique sera réduit par l'utilisation de fiches non modifiées correspondant à la prise.
- Éviter tout contact physique avec des surfaces mises à la terre comme des tuyaux, des radiateurs, des cuisinières et des réfrigérateurs.** Le risque de choc électrique est plus élevé si votre corps est mis à la terre.
- Ne pas exposer les outils électriques à la pluie ou à l'humidité.** La pénétration de l'eau dans un outil électrique augmente le risque de choc électrique.
- Ne pas utiliser le cordon de façon abusive. Ne jamais utiliser le cordon pour transporter, tirer ou débrancher un outil électrique. Tenir le cordon éloigné de la chaleur, de l'huile, des bords tranchants et des pièces mobiles.** Les cordons endommagés ou enchevêtrés augmentent les risques de choc électrique.
- Pour l'utilisation d'un outil électrique à l'extérieur, se servir d'une rallonge convenant à cette application.** L'utilisation d'une rallonge conçue pour l'extérieur réduira les risques de choc électrique.

- S'il est impossible d'éviter l'utilisation d'un outil électrique dans un endroit humide, brancher l'outil dans une prise ou sur un circuit d'alimentation dotés d'un disjoncteur de fuite à la terre (GFCI).** L'utilisation de ce type de disjoncteur réduit les risques de choc électrique.

#### 3) Sécurité personnelle

- Être vigilant, surveiller le travail effectué et faire preuve de jugement lorsqu'un outil électrique est utilisé. Ne pas utiliser d'outil électrique en cas de fatigue ou sous l'influence de drogues, d'alcool ou de médicaments.** Un simple moment d'inattention en utilisant un outil électrique peut entraîner des blessures corporelles graves.
- Utiliser des équipements de protection individuelle. Toujours porter une protection oculaire.** L'utilisation d'équipements de protection comme un masque antipoussière, des chaussures antidérapantes, un casque de sécurité ou des protecteurs auditifs lorsque la situation le requiert réduira les risques de blessures corporelles.
- Empêcher les démarrages intempestifs. S'assurer que l'interrupteur se trouve à la position d'arrêt avant de relier l'outil à une source d'alimentation et/ou d'insérer un bloc-piles, de ramasser ou de transporter l'outil.** Transporter un outil électrique alors que le doigt repose sur l'interrupteur ou brancher un outil électrique dont l'interrupteur est à la position de marche risque de provoquer un accident.
- Retirer toute clé de réglage ou clé avant de démarrer l'outil.** Une clé ou une clé de réglage attachée à une partie pivotante de l'outil électrique peut provoquer des blessures corporelles.
- Ne pas trop tendre les bras. Conserver son équilibre en tout temps.** Cela permet de mieux maîtriser l'outil électrique dans les situations imprévues.
- S'habiller de manière appropriée. Ne pas porter de vêtements amples ni de bijoux. Garder les cheveux, les vêtements et les gants à l'écart des pièces mobiles.** Les vêtements amples, les bijoux ou les cheveux longs risquent de rester coincés dans les pièces mobiles.
- Si des composants sont fournis pour le raccordement de dispositifs de dépoussiérage et de ramassage, s'assurer que ceux-ci sont bien raccordés et utilisés.** L'utilisation d'un dispositif de dépoussiérage peut réduire les dangers engendrés par les poussières.

#### 4) Utilisation et entretien d'un outil électrique

- Ne pas forcer un outil électrique. Utiliser l'outil électrique approprié à l'application.** L'outil électrique approprié effectuera un meilleur travail, de façon plus sûre et à la vitesse pour laquelle il a été conçu.

- b) **Ne pas utiliser un outil électrique dont l'interrupteur est défectueux.** Tout outil électrique dont l'interrupteur est défectueux est dangereux et doit être réparé.
- c) **Débrancher la fiche de la source d'alimentation et/ou du bloc-piles de l'outil électrique avant de faire tout réglage ou changement d'accessoire ou avant de ranger l'outil.** Ces mesures préventives réduisent les risques de démarrage accidentel de l'outil électrique.
- d) **Ranger les outils électriques hors de la portée des enfants et ne permettre à aucune personne n'étant pas familière avec un outil électrique ou son mode d'emploi d'utiliser cet outil.** Les outils électriques deviennent dangereux entre les mains d'utilisateurs inexpérimentés.
- e) **Entretien des outils électriques. Vérifier si les pièces mobiles sont mal alignées ou coincées, si des pièces sont brisées ou présentent toute autre condition susceptible de nuire au bon fonctionnement de l'outil électrique. En cas de dommage, faire réparer l'outil électrique avant toute nouvelle utilisation.** Beaucoup d'accidents sont causés par des outils électriques mal entretenus.
- f) **S'assurer que les outils de coupe sont aiguisés et propres.** Les outils de coupe bien entretenus et affûtés sont moins susceptibles de se coincer et sont plus faciles à maîtriser.
- g) **Utiliser l'outil électrique, les accessoires, les forets, etc. conformément aux présentes directives en tenant compte des conditions de travail et du travail à effectuer.** L'utilisation d'un outil électrique pour toute opération autre que celle pour laquelle il a été conçu est dangereuse.

## 5) Utilisation et entretien du bloc-piles

- a) **Ne recharger l'outil qu'au moyen du chargeur précisé par le fabricant.** L'utilisation d'un chargeur qui convient à un type de bloc-piles risque de provoquer un incendie s'il est utilisé avec un autre type de bloc-piles.
- b) **Utiliser les outils électriques uniquement avec les blocs-piles conçus à cet effet.** L'utilisation de tout autre bloc-piles risque de causer des blessures ou un incendie.
- c) **Lorsque le bloc-piles n'est pas utilisé, le tenir éloigné des objets métalliques, notamment des trombones, de la monnaie, des clés, des clous, des vis ou autres petits objets métalliques qui peuvent établir une connexion entre les deux bornes.** Le court-circuit des bornes du bloc-piles risque de provoquer des brûlures ou un incendie.
- d) **En cas d'utilisation abusive, le liquide peut gicler hors du bloc-piles; éviter tout contact avec ce liquide. Si un contact accidentel se produit, laver à grande eau. Si le liquide entre en contact avec les yeux, obtenir également des soins médicaux.** Le liquide qui gicle hors du bloc-piles peut provoquer des irritations ou des brûlures.

## 6) Réparation

- a) **Faire réparer l'outil électrique par un réparateur professionnel en n'utilisant que des pièces de rechange identiques.** Cela permettra de maintenir une utilisation sécuritaire de l'outil électrique.

## Consignes de sécurité propres à toutes les scies

### PROCÉDURES DE COUPE

- a) **▲DANGER : éloigner les mains des zones et organes de coupe. Maintenir la deuxième main sur la poignée auxiliaire ou le boîtier du moteur.** Lorsque les deux mains maintiennent la scie, la lame ne peut les couper.
- b) **N'essayez pas de tenir le dessous de l'ouvrage.** Le protège-lame ne peut pas vous protéger de la lame en dessous de l'ouvrage.
- c) **Ajustez la profondeur de coupe à l'épaisseur de l'ouvrage.** Moins d'une dent entière de lame devrait être visible en dessous de l'ouvrage.
- d) **Ne tenez jamais dans vos mains ou sur vos genoux un ouvrage qui est en cours de coupe. Fixez votre ouvrage sur une plateforme stable.** Il est important de soutenir correctement l'ouvrage afin de minimiser l'exposition du corps à la lame, le risque de coincement de la lame ou la perte de contrôle de l'outil.
- e) **Tenez l'outil électrique par ses surfaces de préhension isolantes quand vous réalisez une opération au cours de laquelle l'outil de coupe pourrait entrer en contact avec des câbles dissimulés.** Le contact avec un fil sous tension mettra également sous tension toutes les pièces métalliques exposées et donnera un choc électrique à l'utilisateur de l'outil.
- f) **Pendant les coupes de refente, utilisez toujours un guide de refente ou un guide à bord droit.** Ceci augmente toujours l'exactitude de la coupe et diminue la possibilité de coincement de la lame.
- g) **Utilisez toujours des lames dont l'alésage central est de la taille et de la forme appropriées (soit en forme de diamant, soit en forme de rond).** Les lames qui ne correspondent pas aux pièces de montage de la scie tourneront de façon excentrique, ce qui causera une perte de contrôle de l'outil.
- h) **Ne vous servez jamais de rondelles ou de boulons de lames qui sont endommagés ou inappropriés.** Les rondelles et le boulon de lame ont été conçus spécifiquement pour votre scie dans le but d'assurer une performance optimale et un fonctionnement sans danger.

## Consignes additionnelles de sécurité propres à toutes les scies

### Causes des rebonds et méthodes de prévention pouvant être utilisées par l'utilisateur :

- Le rebond est une réaction subite (causée par une lame de scie pincée, coincée ou mal alignée) qui peut entraîner le soulèvement d'une scie non contrôlée, sa sortie de l'ouvrage et sa projection en direction de l'utilisateur.
- Si la lame est pincée ou coincée fortement pendant l'abaissement de la scie, la lame se cale et le moteur réagit en entraînant rapidement l'outil vers l'arrière dans la direction de l'opérateur.
- Si la lame se tord ou perd son alignement correct au cours de la coupe, les dents sur le bord arrière de la lame peuvent entamer la surface supérieure du bois, forçant ainsi la lame à sortir du trait de scie et à « sauter » vers l'arrière en direction de l'opérateur.

Le rebond est la conséquence d'une mauvaise utilisation de la scie et/ou de procédures ou de conditions incorrectes, et il peut être évité en prenant les précautions qui sont décrites ci-dessous :

- a) **Maintenez fermement la scie avec vos deux mains et positionnez vos bras de façon à résister aux forces de rebond.** Les forces de rebond peuvent être contrôlées par l'utilisateur quand les précautions appropriées sont prises.
- b) **En cas de coincement de la lame ou d'interruption d'une coupe pour une raison quelconque, relâchez la gâchette et tenez la scie immobile dans l'ouvrage jusqu'à ce que la lame se soit immobilisée complètement. Ne tentez jamais de retirer la scie de l'ouvrage ou de la tirer vers l'arrière pendant que la lame est en mouvement, car un rebond risquerait de se produire.** Évaluez la situation et prenez les mesures correctives nécessaires pour éliminer la cause du coincement de la lame.
- c) **Lorsque vous remettez une scie en marche quand l'ouvrage est présent, centrez la lame de scie dans le trait de scie et vérifiez que les dents de la lame ne sont pas engagées dans le matériau de l'ouvrage.** Si la lame de scie se coince, elle peut grimper hors de l'ouvrage ou rebondir sur celui-ci quand la scie est remise en marche.
- d) **Soutenez les panneaux de grande taille de façon à minimiser le risque de pincement et de rebond de la lame.** Les panneaux de grande taille ont tendance à s'affaisser sous leur propre poids. Des supports doivent être placés des deux côtés sous le panneau, à proximité de la ligne de coupe et à proximité du rebord du panneau.
- e) **N'utilisez pas de lame émoussée ou endommagée.** Des lames non aiguisées ou mal installées produisent un trait de scie étroit qui cause une friction excessive, le coincement de la lame et un effet de rebond.

- f) **Les leviers de réglage de la profondeur et de l'angle de coupe de la lame doivent être bien serrés et assujettis avant de réaliser une coupe.** Une modification du réglage de la lame pendant la coupe risque d'entraîner un coincement et un rebondissement de la lame.
- g) **Procédez avec une prudence supplémentaire quand vous réalisez une « coupe en plongée » dans des murs déjà en place ou dans des pièces sans issue.** La lame saillante peut couper des objets, et ceci peut entraîner un rebond.

### Directives de sécurité propres au fonctionnement du carter inférieur

- a) **Inspectez le protège-lame inférieur avant chaque utilisation pour vous assurer qu'il se ferme correctement. Ne faites pas fonctionner la scie si le protège-lame inférieur ne se déplace pas librement et ne se ferme pas instantanément. Ne forcez jamais le protège-lame inférieur dans la position ouverte à l'aide d'un collier de serrage ou d'une attache.** Il est possible que le protège-lame inférieur se torde en cas de chute accidentelle de la scie. Soulevez le protège-lame inférieur à l'aide de la poignée rétractable et assurez-vous qu'il se déplace sans problème et qu'il ne touche pas la lame ou une autre pièce, quel que soit l'angle ou la profondeur de la coupe.
- b) **Vérifiez le fonctionnement du ressort du protège-lame inférieur. Si le protège-lame inférieur et le ressort ne fonctionnent pas correctement, ils doivent être réparés avant l'emploi.** Le protège-lame inférieur peut parfois mal fonctionner à cause de pièces endommagées, d'accumulation de résine ou de débris.
- c) **Le protège-lame inférieur doit être rétracté à la main uniquement à l'occasion de coupes spéciales telles que les « coupes en plongée » ou les « coupes composées ».** Soulevez le protège-lame inférieur à l'aide la poignée rétractable et relâchez-le dès que la lame pénètre dans le matériau de l'ouvrage. Pour toute autre opération de sciage, le protège-lame inférieur doit fonctionner automatiquement.
- d) **Vérifiez toujours que le protège-lame inférieur couvre la lame avant de placer la scie sur un banc ou sur le sol. Une lame non protégée qui tourne librement entraînera le mouvement de la scie en marche arrière, ce qui provoquera la coupe de tout ce qui se trouve sur sa trajectoire.** Soyez conscient du temps nécessaire à la lame pour s'arrêter une fois que la gâchette est relâchée.

### Consigne de sécurité supplémentaire



**AVERTISSEMENT :** porter **SYSTEMATIQUEMENT** des lunettes de protection. Les lunettes courantes NE sont PAS des lunettes de protection. Utiliser aussi un masque antipoussières si la découpe doit en

produire beaucoup. PORTER SYSTÉMATIQUEMENT UN ÉQUIPEMENT DE SÉCURITÉ HOMOLOGUÉ :

- Protection oculaire ANSI Z87.1 (CAN/CSA Z94.3) ;
- Protection auditive ANSI S12.6 (S3.19) ;
- Protection des voies respiratoires NIOSH/OSHA/MSHA.



**AVERTISSEMENT :** les scies, meules, ponceuses, perceuses ou autres outils de construction peuvent produire des poussières contenant des produits chimiques reconnus par l'État californien pour causer cancers, malformations congénitales ou être nocifs au système reproducteur. Parmi ces produits chimiques, on retrouve :

- Le plomb dans les peintures à base de plomb ;
- La silice cristallisée dans les briques et le ciment, ou autres produits de maçonnerie ; et
- L'arsenic et le chrome dans le bois ayant subi un traitement chimique.

Le risque associé à de telles expositions varie selon la fréquence à laquelle on effectue ces travaux. Pour réduire toute exposition à ces produits : travailler dans un endroit bien aéré, en utilisant du matériel de sécurité homologué, tel un masque antipoussières spécialement conçu pour filtrer les particules microscopiques.

- **Limiter toute exposition prolongée avec les poussières provenant du ponçage, sciage, meulage, perçage ou toute autre activité de construction. Porter des vêtements de protection et nettoyer à l'eau savonneuse les parties du corps exposés.** Le fait de laisser la poussière pénétrer dans la bouche, les yeux ou la peau peut favoriser l'absorption de produits chimiques dangereux.



**AVERTISSEMENT :** cet outil peut produire et/ou répandre de la poussière susceptible de causer des dommages sérieux et permanents au système respiratoire. Utiliser systématiquement un appareil de protection des voies respiratoires homologué par le NIOSH ou l'OSHA. Diriger les particules dans le sens opposé au visage et au corps.



**AVERTISSEMENT :** pendant l'utilisation, porter systématiquement une protection auditive individuelle adéquate homologuée ANSI S12.6 (S3.19). Sous certaines conditions et suivant la durée d'utilisation, le bruit émanant de ce produit pourrait contribuer à une perte de l'acuité auditive.



**ATTENTION :** après utilisation, ranger l'outil sur son côté, sur une surface stable, là où il ne pourra ni faire trébucher ni faire chuter quelqu'un. Certains outils équipés d'un large bloc-piles peuvent tenir à la verticale sur celui-ci, mais manquent alors de stabilité.



**AVERTISSEMENT :** ne pas utiliser de meules ou de lames abrasives.
















**AVERTISSEMENT :** ne pas utiliser des dispositifs d'alimentation en eau.

- Utilisez des serres de fixation ou un autre dispositif de fixation permettant de soutenir et de retenir la

pièce sur une plate-forme stable. Tenir la pièce avec la main ou contre son corps n'est pas suffisamment stable et risque de provoquer une perte de maîtrise de l'outil.

- **Se placer à gauche ou à droite de la lame de scie et non dans sa trajectoire.** L'EFFET DE REBOND risque de faire rebondir la scie vers l'arrière (consulter les rubriques **Causes des rebonds et méthodes de prévention pouvant être utilisées par l'utilisateur** et **REBOND**).
- **Prendre des précautions à proximité des événements car ils cachent des pièces mobiles.** Vêtements amples, bijoux ou cheveux longs risquent de rester coincés dans ces pièces mobiles.
- **Éviter de couper des clous.** Examiner la pièce à découper pour s'assurer qu'elle ne renferme aucun clou avant les travaux. Le cas échéant, les retirer.

L'étiquette apposée sur votre outil peut inclure les symboles suivants. Les symboles et leur définition sont indiqués ci-après :

V .....	volts		or AC..... courant alternatif
Hz .....	hertz		or AC/DC..... courant alternatif ou continu
min .....	minutes		..... fabrication classe II (double isolation)
	or DC..... courant continu		..... vitesse à vide
	..... fabrication classe I (mis à la terre)	n .....	vitesse nominale
.../min.....	par minute		..... borne de terre
BPM .....	battements par minute		..... symbole d'avertissement
IPM .....	impacts par minute		..... radiation visible
RPM .....	révolutions per minute		..... protection respiratoire
sfpn .....	pieds linéaires par minute (plpm)		..... protection oculaire
SPM (FPM) .....	fréquence par minute		..... protection auditive
A .....	ampères		..... lire toute la documentation
W .....	watts		

## BLOCS-PILES ET CHARGEURS

Le bloc-piles n'est pas totalement chargé d'usine. Avant d'utiliser le bloc-piles et le chargeur, lire les consignes de sécurité ci-après puis suivre la procédure de chargement indiquée. Pour commander un bloc-piles de rechange, s'assurer d'en inclure le numéro de catalogue et la tension. Cet outil fonctionne avec un chargeur DeWALT. S'assurer de bien lire toutes les consignes de sécurité avant toute utilisation du chargeur. Consulter le tableau en fin de manuel pour connaître les compatibilités entre chargeurs et blocs-piles.

### LIRE TOUTES LES CONSIGNES

## Consignes importantes de sécurité les blocs-piles



**AVERTISSEMENT :** Lire toutes les instructions et toutes les consignes de sécurité propres au bloc-piles, au chargeur et à l'outil électrique. Tout manquement aux avertissements et instructions

## FRANÇAIS

**pose des risques de décharges électriques, d'incendie et/ou de blessures graves.**

- **Ne pas recharger ou utiliser un bloc-piles en milieu déflagrant, en présence, par exemple, de poussières, gaz ou liquides inflammables.** Le fait d'insérer ou retirer un bloc-piles de son chargeur pourrait causer l'inflammation de poussières ou d'émanations.
- **NE JAMAIS forcer l'insertion d'un bloc-piles dans un chargeur. NE modifier un bloc-piles d'AUCUNE façon pour le faire rentrer dans un chargeur incompatible, car il pourrait se briser et causer des dommages corporels graves.** Consulter le tableau en dernière page de ce manuel pour connaître les compatibilités entre chargeurs et blocs-piles.
- Recharger les blocs-piles exclusivement dans des chargeurs DeWALT.
- **NE PAS** éclabousser le bloc-piles ou l'immerger dans l'eau ou dans tout autre liquide.
- **Ne pas entreposer ou utiliser l'appareil et le bloc-piles en présence de températures ambiantes pouvant excéder 40 °C (104 °F) (comme dans des hangars ou des bâtiments métalliques l'été).** Pour préserver leur durée de vie, entreposer les blocs-piles dans un endroit frais et sec.

**REMARQUE : ne pas mettre un bloc-piles dans un outil dont la gâchette est verrouillée en position de marche. Ne jamais bloquer l'interrupteur en position de MARCHÉ.**

- **Ne pas incinérer le bloc-piles même s'il est sévèrement endommagé ou complètement usagé, car il pourrait exploser et causer un incendie.** Pendant l'incinération des blocs-piles au lithium-ion, des vapeurs et matières toxiques sont dégagées.
- **En cas de contact du liquide de la pile avec la peau, rincer immédiatement au savon doux et à l'eau.** En cas de contact oculaire, rincer l'œil ouvert à l'eau claire une quinzaine de minutes ou jusqu'à ce que l'irritation cesse. Si des soins médicaux s'avèrent nécessaires, noter que l'électrolyte de la pile est composé d'un mélange de carbonates organiques liquides et de sels de lithium.
- **Le contenu des cellules d'une pile ouverte peut causer une irritation respiratoire.** En cas d'inhalation, exposer l'individu à l'air libre. Si les symptômes persistent, consulter un médecin.

**⚠ AVERTISSEMENT : risques de brûlure.** Le liquide de la pile peut s'enflammer s'il est exposé à des étincelles ou à une flamme.

**⚠ AVERTISSEMENT : risques d'incendie.** Ne jamais tenter d'ouvrir le bloc-piles pour quelque raison que ce soit. Si le boîtier du bloc-piles est fissuré ou endommagé, ne pas l'insérer dans un chargeur. Ne pas écraser, laisser tomber, ou endommager les blocs-piles. Ne pas utiliser un bloc-piles ou un chargeur qui a reçu un choc violent, ou si l'appareil est tombé, a été écrasé ou endommagé de quelque façon que ce soit (p. ex. percé par un clou, frappé d'un coup de marteau, piétiné). Les blocs-piles endommagés

doivent être renvoyés à un centre de réparation pour y être recyclés.

## Transport



**AVERTISSEMENT : risques d'incendie.** Au moment de ranger ou transporter le bloc-piles, veiller à protéger ses bornes à découvert de tout objet métallique. Par exemple, éviter de placer le bloc-piles dans un tablier, une poche, une boîte à outils ou un tiroir, etc. contenant des objets tels que clous, vis, clés, etc. **Le fait de transporter des blocs-piles comporte des risques d'incendie, car les bornes des piles pourraient entrer, par inadvertance, en contact avec des objets conducteurs, tels que : clés, pièces de monnaie, outils ou autres.** La réglementation sur les produits dangereux (Hazardous Material Regulations) du département américain des transports interdit, en fait, le transport des blocs-piles dans les commerces ou dans les avions dans les bagages de cabine, À MOINS qu'ils ne soient correctement protégés de tout court-circuit. Aussi lors du transport individuel de blocs-piles, s'assurer que leurs bornes sont bien protégées et isolées de tout matériau pouvant entrer en contact avec elles et provoquer un court-circuit.

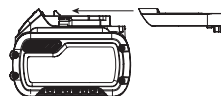
## Expédition du bloc-piles DeWALT FLEXVOLT™

Le bloc-piles DeWALT FLEXVOLT™ possède deux modes : **Utilisation et Expédition.**

**Mode Utilisation :** lorsque le bloc-piles FLEXVOLT™ est par lui-même ou dans un produit DeWALT 20 v max\*, il fonctionnera comme un bloc-piles de 20 v max\*. Lorsque le bloc-piles FLEXVOLT™ est dans un produit de 60 v max\* ou 120 v max\* (deux blocs-piles de 60 v max\*), il fonctionnera comme un bloc-piles de 60 v max\*.

**Mode Expédition :** lorsque le capuchon est inséré sur le bloc-piles FLEXVOLT™, le bloc-piles est en mode Expédition. Les modules de cellules sont électriquement déconnectés du bloc faisant correspondre à trois blocs-piles d'un wattheure (Wh) inférieur comparé à un bloc-piles de wattheure élevé. Ce passage à trois blocs-piles à un wattheure inférieur peut permettre au bloc-piles d'être exempté de suivre certaines directives d'expédition imposées sur les blocs-piles de wattheure supérieur.

L'étiquette du bloc-piles donne deux estimations de wattheures (se reporter à l'exemple). Selon comment le bloc-piles est expédié, l'estimation appropriée de wattheure doit être utilisée pour déterminer les modalités d'expédition lui correspondant. Si le capuchon d'expédition est utilisé, le bloc-piles sera considéré comme 3 blocs-piles au wattheure indiqué pour « Expédition ». S'il est expédié sans le capuchon ou dans un outil, le bloc-piles sera considéré comme un seul bloc-piles au wattheure indiqué à côté de « Utilisation ».



Exemple d'étiquetage d'utilisation et d'expédition

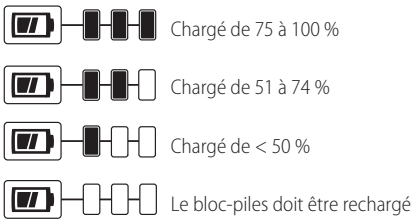
**USE: 120 Wh Shipping: 3 x 40 Wh**

Par exemple, le Wh de expédition pourra indiquer 3 x 40 Wh, ce qui correspond à 3 blocs-piles de 40 wattheures chacun. L'utilisation du Wh pourra indiquer 120 Wh (sous-entendu 1 bloc-piles).

### Témoin de Charge du Bloc-Piles (Fig. B)

Certains blocs-piles DeWALT possèdent un témoin de charge qui consiste en trois voyants Del verts indiquant le niveau de charge du bloc-piles.

Le témoin de charge indique approximativement le niveau de charge restant dans le bloc-piles en fonction des voyants suivants :



Pour activer le témoin de charge, maintenez appuyé le bouton du témoin de charge. Une combinaison des trois voyants Del verts s'allumera indiquant le niveau de charge. Lorsque le niveau de charge du bloc-pile atteint la limite minimale d'utilisation, le témoin de charge reste éteint et le bloc-piles doit être rechargé.

Fig. B



**REMARQUE :** le témoin de charge ne fait qu'indiquer le niveau de charge du bloc-piles. Il ne donne aucune indication quant au fonctionnement de l'outil. Son propre fonctionnement pourra aussi varier en fonction des composants produit, de la température et de l'application d'utilisation.

Pour plus d'informations quant au témoin de charge du bloc-piles, veuillez appeler le 1-800-4-DeWALT (1-800-433-9258) ou vous rendre sur notre site [www.dewalt.com](http://www.dewalt.com).

### Le sceau SRPRC®

Le sceau SRPRC® (Société de recyclage des piles rechargeables du Canada) apposé sur une pile au nickel-cadmium, à hydrure métallique de nickel ou au lithium-ion (ou un bloc-piles) indique que les coûts de recyclage de ces derniers en fin d'utilisation ont déjà été réglés par DeWALT. Dans certaines régions, la mise au rebut ou aux ordures municipales des piles au nickel-cadmium, à l'hydrure métallique de nickel ou au lithium-ion, est illégale ; le programme de l'Appel à Recycler® constitue donc une solution pratique et écologique.

Appel à Recycler Canada, Inc., en collaboration avec DeWALT et d'autres utilisateurs de piles, a mis sur pied de programme aux États-Unis et au Canada pour faciliter la collecte des piles au nickel-cadmium, à l'hydrure métallique de nickel ou au lithium-ion usagées. Aidez-nous à protéger l'environnement et à conserver nos ressources naturelles



en renvoyant les piles au nickel-cadmium, à l'hydrure métallique de nickel ou au lithium-ion usagées à un centre de réparation autorisé DeWALT ou chez votre détaillant afin qu'elles y soient recyclées. On peut en outre se renseigner auprès d'un centre de recyclage local pour connaître d'autres sites les acceptant.

SRPRC® est une marque déposée de l'Appel à Recycler Canada, Inc.

### Directives de sécurité importantes propres à tous les chargeurs de piles



**AVERTISSEMENT :** Lire toutes les instructions et toutes les consignes de sécurité propres au bloc-piles, au chargeur et à l'outil électrique. Tout manquement aux avertissements et instructions pose des risques de décharges électriques, d'incendie et/ou de blessures graves.

- **NE PAS tenter de charger de bloc-piles avec des chargeurs autres que ceux décrits dans ce manuel.**  
*Le chargeur et son bloc-piles ont été conçus tout spécialement pour fonctionner ensemble.*
- **Ces chargeurs n'ont pas été conçus pour une utilisation autre que recharger les blocs-piles rechargeables DeWALT.** Toute autre utilisation comporte des risques d'incendie, de chocs électriques ou d'électrocution.
- **Protéger le chargeur de la pluie ou de la neige.**
- **Tirer sur la fiche plutôt que sur le cordon pour débrancher le chargeur.** Cela permet de réduire les risques d'endommager la fiche ou le cordon d'alimentation.
- **S'assurer que le cordon est protégé de manière à ce que personne ne marche ni ne trébuche dessus, ou à ce qu'il ne soit ni endommagé ni soumis à aucune tension.**
- **N'utiliser une rallonge qu'en cas de nécessité absolue.** L'utilisation d'une rallonge inadéquate comporte des risques d'incendie, de chocs électriques ou d'électrocution.
- **Pour utiliser un chargeur à l'extérieur, le placer dans un endroit sec et utiliser une rallonge conçue pour l'extérieur.** L'utilisation d'une rallonge conçue pour l'extérieur réduit les risques de chocs électriques.
- **Pour la sécurité de l'utilisateur, utiliser une rallonge de calibre adéquat (AWG, American Wire Gauge [calibrage américain normalisé des fils électriques]).** Plus le calibre est petit, et plus sa capacité est grande. Un calibre 16, par exemple, a une capacité supérieure à un calibre 18. L'usage d'une rallonge de calibre insuffisant causera une chute de tension qui entraînera perte de puissance et surchauffe. Si plus d'une rallonge est utilisée pour obtenir une certaine longueur, s'assurer que chaque rallonge présente au moins le calibre de fil minimum. Le tableau ci-dessous illustre les calibres à utiliser selon la longueur de rallonge et l'intensité nominale indiquée sur la plaque signalétique. En cas de doute, utiliser le calibre suivant. Plus le calibre est petit, plus la rallonge peut supporter de courant.

**Calibre minimum pour les cordons d'alimentation**

Volts		Longueur totale du cordon d'alimentation en mètre (pieds)			
120 V		7,6 (25)	15,2 (50)	30,5 (100)	45,7 (150)
240 V		15,2 (50)	30,5 (100)	61,0 (200)	91,4 (300)
Ampères		AWG			
Plus que	Pas plus que				
0	6	18	16	16	14
6	10	18	16	14	12
10	12	16	16	14	12
12	16	14	12	Non recommandé	

- **Ne poser aucun objet sur le chargeur. Ne pas mettre le chargeur sur une surface molle qui pourrait en bloquer la ventilation et provoquer une surchauffe interne.** Éloigner le chargeur de toute source de chaleur. Le chargeur dispose d'orifices d'aération sur le dessus et le dessous du boîtier.
- **Ne pas le faire fonctionner avec un cordon d'alimentation ou une fiche endommagée.**
- **Ne pas utiliser le chargeur s'il a reçu un coup, fait une chute ou a été endommagé de quelque façon que ce soit.** Le ramener dans un centre de réparation agréé.
- **Ne pas démonter le chargeur. Pour tout service ou réparation, le rapporter dans un centre de réparation agréé.** Le fait de le réassembler de façon incorrecte comporte des risques de chocs électriques, d'électrocution et d'incendie.
- **Débrancher le chargeur du secteur avant tout entretien. Cela réduira tout risque de chocs électriques.** Le fait de retirer le bloc-piles ne réduira pas ces risques.
- **NE JAMAIS tenter de connecter 2 chargeurs ensemble.**
- **Le chargeur a été conçu pour être alimenté en courant électrique domestique standard de 120 volts. Ne pas tenter de l'utiliser avec toute autre tension.** Cela ne s'applique pas aux chargeurs de postes mobiles.

**⚠ AVERTISSEMENT :** risques de chocs électriques. Ne laisser aucun liquide pénétrer dans le chargeur, des chocs électriques pourraient en résulter.

**⚠ AVERTISSEMENT :** risques de brûlure. Ne submerger le bloc-piles dans aucun liquide et le protéger de toute infiltration de liquide. Ne jamais tenter d'ouvrir le bloc-piles pour quelque raison que ce soit. Si le boîtier plastique du bloc-piles est brisé ou fissuré, le retourner dans un centre de réparation pour y être recyclé.

**⚠ ATTENTION :** risques de brûlure. Pour réduire tout risque de dommages corporels, ne recharger que des blocs-piles rechargeables DeWALT. Tout autre type de piles pourrait exploser et causer des dommages corporels et matériels.

**AVIS :** sous certaines conditions, lorsque le chargeur est connecté au bloc d'alimentation, des matériaux étrangers pourraient court-circuiter le chargeur. Les corps étrangers conducteurs tels que (mais pas limité à) poussières de rectification, débris métalliques, laine

d'acier, feuilles d'aluminium, ou toute accumulation de particules métalliques doivent être maintenus à distance des orifices du chargeur. Débrancher systématiquement le chargeur lorsque le bloc-piles n'y est pas inséré. Débrancher systématiquement le chargeur avant tout entretien.

**Chargement du bloc-piles (Fig. C)**

1. Branchez le chargeur dans la prise appropriée avant d'y insérer le bloc-piles.

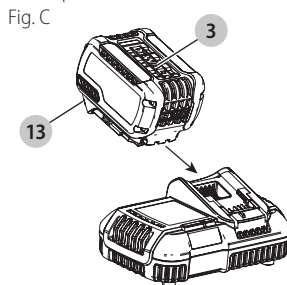


Fig. C

2. Insérer le bloc-piles **3** dans le chargeur, en vous assurant qu'il y est correctement calé. Le voyant rouge (charge) clignotera de façon continue indiquant que le cycle de chargement a commencé.
3. En fin de charge, le voyant rouge restera ALLUMÉ de façon continue. Le bloc-piles est alors complètement rechargé et peut être utilisé ou laissé dans le chargeur. Pour retirer le bloc-piles du chargeur, appuyez sur le bouton de libération du bloc-piles **13** sur le bloc-piles.

**REMARQUE :** pour assurer des performances optimales et une durée de vie maximale des blocs-piles au lithium-ion, recharger pleinement le bloc-piles avant toute utilisation initiale.

**Utilisation du chargeur**

Reportez-vous aux indications du tableau ci-dessous pour consulter le statut de charge du bloc-piles.

DCB101		
	Bloc-piles en Cours de Chargement	— — — — —
	Bloc-piles Chargé	—————
	Suspension de Charge Contre le Chaud/ Froid	— • — • — • — •
	Bloc-Pile ou Chargeur Défectueux	• • • • • • • •
DCB107, DCB112, DCB113, DCB115, DCB118, DCB132		
	Bloc-piles en Cours de Chargement	— — — — —
	Bloc-piles Chargé	—————
	Suspension de Charge Contre le Chaud/Froid*	— — — — —   —————

\*DCB107, DCB112, DCB113, DCB115, DCB118, DCB132: le voyant rouge ne cessera de clignoter, mais un voyant jaune restera allumé pendant cette opération. Lorsque le bloc-piles aura repris une température appropriée,



le voyant jaune s'éteindra et le chargeur reprendra sa procédure de charge.

Le chargeur ne pourront recharger des blocs-piles défectueux. Le chargeur indiquera qu'un bloc-piles est défectueux en refusant de s'allumer ou en affichant bloc-piles ou chargeur défectueux.

**REMARQUE** : cela pourra aussi indiquer un problème avec le chargeur.

Si le problème provient du chargeur, faites vérifier le chargeur et le bloc-piles chez un centre de réparation agréé.

### Fonction de suspension de charge contre le chaud/ froid

Lorsque le chargeur détecte un bloc-piles trop chaud ou trop froid, il démarre automatiquement la fonction de suspension de charge contre le chaud, suspendant le chargement jusqu'à ce que le bloc-piles ait repris une température appropriée. Le chargeur ensuite se remettra automatiquement en mode de chargement. Cette caractéristique assure aux blocs-piles une durée de vie maximale.

Un bloc-piles froid se rechargera moins vite qu'un bloc-piles chaud. Le bloc-piles se rechargera à ce rythme plus lent tout au cours du cycle de charge et ne retournera pas à sa vitesse maximale de charge même s'il venait à se réchauffer.

Le chargeur DCB118 est équipé d'un ventilateur interne destiné à refroidir le bloc-piles. Le ventilateur se mettra automatiquement en marche chaque fois que le bloc-piles aura besoin de se refroidir.

N'utilisez jamais le chargeur si le ventilateur ne fonctionne pas correctement ou si ses fentes d'aération sont bloquées. Protégez systématiquement l'intérieur du chargeur de tout objet étranger.

### Système de protection électronique

Les appareils au Li-Ion sont équipés d'un système électronique de protection pour protéger les blocs-piles de toute surcharge, surchauffe ou fuite importante.

L'appareil s'arrêtera automatiquement dès que le système électronique de protection sera activé. Si c'était le cas, placez le bloc-piles au lithium-ion sur son chargeur jusqu'à ce qu'il soit complètement rechargé.

## Installation murale

### DCB107, DCB112, DCB113, DCB115, DCB118, DCB132

Ces chargeurs ont été conçus pour une installation murale ou pour être posés sur une table ou une surface de travail. Pour une fixation murale, installez le chargeur à proximité d'une prise électrique, et à l'écart de coins ou de toute autre obstruction au passage de l'air. Utilisez l'arrière du chargeur pour marquer l'emplacement des vis de montage sur le mur. Fixez soigneusement le chargeur à l'aide de vis autoforeuses (vendues séparément) d'au moins 25,4 mm (1 po) de long, et de diamètre de tête de 7-9 mm (0,28-0,35 po), que vous visserez dans le bois en laissant une longueur optimale d'environ 5,5 mm (7/32 po) exposée. Alignez les orifices à l'arrière du chargeur sur les vis exposées et insérez à fond ces dernières dans les orifices.

## Instructions d'entretien du chargeur



**AVERTISSEMENT** : risques de chocs électriques. Débrancher le chargeur de la prise de courant alternatif avant tout entretien. Éliminer toute saleté ou graisse de la surface externe du chargeur à l'aide d'un chiffon ou d'une brosse non métallique douce. N'utiliser ni eau ni aucun nettoyeur liquide.

## Remarques importantes concernant le chargement

1. Pour augmenter la durée de vie du bloc-piles et optimiser son rendement, le recharger à une température ambiante de 18 ° à 24 °C (65 °F à 75 °F). NE PAS recharger le bloc-piles à une température inférieure à + 4,5 °C (+ 40 °F) ou supérieure à + 40 °C (+ 104 °F). C'est important pour prévenir tout dommage sérieux au bloc-piles.
2. Le chargeur et son bloc-piles peuvent devenir chauds au toucher pendant la charge. C'est normal et ne représente en aucun cas une défaillance du produit. Pour faciliter le refroidissement du bloc-piles après utilisation, éviter de laisser le chargeur ou le bloc-piles dans un local où la température ambiante est élevée comme dans un hangar métallique ou une remorque non isolée.
3. Si le bloc-piles ne se recharge pas correctement :
  - a. Vérifier le bon fonctionnement de la prise en y branchant une lampe ou tout autre appareil électrique.
  - b. Vérifier que la prise n'est pas contrôlée par un interrupteur qui coupe le courant lorsqu'on éteint les lumières.
  - c. Déplacer le chargeur et le bloc-piles dans un local où la température ambiante se trouve entre environ 18 ° et 24 °C (65 °F et 75 °F).
  - d. Si le problème persiste, amener l'outil, le bloc-piles et son chargeur dans un centre de réparation local.
4. Recharger le bloc-piles lorsqu'il ne produit plus assez de puissance pour effectuer un travail qu'il faisait facilement auparavant. NE PAS CONTINUER à l'utiliser dans ces conditions. Suivre la procédure de charge. Si nécessaire, il est aussi possible de recharger un bloc-piles partiellement déchargé sans effet nuisible sur le bloc-piles.
5. Les corps étrangers conducteurs tels que (mais pas limité à) poussières de rectification, débris métalliques, laine d'acier, feuilles d'aluminium, ou toute accumulation de particules métalliques doivent être maintenus à distance des orifices du chargeur. Débrancher systématiquement le chargeur lorsque le bloc-piles n'y est pas inséré. Débrancher systématiquement le chargeur avant tout entretien.
6. Ne pas congeler ou immerger le chargeur dans l'eau ou tout autre liquide.

## Recommandations de stockage

1. Le lieu idéal de rangement est un lieu frais et sec, à l'abri de toute lumière solaire directe et de toute température excessive.
2. Pour un stockage prolongé, il est recommandé d'entreposer le bloc-piles pleinement chargé dans un lieu frais et sec, hors du chargeur pour optimiser les résultats.

**REMARQUE :** les blocs-piles ne devraient pas être entreposés complètement déchargés. Il sera nécessaire de recharger le bloc-piles avant réutilisation.

### CONSERVER CES CONSIGNES POUR UTILISATION ULTÉRIEURE

#### DESCRIPTION (FIG. A)

**⚠ AVERTISSEMENT :** ne jamais modifier l'outil électrique ni aucun de ses composants, car il y a des risques de dommages corporels ou matériels.

Reportez-vous en figure A au début de ce manuel pour obtenir la liste complète des composants.

#### USAGE PRÉVU

Cette scie circulaire industrielle a été conçue pour la découpe professionnelle du bois. Ne découper aucun matériau en métal, plastique, béton, maçonnerie ou fibrociment.

**NE PAS** les utiliser en milieu ambiant humide ou en présence de liquides ou de gaz inflammables.

**NE PAS** le laisser à la portée des enfants. Une supervision est nécessaire auprès de tout utilisateur non expérimenté.

#### UTILISATION

**⚠ AVERTISSEMENT :** pour réduire le risque de blessures graves, éteindre l'outil et retirer le bloc-piles avant d'effectuer tout réglage et d'enlever ou d'installer tout accessoire. Un démarrage accidentel peut provoquer des blessures.

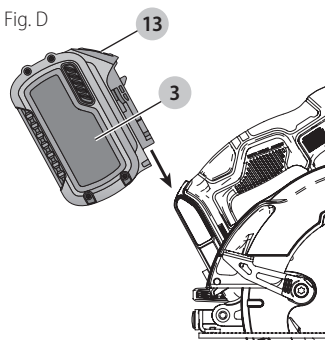
#### Installation et retrait du bloc-piles (Fig. D)

**REMARQUE :** pour des résultats optimaux, s'assurer que le bloc-piles est complètement chargé.

Pour installer le bloc-piles **3** dans la poignée de l'outil, alignez le bloc-piles sur les rails dans la poignée de l'outil et faites-le glisser fermement en place puis vérifiez qu'il ne se détache pas.

Pour retirer le bloc-piles de l'outil, poussez sur le bouton de libération **13** et tirez fermement le bloc-piles hors de la poignée de l'outil. Insérez-le dans son chargeur comme décrit dans la section appropriée de ce manuel.

Fig. D



#### Lampe de Travail (Fig. A)

**⚠ ATTENTION :** ne pas regarder directement le faisceau de la lampe. Risque de lésions oculaires graves.

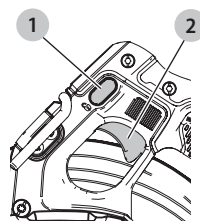
Une lampe de travail **15** est située juste sous le bouton de verrouillage de lame **11**. La lampe de travail est activée lorsque la gâchette sera activée et elle s'éteindra automatiquement 20 secondes après la désactivation de la gâchette. Tant que la gâchette reste activée, la lampe de travail reste allumée.

**REMARQUE :** la lampe de travail permet d'éclairer la surface immédiate et n'est pas destinée à servir de lampe de poche.

#### Gâchette (Fig. E)

**⚠ AVERTISSEMENT :** l'outil ne possède aucun verrouillage de gâchette en position de marche et ne devrait en aucune manière être verrouillé en MARCHE.

Fig. E



Relâchez le bouton de verrouillage **1** de la gâchette en appuyant sur le bouton comme illustré. Appuyez sur la gâchette **2** pour mettre le moteur en marche. Dégagez la gâchette pour arrêter le moteur.

#### Remplacement des lames (Fig. F, G, H)

**⚠ AVERTISSEMENT :** retirer le bloc-piles de l'outil avant de changer les lames.

##### Installation de la Lame (Fig. F, G, H)

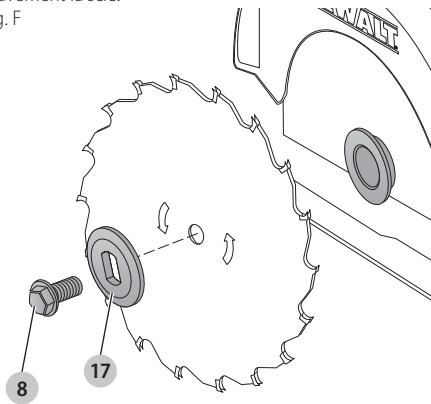
1. Rétractez le carter inférieur de lame **7** à l'aide du levier rétractant **6** de la lame inférieure et placez la lame sur la broche de la scie contre la rondelle de serrage interne, en vous assurant que la lame tournera dans le bon sens (le sens de la flèche de rotation sur la lame et les dents doit pointer dans la même direction que celle de la flèche de rotation sur le carter de lame inférieur). Ne pas assumer que le côté imprimé de la lame est toujours

face à l'utilisateur lorsqu'elle est installée correctement. Lorsqu'on escamote le protège-lame inférieur en vue d'installer la lame, le vérifier afin de s'assurer qu'il est en bon état et qu'il fonctionne correctement, c'est-à-dire, qu'il se déplace librement et qu'il ne touche pas à la lame ni à toute autre pièce quelconque, quel que soit l'angle ou la profondeur de coupe.

- Placer la rondelle de bride de serrage externe **16** sur la broche de scie, en s'assurant de placer la large surface plane contre la lame, et le côté biseauté vers l'extérieur.
- Vissez manuellement la vis de serrage de lame **8** sur la broche de scie (la vis possède un filetage vers la droite et doit être tournée vers la droite pour être resserrée).
- Appuyez sur le bouton de verrouillage de lame **11** tout en tournant la broche de la scie avec la clé pour lame **14** jusqu'à ce que le verrouillage de lame s'enclenche et que la lame cesse de tourner (Fig. G).
- Serrer fermement la vis de fixation au moyen de la clé de réglage.

**REMARQUE :** ne jamais engager le bouton de verrouillage de la lame lorsque la scie est en marche pour tenter d'arrêter l'outil. Ne jamais mettre l'outil en marche lorsque le bouton de verrouillage est engagé afin d'éviter d'endommager gravement la scie.

Fig. F



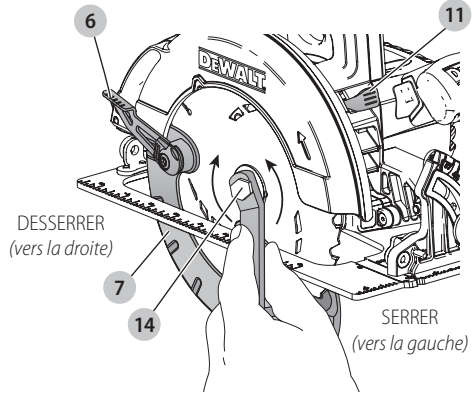
### Remplacement de la Lame (Fig. F, G)

- Pour desserrer la vis de serrage de lame **8**, appuyez sur le bouton de verrouillage de lame **11** et tournez la broche de la scie avec la clé pour lame **14** jusqu'à ce que le verrouillage de lame s'enclenche et que la lame cesse de tourner. Alors que le verrouillage de lame est activé, tournez la vis de serrage de lame vers la gauche avec la clé pour lame (la vis a un filetage vers la droite et doit être tournée vers la gauche pour être desserrée).
- Retirer la vis de fixation **8** et la rondelle de bride de serrage externe **16** seulement, puis enlever l'ancienne lame.
- Enlever la sciure qui aurait pu s'accumuler dans le protège-lame ou autour de la rondelle et vérifier le protège-lame inférieur afin de s'assurer qu'il est en bon état et qu'il fonctionne correctement, tel que décrit précédemment. Ne pas lubrifier cette zone.

- Choisir la lame qui convient à la tâche (voir la section **Lames** du présent guide). Toujours utiliser une lame de dimension (diamètre) appropriés munie d'un orifice de dimension et de forme appropriées en vue de leur installation sur la broche. Toujours s'assurer que la vitesse maximale recommandée (tr/min) indiquée sur la lame est égale ou supérieure à la vitesse (tr/min) de la scie.

- Suivre les étapes de 2–5 décrites à la section **Installation de la lame** du présent guide, en s'assurant que la lame tourne dans le bon sens.

Fig. G



### Protège-lame inférieur



**AVERTISSEMENT :** le protège-lame inférieur est un dispositif de sécurité destiné à réduire les risques de dommages corporels graves. Ne jamais utiliser la scie sans son protège-lame inférieur, ou s'il est endommagé, mal assemblé ou ne fonctionne pas correctement. Ne pas compter sur le protège-lame inférieur pour vous protéger en toute circonstance. Votre sécurité dépend autant du respect des avertissements et des précautions prises que de l'utilisation correcte de la scie. Vérifier que le protège-lame inférieur se ferme correctement avant chaque utilisation comme décrit dans la section **Consignes additionnelles de sécurité propres à toutes les scies**. Si le protège-lame inférieur manque ou ne fonctionne pas correctement, faire vérifier la scie avant toute utilisation. Pour assurer votre sécurité et la fiabilité du produit, toutes les opérations de réparation, d'entretien et de réglage doivent être effectuées dans un centre de service autorisé ou par du personnel qualifié en utilisant systématiquement des pièces de rechange identiques.

### Lames



**AVERTISSEMENT :** afin de réduire les risques de blessure aux yeux, toujours porter des lunettes de protection. Le carbure est un matériel dur, mais fragile, et les matières étrangères présentes dans la pièce, comme les fils ou les clous, peuvent fendre ou briser les

## FRANÇAIS

*pointes. Ne jamais faire fonctionner l'outil lorsque le protège-lame n'est pas en place. S'assurer que la lame est installée et bien fixée et qu'elle tourne correctement avant d'utiliser l'outil. Toujours utiliser une lame propre et bien aiguisée.*



**AVERTISSEMENT :** ne découper aucun matériau en métal, plastique, béton, maçonnerie ou fibrociment avec cette scie.

Ne pas utiliser de meules ou de lames abrasives. Une lame émoussée ralentira la coupe et la rendra inefficace, surchargera le moteur, provoquera des éclats de matériau et augmentera les risques de rebonds. Veuillez vous reporter au tableau ci-après pour déterminer la taille correcte de la lame de rechange propre à votre modèle de scie.

### LES REMPLACER AU BESOIN

Montures combinées -	Orifice d'arbre de 5/8 po de dia.; 24 dents. Lame rapide tout usage pour coupes en long et transversales
Bois vert / traité sous pression -	Orifice d'arbre de 5/8 po de dia.; 20 dents. Enduit de protection contre l'accumulation de gomme durcie
Durabilité extrême -	Orifice d'arbre de 5/8 po de dia.; 18 dents. Carbure refroidie, à roche
Fini -	Orifice d'arbre de 5/8 po de dia.; 36 dents. Plus de dents pour un meilleur fini.
Montures pour coupes rapides -	Orifice d'arbre de 5/8 po de dia.; 18 dents. Lame rapide pour coupes en long et transversales

Pour obtenir plus d'information sur les lames, veuillez communiquer avec DeWALT au 1 800 433-9258 (1 800 4-DeWALT).

## Rebond

Le rebond est une réaction subite (causée par une lame de scie pincée, coincée ou mal alignée) qui peut entraîner le soulèvement d'une scie non contrôlée, sa sortie de l'ouvrage et sa projection en direction de l'utilisateur. Si la lame est pincée ou coincée fortement pendant l'abaissement de la scie, la lame se cale et le moteur réagit en entraînant rapidement l'outil vers l'arrière dans la direction de l'opérateur. Si la lame se tord ou perd son alignement correct au cours de la coupe, les dents sur le bord arrière de la lame peuvent entamer la surface supérieure du bois, forçant ainsi la lame à sortir du trait de scie et à « sauter » vers l'arrière en direction de l'opérateur.

Les situations suivantes présentent des risques de rebond.

### 1. MAUVAIS SOUTIEN DE LA PIÈCE À DÉCOUPER

- L'affaissement ou le mauvais soutien de la pièce découpée peut causer le blocage de la lame.
- Le découpage d'un matériau seulement soutenu à l'extrémité externe (Fig. O) fait affaisser le matériau

à-mesure qu'il s'affaiblit, refermant ainsi la rainure et bloquant la lame.

- Le découpage d'une pièce en porte-à-faux ou en saillie à partir du bas vers le haut, à la verticale, provoque le blocage de la lame lorsque la pièce découpée tombe.
- Le découpage de longues bandes étroites (coupes en refente) peut causer l'affaissement ou la torsion de la bande bloquant ainsi la rainure et coinçant la lame.
- L'accrochage du protecteur inférieur sur la surface sous le matériau peut réduire momentanément la maîtrise de l'utilisateur sur l'outil. La scie peut alors sortir en partie de la pièce augmentant le risque de torsion de la lame.

### 2. RÉGLAGE INCORRECT DE LA PROFONDEUR DE COUPE

- Pour effectuer une coupe optimale, la lame ne devrait pas dépasser de plus d'une demi-dent, comme illustré en Figure I. Cela permet au patin de soutenir la lame et de minimiser tout grippage ou pinçage du matériau. Se reporter à la section intitulée **Réglage de la profondeur de coupe.**

### 3. TORSION DE LA LAME (COUPE MAL ALIGNÉE)

- Le fait de pousser fort pour découper un noeud, un clou ou une section à grain dur peut provoquer la torsion de la lame.
- Lorsqu'on essaie de faire dévier la scie pendant le découpage (pour revenir dans la ligne de coupe) peut également provoquer la torsion de la lame.
- Le fait de s'étirer hors de sa portée ou de ne pas garder son équilibre peut causer la torsion de la lame.
- Le changement de position des mains ou du corps pendant la coupe peut provoquer la torsion de la lame.
- Le retrait de la scie pour dégager la lame peut faire tordre la lame.

### 4. MATÉRIAUX PRÉSENTANT DES RISQUES

- Le bois qui est humide.
- Le bois vert; qui est frais coupé ou qui n'est pas encore passé au séchoir.
- Le bois qui est traité à la pression (traité avec des agents de conservation ou des produits chimiques contre la moisissure).

### 5. UTILISATION DE LAMES ÉMOUSSÉES OU SALES

- Les lames émoussées augmentent la charge de la scie. Pour compenser, l'utilisateur pousse habituellement fort ce qui charge un peu plus la scie et occasionne la torsion de la lame dans la rainure. Les lames usées n'ont pas suffisamment de jeu ce qui augmente les risques de piége et de surcharge.

### 6. RETRAIT DE LA SCIE PENDANT LES COUPES EN BISEAU

- Les coupes en biseau doivent être faites en respectant un certain nombre de techniques, particulièrement le guidage de la scie. En effet, l'angle de la lame au patin et la grande surface de

la lame sur le matériau augmentent les risques de pliage et de torsion.

## 7. REDÉMARRAGE D'UNE COUPE AVEC LES DENTS DE LA LAME COINCÉES DANS LE MATÉRIAU

- a. Il faut attendre que la scie atteigne son plein régime avant de commencer à découper ou avant de remettre la scie en marche. Autrement, la scie peut caler ou rebondir.

Toute autre condition pouvant avoir comme résultat le pincement, le grippage, la torsion ou le mésalignement de la lame pourra causer des rebonds. Se reporter aux sections

**Consignes additionnelles de sécurité propres à toutes les scies** et **Lames** pour les procédures et techniques de minimisation des risques de rebonds.

## Réglage de la profondeur de coupe (Fig. A, H, I)

1. Maintenez la scie fermement et desserrez (vers la droite) le levier de réglage de profondeur **4** puis déplacez le patin (**5**, Fig. A) pour obtenir la profondeur de coupe désirée.
2. Assurez-vous que le levier de réglage de profondeur a bien été resserré (vers la gauche) avant de réutiliser la scie.

Pour une coupe optimale, réglez le réglage de profondeur de façon à ce qu'une demi-dent de lame dépasse sous le matériau à découper. Il s'agit de la distance entre la pointe de la dent de lames et le creux la précédant. Cela permet de minimiser la friction de lame, d'éliminer la sciure de la coupe, de maintenir la température de sciage basse et une vitesse de sciage rapide tout en réduisant les risques de rebonds. Une méthode de vérification de la profondeur de coupe correcte est illustrée en Figure I. Posez un morceau du matériau à découper sur le côté de la lame, comme illustré, et vérifiez la longueur de dent dépassant du matériau.

Fig. H

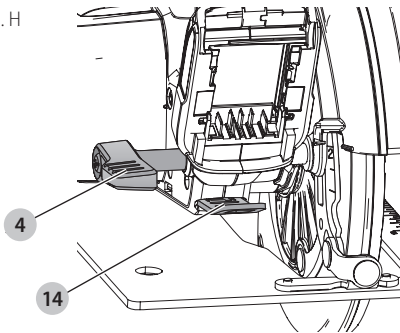
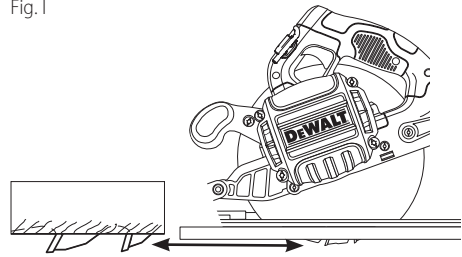


Fig. I



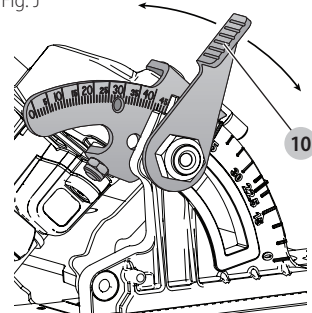
## Réglage de l'angle de biseau (Fig. A, J)

La plage complète des angles de biseau s'étend entre 0 et 50 degrés; le réglage s'effectue par échelons de 1 degré. À l'avant de la scie se trouve le mécanisme de réglage d'angle de biseau représenté par un cadran étalonné et un levier de réglage de biseau **10**.

### Pour effectuer le réglage de l'angle de biseau :

1. Desserrez (vers la gauche) le levier de réglage de biseau **10** et inclinez le patin (**5**, Fig. A) sur l'angle désiré en alignant l'index sur le repère d'angle voulu.
2. Resserrez le levier fermement (vers la droite).

Fig. J

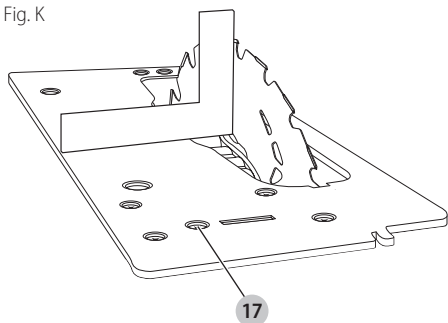


## Réglage du patin pour les coupes de 90° (Fig. J, K)

### Si un réglage supplémentaire s'avère nécessaire, on doit:

1. Régler la scie à un angle de biseau de 0°;
2. Rétractez le protège-lame inférieur. Placez la scie sur le côté lame.
3. Desserrez le levier de réglage de biseau (**10**, Fig. J), puis placer une équerre contre la lame et le patin pour régler l'angle à 90°;
4. Tournez la vis de calibrage **17** de façon à ce que le patin s'arrête sur l'angle voulu.
5. Confirmer la précision du réglage en vérifiant la perpendicularité d'une coupe qu'on a effectuée sur un matériel de retaille.

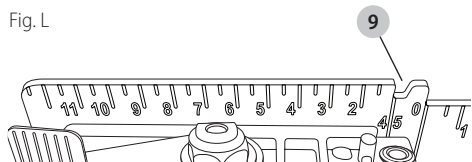
Fig. K



### Indicateur de trait de scie (Fig. L)

La partie avant du patin est munie d'un indicateur de trait de scie 9 pour les coupes verticales et en biseau. Cet indicateur permet à l'opérateur de guider la scie le long des lignes de coupe tracées au crayon sur la pièce. L'indicateur de trait de scie s'aligne sur le côté gauche (interne) de la lame de scie, ce qui fait tomber la rainure ou « trait de scie » effectué par la lame en mouvement sur la droite de l'indicateur. Guidez la scie le long du tracé de coupe de façon à ce que le trait tombe du côté du surplus de matériau.

Fig. L



### Support de la pièce (Fig. M–O)

**⚠ AVERTISSEMENT :** Il est important de bien soutenir la pièce et de tenir fermement la scie afin d'éviter de perdre la maîtrise de l'outil et de se blesser. La Figure M illustre la bonne façon de soutenir et de tenir la scie. Tenir fermement l'outil des deux mains et placer le corps et les bras de manière à pouvoir résister les effets du rebond, le cas échéant. **TOUJOURS METTRE L'OUTIL HORS TENSION ET RETIRER LE BLOC-PILES AVANT D'EFFECTUER UN RÉGLAGE!**

La Figure M illustre la position de sciage appropriée. Les mains doivent être tenues éloignées de la zone de coupe.

**Pour éviter l'effet de rebond,** TOUJOURS soutenir la planche ou le panneau PRÈS de la ligne de coupe (Fig. N), JAMAIS loin de celle-ci (Fig. O).

Placer la pièce de manière à ce que le « bon » côté (celui dont l'apparence importe le plus) soit vers le bas; puisque la scie coupe vers le haut, le matériau produira des éclats dans cette direction.

Fig. M

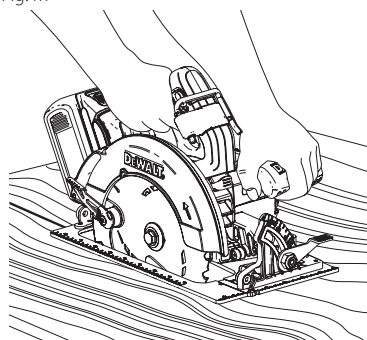


Fig. N

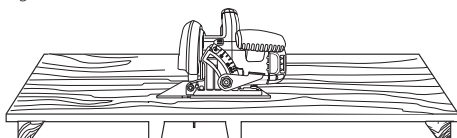
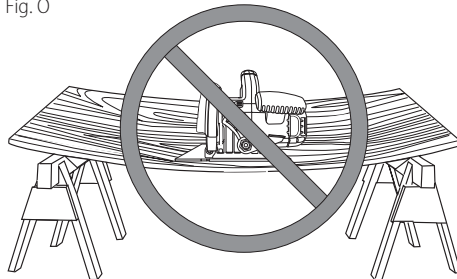


Fig. O



### Coupage (Fig. M)

Placer la section la plus large du patin sur la section solidement soutenue du matériau, non sur celle qui se détachera. Par exemple, la Figure M illustre la façon CORRECTE de couper l'extrémité d'une planche. Toujours fixer la pièce. Ne jamais tenir les planches plus courtes avec les mains! Bien soutenir les pièces en saillie ou en porte-à-faux et prendre les précautions nécessaires lorsqu'on coupe un matériau sur le dessous.

S'assurer que la scie atteigne sa vitesse maximale avant de placer la lame sur le matériau, car on peut engendrer un rebond si on démarre la scie alors qu'elle touche le matériau ou si on la pousse dans une entaille. Faire avancer la scie à une vitesse qui permet à la lame de couper sans trop forcer.

La dureté et la résilience d'un matériau peuvent varier d'une section à l'autre; les sections noueuses ou humides peuvent aussi surcharger l'outil. Lorsque cela se produit, pousser la scie plus lentement en s'assurant d'exercer assez de pression pour continuer à travailler sans trop réduire la vitesse. Si on force l'outil, on risque d'obtenir des coupes rugueuses ou inexactes, de causer des rebonds ou de faire surchauffer le moteur.

Si la coupe sort de son alignement, n'essayez pas de forcer l'outil pour le réaligner. Relâchez la gâchette et attendez l'arrêt complet de la lame, puis soulevez la scie, réalignez-la

et recommencez à couper partiellement dans la mauvaise coupe. Sortez la scie du trait pour changer la direction de coupe. Le fait de vouloir corriger la direction de coupe dans le trait de scie lui-même pourra faire caler la scie et entraîner des rebonds.

SI LA SCIE VENAIT À CALER, RELÂCHEZ LA GÂCHETTE PUIS FAITES RECULER LA SCIE POUR LA DÉGAGER. ASSUREZ-VOUS QUE LA LAME EST ALIGNÉE SUR LA COUPE ET AU-DELÀ DU BORD DE COUPE AVANT DE REMETTRE LA SCIE EN MARCHÉ.

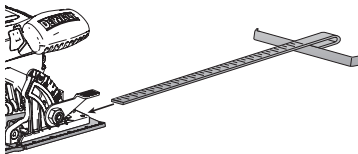
En fin de coupe, relâchez la gâchette et laissez la lame s'arrêter complètement avant de soulever la scie du travail. Lorsque vous soulevez la scie, le protège-lame inférieur à ressort se refermera automatiquement sur la lame. Rappelez-vous que tant que ceci n'est pas fait, la lame est à nu, aussi ne passez jamais les doigts sous le matériau pour quelque raison que ce soit. Si vous devez rétracter manuellement le protège-lame inférieur (comme pour commencer des coupes internes par exemple), utilisez systématiquement le levier rétractant.

**⚠ AVERTISSEMENT :** pour découper des bandes, s'assurer que des petits rebuts ne s'accrochent pas sur l'intérieur du protège-lame inférieur.

### Coupes en long (Fig. P)

Une coupe en long consiste à couper de larges panneaux en bandes plus étroites (couper dans le sens du grain). Il est plus difficile de guider manuellement ce genre de coupe, et l'utilisation d'un guide longitudinal DeWALT, est recommandée.

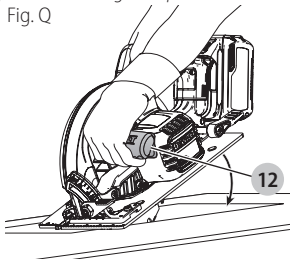
Fig. P



### Coupe effectuée à partir de l'intérieur d'un matériau (Fig. Q)

**⚠ AVERTISSEMENT :** ne jamais bloquer le protège-lame inférieur en position haute. Ne jamais déplacer la scie vers l'arrière pendant une coupe interne. Cela pourrait faire sortir la scie de la surface de travail et poser des risques de dommages corporels.

Fig. Q



On effectue une coupe interne dans un plancher, un mur ou toute autre surface plane.

1. Régler le patin afin d'obtenir la profondeur de coupe voulue.
2. Pencher la scie vers l'avant et appuyer le devant du patin sur le matériau à couper.
3. À l'aide du levier rétractant du protège-lame inférieur, rétractez le protège-lame inférieur vers le haut. Abaissez l'arrière du patin jusqu'à ce que les dents de scie touchent légèrement la ligne de coupe.
4. Relâchez le protège-lame inférieur (son contact avec la pièce le maintiendra en position ouverte alors que vous commencerez la coupe). Retirez la main du levier rétractant du protège-lame inférieur et agrippez fermement la poignée auxiliaire **12**, comme illustré en Figure Q. Positionnez corps et bras de façon à pouvoir résister à tout rebond possible.
5. S'assurer que la lame n'est pas en contact avec la surface de coupe avant de démarrer le moteur.
6. Démarrer le moteur et baisser graduellement la scie jusqu'à ce que le patin repose à plat sur la surface. Faire avancer la scie le long de la ligne de coupe jusqu'à ce que cette dernière soit terminée.
7. Relâchez la gâchette et laissez la lame s'arrêter complètement avant de retirer la lame du matériau.
8. Pour commencer toute nouvelle coupe, répétez la procédure ci-dessus.

### Crochet de suspension (Fig. A)

**⚠ AVERTISSEMENT :** Afin de réduire le risque de blessure corporelle grave, ne pas utiliser le crochet de suspension de l'outil pour suspendre l'outil à partir de votre corps. NE PAS utiliser le crochet de suspension pour attacher ou sécuriser l'outil à une personne ou un objet durant l'utilisation. NE PAS suspendre l'outil au plafond ou suspendre des objets à partir du crochet de suspension.

**⚠ AVERTISSEMENT :** Afin de réduire le risque de blessure due à la chute de la scie circulaire sur les utilisateurs ou les passants, assurez-vous qu'elle est soutenue de façon sécuritaire lorsque le crochet de suspension est utilisé ou repose dans un endroit sécuritaire et stable lorsqu'il n'est pas utilisé. Assurez-vous de maintenir la zone au-dessous dégagée afin réduire le risque de chute de l'outil ou de matériel et que cela frappe quelqu'un ou quelque chose au-dessous.

La scie circulaire a un crochet de suspension pratique **16** qui permet de la suspendre sur une structure stable appropriée entre les utilisations. Le crochet de suspension n'est pas fait pour attacher ou sécuriser l'outil à une personne ou un objet durant l'utilisation en position élevée.

### MAINTENANCE

**⚠ AVERTISSEMENT :** pour réduire le risque de blessures graves, éteindre l'outil et retirer le bloc-piles avant d'effectuer tout réglage et d'enlever ou d'installer tout accessoire. Un démarrage accidentel peut provoquer des blessures.

## Nettoyage



**AVERTISSEMENT :** *enlever les saletés et la poussière hors des événements au moyen d'air comprimé propre et sec, au moins une fois par semaine. Pour minimiser le risque de blessure aux yeux, toujours porter une protection oculaire conforme à la norme ANSI Z87.1 lors du nettoyage.*



**AVERTISSEMENT :** *ne jamais utiliser de solvants ni d'autres produits chimiques puissants pour nettoyer les pièces non métalliques de l'outil. Ces produits chimiques peuvent affaiblir les matériaux de plastique utilisés dans ces pièces. Utiliser un chiffon humecté uniquement d'eau et de savon doux. Ne jamais laisser de liquide pénétrer dans l'outil et n'immerger aucune partie de l'outil dans un liquide.*

## Accessoires



**AVERTISSEMENT :** *puisque les accessoires autres que ceux offerts par DeWALT n'ont pas été testés avec ce produit, leur utilisation pourrait s'avérer dangereuse. Pour réduire le risque de blessures, utiliser exclusivement les accessoires DeWALT recommandés avec le présent produit.*

Les accessoires recommandés pour cet outil sont vendus séparément au centre de service de votre région. Pour obtenir de l'aide concernant l'achat d'un accessoire, communiquer avec DeWALT Industrial Tool Co., 701 East Joppa Road, Towson, MD 21286 aux États-Unis; composer le 1 800 433-9258 (1 800 4-DeWALT) ou visiter notre site Web : [www.dewalt.com](http://www.dewalt.com).

## Réparations

Le chargeur et le bloc-piles ne sont pas réparables.



**AVERTISSEMENT :** *pour assurer la SÉCURITÉ et la FIABILITÉ du produit, les réparations, l'entretien et les réglages doivent être réalisés (cela comprend l'inspection et le remplacement du balai) par un centre de réparation en usine DeWALT ou un centre de réparation agréé DeWALT. Toujours utiliser des pièces de rechange identiques.*

## Registre en ligne

Merci pour votre achat. Enregistrez dès maintenant votre produit :

- **RÉPARATIONS SOUS GARANTIE :** cette carte remplie vous permettra de vous prévaloir du service de réparations sous garantie de façon plus efficace dans le cas d'un problème avec le produit.
- **CONFIRMATION DE PROPRIÉTÉ :** en cas de perte provoquée par un incendie, une inondation ou un vol, cette preuve de propriété vous servira de preuve auprès de votre compagnie d'assurances.
- **SÉCURITÉ :** l'enregistrement de votre produit nous permettra de communiquer avec vous dans l'éventualité peu probable de l'envoi d'un avis de sécurité régi par la loi fédérale américaine de la protection des consommateurs.

Registre en ligne à [www.dewalt.com/register](http://www.dewalt.com/register).

## Garantie limitée de trois ans

DeWALT réparera, sans frais, tout produit défectueux causé par un défaut de matériel ou de fabrication pour une période de trois ans à compter de la date d'achat. La présente garantie ne couvre pas les pièces dont la défectuosité a été causée par une usure normale ou l'usage abusif de l'outil. Pour obtenir de plus amples renseignements sur les pièces ou les réparations couvertes par la présente garantie, visiter le site [www.dewalt.com](http://www.dewalt.com) ou composer le 1 800 433-9258 (1 800 4-DeWALT). Cette garantie ne s'applique pas aux accessoires et ne vise pas les dommages causés par des réparations effectuées par un tiers. Cette garantie confère des droits légaux particuliers à l'acheteur, mais celui-ci pourrait aussi bénéficier d'autres droits variant d'un état ou d'une province à l'autre. En plus de la présente garantie, les outils DeWALT sont couverts par notre :

### CONTRAT D'ENTRETIEN GRATUIT D'UN AN

DeWALT entretiendra l'outil et remplacera les pièces usées au cours d'une utilisation normale et ce, gratuitement, pendant une période d'un an à compter de la date d'achat.

### CONTRAT D'ENTRETIEN GRATUIT DE DEUX ANS SUR LES BLOC-PILES DeWALT

DC9071, DC9091, DC9096, DC9182, DC9280, DC9360, DCB120, DCB127, DCB201, DCB203, DCB203BT, DCB207, DCB361

### CONTRAT D'ENTRETIEN GRATUIT DE TROIS ANS SUR LES BLOC-PILES DeWALT

DCB200, DCB204, DCB204BT, DCB205, DCB606

**REMARQUE :** La garantie de ce produit sera annulée si le bloc-piles a été altéré de quelque façon que ce soit. DeWALT ne peut être tenu responsable de tout dommage corporel causé par l'altération du produit et pourra poursuivre toute fraude en matière de garantie dans toute l'étendue permise par la loi.

### GARANTIE DE REMBOURSEMENT DE 90 JOURS

Si l'acheteur n'est pas entièrement satisfait, pour quelque raison que ce soit, du rendement de l'outil électrique, du laser ou de la cloueuse DeWALT, celui-ci peut le retourner, accompagné d'un reçu, dans les 90 jours à compter de la date d'achat pour obtenir un remboursement intégral, sans aucun problème.

**AMÉRIQUE LATINE :** cette garantie ne s'applique aux produits vendus en Amérique latine. Pour ceux-ci, veuillez consulter les informations relatives à la garantie spécifique présente dans l'emballage, appeler l'entreprise locale ou consulter le site Web pour les informations relatives à cette garantie.

### REMPLACEMENT GRATUIT DES ÉTIQUETTES

**D'AVERTISSEMENT :** si les étiquettes d'avertissement deviennent illisibles ou sont manquantes, composer le 1 800 433-9258 (1 800 4-DeWALT) pour en obtenir le remplacement gratuit.



## Definiciones: Símbolos y palabras de alerta de seguridad

Este manual de instrucciones utiliza los siguientes símbolos y palabras de alerta de seguridad para alertarle de situaciones peligrosas y del riesgo de lesiones corporales o daños materiales.



**PELIGRO:** Indica una situación de peligro inminente que, si no se evita, provocará **la muerte o lesiones graves**.



**ADVERTENCIA:** Indica una situación de peligro potencial que, si no se evita, **podría provocar la muerte o lesiones graves**.



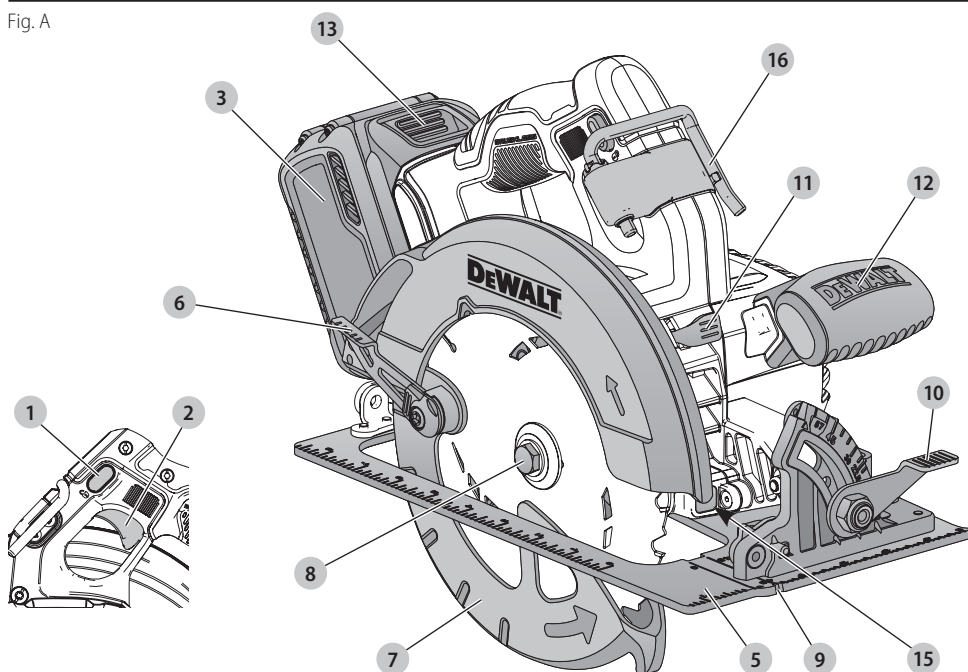
**ATENCIÓN:** Indica una situación de peligro potencial que, si no se evita, **posiblemente provocaría lesiones leves o moderadas**.



(Utilizado sin palabras) indica un mensaje de seguridad relacionado.

**AVISO:** Se refiere a una práctica **no relacionada a lesiones corporales** que de no evitarse **puede resultar en daños a la propiedad**.

Fig. A



- 1 Botón de bloqueo del interruptor tipo gatillo
- 2 Conmutador tipo gatillo
- 3 Unidad de batería
- 4 Palanca de ajuste de profundidad (Fig. H)
- 5 Base
- 6 Palanca retractable del protector de la hoja inferior
- 7 Protector de la hoja inferior
- 8 Tornillo de fijación de la hoja
- 9 Indicador de la vía del corte
- 10 Palanca de ajuste del bisel
- 11 Botón de bloqueo de la hoja (no aparece ilustrado)
- 12 Mango auxiliar
- 13 Botón de liberación de la batería
- 14 Llave de la hoja (Fig. H)
- 15 Luz de trabajo
- 16 Gancho para colgar



**¡ADVERTENCIA!** Lea todas las advertencias de seguridad e instrucciones. El incumplimiento de las advertencias e instrucciones puede provocar descargas eléctricas, incendios o lesiones graves.



**ADVERTENCIA:** Para reducir el riesgo de lesiones, lea el manual de instrucciones.

Si tiene alguna duda o algún comentario sobre esta u otra herramienta DeWALT, llámenos al número gratuito: 1-800-4-DeWALT (1-800-433-9258).

## ADVERTENCIAS GENERALES DE SEGURIDAD PARA HERRAMIENTAS ELÉCTRICAS



**¡ADVERTENCIA!** Lea todas las advertencias de seguridad e instrucciones. El incumplimiento de las advertencias e instrucciones puede provocar descargas eléctricas, incendios o lesiones graves.

### CONSERVE TODAS LAS ADVERTENCIAS E INSTRUCCIONES PARA FUTURAS CONSULTAS

El término "herramienta eléctrica" incluido en las advertencias hace referencia a las herramientas eléctricas operadas con corriente (con cable eléctrico) o a las herramientas eléctricas operadas con baterías (inalámbricas).

#### 1) Seguridad en el Área de Trabajo

- Mantenga el área de trabajo limpia y bien iluminada.** Las áreas abarrotadas y oscuras propician accidentes.
- No opere las herramientas eléctricas en atmósferas explosivas, como ambientes donde haya polvo, gases o líquidos inflamables.** Las herramientas eléctricas originan chispas que pueden encender el polvo o los vapores.
- Mantenga alejados a los niños y a los espectadores de la herramienta eléctrica en funcionamiento.** Las distracciones pueden provocar la pérdida de control.

#### 2) Seguridad Eléctrica

- No enchufes de la herramienta eléctrica deben adaptarse al tomacorriente. Nunca modifique el enchufe de ninguna manera. No utilice ningún enchufe adaptador con herramientas eléctricas con conexión a tierra.** Los enchufes no modificados y que se adaptan a los tomacorrientes reducirán el riesgo de descarga eléctrica.
- Evite el contacto corporal con superficies con descargas a tierra como, por ejemplo, tuberías, radiadores, cocinas eléctricas y refrigeradores.** Existe mayor riesgo de descarga eléctrica si su cuerpo está puesto a tierra.
- No exponga las herramientas eléctricas a la lluvia o a condiciones de humedad.** Si entra agua a una herramienta eléctrica, aumentará el riesgo de descarga eléctrica.
- No maltrate el cable. Nunca utilice el cable para transportar, tirar o desenchufar la herramienta eléctrica. Mantenga el cable alejado del calor, el aceite, los bordes filosos y las piezas móviles.** Los cables dañados o enredados aumentan el riesgo de descarga eléctrica.
- Al operar una herramienta eléctrica en el exterior, utilice un cable prolongador adecuado para tal uso.** Utilice un cable adecuado para uso en exteriores a fin de reducir el riesgo de descarga eléctrica.
- Si el uso de una herramienta eléctrica en un lugar húmedo es imposible de evitar, utilice**

**un suministro protegido con un interruptor de circuito por falla a tierra (GFCI).** El uso de un GFCI reduce el riesgo de descargas eléctricas.

#### 3) Seguridad Personal

- Permanezca alerta, controle lo que está haciendo y utilice el sentido común cuando emplee una herramienta eléctrica. No utilice una herramienta eléctrica si está cansado o bajo el efecto de drogas, alcohol o medicamentos.** Un momento de descuido mientras se opera una herramienta eléctrica puede provocar lesiones personales graves.
- Utilice equipos de protección personal. Siempre utilice protección para los ojos.** En las condiciones adecuadas, el uso de equipos de protección, como máscaras para polvo, calzado de seguridad antideslizante, cascos o protección auditiva, reducirá las lesiones personales.
- Evite el encendido por accidente. Asegúrese de que el interruptor esté en la posición de apagado antes de conectarlo a la fuente de energía o paquete de baterías, o antes de levantar o transportar la herramienta.** Transportar herramientas eléctricas con el dedo apoyado en el interruptor o enchufar herramientas eléctricas con el interruptor en la posición de encendido puede propiciar accidentes.
- Retire la clavija de ajuste o la llave de tuercas antes de encender la herramienta eléctrica.** Una llave de tuercas o una clavija de ajuste que quede conectada a una pieza giratoria de la herramienta eléctrica puede provocar lesiones personales.
- No se estire. Conserve el equilibrio y párese adecuadamente en todo momento.** Esto permite un mejor control de la herramienta eléctrica en situaciones inesperadas.
- Use la vestimenta adecuada. No use ropas holgadas ni joyas. Mantenga el cabello, la ropa y los guantes alejados de las piezas en movimiento.** Las ropas holgadas, las joyas o el cabello largo pueden quedar atrapados en las piezas en movimiento.
- Si se suministran dispositivos para la conexión de accesorios con fines de recolección y extracción de polvo, asegúrese de que estén conectados y que se utilicen correctamente.** El uso de dispositivos de recolección de polvo puede reducir los peligros relacionados con el polvo.

#### 4) Uso y Mantenimiento de la Herramienta Eléctrica

- No fuerce la herramienta eléctrica. Utilice la herramienta eléctrica correcta para el trabajo que realizará.** Si se la utiliza a la velocidad para la que fue diseñada, la herramienta eléctrica correcta permite trabajar mejor y de manera más segura.
- No utilice la herramienta eléctrica si no puede encenderla o apagarla con el interruptor.** Toda

herramienta eléctrica que no pueda ser controlada mediante el interruptor es peligrosa y debe repararse.

- c) **Desconecte el enchufe de la fuente de energía o el paquete de baterías de la herramienta eléctrica antes de realizar ajustes, cambiar accesorios o almacenar la herramienta eléctrica.** Estas medidas de seguridad preventivas reducen el riesgo de encender la herramienta eléctrica en forma accidental.
- d) **Guarde la herramienta eléctrica que no esté en uso fuera del alcance de los niños y no permita que otras personas no familiarizadas con ella o con estas instrucciones operen la herramienta.** Las herramientas eléctricas son peligrosas si son operadas por usuarios no capacitados.
- e) **Realice el mantenimiento de las herramientas eléctricas. Revise que no haya piezas en movimiento mal alineadas o trabadas, piezas rotas o cualquier otra situación que pueda afectar el funcionamiento de la herramienta eléctrica. Si encuentra daños, haga reparar la herramienta eléctrica antes de utilizarla.** Se producen muchos accidentes a causa de las herramientas eléctricas que carecen de un mantenimiento adecuado.
- f) **Mantenga las herramientas de corte afiladas y limpias.** Las herramientas de corte con mantenimiento adecuado y con los bordes de corte afilados son menos propensas a trabarse y son más fáciles de controlar.
- g) **Utilice la herramienta eléctrica, los accesorios y las brocas de la herramienta, etc. de acuerdo con estas instrucciones y teniendo en cuenta las condiciones de trabajo y el trabajo que debe realizarse.** El uso de la herramienta eléctrica para operaciones diferentes de aquellas para las que fue diseñada podría originar una situación peligrosa.

## 5) Uso y Mantenimiento de la Herramienta con Baterías

- a) **Recargue solamente con el cargador especificado por el fabricante.** Un cargador adecuado para un tipo de paquete de baterías puede originar riesgo de incendio si se utiliza con otro paquete de baterías.
- b) **Utilice herramientas eléctricas sólo con paquetes de baterías específicamente diseñados.** El uso de cualquier otro paquete de baterías puede producir riesgo de incendio y lesiones.
- c) **Cuando no utilice el paquete de baterías, manténgalo lejos de otros objetos metálicos como sujetapapeles, monedas, llaves, clavos, tornillos u otros objetos metálicos pequeños que puedan realizar una conexión desde un terminal al otro.** Los cortocircuitos en los terminales de la batería pueden provocar quemaduras o incendio.
- d) **En condiciones abusivas, el líquido puede ser expulsado de la batería. Evite su contacto. Si entra en contacto accidentalmente, enjuague**

**con agua. Si el líquido entra en contacto con los ojos, busque atención médica.** El líquido expulsado de la batería puede provocar irritación o quemaduras.

## 6) Mantenimiento

- a) **Solicite a una persona calificada en reparaciones que realice el mantenimiento de su herramienta eléctrica y que sólo utilice piezas de repuesto idénticas.** Esto garantizará la seguridad de la herramienta eléctrica.

## Instrucciones de seguridad para todas las sierras

### PROCEDIMIENTOS DE CORTE

- a) **▲PELIGRO: Mantenga las manos alejadas del área y de la hoja de corte. Mantenga la otra mano en el mango auxiliar o en la caja del motor.** Si ambas manos están sujetando la sierra, entonces no podrán ser cortadas por la sierra.
- b) **No ponga las manos debajo de la pieza de trabajo.** El protector no puede protegerle de la hoja debajo de la pieza de trabajo.
- c) **Ajuste la profundidad de corte al grosor de la pieza de trabajo.** Menos de un diente completo de los dientes de la hoja debe ser visible debajo de la pieza de trabajo.
- d) **No sujete nunca la pieza que esté cortando en las manos o atravesada sobre una pierna. Sujete firmemente la pieza de trabajo a una plataforma estable.** Es importante soportar apropiadamente la pieza de trabajo para minimizar la exposición del cuerpo, el atasco de la hoja o la pérdida de control.
- e) **Sujete la herramienta mecánica por las superficies de agarre con aislamiento cuando realice una operación en la que la herramienta de corte podría entrar en contacto con cables ocultos.** El contacto con un cable "con corriente" hará que las partes metálicas de la herramienta mecánica que estén al descubierto también "lleven corriente", lo cual causará descargas al operador.
- f) **Cuando corte al hilo, utilice siempre un tope-guía para cortar al hilo o una guía de borde recto.** Esto mejora la precisión del corte y reduce las probabilidades de que la hoja se atasque.
- g) **Utilice siempre hojas que tengan el tamaño correcto y la forma correcta (de diamante frente a redonda) de agujeros para el eje portaherramienta.** Las hojas que no coincidan con los herrajes de montaje de la sierra funcionarán excéntricamente, causando pérdida de control.
- h) **No use nunca arandelas de hoja o un perno de hoja que estén dañados o sean incorrectos.** Las arandelas y el perno de la hoja se diseñaron especialmente para su sierra, con el fin de lograr un rendimiento óptimo y una seguridad óptima de funcionamiento.

## Instrucciones de seguridad adicionales para todas las sierras

### Causas del retroceso y su prevención por el operador:

- El retroceso es una reacción repentina a una hoja de sierra pellizcada, atascada o desalineada, que hace que una sierra descontrolada se levante y se salga de la pieza de trabajo, hacia el operador.
- Cuando la hoja se pellizca o se atasca fuertemente al cerrarse la sección de corte, la hoja se para y la reacción del motor impulsa la unidad rápidamente hacia atrás, hacia el operador.
- Si la hoja se tuerce o se desalinea en el corte, los dientes ubicados en el borde trasero de la hoja pueden penetrar en la superficie superior de la madera, haciendo que la hoja trepe, se salga de la sección de corte y salte hacia atrás, hacia el operador.

El retroceso es el resultado de un uso inapropiado de la sierra y/o de procedimientos o situaciones de utilización incorrectos y se puede evitar tomando las precauciones apropiadas que se indican a continuación:

- a) **Mantenga un agarre firme con las dos manos en la sierra y posicione los brazos de modo que puedan resistir las fuerzas de retroceso.** Las fuerzas de retroceso pueden ser controladas por el operador, si se toman las precauciones adecuadas.
- b) **Cuando la hoja se esté atascando o cuando se interrumpa un corte por cualquier motivo, suelte el gatillo y sujete la sierra de modo que esté inmóvil en el material hasta que la hoja se detenga por completo. No intente nunca retirar la sierra de la pieza de trabajo ni tirar de la sierra hacia atrás mientras la hoja esté en movimiento o se podría producir retroceso.** Investigue y tome medidas correctivas para eliminar la causa de atasco de la hoja.
- c) **Cuando re arranque una sierra en la pieza de trabajo, centre la hoja de sierra en la sección de corte y asegúrese de que los dientes de la hoja de sierra no estén acoplados en el material.** Si la hoja de sierra se está atascando, podría desplazarse o experimentar retroceso respecto a la pieza de trabajo cuando se arranque la sierra.
- d) **Soporte los paneles grandes para minimizar el riesgo de que la hoja se pellizque y se produzca retroceso. Los paneles grandes tienden a combarse bajo su propio peso.** Se deben colocar soportes debajo del panel a ambos lados, cerca de la línea de corte y cerca del borde del panel.
- e) **No use hojas desafiladas o dañadas.** Las hojas desafiladas o con triscado inapropiado producen una sección de corte estrecha que causa fricción excesiva, atasco de la hoja y retroceso.
- f) **Las palancas de fijación de ajuste de la profundidad y del bisel de la hoja deben estar apretadas y sujetas firmemente antes de realizar el corte.** Si el ajuste de la hoja cambia mientras se

realiza el corte, dicho cambio podría causar atasco y retroceso.

- g) **Tenga precaución adicional cuando haga un “corte por penetración” en paredes existentes u otras áreas ciegas.** La hoja que sobresale podría cortar objetos que pueden causar retroceso.

## INSTRUCCIONES DE SEGURIDAD DEL FUNCIONAMIENTO DEL PROTECTOR INFERIOR

- a) **Compruebe el protector inferior para verificar si se cierra apropiadamente antes de cada uso. No utilice la sierra si el protector inferior no se mueve libremente y no se cierra instantáneamente. No sujete nunca con abrazaderas ni amarre el protector inferior en la posición abierta. Si la sierra se cae accidentalmente, el protector inferior se podría doblar.** Suba el protector inferior con el mango retráctil y asegúrese de que se mueve libremente y no toca la hoja ni ninguna otra pieza, en todos los ángulos y profundidades de corte.
- b) **Compruebe el funcionamiento del resorte del protector inferior. Si el protector y el resorte no están funcionando correctamente, se les debe hacer servicio de ajustes y reparaciones antes de la utilización.** El protector inferior podría funcionar con dificultad debido a que haya piezas dañadas, depósitos gomosos o una acumulación de residuos.
- c) **El protector inferior se debe retraer manualmente sólo para realizar cortes especiales, tales como “cortes por penetración” y “cortes compuestos”.** Suba el protector inferior por el mango retráctil y, en cuanto la hoja entre en el material, se debe soltar el protector inferior. Para todas las demás operaciones de aserrado, el protector inferior debe funcionar automáticamente.
- d) **Asegúrese siempre de que el protector inferior esté cubriendo la hoja antes de dejar la sierra en un banco de trabajo o en el piso. Una hoja que se esté moviendo por inercia hasta detenerse y no esté protegida hará que la sierra se desplace hacia atrás, cortando todo aquello que esté en su camino.** Tenga en cuenta el tiempo que se requiere para que la hoja se detenga después de soltar el interruptor.

## Instrucción Adicional de Seguridad



**ADVERTENCIA:** Use SIEMPRE lentes de seguridad. Los anteojos de diario NO SON lentes de seguridad. Utilice además una cubrebocas o mascarilla antipolvo si la operación de corte genera demasiado polvo. SIEMPRE LLEVE EQUIPO DE SEGURIDAD CERTIFICADO:

- protección ocular ANSI Z87.1 (CAN/CSA Z94.3),
- protección auditiva ANSI S12.6 (S3.19),
- protección respiratoria NIOSH/OSHA/MSHA.



**ADVERTENCIA:** Algunas partículas de polvo generadas al lijar, serrar, esmerilar y taladrar con

herramientas eléctricas, así como al realizar otras actividades de construcción, contienen químicos que el Estado de California sabe que pueden producir cáncer, defectos congénitos u otras afecciones reproductivas. Ejemplos de estos químicos son:

- plomo de algunas pinturas en base a plomo,
- polvo de sílice proveniente de ladrillos y cemento y otros productos de albañilería, y
- arsénico y cromo provenientes de madera tratada químicamente.

Su riesgo de exposición a estos químicos varía, dependiendo de la frecuencia con la cual realiza usted este tipo de trabajo. Para reducir su exposición a estas sustancias químicas: trabaje en una zona bien ventilada y llevando equipos de seguridad aprobados, como mascarillas antipolvo especialmente diseñadas para filtrar partículas microscópicas.

- **Evite el contacto prolongado con polvo generado por el lijado, aserrado, pulido, taladrado y otras actividades de construcción. Vista ropas protectoras y lave las áreas de la piel expuestas con agua y jabón.** Si permite que el polvo se introduzca en la boca u ojos o quede sobre la piel, puede favorecer la absorción de productos químicos peligrosos.



**ADVERTENCIA:** La utilización de esta herramienta puede generar polvo o dispersarlo, lo que podría causar daños graves y permanentes al sistema respiratorio, así como otras lesiones. Siempre use protección respiratoria aprobada por NIOSH (Instituto Nacional de Seguridad y Salud en el Trabajo) u OSHA (Administración de Seguridad y Salud en el Trabajo) apropiada para la exposición al polvo. Dirija las partículas en dirección contraria a la cara y el cuerpo.



**ADVERTENCIA:** Siempre lleve la debida protección auditiva personal en conformidad con ANSI S12.6 (S3.19) durante el uso de esta herramienta. Bajo algunas condiciones y duraciones de uso, el ruido producido por este producto puede contribuir a la pérdida auditiva.



**ATENCIÓN:** Cuando no esté en uso, guarde la herramienta apoyada en un costado sobre una superficie estable, donde no interrumpa el paso o provoque una caída. Algunas herramientas con paquetes de baterías de gran tamaño pueden colocarse paradas sobre el paquete de baterías, pero pueden caerse fácilmente.



**ADVERTENCIA:** No use discos u hojas abrasivos.










**ADVERTENCIA:** No use accesorios de alimentación de agua.

- **Utilice abrazaderas u otra forma práctica para asegurar y sostener la pieza de trabajo sobre una plataforma estable.** Sostener el trabajo con la mano o contra el cuerpo no brinda la estabilidad requerida y puede llevar a la pérdida del control.
- **Mantenga el cuerpo de uno u otro lado de la hoja de la sierra, nunca en línea con la misma.** El RETROCESO podría despedir la sierra hacia atrás (vea **Causas**

**del retroceso y su prevención por el operador y CONTRAGOLPES).**

- **Las rejillas de ventilación suelen cubrir piezas en movimiento, por lo que se debe evitar el contacto con ellas.** Las piezas en movimiento pueden atrapar prendas de vestir sueltas, joyas o el cabello largo.
- **Los orificios de ventilación suelen cubrir piezas en movimiento, por lo que también se deben evitar.** Las piezas en movimiento pueden atrapar prendas de vestir sueltas, joyas o el cabello largo.
- **Evite el corte de clavos.** Revise y retire cualquier clavo antes de cortar una pieza de Madera.

La etiqueta de su herramienta puede incluir los siguientes símbolos. A continuación se indican los símbolos y sus definiciones:

V .....	voltios		or AC/DC ... corriente alterna o directa
Hz .....	hertz		Construcción de Clase II (doble aislamiento)
min .....	minutos	$n_0$ .....	velocidad sin carga
 or DC.....	direct current	n .....	velocidad nominal
	Construcción de Clase I (tierra)		terminal de conexión a tierra
... /min.....	por minuto		símbolo de advertencia de seguridad
BPM .....	golpes por minuto		radiación visible
IPM .....	impactos por minuto		protección respiratoria
RPM .....	revoluciones por minuto		protección ocular
sfpm .....	pies de superficie por minuto		protección auditiva
SPM .....	pasadas por minuto		lea toda la documentación
A .....	amperios		
W .....	watios		
 or AC.....	corriente alterna		

## BATERÍAS Y CARGADORES

La batería no viene completamente cargada de fábrica. Antes de utilizar la batería y el cargador, lea las siguientes instrucciones de seguridad y luego siga los procedimientos de carga indicados. Cuando pida baterías de repuesto, no olvide indicar el número de catálogo y el voltaje.

Su herramienta utiliza un cargador DeWALT. Lea todas las instrucciones de seguridad antes de usar el cargador. Consulte la tabla al final de este manual para información sobre compatibilidad entre cargadores y baterías.

### LEA TODAS LAS INSTRUCCIONES

## Instrucciones de Seguridad Importantes Para Todas las Unidades de Batería



**ADVERTENCIA:** Lea todas las advertencias de seguridad y todas las instrucciones para la batería, el cargador y la herramienta eléctrica. No seguir las advertencias y las instrucciones puede provocar una descarga eléctrica, un incendio y/o lesiones graves.

- **No cargue o use la unidad de batería en atmósferas explosivas, como en presencia de líquidos, gases o polvos inflamables.** Puede que al insertar o sacar la unidad de batería del cargador se inflamen el polvo o los gases.
- **NUNCA fuerce la unidad de batería para que entre en el cargador. NO modifique la unidad de batería en ninguna forma para que entre en un cargador no compatible, pues puede producir una ruptura en la unidad de batería y causar lesiones corporales graves.** Consulte la tabla al final de este manual para ver la compatibilidad entre baterías y cargadores.
- Cargue las unidades de batería sólo en los cargadores designados por DeWALT.
- **NO salpique con ni sumerja en agua u otros líquidos.**
- **No guarde ni use la herramienta y unidad de batería en lugares donde la temperatura pueda alcanzar o superar los 40 °C (104 °F), tales como cobertizos o construcciones de metal durante el verano.**  
Almacene las unidades de batería en lugares frescos y secos para maximizar su vida útil.  
**NOTA: No almacene las unidades de batería en la herramienta con el interruptor de gatillo en posición encendida fija. Nunca use cinta adhesiva para mantener el interruptor de gatillo en posición ENCENDIDA.**
- **No incinere la unidad de batería, aunque esté completamente dañada o descargada. La unidad de batería puede explotar si se quema.** Cuando se queman unidades de batería de iones de litio, se producen gases y materiales tóxicos.
- **Si el contenido de la batería entra en contacto con la piel, lave el área de inmediato con agua y un jabón suave.** Si el líquido de la batería entra en contacto con sus ojos, enjuáguelos con agua y los ojos abiertos por 15 minutos o hasta que cese la irritación. Si se requiere de asistencia médica, el electrolito de la batería está compuesto por una mezcla de carbonatos orgánicos líquidos y sales de litio.
- **El contenido de los elementos abiertos de la batería puede causar irritación en el tracto respiratorio.** Salga al aire fresco. Si los síntomas persisten, busque asistencia médica.



**ADVERTENCIA:** Peligro de quemaduras. El líquido de la batería puede ser inflamable si se expone a chispas o llamas.



**ADVERTENCIA:** Peligro de incendio. Nunca intente abrir la unidad de batería por ningún motivo. Si la caja exterior de la unidad de batería se triza o daña, no la introduzca en el cargador. No triture, deje caer o dañe la unidad de batería. No use una unidad de batería o un cargador que haya sido golpeado, dejado caer, atropellado o dañado en cualquier forma (por ejemplo, perforado por un clavo, golpeado con un martillo, pisado). Lleve sus unidades de batería dañadas al centro de servicio para que sean recicladas.

## Transporte



**ADVERTENCIA: Peligro de incendio. No guarde o transporte la batería de forma que los terminales expuestos de la misma puedan estar en contacto con objetos metálicos.** Por ejemplo, no ponga la batería en delantales, bolsillos, cajas de herramientas, estuches de productos, cajones, etc., junto con clavos, tornillos, y llaves, etc. sueltos. **El transporte de baterías puede causar incendios si sus terminales inadvertidamente entran en contacto con materiales conductores como llaves, monedas, herramientas manuales y otros por el estilo.** El Reglamento sobre Materiales Peligrosos (HMR) del Departamento de Transporte de EE.UU. prohíbe transportar baterías comercialmente o en aviones en el equipaje de mano A MENOS que estén debidamente protegidas contra cortocircuitos. Por lo tanto, cuando transporte baterías individuales, asegúrese de que sus terminales estén protegidos y debidamente aislados de los materiales que pudieran entrar en contacto con ellos y provocar un cortocircuito.

### TRANSPORTE DE LA BATERÍA FLEXVOLT™ DE DeWALT

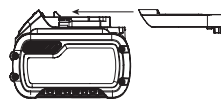
La batería FLEXVOLT™ de DeWALT tiene dos modalidades:

#### Uso y transporte.

**Modalidad de uso:** Cuando la batería FLEXVOLT™ está independiente o está en un producto DeWALT de 20 V Máx\* funcionará como una batería de 20 V Máx\*. Cuando la batería FLEXVOLT™ está en un producto de 60 V Máx\* o 120 V Máx\* (dos baterías de 60 V Máx\*), funcionará como una batería de 60V Máx\*.

#### Modalidad de transporte:

Cuando la batería FLEXVOLT™ tiene puesta la tapa, la batería está en modalidad de transporte.



Cadenas de celdas están desconectadas eléctricamente dentro de la unidad de batería, lo que resulta en tres baterías con una capacidad nominal de vatios hora (Wh) inferior comparada con una batería con una capacidad nominal de vatios hora superior. Esta mayor cantidad de tres baterías con una capacidad nominal de vatios-hora menor puede hacer que la unidad de batería quede exenta de ciertos reglamentos de transporte que se imponen a las baterías con mayor capacidad nominal de vatios-hora. La etiqueta en la batería indica dos capacidades nominales de vatios-hora (ver el ejemplo). Dependiendo de cómo se transporta la batería, debe usarse la capacidad nominal vatios-hora apropiada para determinar los requisitos de transporte aplicables. Si se utiliza la tapa de transporte, la unidad de batería será considerada tres baterías con la capacidad nominal de vatios-hora indicada para «Transporte». Si se transporta sin la tapa o en una herramienta, la unidad de batería será considerada una batería con la capacidad nominal de vatios-hora indicada al lado de «Uso».

Ejemplo de Marcado en Etiqueta de Uso y Transporte

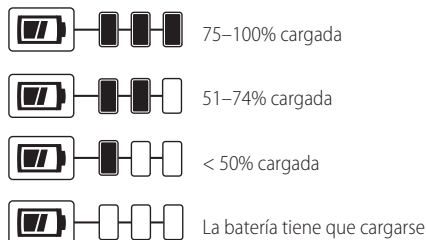
**USE: 120 Wh Shipping: 3 x 40 Wh**

Por ejemplo, la capacidad nominal de Wh de Transporte puede indicar 3 x 40 Wh, lo que significa 3 baterías de 40 vatios-hora cada una. La capacidad nominal de Wh de Uso puede indicar 120 Wh (se implica 1 batería).

### Unidades de Batería con Indicador de Carga (Fig. B)

Algunas unidades de batería DeWALT incluyen un indicador de carga que consiste de tres luces LED verdes que indican el nivel de carga que queda en la unidad de batería.

El indicador de carga es una indicación de niveles aproximados de carga que quedan en la batería según los indicadores siguientes:



Para activar el indicador de carga, presione y sostenga el botón del indicador. Se iluminará una combinación de las tres luces LED verdes, que indicará el nivel de carga que queda. Cuando el nivel de carga está por debajo del nivel útil, el indicador no se iluminará, y la batería deberá recargarse.

Fig. B



**NOTA:** El indicador de carga es sólo eso: un indicador de la carga de la unidad de batería. No indica el nivel de funcionalidad de la herramienta y puede variar de acuerdo a las piezas del producto, la temperatura y la aplicación que el usuario le dé.

Para mayor información sobre unidades de batería con indicadores de carga, por favor llame al 1-800-4-DeWALT (1-800-433-9258) o visite nuestro sitio Web: [www.dewalt.com](http://www.dewalt.com).

### El sello RBRC®

El sello RBRC® (Rechargeable Battery Recycling Corporation) en las baterías (unidades de batería) de níquel cadmio, níquel e hidruro metálico o de iones de litio indica que el costo de reciclaje de estas baterías (o unidades de batería) al llegar al final de su vida de servicio ya ha sido pagado por DeWALT. En algunas áreas, es ilegal depositar baterías de níquel cadmio, níquel e hidruro metálico o de iones de litio gastadas en la basura o la corriente de residuos sólidos urbanos; el programa Call 2 Recycle® proporciona una alternativa ecológica.

Call 2 Recycle, Inc., en cooperación con DeWALT y otros usuarios de baterías, han establecido programas en los Estados Unidos y Canadá para facilitar la recolección de baterías de níquel cadmio, níquel e hidruro metálico o



de iones de litio gastadas. Al llevar sus baterías de níquel cadmio, níquel e hidruro metálico y de iones de litio gastadas a un centro de servicio autorizado por DeWALT o al minorista local para que sean recicladas, ayuda a proteger el medio ambiente y a conservar recursos naturales. También puede comunicarse con el centro de reciclaje de su localidad para mayor información sobre dónde llevar sus baterías gastadas.

RBRC® es una marca comercial registrada de Call 2 Recycle, Inc.

### Instrucciones Importantes de Seguridad Para Todos los Cargadores de Baterías



**ADVERTENCIA:** Lea todas las advertencias de seguridad y todas las instrucciones para la batería, el cargador y la herramienta eléctrica. No seguir las advertencias y las instrucciones puede provocar una descarga eléctrica, un incendio y/o lesiones graves.

- **NO intente cargar la unidad de batería con otros cargadores que no sean los descritos en este manual.** El cargador y la unidad de batería fueron específicamente diseñados para trabajar en conjunto.
- **Estos cargadores no fueron diseñados para ser utilizados para más que cargar las baterías recargables DeWALT.** Cualquier otro uso puede producir riesgo de incendios, descargas eléctricas o electrocución.
- **No exponga el cargador a la lluvia o a la nieve.**
- **Tire del enchufe y no del cable cuando desconecte el cargador.** De esta forma se reduce el riesgo de daño al enchufe y cable.
- **Asegúrese de que el cable no sea ubicado de manera que podría ser pisado, causar que alguien tropiece con él o ser expuesto a otro tipo de daños y desgastes.**
- **No use un alargador a menos que sea absolutamente necesario.** El uso de un alargador incorrecto podría producir riesgo de incendios, descargas eléctricas o electrocución.
- **Cuando opere un cargador al exterior, hágalo siempre en un lugar seco y use un alargador apropiado para uso al exterior.** El uso de un alargador apropiado para uso al exterior reduce el riesgo de descarga eléctrica.
- **Los hilos del alargador deben ser de un calibre apropiado (AWG o American Wire Gauge) para su seguridad.** Mientras menor sea el calibre del hilo, mayor la capacidad del cable. Es decir, un hilo calibre 16 tiene mayor capacidad que uno de 18. Un cable de un calibre insuficiente causará una caída en la tensión de la línea dando por resultado una pérdida de energía y sobrecalentamiento. Cuando se utilice más de un alargador para completar el largo total, asegúrese que los hilos de cada alargador tengan el calibre mínimo. La tabla siguiente muestra el tamaño correcto a utilizar, dependiendo de la longitud del cable y del amperaje nominal de la placa de identificación. Si tiene dudas sobre

**ESPAÑOL**

*cuál calibre usar, use un calibre mayor. Cuanto menor sea el número del calibre, más resistente será el cable.*

**Calibre mínimo de conjuntos de cables**

Voltios	Longitud total del cable en pies (metros)				
	120 V	25 (7,6)	50 (15,2)	100 (30,5)	150 (45,7)
240 V	50 (15,2)	100 (30,5)	200 (61,0)	300 (91,4)	
Amperaje nominal	AWG				
Más de	Más de				
0	6	18	16	16	14
6	10	18	16	14	12
10	12	16	16	14	12
12	16	14	12	Not Recommended	

- **No coloque ningún objeto encima del cargador ni coloque a este sobre una superficie blanda que pudiera bloquear las ranuras de ventilación y resultar en un calor interno excesivo.** Coloque el cargador en un lugar alejado de cualquier fuente de calor. El cargador se ventila a través de las ranuras que se encuentran en la parte superior e inferior de la caja protectora.
- **No opere el cargador si su cable o enchufe están dañados.**
- **No opere el cargador si ha recibido un golpe agudo, si se ha caído o si ha sido dañado de alguna otra forma.** Llévelo a un centro de servicio autorizado.
- **No desarme el cargador; llévelo a un centro de servicio autorizado cuando deba ser reparado.** Si es reensamblado incorrectamente, puede causar descargas eléctricas, electrocución o incendios.
- **Desenchufe el cargador antes de intentar limpiarlo. Esto reducirá el riesgo de descargas eléctricas.** El retirar el paquete de baterías no reducirá este riesgo.
- **NUNCA** intente conectar 2 cargadores entre sí.
- **El cargador está diseñado para operar con una corriente eléctrica estándar residencial de 120 V. No intente usarlo con ningún otro voltaje.** Esto no aplica al cargador vehicular.

**⚠️ ADVERTENCIA:** Peligro de descarga eléctrica. No permita que ningún líquido se introduzca en el cargador. Puede producir descargas eléctricas.

**⚠️ ADVERTENCIA:** Peligro de quemaduras. No sumerja la unidad de batería en líquido de ningún tipo ni permita que se introduzca ningún tipo de líquido a la unidad de batería. Nunca intente abrir la unidad de batería por ningún motivo. Si la caja plástica de la unidad de batería se triza o rompe, llévela a un centro de servicio para su reciclaje

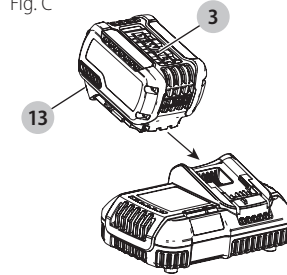
**⚠️ ATENCIÓN:** Peligro de quemaduras. Para reducir el riesgo de lesiones, sólo cargue unidades de batería recargables marca DeWALT. Otros tipos de batería podrían sobrecalentarse y reventar lo que podría resultar en lesiones corporales y daños a su propiedad.

**AVISO:** Bajo ciertas condiciones, cuando el cargador está enchufado a una toma de corriente, el cargador puede hacer cortocircuito si entra en contacto con algún material ajeno. Los materiales ajenos de

*naturaleza conductora, como el polvo de esmerilado, las placas de metal, la lana de acero, el papel de aluminio y otros, o cualquier acumulación de partículas metálicas deberían mantenerse alejados de las cavidades del cargador. Desenchufe siempre el cargador cuando no haya una unidad de batería en su cavidad. Desenchufe el cargador antes de intentar limpiarlo.*

**Carga de una batería (Fig. C)**

1. Enchufe el cargador en una toma de corriente apropiada antes de introducir la batería.



2. Inserte la batería **3** en el cargador, comprobando esté bien fija. La luz roja (de carga) parpadeará continuamente para indicar que se ha iniciado el proceso de carga.
3. La luz roja se quedará ENCENDIDA continuamente cuando se haya completado el proceso de carga. La batería estará entonces completamente cargada y podrá ser utilizada de inmediato o dejarse en el cargador. Para sacar la batería del cargador, presione el botón de liberación **13** de la batería.

**NOTA:** Para asegurar el máximo rendimiento y vida útil de las baterías de iones de litio, cargue la batería completamente antes de usarla por primera vez.

**Funcionamiento del cargador**

Consulte los indicadores a continuación relativos al estado de carga de la batería.

DCB101		
	Unidad en Proceso de Carga	— — — — —
	Unidad Cargada	—————
	Restraño por Unidad Caliente/Fría	— • — • — •
	Problema con la Batería o el Cargador	• • • • • • • •
DCB107, DCB112, DCB113, DCB115, DCB118, DCB132		
	Unidad en Proceso de Carga	— — — — —
	Unidad Cargada	—————
	Restraño por Unidad Caliente/Fría*	— — — — —   —————

**\*DCB107, DCB112, DCB113, DCB115, DCB118, DCB132:** La luz roja continuará parpadeando, pero una luz indicadora amarilla estará iluminada durante esta operación. Una vez que la batería haya llegado a una



temperatura apropiada, la luz amarilla se apagará y el cargador continuará con el procedimiento de carga.

El cargador no cargará una batería defectuosa. El cargador indicará que la unidad de batería es defectuosa al no iluminarse o al indicar que existe un problema con la unidad o el cargador.

**NOTA:** Esto también puede significar que hay un problema con el cargador.

Si el cargador indica un problema, lleve el cargador y la batería a un centro de servicio autorizado para que sean sometidos a pruebas.

### Retraso por batería caliente/fría

Cuando el cargador detecta que una batería está demasiado caliente o demasiado fría, inicia automáticamente un Retraso por batería caliente/fría y suspende la carga hasta que la batería alcanza una temperatura adecuada. En ese momento, el cargador inicia automáticamente el modo de carga de la batería. Esta función garantiza la máxima duración de la batería.

Una batería fría se carga más lentamente que una batería caliente. La batería se cargará a ese ritmo más lento durante todo el ciclo de carga y no volverá a cargarse a la velocidad de carga máxima incluso si la batería se calienta.

El cargador DCB118 está equipado con un ventilador interno diseñado para enfriar la batería. El ventilador se encenderá automáticamente cuando la batería tenga que enfriarse.

No opere nunca el cargador si el ventilador no funciona adecuadamente o si las ranuras de ventilación están obstruidas. No permita que entren objetos extraños dentro del cargador.

### Sistema de protección electrónica

Las herramientas con baterías de iones de litio están diseñadas con un Sistema de protección electrónico que protegerá la batería contra la sobrecarga, el sobrecalentamiento o la descarga completa.

La herramienta se apagará automáticamente si el Sistema de protección electrónico se activa. Si esto ocurre, coloque la batería de iones de litio en el cargador hasta que esté totalmente cargada.

## Montaje en la pared

### DCB107, DCB112, DCB113, DCB115, DCB118, DCB132

Estos cargadores están diseñados para montarse en la pared o colocarse en posición vertical sobre una mesa o superficie de trabajo. Si lo monta en la pared, coloque el cargador al alcance de una toma de corriente eléctrica y alejado de las esquinas u otras obstrucciones que puedan impedir el flujo de aire. Utilice la parte de atrás del cargador como plantilla para la ubicación de los tornillos de montaje en la pared. Monte el cargador firmemente utilizando tornillos para muro seco (comprados por separado) de un mínimo de 25,4 mm (1") de largo, con una cabeza de un diámetro de 7-9 mm (0,28-0,35"), atornillados en madera hasta una profundidad óptima dejando el tornillo expuesto aproximadamente 5,5 mm (7/32"). Alinee las ranuras en

la parte trasera del cargador con los tornillos expuestos e introdúzcalos totalmente en las ranuras.

## Instrucciones de limpieza del cargador



**ADVERTENCIA:** Riesgo de descarga eléctrica.

Desconecte el cargador del tomacorriente de CA antes de limpiarlo. Para limpiar la suciedad y grasa del exterior del cargador puede usarse un paño o cepillo suave no metálico. No use agua ni soluciones limpiadoras.

## Notas importantes sobre la carga

- Se puede obtener una mayor duración y un mejor rendimiento si la unidad de batería se carga a una temperatura ambiente de 18–24 °C (65–75 °F). NO cargue la unidad de batería a una temperatura ambiental inferior a +4.5 °C (+40 °F) o superior a +40 °C (+104 °F). Esto es importante y evitará causar daños graves a la batería.
- Puede que el cargador y la unidad de batería se calienten ligeramente durante el proceso de carga. Esto es normal y no representa ningún problema. Para facilitar el enfriamiento de la unidad de batería después del uso, evite colocar el cargador o la unidad de batería en un lugar cálido, como un cobertizo metálico o un remolque sin aislamiento térmico.
- Si la unidad de batería no se carga correctamente:
  - Verifique el funcionamiento de la toma enchufando una lámpara u otro aparato;
  - Revise que la toma de corriente no esté conectada a un interruptor de luz que corte la corriente cuando se corte la luz;
  - Mueva el cargador y la unidad de batería a un lugar donde la temperatura ambiental sea aproximadamente 18–24 °C (65–75 °F);
  - Si el problema de carga continúa, lleve la herramienta, unidad de batería y el cargador a su centro de servicio local.
- La unidad de batería debería ser recargada cuando no sea capaz de producir suficiente potencia para trabajos que eran fácilmente realizados antes. NO CONTINÚE usándola bajo estas circunstancias. Siga el procedimiento de carga. También puede cargar una unidad de batería que haya sido usada parcialmente cuando lo desee, sin dañarla.
- Los materiales ajenos conductores por naturaleza, tales como, pero sin limitarse a, el polvo del esmerilado, las virutas metálicas, la lana de acero, el papel de aluminio o cualquier acumulación de partículas metálicas deberían mantenerse alejados de las cavidades del cargador. Desenchufe siempre el cargador de la toma de corriente cuando no haya una unidad de batería en su cavidad. Desenchufe el cargador antes de intentar limpiarlo.
- No congele ni sumerja el cargador en agua o cualquier otro líquido.

## Recomendaciones de almacenamiento

1. El mejor lugar de almacenamiento es uno que sea fresco y seco, lejos de la luz solar directa y del exceso de calor o frío.
2. Para resultados óptimos durante tiempos prolongados de almacenamiento, se recomienda almacenar la unidad de batería completamente cargada en un lugar fresco y seco fuera del cargador.

**NOTA:** Las unidades de batería no deberían almacenarse completamente descargadas. La unidad de batería deberá recargarse antes de ser usada.

## GUARDE ESTAS INSTRUCCIONES PARA VOLVER A CONSULTAR EN EL FUTURO

### COMPONENTES (FIG. A)

**⚠ ADVERTENCIA:** Nunca modifique la herramienta eléctrica, ni tampoco ninguna de sus piezas. Podría producir lesiones corporales o daños.

Consulte la Figura A al principio de este manual para obtener una lista completa de los componentes.

### USO DEBIDO

Esta sierra circular para trabajos pesados fue diseñada para aplicaciones de corte profesional de madera. No corte materiales de metal, plástico, concreto, mampostería o fibra de cemento.

**NO** utilice la herramienta en condiciones de humedad o en presencia de líquidos o gases inflamables.

**NO** permita que los niños toquen la herramienta. Si el operador no tiene experiencia operando esta herramienta, su uso deberá ser supervisado.

### OPERACIÓN

**⚠ ADVERTENCIA:** Para reducir el riesgo de lesiones personales graves, apague la herramienta y retire el paquete de baterías antes de realizar ajustes o de retirar/installar dispositivos o accesorios. Un arranque accidental podría causar lesiones.

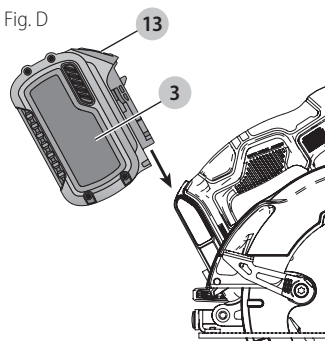
### Cómo instalar y retirar la unidad de batería (Fig. D)

**NOTA:** Para mejores resultados, verifique que su unidad de batería esté completamente cargada.

Para instalar la unidad de batería **3** en el mango de la herramienta, alinee la unidad de batería con los rieles en el interior del mango de la herramienta y deslícela en el mango hasta que la unidad de batería quede firmemente insertada en la herramienta; verifique que ésta no se salga sola.

Para retirar la unidad de alimentación de la herramienta, presione los botones de liberación **13** y tire firmemente de la unidad de batería para sacarla del mango de la herramienta. Insértela en el cargador tal como se describe en la sección del cargador de este manual.

Fig. D



### Luz de trabajo (Fig. A)

**⚠ ATENCIÓN:** No mire fijamente hacia la luz de trabajo. Podrían producirse lesiones oculares graves.

Hay una luz de trabajo **15** ubicada justo por debajo del botón de bloqueo de la hoja **11**. La luz de trabajo se activa cuando se presiona el interruptor tipo gatillo, y se apagará automáticamente 20 segundos después de soltarse el interruptor. Si el interruptor de gatillo se mantiene presionado, la luz de trabajo se mantiene encendida.

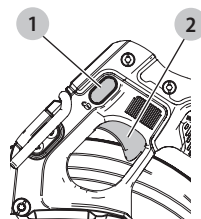
**NOTA:** La luz de trabajo sirve para iluminar la superficie de trabajo cercana y no fue diseñada para utilizarse como linterna.

### Interruptor tipo gatillo (Fig. E)

**⚠ ADVERTENCIA:** Esta herramienta no se ha diseñado para permitir el bloqueo del interruptor tipo gatillo en la posición de encendido y nunca debe intentar bloquearse en dicha posición.

Suelte el botón de bloqueo del interruptor tipo gatillo **1** presionando el botón de la siguiente manera. Tire del interruptor tipo gatillo **2** para encender el motor. Suelte el interruptor tipo gatillo para apagar el motor.

Fig. E



### Cambio de hojas (Fig. F, G, H)

**⚠ ADVERTENCIA:** Retire la batería de la herramienta antes de cambiar las hojas.

#### Para instalar la hoja (Fig. F, G, H)

1. Haga retroceder el protector inferior de la hoja **7** utilizando la palanca de retracción de la hoja inferior **6** y coloque la hoja en el eje de la sierra contra la arandela de sujeción interior, asegurándose de que la hoja gire en el sentido adecuado (el sentido de la flecha de rotación en la hoja de la sierra y los dientes deben apuntar a la misma dirección que la dirección de

la flecha de rotación del protector inferior de la hoja). No suponga que la parte impresa de la hoja tenga que estar mirando hacia afuera cuando esté debidamente instalada. Cuando repliegue el protector inferior de la hoja para instalar la hoja, revise la condición y operación del protector inferior de la hoja para asegurar que esté funcionando bien. Asegúrese que se mueva libremente y que no toque la hoja ni cualquiera otra parte de la sierra, en todos los ángulos y profundidades de corte.

- Coloque la arandela de fijación exterior **16** en el eje de la sierra con la superficie grande y plana contra la hoja con el lado biselado hacia afuera.
- Enrosque el tornillo de sujeción de la hoja **8** en el eje de la sierra a mano (el tornillo tiene roscas derechas y debe girarse en sentido horario para ajustarse).
- Presione el botón de bloqueo de la hoja **11** mientras rota el huso de la sierra con la llave de la hoja **14** hasta que el bloqueo de la hoja se active y la hoja deje de rotar (Fig. G).
- Ajuste bien el tornillo de fijación de la hoja con la llave de la hoja.

**NOTA:** Nunca enganche el dispositivo de bloqueo de la hoja con la sierra andando ni trate de bloquear la hoja para detener la herramienta. Nunca encienda la sierra mientras el bloqueo de la hoja esté enganchado. Podría resultar en serios daños a su sierra.

### Para cambiar la hoja (Fig. F, G)

- Para aflojar el tornillo de fijación de la hoja **8**, presione el botón de bloqueo de la hoja **11** y rote el huso de la sierra con la llave de la hoja **14** hasta que el bloqueo de la hoja se active y la hoja deje de rotar. Con el bloqueo de la hoja activado, gire el tornillo de sujeción de la hoja en sentido antihorario con la llave de la hoja (el tornillo tiene roscas derechas y debe girarse en sentido antihorario para aflojarse).
- Quite sólo el tornillo de fijación de la hoja **8** y la arandela de fijación exterior **16**. Quite la hoja vieja.

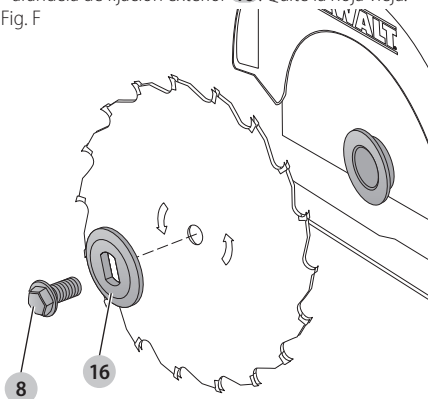
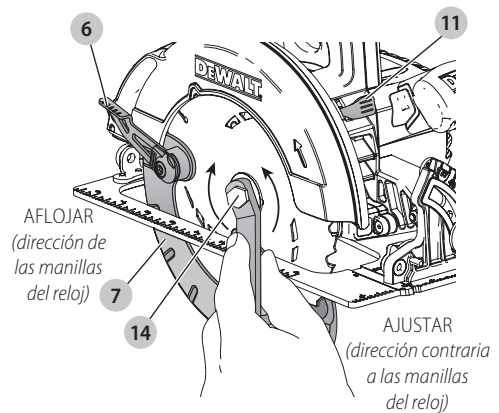


Fig. G



- Limpie el aserrín que se haya acumulado en el protector o el área de la arandela de fijación y revise la condición y funcionamiento del protector inferior de la hoja como se describe más arriba. No lubrique esta área.
- Seleccione la hoja correcta para la aplicación (vea **Hojas**). Siempre use hojas que sean del tamaño correcto (diámetro) con el orificio central del tamaño y la forma apropiados para el montaje en el eje de la sierra. Siempre asegure que la hoja de la sierra alcance o supere la velocidad máxima recomendada (rpm) de la sierra.
- Siga los pasos 2 a 5 bajo **Para instalar la hoja**, asegurándose que la hoja gire en la dirección correcta.

### Protector Inferior de La Hoja



**ADVERTENCIA:** El protector inferior de la hoja es una característica de seguridad que reduce el riesgo de lesiones corporales graves. Nunca use la sierra si el protector inferior de la hoja no se encuentra en la sierra, si está dañado, mal ensamblado o si no funciona debidamente. No dependa del protector inferior de la hoja para protegerlo en cualquier circunstancia. Su seguridad depende de las siguientes advertencias y precauciones, como también de la operación debida de la sierra. Revise el protector inferior de la hoja para ver la manera debida de cerrarla antes de cada uso como se describe en Instrucciones de seguridad adicionales para todas las sierras. Si el protector inferior de la hoja no se encuentra en la sierra, repárela antes de usarla otra vez. Para garantizar la seguridad y confiabilidad del producto, las reparaciones, el mantenimiento y el ajuste deben realizarlos los centros de servicio autorizados u otras organizaciones de servicio calificadas, usando siempre repuestos idénticos.

### Hojas



**ADVERTENCIA:** Para minimizar el riesgo de lesiones oculares, siempre use protección ocular. El carburo es un material duro pero quebradizo. Si topa con objetos

## ESPAÑOL

extraños en la pieza de trabajo, tales como alambres o clavos, podría cuartear o quebrar las puntas. Sólo opere la sierra cuando el protector de la hoja esté en su lugar debido. Monte la hoja en forma segura y asegúrese de que rote en la dirección debida antes de usar la sierra y siempre use una hoja limpia y afilada.



**ADVERTENCIA:** No corte materiales de metal, plástico, concreto, mampostería o fibra de cemento con esta sierra.

No use discos u hojas abrasivos. Una hoja roma produce cortes ineficientes y lentos, sobrecarga el motor de la sierra, astilla excesivamente la madera, y puede aumentar la posibilidad de rebote. Remítase a la tabla de más abajo para determinar cuál es el tamaño de hoja de repuesto correcto para su modelo de sierra.

### TIPO DE HOJAS RECOMENDADAS

Ensamblaje Combinado -	Árbol circular de 5/8"; 24 dientes Hoja rápida de utilidad variada para cortes al hilo y transversales
Madera Tratada A Presión -	Árbol circular de 5/8"; 20 dientes Hoja revestida resistente a la acumulación de goma
Extrema Durabilidad -	Árbol circular de 5/8"; 18 dientes Hoja de carburo tungsteno revestida
Acabados -	Árbol circular de 5/8"; 36 dientes Más dientes para cortes de acabado fino.
Ensamblaje Por Corte Rápido -	Árbol circular de 5/8"; 18 dientes Hoja rápida para cortes al hilo y transversales.

Si necesita ayuda en el uso de las hojas por favor llame al 1-800-4-DEWALT (1-800-433-9258).

## Contragolpes

El retroceso es una reacción repentina a una hoja de sierra pellizcada, atascada o desalineada, que hace que una sierra descontrolada se levante y se salga de la pieza de trabajo, hacia el operador. Cuando la hoja se pellizca o se atasca fuertemente al cerrarse la sección de corte, la hoja se para y la reacción del motor impulsa la unidad rápidamente hacia atrás, hacia el operador. Si la hoja se tuerce o se desalinea en el corte, los dientes ubicados en el borde trasero de la hoja pueden penetrar en la superficie superior de la madera, haciendo que la hoja trepe, se salga de la sección de corte y salte hacia atrás, hacia el operador.

Suelen ocurrir contragolpes cuando se presentan alguna o algunas de las siguientes condiciones:

### 1. SOPORTE INADECUADO DE LA PIEZA DE TRABAJO

- Caída o levantamiento inadecuado de la pieza que se desprende, lo que hace que el disco quede atrapado.
- Cortes en material que sólo se apoya por los extremos (Fig. O). Al tiempo que el material se debilita, éste se pandea y cierra el canal de corte, lo que ocasiona que el disco quede atrapado.
- Corte desde la parte inferior de piezas voladas en dirección vertical. La pieza que caerá podría trabar el disco.

- Corte de tiras largas y angostas (como en cortes al hilo). La pieza que se separa puede trabar el disco.
- Sujetar la guarda inferior con una superficie que se encuentre por debajo del material que se está cortando, lo que reduce por un momento el control del operador. La sierra se puede levantar parcialmente del corte, lo que incrementará la posibilidad de un atorón del disco.

### 2. AJUSTE INCORRECTO DE LA PROFUNDIDAD DE CORTE EN LA SIERRA

- Para hacer el corte más eficiente, la hoja no debe sobresalir más de lo necesario para exponer la mitad de uno de sus dientes, como lo muestra la Figure I. Esto permite que la base soporte la hoja y minimiza la torsión o el enganche del material. Vea la sección encabezada **Ajuste de la profundidad del corte.**

### 3. DOBLES EN EL DISCO (DESVIACIONES EN EL CORTE)

- Empujar demasiado para cortar a través de un nudo, un clavo o un área de fibras duras puede ocasionar que el disco se doble.
- Tratar de girar la sierra durante un corte (tratar de regresar a la línea marcada) puede causar doblez.
- Se corren los mismo peligros al tratar de alcanzar zonas alejadas u operar la sierra con poco control del operador (fuera de balance).
- Se propicia el mismo riesgo al cambiar de mano o cambiar la posición del cuerpo mientras se corta.
- También podría suceder así al regresar la unidad para limpiar el disco.

### 4. MATERIALES QUE REQUIEREN DE MAYOR ATENCION

- Madera húmeda.
- Madera verde (material cortado recientemente o no estufado).
- Madera tratada a presión (material tratado con conservadores o anticorrosivos).

### 5. EMPLEO DE DISCOS SUCIOS O SIN FILO

- Los discos sucios o mellados ocasionan carga excesiva en la sierra. Para compensar la carga, el operador empujará normalmente con más fuerza, lo que incrementará la carga aún más y propiciará que el disco se trabe en el canal de corte. Los discos desgastados pueden tener también una luz menor, lo que aumentará la oportunidad de que el disco se doble e incrementará la carga.

### 6. LEVANTAR LA SIERRA MIENTRAS SE HACEN CORTES A BISEL

- Los cortes a bisel requieren que el operador preste atención especial a las técnicas de corte adecuadas sobre todo a la conducción de la sierra. El ángulo del disco contra la zapata y la gran superficie de la cara del disco expuesta al material aumentan las posibilidades de que ocurran desviaciones.

### 7. REINICIACION DE UN CORTE CON LOS DIENTES DEL DISCO BLOQUEADOS POR EL MATERIAL

- Debe permitirse que la sierra alcance su velocidad máxima antes de iniciar un corte después que la

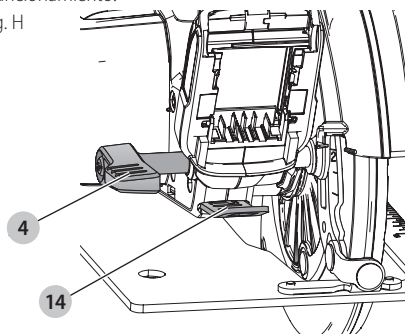
unidad se ha detenido con el disco en el canal de corte. No hacerlo así causará que la sierra se atasque y ocurra contragolpe.

Cualquier otra condición que podría producir el enganche, el trabado, la torsión o el desalineamiento de la hoja podría causar rebote. Remítase a las secciones **Instrucciones de seguridad adicionales para todas las sierras** y a **Hojas** para ver los procedimientos y las técnicas que minimizarán la ocurrencia de rebote.

## Ajuste de profundidad del corte (Fig. A, H, I)

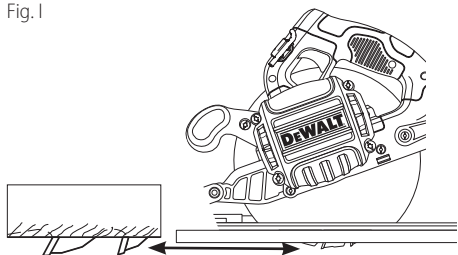
1. Sujete la sierra firmemente y afloje (en el sentido de las manillas del reloj) la palanca de ajuste de profundidad **4** y mueva la base (**5**, Fig. A) para obtener la profundidad de corte deseada.
2. Asegúrese de que la palanca de ajuste de profundidad se haya vuelto a apretar (en sentido contrario a las manillas del reloj) antes de poner la sierra en funcionamiento.

Fig. H



Para obtener el corte más eficiente, fije el ajuste de profundidad de modo que la mitad de un diente de la hoja se proyecte por debajo del material a cortar. Esta distancia se mide desde la punta del diente hasta la parte inferior de la hendidura que sigue a ese diente. Esto reduce al mínimo la fricción de la hoja, despeja el aserrín del corte y resulta en un aserrado más frío y rápido, y reduce la posibilidad de rebote. Un método para revisar la profundidad correcta del corte aparece en la Figura I. Recueste una pieza del material que piensa cortar a lo largo de la hoja, como aparece, y observe cuánto sobresale el diente más allá del material.

Fig. I

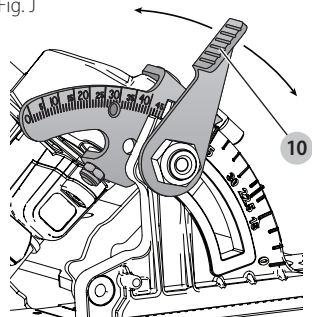


## Ajuste del ángulo de bisel (Fig. A, J)

El rango completo de ajuste de biselado es de 0° a 50°. El cuadrante se gradúa en incrementos de 1°. Frente a la sierra

hay un mecanismo de ajuste del ángulo de biselado que consta de un cuadrante calibrado y una palanca de ajuste de biselado **10**.

Fig. J



## Para configurar la sierra para un corte biselado

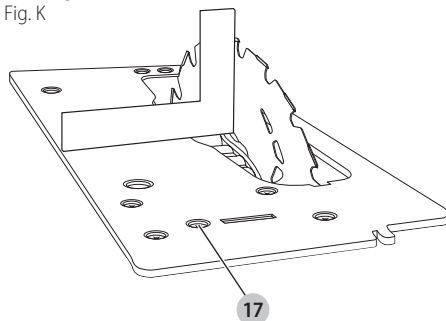
1. Afloje (en sentido contrario a las manillas del reloj) la palanca de ajuste de biselado **10** e incline la base (**5**, Fig. A) hasta el ángulo deseado alineando el indicador con la marca de ángulo deseada.
2. Vuelva a apretar la palanca firmemente (en el sentido de las manillas del reloj).

## Ajuste a la base para cortes de 90° (Fig. J, K)

### Si se necesita hacer ajustes adicionales:

1. Ajuste la sierra a un bisel de 0°.
2. Retracte el protector inferior de la hoja. Coloque la sierra en el lado de la hoja.
3. Afloje la palanca de ajuste de biselado (**10**, Fig. J). Coloque una escuadra contra la hoja y la base para ajustar la configuración de 90°.
4. Gire el tornillo de calibrado **17** de modo que la base se detenga en el ángulo correcto.
5. Revise la rectitud de un corte real en un pedazo de desecho del material para confirmar la precisión de la configuración.

Fig. K



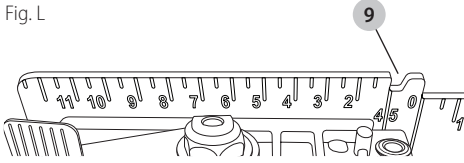
## Indicador de la vía del corte (Fig. L)

La parte delantera de la base de la sierra tiene un indicador de la vía de corte **9** para cortes verticales y biselados. Este indicador le permite guiar la sierra a lo largo de líneas de

## ESPAÑOL

corte marcadas con lápiz en el material a cortar. El indicador de la vía de corte se alinea con el lado izquierdo (interior) de la hoja de la sierra, el que hace que la ranura o línea cortada por la hoja en movimiento caiga a la derecha del indicador. Guíe la sierra por la línea de corte marcada con lápiz de modo que la línea de corte caiga a la pila de material de desecho.

Fig. L



## Soporte de la pieza de trabajo (Fig. M–O)

**⚠️ ADVERTENCIA:** Es importante soportar bien la pieza de trabajo y sostener firmemente la sierra para evitar que se pierda el control lo cual podría resultar en lesiones personales. La Figura M ilustra la forma correcta de sostener la sierra con la mano. Sosténgala firmemente y con ambas manos y sitúe su cuerpo y brazo de modo que podría resistir la fuerza del rebote si ocurriese. ¡SIEMPRE APAGUE LA HERRAMIENTA Y DESCONECTE LA UNIDAD DE ALIMENTACIÓN ANTES DE HACER CUALQUIER AJUSTE!

La Figure M ilustra la posición correcta de serrado. Fíjese que las manos se mantienen alejadas del área de corte. **Para evitar rebote,** SOPORTE la tabla o el panel CERCA del corte (Fig. N). NO soporte la tabla o el panel lejos del corte (Fig. O). Ponga la pieza de trabajo con el lado “bueno” – el que se verá – hacia abajo. La sierra corta hacia arriba por lo que el astillado quedará en el lado que está hacia arriba en el momento del corte.

Fig. M

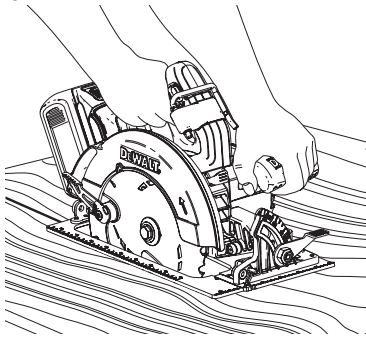


Fig. N

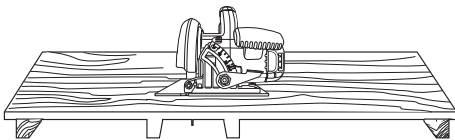
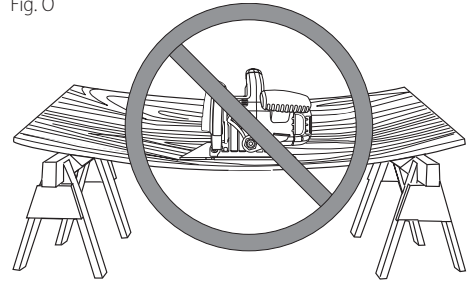


Fig. O



## Corte (Fig. M)

Ponga la parte más ancha de la base de la sierra en la parte de la pieza de trabajo que está soportada y no en la sección que se caerá cuando haga el corte. La Figura M ilustra la forma CORRECTA de cortar el extremo de una tabla. Siempre use abrazaderas para fijar el material. ¡No intente sujetar piezas más cortas con la mano! Recuerde soportar material sobresaliente. Use precaución cuando corte el material desde abajo.

Asegúrese que la sierra esté funcionando a toda velocidad antes de que la hoja entre en contacto con el material a cortar. El arrancar la sierra con la hoja contra el material a ser cortado o presionada en la vía del corte puede resultar en rebote. Empuje la sierra hacia adelante a una velocidad que permita que la hoja corte sin mucho esfuerzo.

El grado de dureza puede variar aun en la misma pieza de material y algunas secciones con más nudos o húmedas pueden ser más difíciles de cortar que otras. Cuando esto suceda, empuje la sierra más lentamente pero con suficiente fuerza para que siga funcionando sin disminuir mucho la velocidad. Si fuerza la sierra puede causar cortes toscos, no precisos, rebotes y sobrecalentamiento del motor.

Si su corte comienza a salirse de la línea, no trate de regresarlo a la línea a la fuerza. Suelte el interruptor tipo gatillo y permita que la hoja se detenga por completo. Luego retire la sierra, vuelva a guiarla y comience un nuevo corte ligeramente por dentro del corte con el que se equivocó. Retire la sierra si debe cambiar la dirección de corte. Si a la fuerza trata de corregir por dentro del corte, la sierra puede trabarse y rebotar.

SI LA SIERRA SE TRABA, SUELTE EL INTERRUPTOR TIPO GATILLO Y RETROCEDA CON LA SIERRA HASTA QUE SE SUELTE. VERIFIQUE QUE LA HOJA ESTÉ DERECHA EN EL CORTE Y ALEJADA DEL BORDE DE CORTE ANTES DE VOLVER A ARRANCARLA.

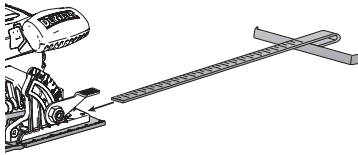
Al completar un corte, suelte el interruptor tipo gatillo y permita que la hoja se detenga antes de levantar la sierra de la pieza de trabajo. Cuando levante la sierra, el protector inferior de la hoja, el que está cargado por resorte, se cerrará automáticamente debajo de la hoja. Recuerde que la hoja quedará expuesta hasta que esto ocurra. Nunca ponga su mano debajo del material por ningún motivo. Cuando tenga que retraer manualmente el protector inferior de la hoja (lo que es necesario para iniciar un corte interior), siempre use la palanca de retracción.

**⚠** **ADVERTENCIA:** Cuando corte tiras angostas, tenga cuidado de verificar que las piezas cortadas no queden colgando del interior del protector inferior de la hoja.

### Cortes Longitudinales (Fig. P)

Se utiliza un corte longitudinal para cortar tablas anchas en tablas más angostas, cortando al hilo. La guía manual de la sierra es más difícil cuando se utiliza este tipo de sierra y se recomienda el uso de una guía para cortes longitudinales DeWALT.

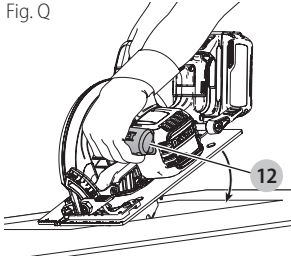
Fig. P



### Corte Central o de Orificio (Fig. Q)

**⚠** **ADVERTENCIA:** Nunca fije el protector inferior de la hoja en la posición elevada. Nunca mueva la sierra hacia atrás cuando haga cortes interiores. Esto podría hacer que la sierra se levante de la superficie de trabajo, lo que podría causar lesiones.

Fig. Q



Un corte central es un corte realizado en un piso, una pared u otra superficie plana.

1. Ajuste la base de la sierra de modo que la hoja corte a la profundidad deseada.
2. Incline la sierra hacia adelante y descance la parte anterior de la base sobre el material a cortar.
3. Usando la palanca de retracción del protector inferior de la hoja, retracte el protector inferior de la hoja a una posición ascendente. Baje la parte posterior de la base hasta que los dientes de la hoja casi toquen la línea de corte.
4. Suelte el protector inferior de la hoja (su contacto con la pieza lo mantendrá en una posición que permitirá que se abra libremente conforme inicie el corte). Retire su mano de la palanca de retracción del protector inferior de la hoja y agarre firmemente el mango auxiliar **12**, como lo muestra la Figura Q. Posicione su cuerpo y su brazo de modo que pueda resistir el rebote si esto ocurre.
5. Asegúrese que la hoja no esté en contacto con la superficie de corte antes de arrancar la sierra.
6. Arranque el motor y baje la sierra gradualmente hasta que la base descance completamente plana sobre el

material a cortar. Avance la sierra por la línea del corte hasta que el corte se haya completado.

7. Suelte el interruptor tipo gatillo y permita que la hoja se detenga por completo antes de retirar la hoja del material.
8. Cuando inicie un nuevo corte, repita los pasos anteriores.

### Gancho para colgar (Fig. A)

**⚠** **ADVERTENCIA:** Para reducir el riesgo de lesiones personales serias, no use el gancho para colgar de la herramienta para colgar la herramienta de su cuerpo. NO use el gancho para colgar para anclar o asegurar la herramienta a una persona u objeto durante el uso. NO suspenda la herramienta por arriba de su cabeza o suspenda objetos del gancho para colgar.

**⚠** **ADVERTENCIA:** Para reducir el riesgo de lesiones por la caída de la sierra circular sobre operadores o transeúntes, asegúrese que esté soportada firmemente cuando use el gancho para colgar, o se apoye en una ubicación segura y estable cuando no esté en uso. Asegúrese de mantener el área por debajo libre para reducir el riesgo que la herramienta o material de corte caiga y golpee a alguien o algo debajo de ella.

La sierra circular tiene un conveniente gancho para colgar **16** que permite colgarla en una estructura adecuada y estable entre usos. El gancho para colgar no está diseñado para anclar o asegurar la herramienta a una persona u objeto durante el uso cuando esté en lugares elevados.

### MANTENIMIENTO

**⚠** **ADVERTENCIA:** Para reducir el riesgo de lesiones personales graves, apague la herramienta y retire el paquete de baterías antes de realizar ajustes o de retirar/instalar dispositivos o accesorios. Un arranque accidental podría causar lesiones.

### Limpieza

**⚠** **ADVERTENCIA:** Sople la suciedad y el polvo de todos los conductos de ventilación con aire seco, al menos una vez por semana. Para reducir el riesgo de lesiones, utilice siempre protección para los ojos aprobada ANSI Z87.1 al realizar esta tarea.

**⚠** **ADVERTENCIA:** Nunca utilice solventes ni otros químicos abrasivos para limpiar las piezas no metálicas de la herramienta. Estos productos químicos pueden debilitar los materiales plásticos utilizados en estas piezas. Utilice un paño humedecido sólo con agua y jabón neutro. Nunca permita que penetre líquido dentro de la herramienta ni sumerja ninguna de las piezas en un líquido.

### Accesorios

**⚠** **ADVERTENCIA:** Debido a que no se han probado con este producto otros accesorios que no sean los que ofrece DeWALT., el uso de dichos accesorios con esta herramienta podría ser peligroso. Para reducir

## ESPAÑOL

*el riesgo de lesiones, con este producto deben usarse sólo los accesorios recomendados por DeWALT.*

Los accesorios que se recomiendan para utilizar con la herramienta están disponibles a un costo adicional en su distribuidor local o en un centro de mantenimiento autorizado. Si necesita ayuda para localizar algún accesorio, póngase en contacto con DeWALT Industrial Tool Co., 701 East Joppa Road, Towson, MD 21286, llame al 1-800-4-DeWALT (1-800-433-9258) o visite nuestro sitio web: [www.dewalt.com](http://www.dewalt.com).

## Reparaciones

El cargador y las unidades de batería no pueden ser reparados.



**ADVERTENCIA:** Para asegurar la **SEGURIDAD** y la **CONFIABILIDAD** del producto, las reparaciones, el mantenimiento y los ajustes deben (inclusive inspección y cambio de carbones) ser realizados en un centro de mantenimiento en la fábrica DeWALT u en un centro de mantenimiento autorizado DeWALT. Utilice siempre piezas de repuesto idénticas.

**Para reparación y servicio de sus herramientas eléctricas, favor de dirigirse al Centro de Servicio más cercano**

### CULIACAN, SIN

Bldv.Emiliano Zapata 5400-1 Poniente Col. (667) 717 89 99  
San Rafael

### GUADALAJARA, JAL

Av. La Paz #1779 - Col. Americana Sector (33) 3825 6978  
Juárez

### MEXICO, D.F.

Eje Central Lázaro Cárdenas No. 18 - Local (55) 5588 9377  
D, Col. Obrera

### MERIDA, YUC

Calle 63 #459-A - Col. Centro (999) 928 5038

### MONTERREY, N.L.

Av. Francisco I. Madero 831 Poniente - Col. (818) 375 23 13  
Centro

### PUEBLA, PUE

17 Norte #205 - Col. Centro (222) 246 3714

### QUERETARO, QRO

Av. San Roque 274 - Col. San Gregorio (442) 2 17 63 14

### SAN LUIS POTOSI, SLP

Av. Universidad 1525 - Col. San Luis (444) 814 2383

### TORREON, COAH

Bldv. Independencia, 96 Pte. - Col. Centro (871) 716 5265

### VERACRUZ, VER

Prolongación Díaz Mirón #4280 - Col. (229) 921 7016  
Remes

### VILLAHERMOSA, TAB

Constitución 516-A - Col. Centro (993) 312 5111

### PARA OTRAS LOCALIDADES:

**Si se encuentra en México, por favor llame al  
(55) 5326 7100**

**Si se encuentra en U.S., por favor llame al  
1-800-433-9258 (1-800 4-DeWALT)**

## Póliza de Garantía

IDENTIFICACIÓN DEL PRODUCTO:

Sello o firma del Distribuidor.

Nombre del producto: \_\_\_\_\_

Mod./Cat.: \_\_\_\_\_

Marca: \_\_\_\_\_

Núm. de serie: \_\_\_\_\_

(Datos para ser llenados por el distribuidor)

Fecha de compra y/o entrega del producto:

\_\_\_\_\_

Nombre y domicilio del distribuidor donde se adquirió el producto:

\_\_\_\_\_

Este producto está garantizado por un año a partir de la fecha de entrega, contra cualquier defecto en su funcionamiento, así como en materiales y mano de obra empleados para su fabricación. Nuestra garantía incluye la reparación o reposición del producto y/o componentes sin cargo alguno para el cliente, incluyendo mano de obra, así como los gastos de transportación razonablemente erogados derivados del cumplimiento de este certificado.

Para hacer efectiva esta garantía deberá presentar su herramienta y esta póliza sellada por el establecimiento comercial donde se adquirió el producto, de no contar con ésta, bastará la factura de compra.

## Excepciones

Esta garantía no será válida en los siguientes casos:

- Cuando el producto se hubiese utilizado en condiciones distintas a las normales;
- Cuando el producto no hubiese sido operado de acuerdo con el instructivo de uso que se acompaña;
- Cuando el producto hubiese sido alterado o reparado por personas distintas a las enlistadas al final de este certificado.

Anexo encontrará una relación de sucursales de servicio de fábrica, centros de servicio autorizados y franquiciados en la República Mexicana, donde podrá hacer efectiva su garantía y adquirir partes, refacciones y accesorios originales.

## Registro en línea

Gracias por su compra. Registre su producto ahora para:

- **SERVICIO EN GARANTÍA:** Si completa esta tarjeta, podrá obtener un servicio en garantía más eficiente, en caso de que exista un problema con su producto.
- **CONFIRMACIÓN DE PROPIEDAD:** En caso de una pérdida que cubra el seguro, como un incendio, una inundación o un robo, el registro de propiedad servirá como comprobante de compra.
- **PARA SU SEGURIDAD:** Si registra el producto, podremos comunicarnos con usted en el caso improbable que se deba enviar una notificación de seguridad conforme a la Federal Consumer Safety



Act (Ley Federal de Seguridad de Productos para el Consumidor).

Registro en línea en [www.dewalt.com/register](http://www.dewalt.com/register).

## Garantía limitada por tres años

DeWALT reparará, sin cargo, cualquier falla que surja de defectos en el material o la fabricación del producto, por hasta tres años a contar de la fecha de compra. Esta garantía no cubre fallas de las piezas causadas por su desgaste normal o abuso a la herramienta. Para mayores detalles sobre la cobertura de la garantía e información acerca de reparaciones realizadas bajo garantía, visítenos en [www.dewalt.com](http://www.dewalt.com) o diríjase al centro de servicio más cercano. Esta garantía no aplica a accesorios o a daños causados por reparaciones realizadas o intentadas por terceros. Esta garantía le otorga derechos legales específicos, además de los cuales puede tener otros dependiendo del estado o la provincia en que se encuentre. Además de la garantía, las herramientas DeWALT están cubiertas por:

### 1 AÑO DE SERVICIO GRATUITO

DeWALT mantendrá la herramienta y reemplazará las piezas gastadas por su uso normal, sin cobro, en cualquier momento durante un año a contar de la fecha de compra. Los artículos gastados por la clavadora, tales como la unidad de hoja y retorno del impulsador, no están cubiertas.

### 2 AÑOS DE SERVICIO GRATUITO PARA UNIDADES DE ALIMENTACIÓN DEWALT

DC9071, DC9091, DC9096, DC9280, DC9360, DC9180, DCB120, DCB127, DCB201, DCB203, DCB203BT, DCB207, DCB361

### 3 AÑOS DE SERVICIO GRATUITO PARA UNIDADES DE ALIMENTACIÓN DEWALT

DCB200, DCB204, DCB204BT, DCB205, DCB606

**NOTA:** La garantía del producto quedará nula si la unidad de batería ha sido alterada de cualquier manera. DeWALT no es responsable de ninguna lesión causada por alteraciones y podría iniciar un procedimiento judicial por fraude de garantía hasta el máximo grado permisible por la ley.

### GARANTÍA DE REEMBOLSO DE SU DINERO POR 90 DÍAS

Si no está completamente satisfecho con el desempeño de su máquina herramienta, láser o clavadora DeWALT, cualquiera sea el motivo, podrá devolverlo hasta 90 días de la fecha de compra con su recibo y obtener el reembolso completo de su dinero – sin necesidad de responder a ninguna pregunta.

**AMÉRICA LATINA:** Esta garantía no se aplica a los productos que se venden en América Latina. Para los productos que se venden en América Latina, debe consultar la información de la garantía específica del país que viene en el empaque, llamar a la compañía local o visitar el sitio Web a fin de obtener esa información.

### REEMPLAZO GRATUITO DE LAS ETIQUETAS DE

**ADVERTENCIAS:** Si sus etiquetas de advertencia se vuelven ilegibles o faltan, llame al 1-800-433-9258 (1-800-4-DeWALT) para que se le reemplacen gratuitamente.

## ESPECIFICACIONES

DCS575

20 V / 60 V Máx\*

5 800 rpm

Solamente para propósito de México:

Importado por: DeWALT Industrial Tool Co. S.A. de C.V.

Avenida Antonio Dovali Jaime, # 70 Torre B Piso 9

Colonia La Fe, Santa Fé

Código Postal : 01210

Delegación Alvaro Obregón

México D.F.

Tel. (52) 555-326-7100

R.F.C.: BDE810626-1W7





## DeWALT BATTERY AND CHARGER SYSTEMS

**Chargers/Charge Time (Minutes)  
Chargeurs/Durée de charge (Minutes)**

**Cargadores de baterías/Tiempo de carga (Minutos)**

Battery Cat #	Output Voltage	120 Volts															12 Volts	
		DC9000	DC9310	DC9320	DC8095	DC8101	DC8102	DC8103	DC8107	DC8112	DC8113	DC8114	DC8115	DC8116	DC8118	DC8132	DC8119	DW0249
DCB606	60/20	X	X	X	X	100	100	100	272	170	140	X	90	X	60	90	X	X
DCB404	40	X	X	X	X	X	X	X	X	X	X	90	X	30	X	X	X	X
DCB406	40	X	X	X	X	X	X	X	X	X	X	130	X	45	X	X	X	X
DC9360	36	45	X	X	X	X	X	X	X	X	X	X	X	X	X	X	X	X
DCB361	36	45	X	X	X	X	X	X	X	X	X	X	X	X	X	X	X	X
DC9280	28	60	X	X	X	X	X	X	X	X	X	X	X	X	X	X	X	X
DW0242	24	X	X	X	X	X	X	X	X	X	X	X	X	X	X	X	X	60
DCB200	20	X	X	X	X	60	60	60	140	90	67	X	45	X	45/30**	45	90	X
DCB201	20	X	X	X	X	30	30	30	70	45	35	X	22	X	22	22	45	X
DCB203	20	X	X	X	X	35	35	35	90	60	45	X	30	X	30	30	60	X
DCB203BT*	20	X	X	X	X	35	35	35	90	60	45	X	30	X	30	30	60	X
DCB204	20	X	X	X	X	70	70	70	185	120	90	X	60	X	60/40**	60	120	X
DCB204BT*	20	X	X	X	X	70	70	70	185	120	90	X	60	X	60	60	120	X
DCB205	20	X	X	X	X	95	95	95	240	150	112	X	75	X	75/47**	75	150	X
DCB207	20	X	X	X	X	30	30	30	60	40	30	X	22	X	22	22	X	X
DC9182	18	X	40	40	X	X	X	40	X	X	X	X	X	X	X	X	X	40
DCB120	12	X	X	X	X	30	30	30	60	45	35	X	20	X	X	X	45	X
DCB127	12	X	X	X	X	35	35	35	90	60	50	X	30	X	X	X	60	X
DCB080	8	X	X	X	60	X	X	X	X	X	X	X	X	X	X	X	X	X

\*BT - Bluetooth® **NOTE:** The Bluetooth® word mark and logos are registered trademarks owned by the Bluetooth®, SIG, Inc. and any use of such marks by DeWALT is under license. Other trademarks and trade names are those of their respective owners.

\*\*Battery Datecode 201536 or later.

"X" Indicates that the battery pack is not compatible with that specific charger. All charge times are approximate. Actual charge time may vary. Read the instruction manual for more specific information.

"X" indique que le bloc-piles n'est pas compatible avec ce chargeur. Les durées de charge sont approximatives; la durée de charge réelle peut varier. Lire le manuel d'utilisation pour obtenir des renseignements plus précis.

Una "X" indica que el paquete de baterías no es compatible con ese determinado cargador. El tiempo de duración de carga es aproximado; la duración de carga real puede variar. Lea el manual de instrucciones para obtener información más precisa.

\* Maximum initial battery voltage (measured without a workload) is 20, 60 or 120 volts. Nominal voltage is 18, 54 or 108. (120V Max\* is based on using 2 DeWALT 60V Max\* lithium-ion batteries combined.)

\* La tension initiale maximum du bloc-piles (mesurée à vide) est de 20, 60 ou 120 volts. La tension nominale est de 18, 54 ou 108. (120 V Max\* se base sur l'utilisation combinée de 2 blocs-piles au lithium ion DeWALT de 60 V Max\*.)

\* El máximo voltaje inicial de la batería (medido sin carga de trabajo) es 20, 60 o 120 voltios. El voltaje nominal es de 18, 54 o 108. (120 V Máx\* se basan en el uso de 2 baterías de iones de litio DeWALT de 60 V Máx\* combinadas.)

DeWALT Industrial Tool Co., 701 East Joppa Road, Towson, MD 21286  
(MAY17) Part No. N529986 DCS575 Copyright © 2016, 2017 DeWALT

The following are trademarks for one or more DeWALT power tools: the yellow and black color scheme, the "D" shaped air intake grill, the array of pyramids on the handgrip, the kit box configuration, and the array of lozenge-shaped humps on the surface of the tool.