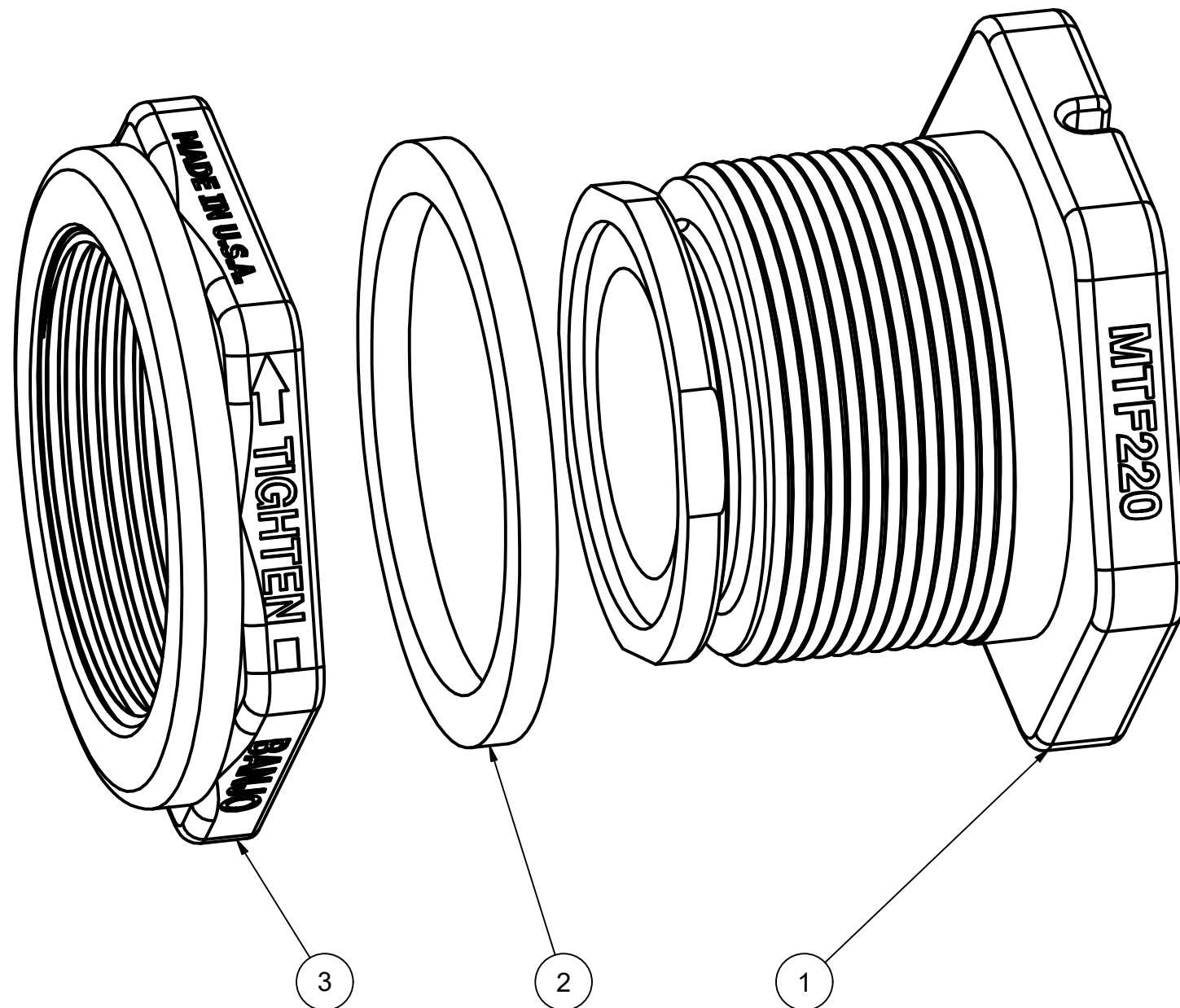


SECTION B-B
SCALE 1 : 1



PARTS LIST			
ITEM	QTY	PART NUMBER	DESCRIPTION
1	1	MTF221BD	2" FP TANK FLANGE BODY
2	1	TF220G	2" TF GASKET
3	1	TF223	2" TANK FLANGE NUT, MACHINED

THIS DRAWING AND ALL INFORMATION CONTAINED THEREON ARE THE EXCLUSIVE PROPERTY OF BANJO CORPORATION.

UNLESS SPECIFICALLY NOTED, THIS DRAWING AND ITEMS SHOWN ON THIS DRAWING ARE SUBJECT TO CHANGE AT ANY TIME.



BANJO
CORPORATION

BANJO CORPORATION
150 BANJO DRIVE, CRAWFORDSVILLE, IN 47933
WEB SITE: WWW.BANJOCORP.COM
E-MAIL: BANJOSALES@IDEXCORP.COM

DESCRIPTION	2" MNF X 2" FNPT TANK FITTING BTM DRN
PART NUMBER	MTF220BD