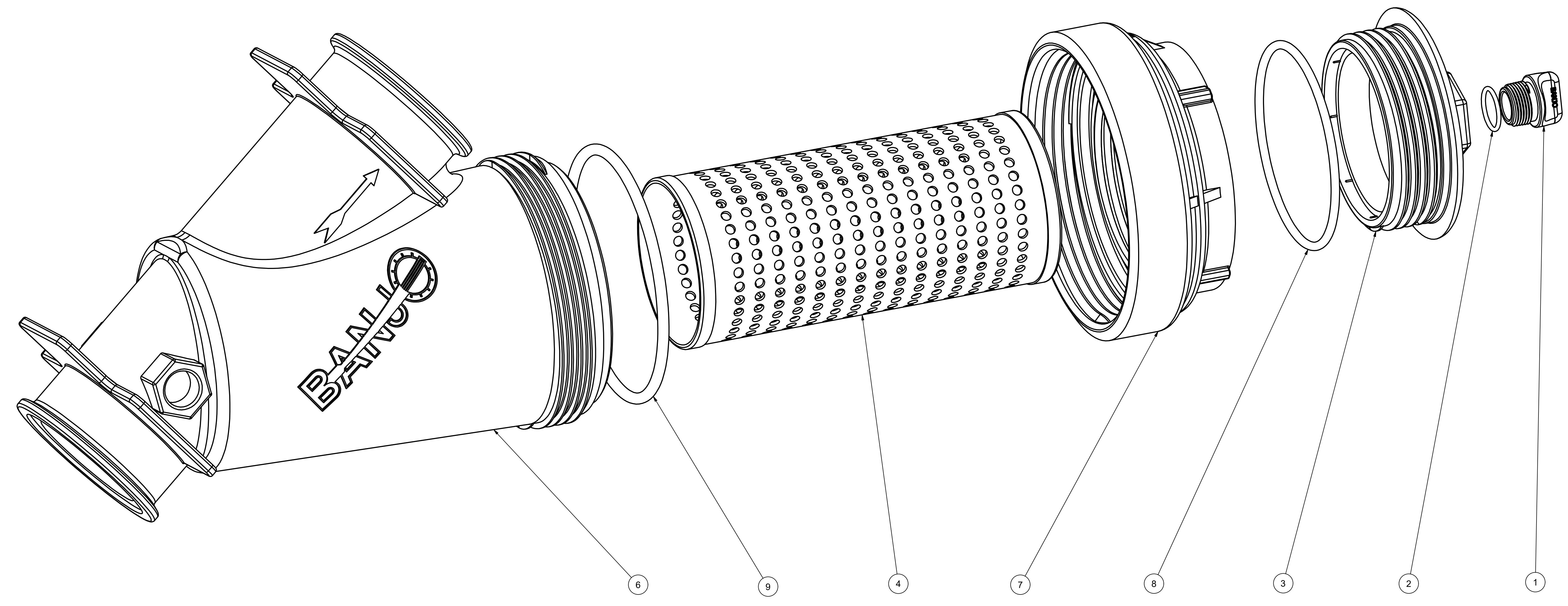
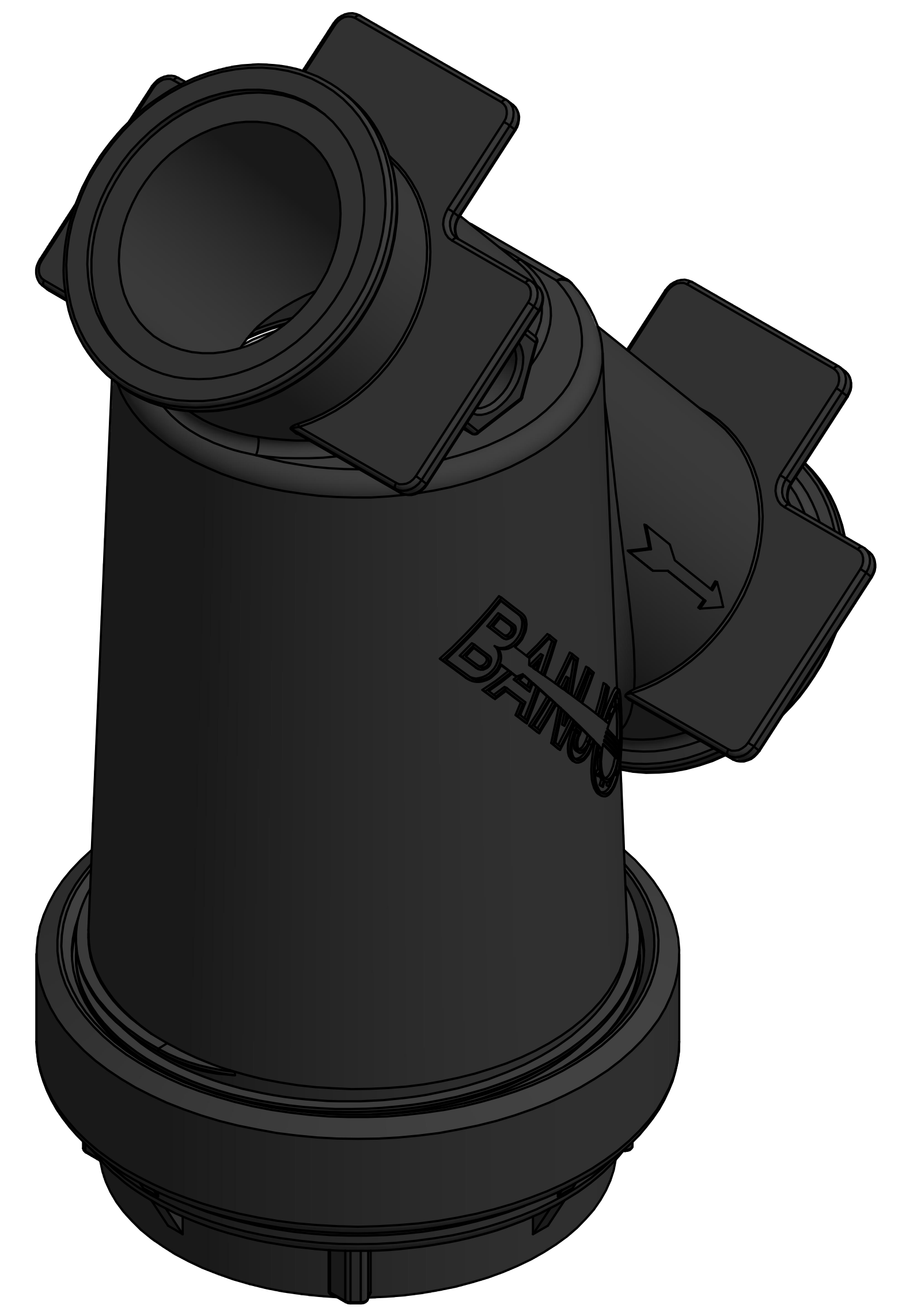
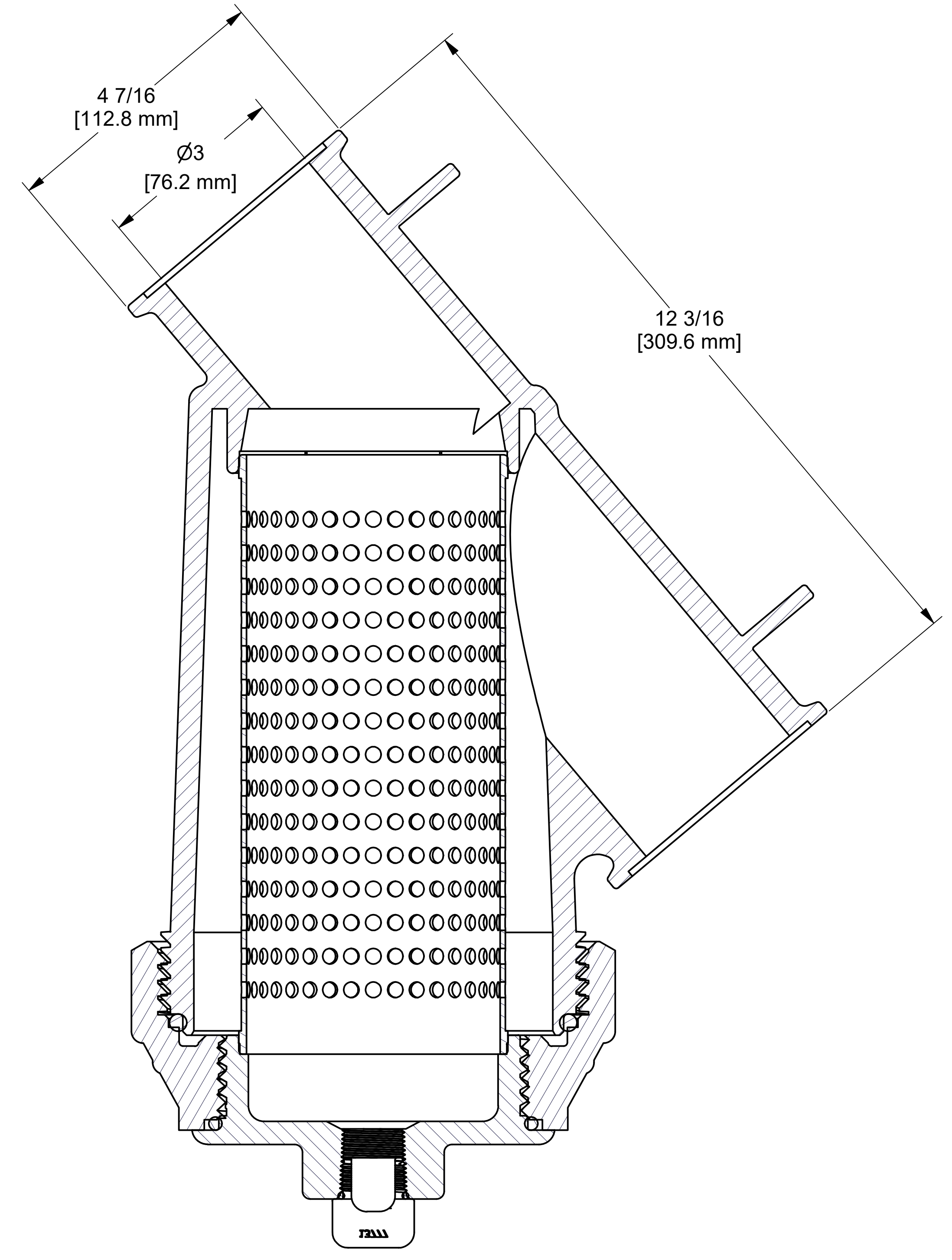
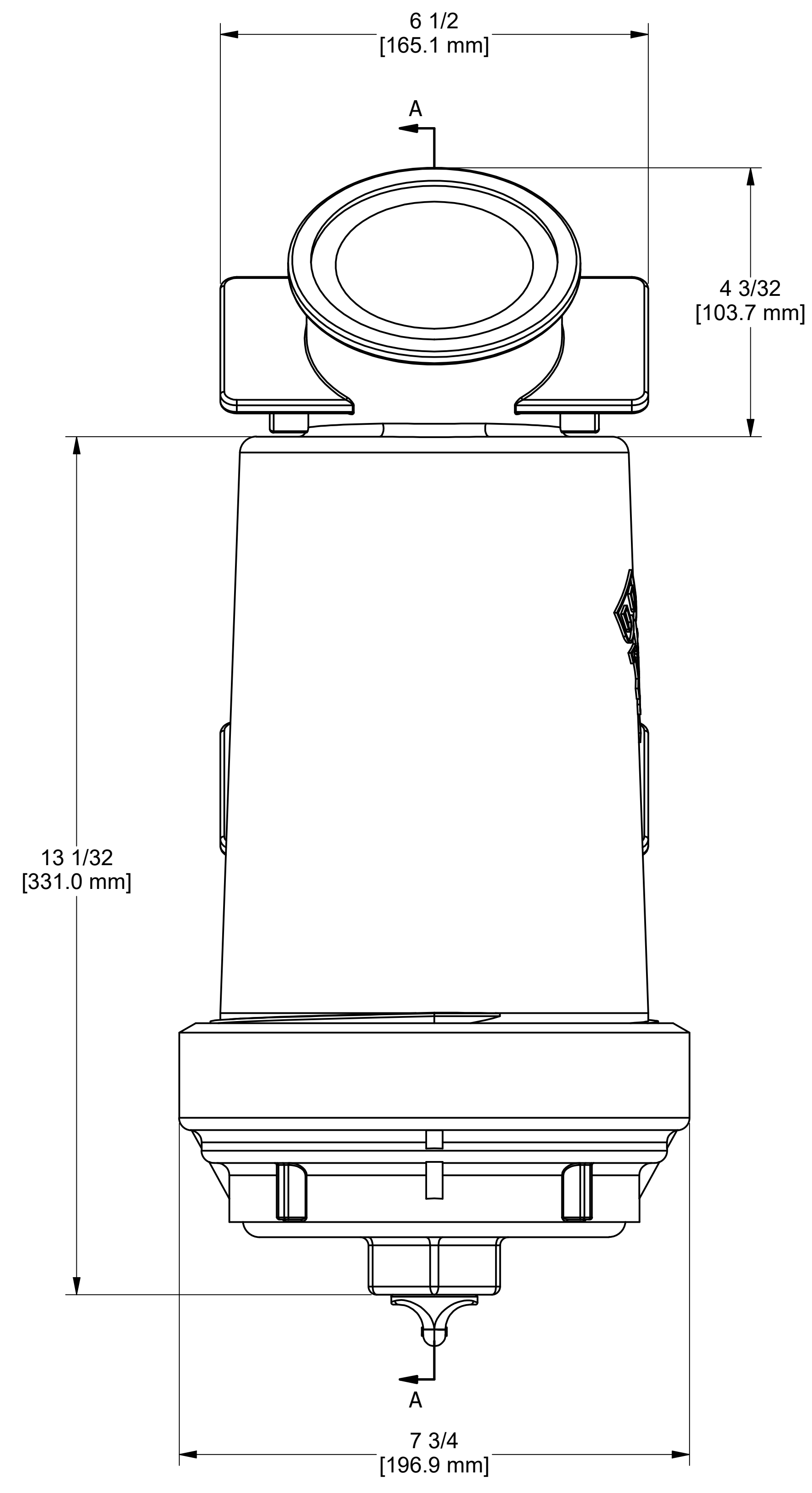


		PARTS LIST	
ITEM	QTY	PART NUMBER	DESCRIPTION
1	1	13777	3/4" DRAIN PLUG, MOLDED
2	1	13778	AS568A -119 O-RING, EPDM, BLACK
3	1	LS300EC	3" LINE STRAINER END CAP
4	1	LS350	3" LINE STRAINER 50 MESH SCREEN
5	1	LST1100D	100 PSI DECAL (N/S)
6	1	MLS300B	3" LINE STRAINER BODY
7	1	MLS300CAP	3" MANIFOLD LINESTRAINER CAP, MACHINED
8	1	MLS300ECG	AS568A -352 O-RING, EPDM, BLACK
9	1	MLS300G	AS568A -437 O-RING, EPDM, BLACK



THIS DRAWING AND ALL INFORMATION CONTAINED THEREON ARE THE EXCLUSIVE PROPERTY OF BANJO CORPORATION.

UNLESS SPECIFICALLY NOTED, THIS DRAWING AND ITEMS SHOWN ON THIS DRAWING ARE SUBJECT TO CHANGE AT ANY TIME.

BANJO CORPORATION  
 150 BANJO DRIVE, CRAWFORDSVILLE, IN 47933  
 WEB SITE: WWW.BANJOCORP.COM  
 E-MAIL: BANJOSALES@IDEXCORP.COM

DESCRIPTION  
**3" MANIFOLD LINESTRAINER W/ #50 MESH SCREEN**

PART NUMBER  
**MLS300-50**