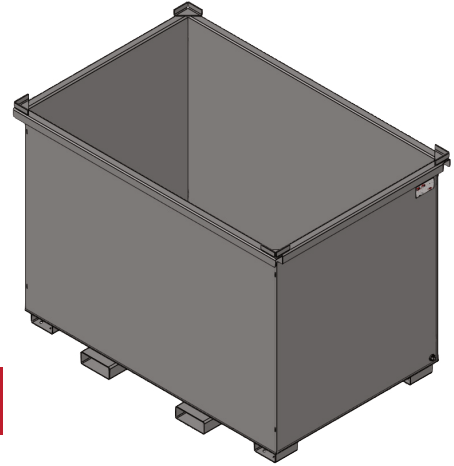
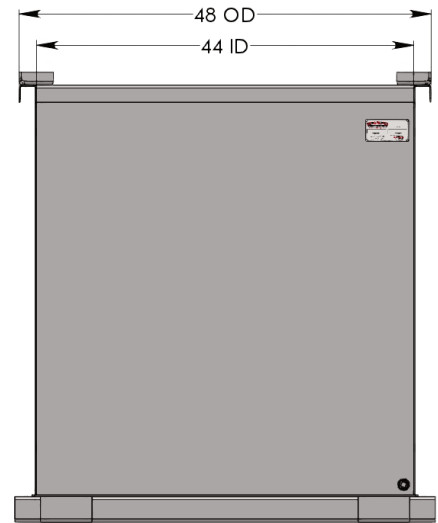
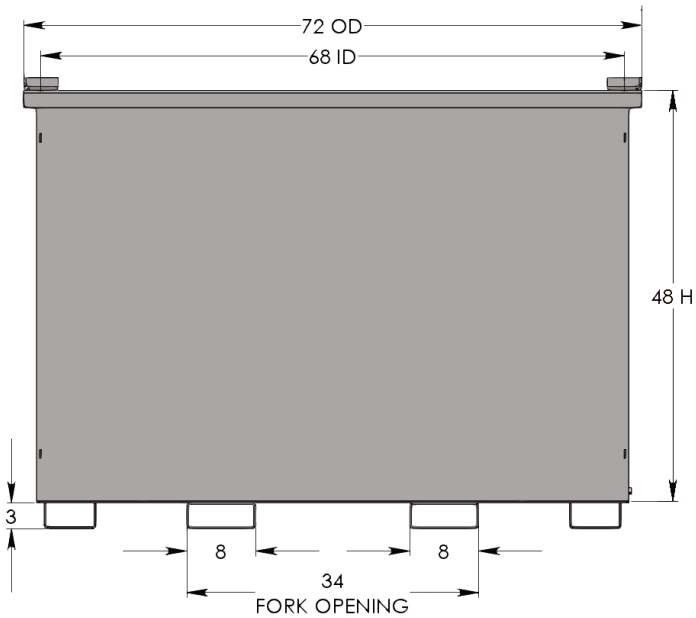


Specification Sheet for Hippo Hopper Model MB-464



3.5 CU YD HEAVY DUTY ROTATOR BOX



MODEL	SIZE	Weight	L	W	H	LH	CAPACITY
MB-464	3.5 CU YD	731 lbs.	48"	72"	48"	48"	6500 lbs.

- 6500 LB. Capacity
- Water tight box with 10 Gauge carbon steel sides and 3/16" bottom
- 2" x 2" Formed steel top rail
- 3" x 8" Fork pockets on 72" side
- Ship weight 731 lbs.

The Monkey Box is designed for the collection and storage of scrap and bulk material. It also has the added ability to be stacked when full and dumped using a forklift equipped with fork rotating attachment. This heavy duty 6500 lbs. capacity rotator box is available in 2, 2.5, 3, 3.5, and 4 cubic yard models. Along with these standard boxes we can custom design and build boxes to meet your specific application. Our standard 2, and 2.5 cubic yard models have 4-way entry and 3, 3.5, and 4 cu. yd. 2 way entry pockets. Available options include: casters, lids, lifting eyes and option paint colors.

Customer Service: (832) 456-4516 or (832) 456-4522 Email: sales@hippohopper.com

The **Hippo Hopper** self-dumping hopper is the fastest, safest, easiest, and most economical way to load, transport and dump scrap and bulk material.

Manufactured by:



Hippo Hopper Plant • 27807 Red Fox Rd. • Tomball, TX 77377
 FabCorp, Inc. • 6951 West Little York Rd. • Houston, TX 77040

