

4

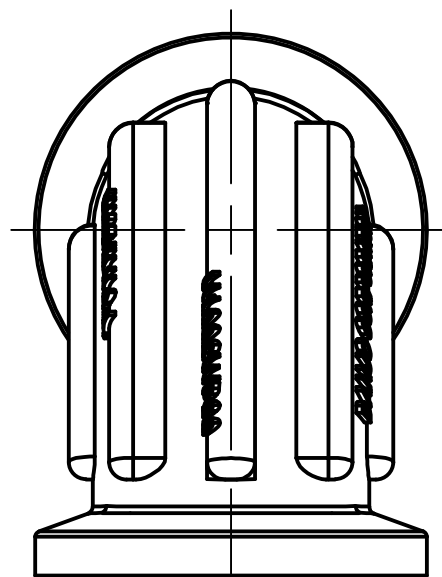
3

2

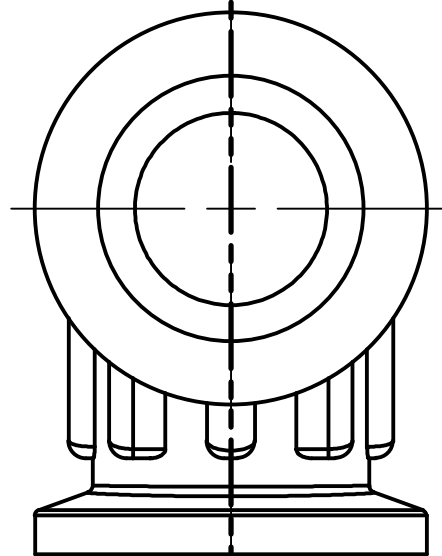
1

B

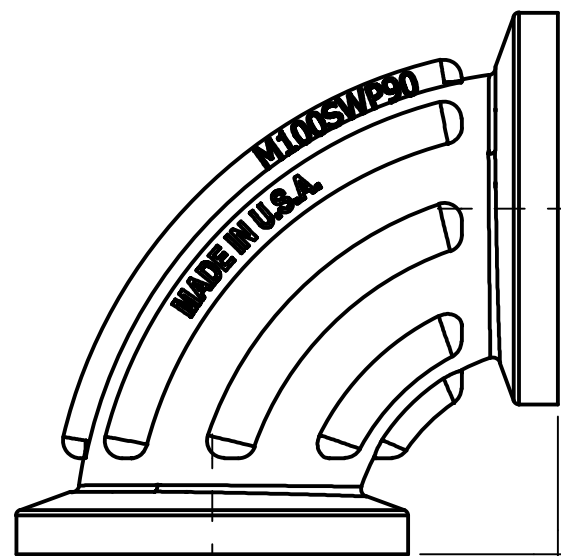
B



A



A



1 13/16  
[45.7 mm]

1 13/16  
[45.7 mm]

1  
[25.4 mm]

2 1/32  
[51.8 mm]

Ø 2 1/32  
[51.8 mm]

1  
[25.4 mm]

SECTION A-A  
SCALE 1 : 1

THIS DRAWING AND ALL INFORMATION CONTAINED THEREON ARE THE EXCLUSIVE PROPERTY OF BANJO CORPORATION.

UNLESS SPECIFICALLY NOTED, THIS DRAWING AND ITEMS SHOWN ON THIS DRAWING ARE SUBJECT TO CHANGE AT ANY TIME.



**BANJO CORPORATION**  
 150 BANJO DRIVE, CRAWFORDSVILLE, IN 47933  
 WEB SITE: WWW.BANJOCORP.COM  
 E-MAIL: BANJOSALES@IDEXCORP.COM

DESCRIPTION  
 1" MANIFOLD 90 DEG SWEEP

PART NUMBER  
 M100SWP90

4

3

2

1

A

A

4