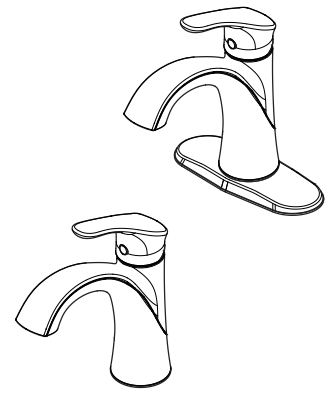


### Single Control Lavatory Faucet

- LG42-WROC Finish(C)
- LG42-WROK Finish(K)
- LG42-WROY Finish(Y)



- 1 or 3-Hole Installation
- All Metal Construction
- Pforever Seal
- Push & Seal™ Pop-Up

## Specifications

### Features

- 1.2 GPM Flow Rate
- All Metal Construction
- 1 or 3-Hole Installation; Deck Plate or Single Hole Mounting Option
- Drilled for Optional Metal Drain (Order 972-022\*)
- Fixed Hub
- PVD Finish
- Pforever Seal Ceramic Disc Valve
- Pforever Warranty®

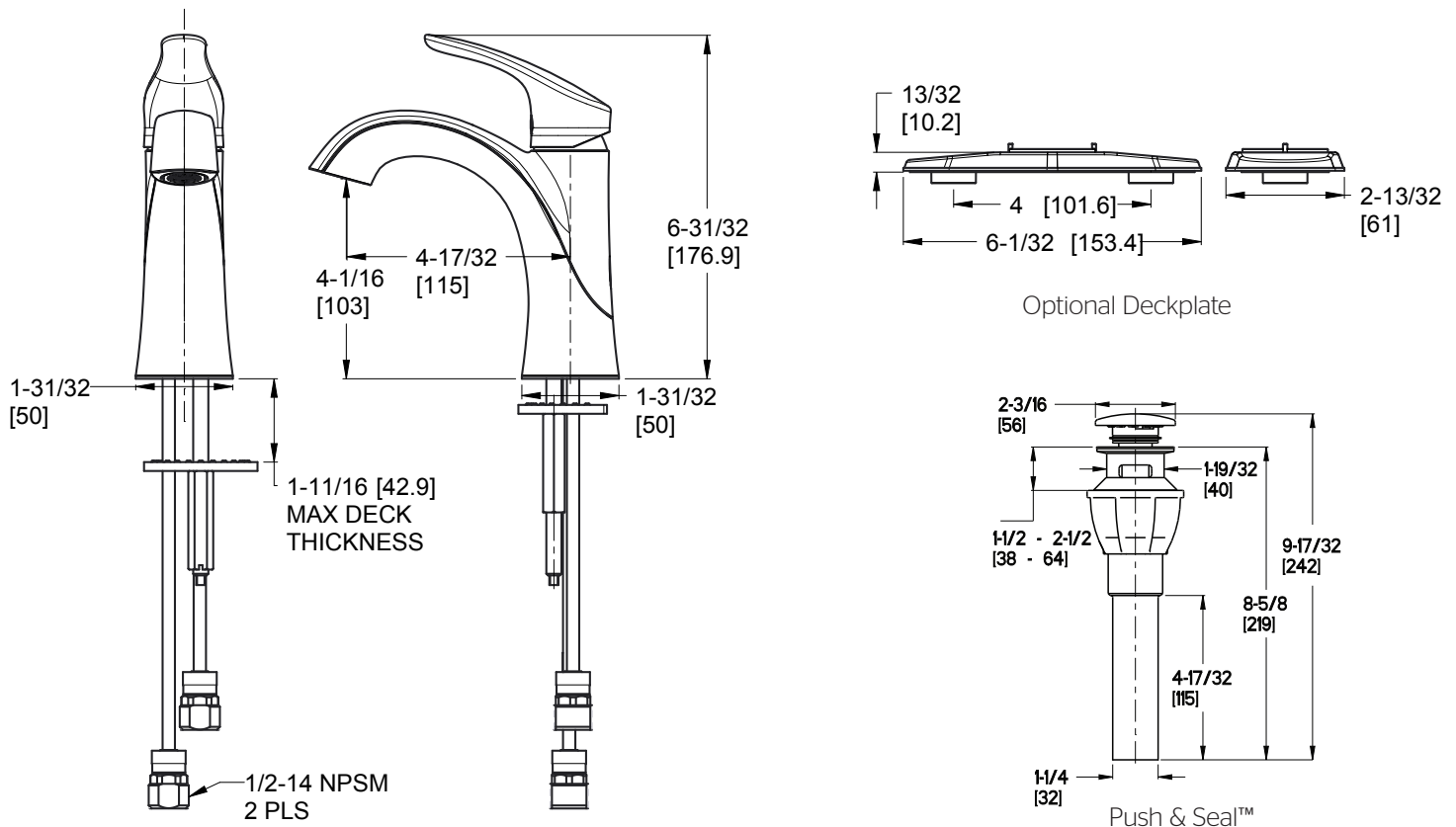
### Code Compliance

Pfister products are designed and manufactured in compliance with the following standards and codes:

- IAPMO Certified
- CSA B125 Certified
- ASME A112.18.1
- NSF 61/9 Annex G (Low lead)
- CEC Compliant
- Cal Green Compliant
- EPA WaterSense Certification 1.2 gpm, 4.5 L/Min
- ADA Compliant-ANSI A117.1 (Lever handles only)



## Dimensions



Ø1 Min to Ø1-1/2 Max. Deck Hole Openings