

HighLighter® Elite

Mini-Light Bar



FEATURES

- Low-profile, 15-inch LED mini-light bar
- Single-, split-, and dual-color models available
- Unique "edge cruise" lighting on dual-color models
- Permanent mount, magnet mount, and suction-cup magnet mount
- [25] flash patterns
- Multi-voltage, 12/24 Vdc
- Five-year warranty

APPROVALS

- SAE J595 Class 1 (Amber, Blue, Red, White)
- SAE J595 Class 3 (Green)
- SAE J845 Class 1 (Amber, Blue, Red, White)
- SAE J845 Class 3 (Green)
- CCR Title 13
- IP69K

FS TECHNOLOGIES



Elite Performance in a Compact Size

The HighLighter® Elite mini-light bar leverages the latest and greatest technological advancements to offer users a mini-light bar that is compact, durable, easy to install, and diverse in its capabilities.

Equipped with Solaris® Reflector Technology, the HighLighter Elite provides brilliant illumination 360 degrees around your vehicle, while standing less than 2-inches tall. This mini-light bar is both SAE J845 Class 1 and CCR Title 13 compliant, making it an excellent choice for anyone seeking a light bar that improves safety while also adhering to regulatory standards.

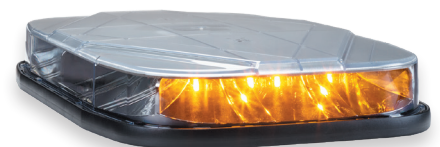
The HighLighter Elite can be purchased in a variety of colors including Amber, Blue, Green, Red, and White. Dual-color models are equipped with SpectraLux® to offer greater customization of your mini LED light bar. Each light bar is capable of 25 different flash patterns, including the unique "edge cruise" lighting (in dual-color models). The wide variety of colors and flash patterns ensure that there is a suitable model for every application including utility, towing, and construction vehicles.

The HighLighter Elite uses FSLink® technology to offer greater synchronization and ease of use amongst Federal Signal products. This shared flash pattern software allows the various products to be wired together, set in a common pattern, and then synchronized together in order to flash simultaneously or alternately. All lighting solutions can be managed quickly and easily when using FSLink Technology.

This LED mini-light bar is available in both permanent and temporary mounting solutions which include both magnet and suction-cup magnet mounts. They are also IP69K rated against dust and water, and are built utilizing patented ROC (Reliable Onboard Circuitry™) technology, which is built to minimize potential failure points in the light bar and ensures that this mini-light bar can withstand the trials faced on and off the road.



Edge Cruise (dual-color models)



End Cruise (single/split-color models)

HOW TO ORDER

LED Color A B G R W Dome Color A C

SUCTION-CUP MAGNET MOUNT, ACCESSORY PLUG, ON/OFF SWITCH

HL15S-A	Single-color, Amber LEDs, Amber dome
HL15SC-A	Single-color, Amber LEDs, Clear dome
HL15SC-B	Single-color, Blue LEDs, Clear dome
HL15SC-G	Single-color, Green LEDs, Clear dome
HL15SC-R	Single-color, Red LEDs, Clear dome
HL15SC-W	Single-color, White LEDs, Clear dome
HL15SC-SAB	Split-color, Amber/Blue LEDs, Clear dome
HL15SC-SAG	Split-color, Amber/Green LEDs, Clear dome
HL15SC-SAW	Split-color, Amber/White LEDs, Clear dome
HL15SC-AB	Dual-color, Amber/Blue LEDs, Clear dome
HL15SC-AG	Dual-color, Amber/Green LEDs, Clear dome
HL15SC-AR	Dual-color, Amber/Red LEDs, Clear dome
HL15SC-AW	Dual-color, Amber/White LEDs, Clear dome
HL15SC-BW	Dual-color, Blue/White LEDs, Clear dome
HL15SC-RB	Dual-color, Red/Blue LEDs, Clear dome
HL15SC-RW	Dual-color, Red/White LEDs, Clear dome

PERMANENT MOUNT

HL15P-A	Single-color, Amber LEDs, Amber dome
HL15PC-A	Single-color, Amber LEDs, Clear dome
HL15PC-B	Single-color, Blue LEDs, Clear dome
HL15PC-G	Single-color, Green LEDs, Clear dome
HL15PC-R	Single-color, Red LEDs, Clear dome
HL15PC-W	Single-color, White LEDs, Clear dome
HL15PC-SAB	Split-color, Amber/Blue LEDs, Clear dome
HL15PC-SAG	Split-color, Amber/Green LEDs, Clear dome
HL15PC-SAW	Split-color, Amber/White LEDs, Clear dome
HL15PC-AB	Dual-color, Amber/Blue LEDs, Clear dome

HL15PC-AG	Dual-color, Amber/Green LEDs, Clear dome
HL15PC-AR	Dual-color, Amber/Red LEDs, Clear dome
HL15PC-AW	Dual-color, Amber/White LEDs, Clear dome
HL15PC-BW	Dual-color, Blue/White LEDs, Clear dome
HL15PC-RB	Dual-color, Red/Blue LEDs, Clear dome
HL15PC-RW	Dual-color, Red/White LEDs, Clear dome

MAGNET MOUNT, ACCESSORY PLUG, ON/OFF SWITCH

HL15M-A	Single-color, Amber LEDs, Amber dome
HL15MC-A	Single-color, Amber LEDs, Clear dome
HL15MC-B	Single-color, Blue LEDs, Clear dome
HL15MC-G	Single-color, Green LEDs, Clear dome
HL15MC-R	Single-color, Red LEDs, Clear dome
HL15MC-W	Single-color, White LEDs, Clear dome
HL15MC-SAB	Split-color, Amber/Blue LEDs, Clear dome
HL15MC-SAG	Split-color, Amber/Green LEDs, Clear dome
HL15MC-SAW	Split-color, Amber/White LEDs, Clear dome
HL15MC-AB	Dual-color, Amber/Blue LEDs, Clear dome
HL15MC-AG	Dual-color, Amber/Green LEDs, Clear dome
HL15MC-AR	Dual-color, Amber/Red LEDs, Clear dome
HL15MC-AW	Dual-color, Amber/White LEDs, Clear dome
HL15MC-BW	Dual-color, Blue/White LEDs, Clear dome
HL15MC-RB	Dual-color, Red/Blue LEDs, Clear dome
HL15MC-RW	Dual-color, Red/White LEDs, Clear dome
HL15U-A	Single-color, Amber LEDs, Amber dome, permanent mount bracket included
HL15UC-A	Single-color, Amber LEDs, Clear dome, permanent mount bracket included
HL15UC-SAG	Split-color, Amber/Green LEDs, Clear dome, permanent mount bracket included
HL15UC-SAW	Split-color, Amber/White LEDs, Clear dome, permanent mount bracket included
HL15UC-AG	Dual-color, Amber/Green LEDs, Clear dome, permanent mount bracket included
HL15UC-AW	Dual-color, Amber/White LEDs, Clear dome, permanent mount bracket included

SPECIFICATIONS

LED Color A B G R W Dome Color A C

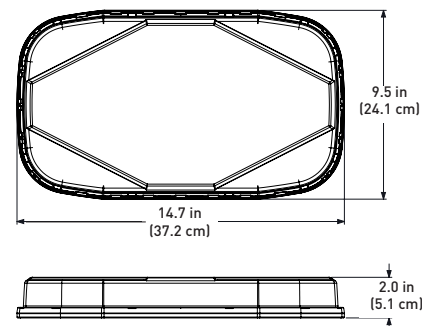
CURRENT DRAW	2.0A @ 12 Vdc/ 1.0A @ 24 Vdc
OPERATING VOLTAGE	12/24 Vdc
OPERATING TEMP	-40° to +149°F (-40° to +65°C)
FLASH PATTERNS	25

PHYSICAL SPECIFICATIONS

	PERMANENT MOUNT	MAGNET MOUNT	SUCTION CUP MAGNET MOUNT
LENGTH	14.7 in (37.2 cm)	14.7 in (37.2 cm)	14.7 in (37.2 cm)
WIDTH	9.5 in (24.1 cm)	8.4 in (21.5 cm)	8.4 in (21.5 cm)
HEIGHT	2.0 in (5.1 cm)	2.1 in (5.4 cm)	2.2 in (5.6 cm)

SHIP WEIGHT

4.5 lb (2.0 kg)	4.3 lb (2.0 kg)	5.3 lb (2.4 kg)
-----------------	-----------------	-----------------



HighLighter, Solaris, SpectraLux, ROC (Reliable Onboard Circuitry), and FSLink are trademarks of Federal Signal Corporation.

