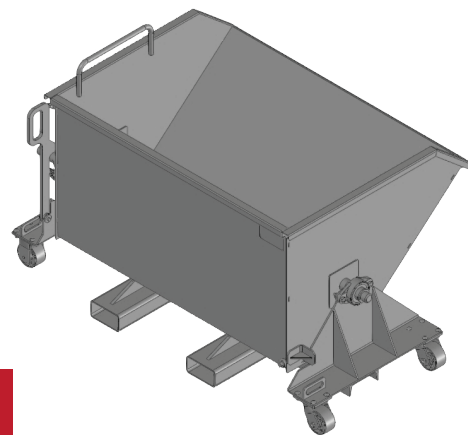
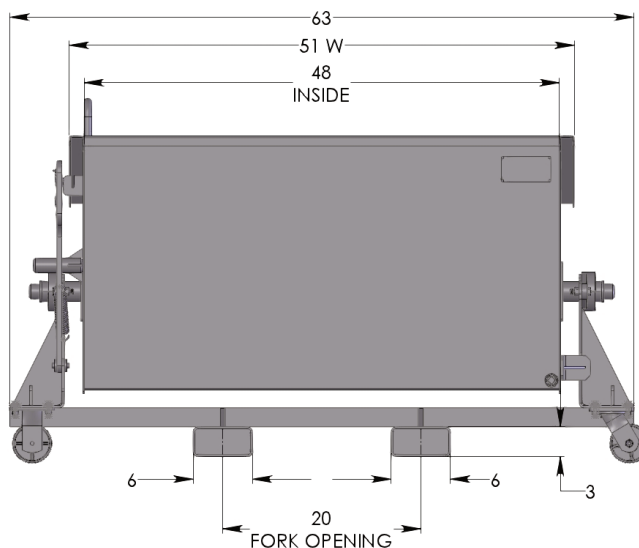
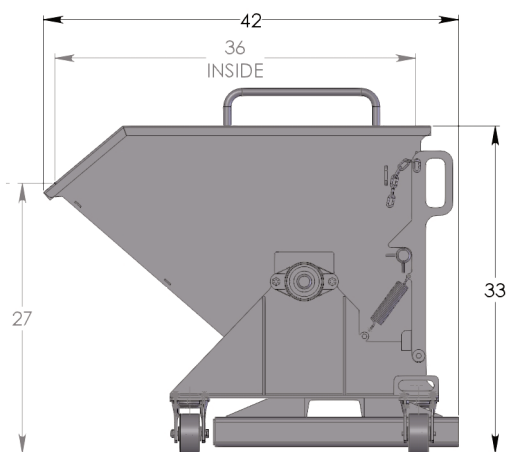


# Specification Sheet for Hippo Hopper Model HH16FH-FB



## 1 CU YD SELF-DUMPING FROG CART



MODEL	SIZE	Weight	L	W	H	LH	CAPACITY
HH16FH-FB	1 CU YD	375 lbs.	42"	63"	33"	27"	4500 lbs.

- 4500 LB. Capacity
- 10 Gauge carbon steel watertight box with 3/4" drain plug
- Pull back handle release
- Formed steel base with 4" casters and pivot dump bearing
- 3" x 6" fork pockets with dump security strap
- Push handle standard

Extra wide and low 90 degree dump cart with push handle. Designed for the collection of scrap when floor space is limited and height is restricted. This hopper dumps to a full 90 degrees when attached to forklift. Along with our standard 1/2 and 1 cubic yard model custom sizes can be built to meet your specific application.

Customer Service: (832) 456-4516 or (832) 456-4522 Email: sales@hippohopper.com

The **Hippo Hopper** self-dumping hopper is the fastest, safest, easiest, and most economical way to load, transport and dump scrap and bulk material.

Manufactured by:



Hippo Hopper Plant • 27807 Red Fox Rd. • Tomball, TX 77377  
 FabCorp, Inc. • 6951 West Little York Rd. • Houston, TX 77040

