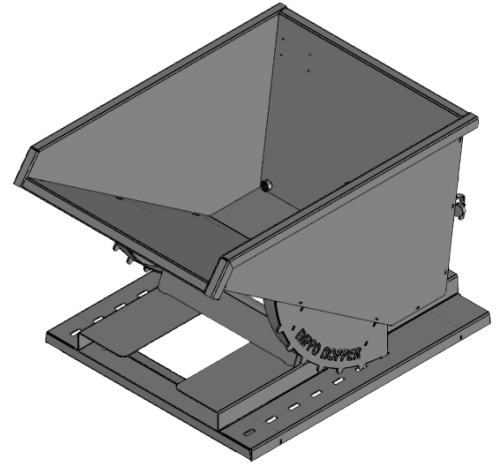
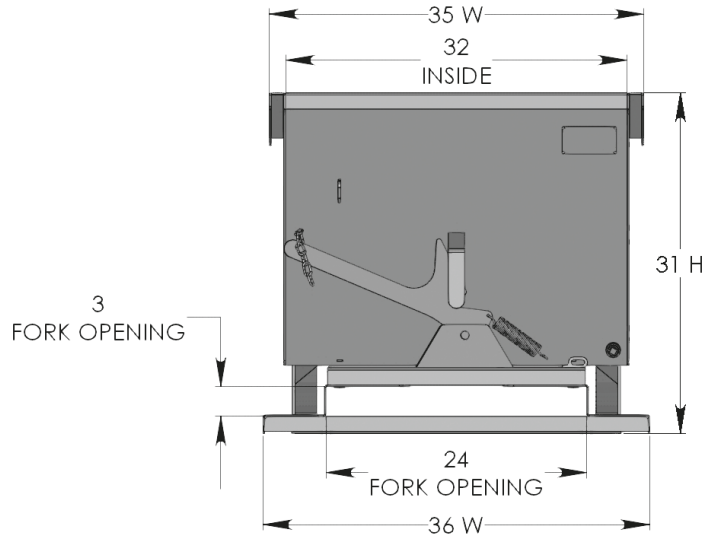
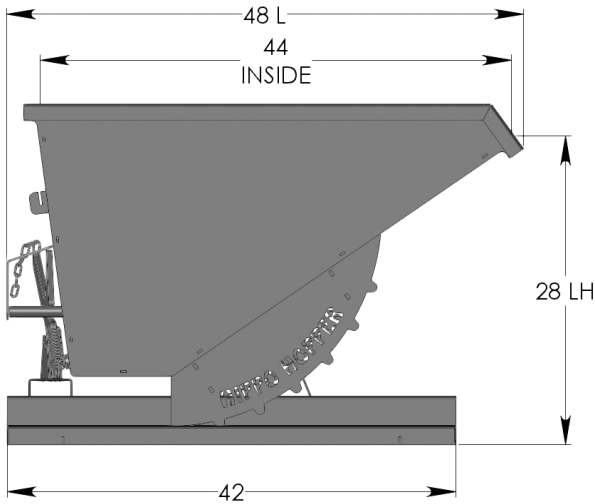


# Specification Sheet for Hippo Hopper Model HH04LD



## 1/3 CU YD LIGHT DUTY HOPPER



| MODEL  | SIZE      | Weight   | L   | W   | H   | LH  | CAPACITY  |
|--------|-----------|----------|-----|-----|-----|-----|-----------|
| HH04LD | 1/3 CU YD | 259 lbs. | 48" | 36" | 32" | 28" | 2000 lbs. |

- Water tight 12 Gauge Carbon Steel Box with 3/4" drain plug
- 3/8" Laser cut single piece gear style rockers
- 10 Gauge Formed Steel Base: 36"W x 41"L
- Fork pocket opening: 24"W x 2.75"H
- Formed top rails: 1-1/2" x 1-1/2"
- Big & Easy pull-down handle release with safety chain



This Light Duty Hippo Hopper has a 12 Gauge Carbon Steel watertight box with a 1-1/2" x 1-1/2" formed top rail and 10 Gauge formed steel base. All Hippo Hoppers have a two piece rocker that is designed to allow the hopper to rock back into position after dumping (the fewer parts, the fewer problems). Each hopper is also equipped with a pull-down handle, making the hopper easier and safer to dump. Standard finish - gray industrial paint - optional colors, powder coating and hot galvanizing finish also available.

Customer Service: (832) 456-4516 or (832) 456-4522 Email: sales@hippohopper.com

The **Hippo Hopper** self-dumping hopper is the fastest, safest, easiest, and most economical way to load, transport and dump scrap and bulk material.

Manufactured by:



Hippo Hopper Plant • 27807 Red Fox Rd. • Tomball, TX 77377  
 FabCorp, Inc. • 6951 West Little York Rd. • Houston, TX 77040

