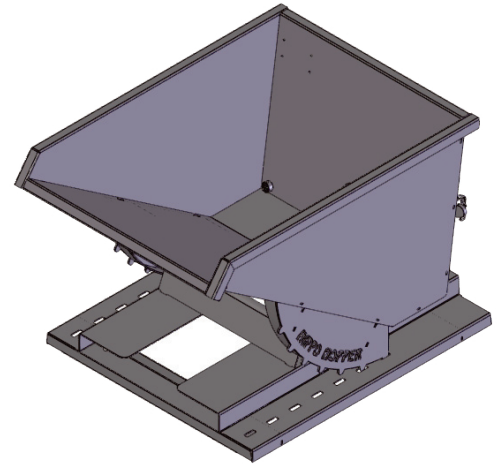
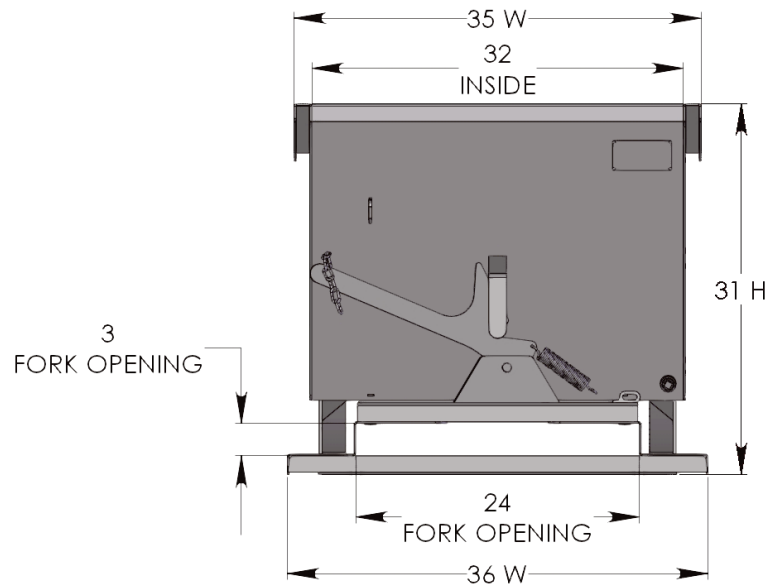
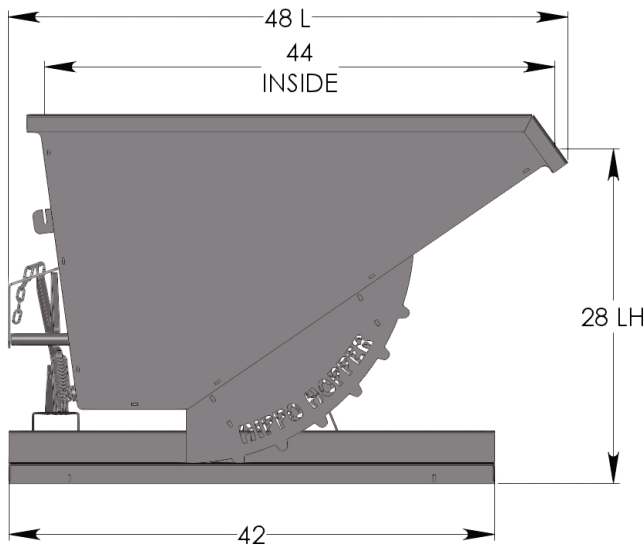


Specification Sheet for Hippo Hopper Model HH04HD



1/3 CU YD HEAVY DUTY HOPPER



MODEL	SIZE	Weight	L	W	H	LH	CAPACITY
HH04HD	1/3 CU YD	331 lbs.	48"	36"	32"	29"	4500 lbs.

- Water tight 8 Gauge Carbon Steel Box with 3/4" drain plug
- 3/8" Laser cut single piece gear style rockers
- 10 Gauge Formed Steel Base: 36"W x 41"L
- Fork pocket opening: 24"W x 2.75"H
- Formed top rails: 1-1/2" x 1-1/2"
- Big & Easy pull-down handle release with safety chain



The Hippo Hopper has a single piece gear style rocker designed to allow the hopper to roll forward for a complete dump and then roll back to an upright locked position after dumping (the fewer parts, the fewer problems). Each hopper is also equipped with a pull-down handle, making the hopper easier and safer to dump. Standard finish on all hoppers includes gray industrial paint (optional colors, powder coating, galvanizing steel and stainless steel also available).

Customer Service: (832) 456-4516 or (832) 456-4522 Email: sales@hippohopper.com

The **Hippo Hopper** self-dumping hopper is the fastest, safest, easiest, and most economical way to load, transport and dump scrap and bulk material.

Manufactured by:



Hippo Hopper Plant • 27807 Red Fox Rd. • Tomball, TX 77377
 FabCorp, Inc. • 6951 West Little York Rd. • Houston, TX 77040

