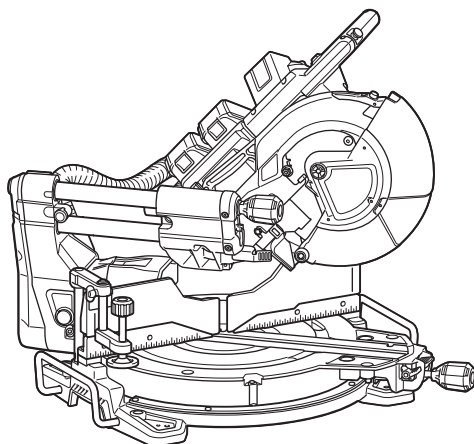


**INSTRUCTION MANUAL
MANUAL DE INSTRUCCIONES**



Cordless Slide Compound Miter Saw Sierra de Inglete Inalámbrica

**XSL03
XSL04
XSL06**



IMPORTANT: Read Before Using.
IMPORTANTE: Lea antes de usar.

SPECIFICATIONS

Model:	XSL03	XSL04	XSL06
Blade diameter	255 mm (10")		
Hole diameter	15.88 mm (5/8")		
Max. kerf thickness of the saw blade	3.2 mm (1/8")		
Max. miter angle	Right 60°, Left 60°		
Max. bevel angle	Right 48°, Left 48°		
No load speed (RPM)	4,400 /min		
Laser type	-	Wavelength 655 nm, Maximum output < 1mW (Laser Class II)	
Rated voltage	D.C. 36 V		
Battery cartridge	BL1815N, BL1820B, BL1830, BL1830B, BL1840B, BL1850B, BL1860B		
Charger	DC18RC, DC18RD, DC18RE, DC18SD, DC18SE, DC18SF		
Dimensions (L x W x H)	805 mm x 644 mm x 660 mm (31-3/4" x 25-3/8" x 26")		
Net weight	26.6 - 27.3 kg (58.6 - 60.2 lbs)		

Cutting capacities (H x W)

Miter angle	Bevel angle		
	45° (left)	0°	45° (right)
0°	47 mm x 305 mm (1-7/8" x 12") 61 mm x 279 mm (2-3/8" x 11")	71 mm x 305 mm (2-13/16" x 12") 91 mm x 279 mm (3-5/8" x 11")	29 mm x 305 mm (1-1/8" x 12") 43 mm x 279 mm (1-11/16" x 11")
45° (right and left)	47 mm x 215 mm (1-7/8" x 8-1/2") 61 mm x 197 mm (2-3/8" x 7-3/4")	71 mm x 215 mm (2-13/16" x 8-1/2") 91 mm x 197 mm (3-5/8" x 7-3/4")	29 mm x 215 mm (1-1/8" x 8-1/2") 43 mm x 197 mm (1-11/16" x 7-3/4")
60° (right and left)	-	71 mm x 152 mm (2-13/16" x 6") 91 mm x 139 mm (3-5/8" x 5-1/2")	-

Cutting capacities for special cuttings

Type of cutting	Cutting capacity
Crown molding 45° type (with crown molding stopper used)	168 mm (6-5/8")
Base board (with horizontal vise used)	133 mm (5-1/4")

- Due to our continuing program of research and development, the specifications herein are subject to change without notice.
- Specifications and battery cartridge may differ from country to country.
- The weight may differ depending on the attachment(s), including the battery cartridge. The lightest and heaviest combination, according to EPTA-Procedure 01/2014, are shown in the table.

SAFETY WARNINGS

For your own safety, read instruction manual before operating tool. Save it for future reference.

General power tool safety warnings

⚠️WARNING: Read all safety warnings, instructions, illustrations and specifications provided with this power tool. Failure to follow all instructions listed below may result in electric shock, fire and/or serious injury.

Save all warnings and instructions for future reference.

The term "power tool" in the warnings refers to your mains-operated (corded) power tool or BATTERY-operated (cordless) power tool.

Work area safety

1. **Keep work area clean and well lit.** Cluttered or dark areas invite accidents.
2. **Do not operate power tools in explosive atmospheres, such as in the presence of flammable liquids, gases or dust.** Power tools create sparks which may ignite the dust or fumes.
3. **Keep children and bystanders away while operating a power tool.** Distractions can cause you to lose control.

Electrical Safety

1. **Power tool plugs must match the outlet. Never modify the plug in any way. Do not use any adapter plugs with earthed (grounded) power tools.** Unmodified plugs and matching outlets will reduce risk of electric shock.
2. **Avoid body contact with earthed or grounded surfaces, such as pipes, radiators, ranges and refrigerators.** There is an increased risk of electric shock if your body is earthed or grounded.
3. **Do not expose power tools to rain or wet conditions.** Water entering a power tool will increase the risk of electric shock.
4. **Do not abuse the cord. Never use the cord for carrying, pulling or unplugging the power tool. Keep cord away from heat, oil, sharp edges or moving parts.** Damaged or entangled cords increase the risk of electric shock.
5. **When operating a power tool outdoors, use an extension cord suitable for outdoor use.** Use of a cord suitable for outdoor use reduces the risk of electric shock.
6. **If operating a power tool in a damp location is unavoidable, use a ground fault circuit interrupter (GFCI) protected supply.** Use of a GFCI reduces the risk of electric shock.
7. **Power tools can produce electromagnetic fields (EMF) that are not harmful to the user.** However, users of pacemakers and other similar medical devices should contact the maker of their device and/or doctor for advice before operating this power tool.

Personal Safety

1. **Stay alert, watch what you are doing and use common sense when operating a power tool. Do not use a power tool while you are tired or under the influence of drugs, alcohol or medication.** A moment of inattention while operating power tools may result in serious personal injury.
2. **Use personal protective equipment. Always wear eye protection.** Protective equipment such as dust mask, non-skid safety shoes, hard hat, or hearing protection used for appropriate conditions will reduce personal injuries.
3. **Prevent unintentional starting. Ensure the switch is in the off-position before connecting to power source and/or BATTERY pack, picking up or carrying the tool.** Carrying power tools with your finger on the switch or energising power tools that have the switch on invites accidents.
4. **Remove any adjusting key or wrench before turning the power tool on.** A wrench or a key left attached to a rotating part of the power tool may result in personal injury.
5. **Do not overreach. Keep proper footing and balance at all times.** This enables better control of the power tool in unexpected situations.
6. **Dress properly. Do not wear loose clothing or jewellery. Keep your hair, clothing and gloves away from moving parts.** Loose clothes, jewellery or long hair can be caught in moving parts.
7. **If devices are provided for the connection of dust extraction and collection facilities, ensure these are connected and properly used.** Use of dust collection can reduce dust-related hazards.
8. **Do not let familiarity gained from frequent use of tools allow you to become complacent and ignore tool safety principles.** A careless action can cause severe injury within a fraction of a second.
9. **Always wear protective goggles to protect your eyes from injury when using power tools. The goggles must comply with ANSI Z87.1 in the USA.**
It is an employer's responsibility to enforce the use of appropriate safety protective equipments by the tool operators and by other persons in the immediate working area.

Power tool use and care

1. **Do not force the power tool. Use the correct power tool for your application.** The correct power tool will do the job better and safer at the rate for which it was designed.
2. **Do not use the power tool if the switch does not turn it on and off.** Any power tool that cannot be controlled with the switch is dangerous and must be repaired.
3. **Disconnect the plug from the power source and/or remove the BATTERY pack, if detachable, from the power tool before making any adjustments, changing accessories, or storing power tools.** Such preventive safety measures reduce the risk of starting the power tool accidentally.
4. **Store idle power tools out of the reach of children and do not allow persons unfamiliar with the power tool or these instructions to operate the power tool.** Power tools are dangerous in the hands of untrained users.

5. **Maintain power tools and accessories. Check for misalignment or binding of moving parts, breakage of parts and any other condition that may affect the power tool's operation. If damaged, have the power tool repaired before use.** Many accidents are caused by poorly maintained power tools.
6. **Keep cutting tools sharp and clean.** Properly maintained cutting tools with sharp cutting edges are less likely to bind and are easier to control.
7. **Use the power tool, accessories and tool bits etc. in accordance with these instructions, taking into account the working conditions and the work to be performed.** Use of the power tool for operations different from those intended could result in a hazardous situation.
8. **Keep handles and grasping surfaces dry, clean and free from oil and grease.** Slippery handles and grasping surfaces do not allow for safe handling and control of the tool in unexpected situations.
9. **When using the tool, do not wear cloth work gloves which may be entangled.** The entanglement of cloth work gloves in the moving parts may result in personal injury.

BATTERY tool use and care

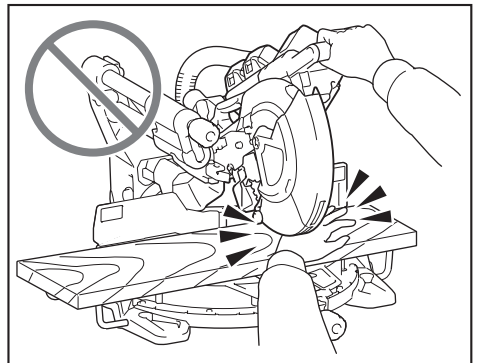
1. **Recharge only with the charger specified by the manufacturer.** A charger that is suitable for one type of BATTERY pack may create a risk of fire when used with another BATTERY pack.
2. **Use power tools only with specifically designated BATTERY packs.** Use of any other BATTERY packs may create a risk of injury and fire.
3. **When BATTERY pack is not in use, keep it away from other metal objects, like paper clips, coins, keys, nails, screws or other small metal objects, that can make a connection from one terminal to another.** Shorting the BATTERY terminals together may cause burns or a fire.
4. **Under abusive conditions, liquid may be ejected from the BATTERY; avoid contact. If contact accidentally occurs, flush with water. If liquid contacts eyes, additionally seek medical help.** Liquid ejected from the BATTERY may cause irritation or burns.
5. **Do not use a BATTERY pack or tool that is damaged or modified.** Damaged or modified batteries may exhibit unpredictable behaviour resulting in fire, EXPLOSION or risk of injury.
6. **Do not expose a BATTERY pack or tool to fire or excessive temperature.** Exposure to fire or temperature above 130 °C may cause explosion.
7. **Follow all charging instructions and do not charge the BATTERY pack or tool outside the temperature range specified in the instructions.** Charging improperly or at temperatures outside the specified range may damage the BATTERY and increase the risk of fire.

Service

1. **Have your power tool serviced by a qualified repair person using only identical replacement parts.** This will ensure that the safety of the power tool is maintained.
2. **Never service damaged BATTERY packs.** Service of BATTERY packs should only be performed by the manufacturer or authorized service providers.
3. **Follow instruction for lubricating and changing accessories.**

Safety instructions for mitre saws

1. **Mitre saws are intended to cut wood or wood-like products, they cannot be used with abrasive cut-off wheels for cutting ferrous material such as bars, rods, studs, etc.** Abrasive dust causes moving parts such as the lower guard to jam. Sparks from abrasive cutting will burn the lower guard, the kerf insert and other plastic parts.
2. **Use clamps to support the workpiece whenever possible. If supporting the workpiece by hand, you must always keep your hand at least 100 mm from either side of the saw blade. Do not use this saw to cut pieces that are too small to be securely clamped or held by hand.** If your hand is placed too close to the saw blade, there is an increased risk of injury from blade contact.
3. **The workpiece must be stationary and clamped or held against both the fence and the table. Do not feed the workpiece into the blade or cut "freehand" in any way.** Unrestrained or moving workpieces could be thrown at high speeds, causing injury.
4. **Push the saw through the workpiece. Do not pull the saw through the workpiece. To make a cut, raise the saw head and pull it out over the workpiece without cutting, start the motor, press the saw head down and push the saw through the workpiece.** Cutting on the pull stroke is likely to cause the saw blade to climb on top of the workpiece and violently throw the blade assembly towards the operator.
5. **Never cross your hand over the intended line of cutting either in front or behind the saw blade.** Supporting the workpiece "cross handed" i.e. holding the workpiece to the right of the saw blade with your left hand or vice versa is very dangerous.

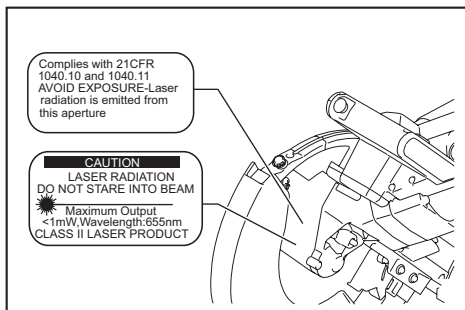


6. **Do not reach behind the fence with either hand closer than 100 mm from either side of the saw blade, to remove wood scraps, or for any other reason while the blade is spinning.** The proximity of the spinning saw blade to your hand may not be obvious and you may be seriously injured.
 7. **Inspect your workpiece before cutting. If the workpiece is bowed or warped, clamp it with the outside bowed face toward the fence. Always make certain that there is no gap between the workpiece, fence and table along the line of the cut.** Bent or warped workpieces can twist or shift and may cause binding on the spinning saw blade while cutting. There should be no nails or foreign objects in the workpiece.
 8. **Do not use the saw until the table is clear of all tools, wood scraps, etc., except for the workpiece.** Small debris or loose pieces of wood or other objects that contact the revolving blade can be thrown with high speed.
 9. **Cut only one workpiece at a time.** Stacked multiple workpieces cannot be adequately clamped or braced and may bind on the blade or shift during cutting.
 10. **Ensure the mitre saw is mounted or placed on a level, firm work surface before use.** A level and firm work surface reduces the risk of the mitre saw becoming unstable.
 11. **Plan your work. Every time you change the bevel or mitre angle setting, make sure the adjustable fence is set correctly to support the workpiece and will not interfere with the blade or the guarding system.** Without turning the tool "ON" and with no workpiece on the table, move the saw blade through a complete simulated cut to assure there will be no interference or danger of cutting the fence.
 12. **Provide adequate support such as table extensions, saw horses, etc. for a workpiece that is wider or longer than the table top.** Workpieces longer or wider than the mitre saw table can tip if not securely supported. If the cut-off piece or workpiece tips, it can lift the lower guard or be thrown by the spinning blade.
 13. **Do not use another person as a substitute for a table extension or as additional support.** Unstable support for the workpiece can cause the blade to bind or the workpiece to shift during the cutting operation pulling you and the helper into the spinning blade.
 14. **The cut-off piece must not be jammed or pressed by any means against the spinning saw blade.** If confined, i.e. using length stops, the cut-off piece could get wedged against the blade and thrown violently.
 15. **Always use a clamp or a fixture designed to properly support round material such as rods or tubing.** Rods have a tendency to roll while being cut, causing the blade to "bite" and pull the work with your hand into the blade.
 16. **Let the blade reach full speed before contacting the workpiece.** This will reduce the risk of the workpiece being thrown.
 17. **If the workpiece or blade becomes jammed, turn the mitre saw off. Wait for all moving parts to stop and disconnect the plug from the power source and/or remove the battery pack. Then work to free the jammed material.** Continued sawing with a jammed workpiece could cause loss of control or damage to the mitre saw.
 18. **After finishing the cut, release the switch, hold the saw head down and wait for the blade to stop before removing the cut-off piece.** Reaching with your hand near the coasting blade is dangerous.
 19. **Hold the handle firmly when making an incomplete cut or when releasing the switch before the saw head is completely in the down position.** The braking action of the saw may cause the saw head to be suddenly pulled downward, causing a risk of injury.
 20. **Only use the saw blade with the diameter that is marked on the tool or specified in the manual.** Use of an incorrectly sized blade may affect the proper guarding of the blade or guard operation which could result in serious personal injury.
 21. **Only use the saw blades that are marked with a speed equal or higher than the speed marked on the tool.**
 22. **Always select the correct saw blade for the material to be cut. Do not use the saw blade to cut materials other than those specified.**
 23. **Do not use the saw to cut other than wood, aluminum or similar materials.**
- Additional instructions**
1. **Make workshop kid proof with padlocks.**
 2. **Never stand on the tool.** Serious injury could occur if the tool is tipped or if the cutting tool is unintentionally contacted.
 3. **Never leave the tool running unattended. Turn the power off. Do not leave tool until it comes to a complete stop.**
 4. **Do not operate saw without guards in place. Check blade guard for proper closing before each use. Do not operate saw if blade guard does not move freely and close instantly. Never clamp or tie the blade guard into the open position.**
 5. **Keep hands out of path of saw blade. Avoid contact with any coasting blade. It can still cause severe injury.**
 6. **To reduce the risk of injury, return carriage to the full rear position after each crosscut operation.**
 7. **Always secure all moving portions before carrying the tool.**
 8. **Stopper pin which locks the cutter head down is for carrying and storage purposes only and not for any cutting operations.**
 9. **Check the blade carefully for cracks or damage before operation. Replace cracked or damaged blade immediately. Gum and wood pitch hardened on blades slows saw and increases potential for kickback. Keep blade clean by first removing it from tool, then cleaning it with gum and pitch remover, hot water or kerosene. Never use gasoline to clean blade.**

10. While making a slide cut, KICKBACK can occur. KICKBACK occurs when the blade binds in the workpiece during a cutting operation and the saw blade is driven rapidly towards the operator. Loss of control and serious personal injury can result. If blade begins to bind during a cutting operation, do not continue to cut and release switch immediately.
11. Use only flanges specified for this tool.
12. Be careful not to damage the arbor, flanges (especially the installing surface) or bolt. Damage to these parts could result in blade breakage.
13. Make sure that the turn base is properly secured so it will not move during operation. Use the holes in the base to fasten the saw to a stable work platform or bench. NEVER use tool where operator positioning would be awkward.
14. Make sure the shaft lock is released before the switch is turned on.
15. Be sure that the blade does not contact the turn base in the lowest position.
16. Hold the handle firmly. Be aware that the saw moves up or down slightly during start-up and stopping.
17. Make sure the blade is not contacting the workpiece before the switch is turned on.
18. Before using the tool on an actual workpiece, let it run for a while. Watch for vibration or wobbling that could indicate poor installation or a poorly balanced blade.
19. Stop operation immediately if you notice anything abnormal.
20. Do not attempt to lock the trigger in the "ON" position.
21. Always use accessories recommended in this manual. Use of improper accessories such as abrasive wheels may cause an injury.
22. Some material contains chemicals which may be toxic. Take caution to prevent dust inhalation and skin contact. Follow material supplier safety data.


Additional safety rules for the laser

1. **LASER RADIATION DO NOT STARE INTO BEAM.**
2. **AVOID EXPOSURE - LASER RADIATION IS EMITTED FROM APERTURE.**
3. **USE OF CONTROLS OR ADJUSTMENTS OR PERFORMANCE OF PROCEDURES OTHER THAN THOSE SPECIFIED HEREIN MAY RESULT IN HAZARDOUS RADIATION EXPOSURE.**



Symbols

The followings show the symbols used for tool.

v	volts
— ---	direct current
n ₀	no load speed
.../min r/min	revolutions or reciprocation per minute
	Do not place hand or fingers close to the blade.

Important safety instructions for battery cartridge

1. Before using battery cartridge, read all instructions and cautionary markings on (1) battery charger, (2) battery, and (3) product using battery.
2. Do not disassemble battery cartridge.
3. If operating time has become excessively shorter, stop operating immediately. It may result in a risk of overheating, possible burns and even an explosion.
4. If electrolyte gets into your eyes, rinse them out with clear water and seek medical attention right away. It may result in loss of your eyesight.
5. Do not short the battery cartridge:
 - (1) Do not touch the terminals with any conductive material.
 - (2) Avoid storing battery cartridge in a container with other metal objects such as nails, coins, etc.
 - (3) Do not expose battery cartridge to water or rain.

A battery short can cause a large current flow, overheating, possible burns and even a breakdown.

6. Do not store the tool and battery cartridge in locations where the temperature may reach or exceed 50 °C (122 °F).
7. Do not incinerate the battery cartridge even if it is severely damaged or is completely worn out. The battery cartridge can explode in a fire.
8. Be careful not to drop or strike battery.
9. Do not use a damaged battery.
10. The contained lithium-ion batteries are subject to the Dangerous Goods Legislation requirements. For commercial transports e.g. by third parties, forwarding agents, special requirement on packaging and labeling must be observed. For preparation of the item being shipped, consulting an expert for hazardous material is required. Please also observe possibly more detailed national regulations. Tape or mask off open contacts and pack up the battery in such a manner that it cannot move around in the packaging.

11. Follow your local regulations relating to disposal of battery.

SAVE THESE INSTRUCTIONS.

⚠ CAUTION: Only use genuine Makita batteries. Use of non-genuine Makita batteries, or batteries that have been altered, may result in the battery bursting causing fires, personal injury and damage. It will also void the Makita warranty for the Makita tool and charger.

Tips for maintaining maximum battery life

1. Charge the battery cartridge before completely discharged. Always stop tool operation and charge the battery cartridge when you notice less tool power.
2. Never recharge a fully charged battery cartridge. Overcharging shortens the battery service life.
3. Charge the battery cartridge with room temperature at 10 °C - 40 °C (50 °F - 104 °F). Let a hot battery cartridge cool down before charging it.
4. Charge the battery cartridge if you do not use it for a long period (more than six months).

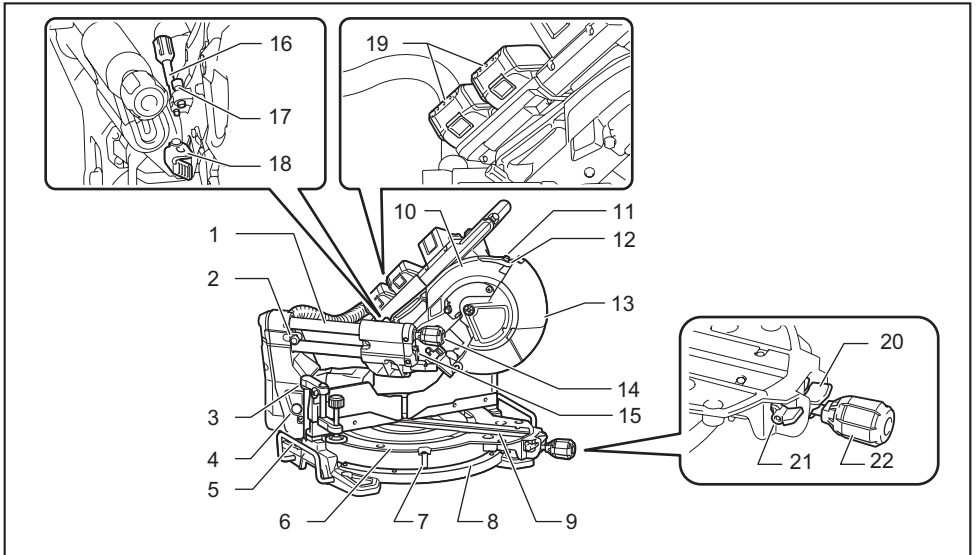
Important safety instructions for wireless unit

1. Do not disassemble or tamper with the wireless unit.
2. Keep the wireless unit away from young children. If accidentally swallowed, seek medical attention immediately.
3. Use the wireless unit only with Makita tools.
4. Do not expose the wireless unit to rain or wet conditions.
5. Do not use the wireless unit in places where the temperature exceeds 50°C (122°F).
6. Do not operate the wireless unit in places where medical instruments, such as heart pace makers are near by.
7. Do not operate the wireless unit in places where automated devices are near by. If operated, automated devices may develop malfunction or error.
8. The wireless unit can produce electromagnetic fields (EMF) but they are not harmful to the user.
9. The wireless unit is an accurate instrument. Be careful not to drop or strike the wireless unit.
10. Avoid touching the terminal of the wireless unit with bare hands or metallic materials.
11. Always remove the battery on the tool when installing the wireless unit.
12. When opening the lid of the slot, avoid the place where dust and water may come into the slot. Always keep the inlet of the slot clean.
13. Always insert the wireless unit in the correct direction.

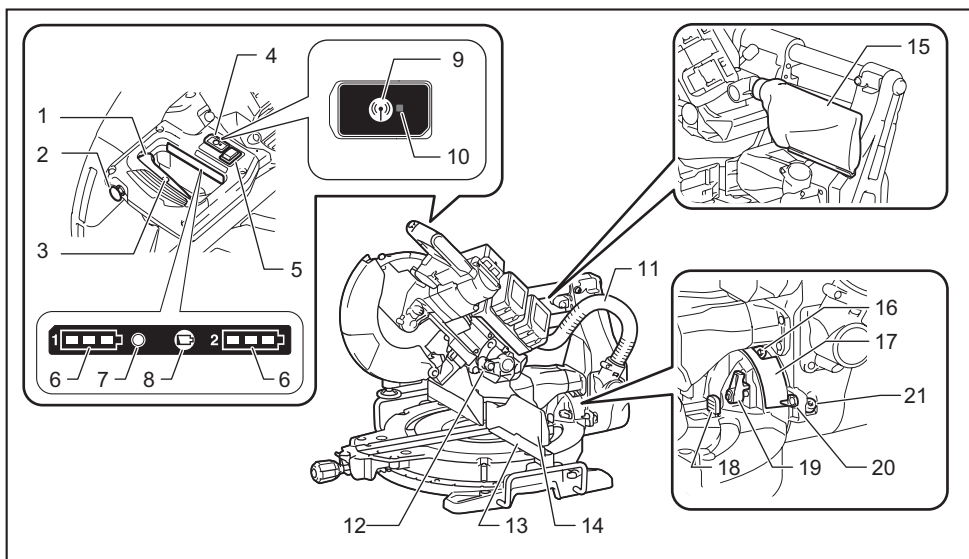
14. Do not press the wireless activation button on the wireless unit too hard and/or press the button with an object with a sharp edge.
15. Always close the lid of the slot when operating.
16. Do not remove the wireless unit from the slot while the power is being supplied to the tool. Doing so may cause a malfunction of the wireless unit.
17. Do not remove the sticker on the wireless unit.
18. Do not put any sticker on the wireless unit.
19. Do not leave the wireless unit in a place where static electricity or electrical noise could be generated.
20. Do not leave the wireless unit in a place subject to high heat, such as a car sitting in the sun.
21. Do not leave the wireless unit in a dusty or powdery place or in a place corrosive gas could be generated.
22. Sudden change of the temperature may bedew the wireless unit. Do not use the wireless unit until the dew is completely dried.
23. When cleaning the wireless unit, gently wipe with a dry soft cloth. Do not use benzine, thinner, conductive grease or the like.
24. When storing the wireless unit, keep it in the supplied case or a static-free container.
25. Do not insert any devices other than Makita wireless unit into the slot on the tool.
26. Do not use the tool with the lid of the slot damaged. Water, dust, and dirt come into the slot may cause malfunction.
27. Do not pull and/or twist the lid of the slot more than necessary. Restore the lid if it comes off from the tool.
28. Replace the lid of the slot if it is lost or damaged.

SAVE THESE INSTRUCTIONS.

PARTS DESCRIPTION



1	Slide pole	2	Stopper pin (for carriage sliding)	3	Vertical vise	4	Releasing button (for right side bevel angle)
5	Holder	6	Turn base	7	Pointer (for miter angle)	8	Miter angle scale
9	Kerf board	10	Blade case	11	Adjusting screw (for laser line)	12	Range adjustment screw (for laser line)
13	Blade guard	14	Knob (for bevel angle)	15	Hex wrench	16	Adjusting screw (for lower limit position)
17	Adjusting bolt (for maximum cutting capacity)	18	Stopper arm	19	Battery cartridge	20	Lock lever (for turn base)
21	Releasing lever (for turn base)	22	Grip (for turn base)	-	-	-	-

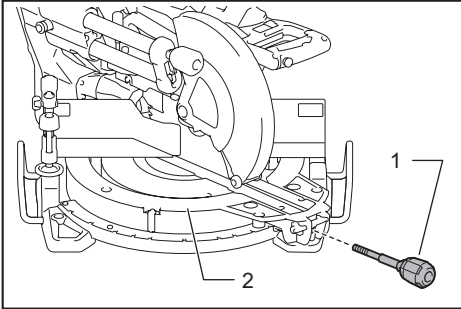


1	Switch trigger	2	Lock-off button	3	Hole for padlock	4	Lid (for wireless unit) (For XSL04 only)
5	Switch (for laser line) (For XSL04, XSL06 only)	6	Battery indicator	7	Mode indicator	8	Check button
9	Wireless activation button	10	Wireless activation lamp	11	Hose (for dust extraction)	12	Stopper pin (for carriage elevation)
13	Guide fence (lower fence)	14	Guide fence (upper fence)	15	Dust bag	16	0° adjusting bolt (for bevel angle)
17	Bevel angle scale	18	Releasing lever (for 48° bevel angle)	19	Latch lever (for bevel angle)	20	Pointer (for bevel angle)
21	45° adjusting bolt (for bevel angle)	-	-	-	-	-	-

INSTALLATION

Installing the grip

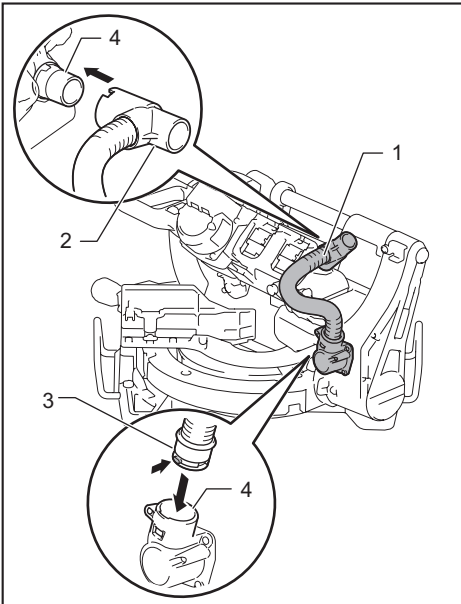
Screw the threaded shaft of the grip into the turn base.



► 1. Grip 2. Turn base

Installing the dust extraction hose

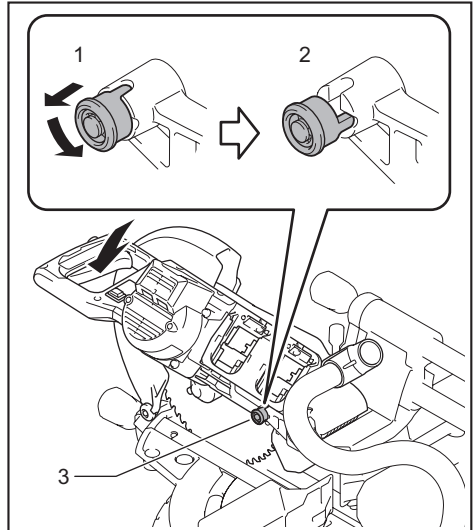
Connect the dust extraction hose to the tool as illustrated. Make sure that the elbow and the sleeve fit properly to the ports of the tool.



► 1. Dust extraction hose 2. Elbow 3. Sleeve 4. Port

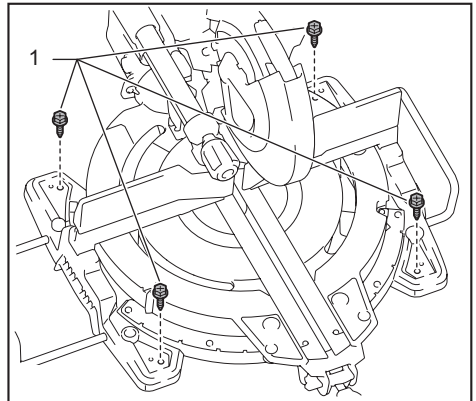
Bench mounting

When the tool is shipped, the handle is locked in the lowered position by the stopper pin. While lowering the handle slightly, pull the stopper pin and rotate it 90°.



► 1. Locked position 2. Unlocked position 3. Stopper pin

This tool should be bolted with four bolts to a level and stable surface using the bolt holes provided in the tool's base. This will help prevent tipping and possible injury.



► 1. Bolt

⚠ WARNING: Ensure that the tool will not move on the supporting surface. Movement of the miter saw on the supporting surface while cutting may result in loss of control and serious personal injury.

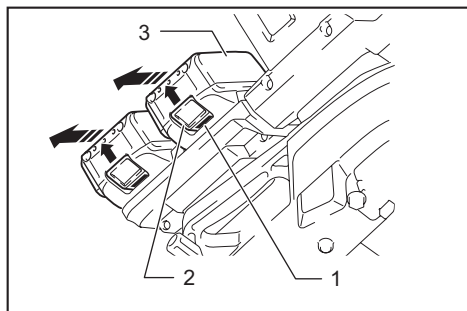
FUNCTIONAL DESCRIPTION

⚠ WARNING: Always be sure that the tool is switched off and the battery cartridge is removed before adjusting or checking the functions on the tool. Failure to switch off and remove the battery cartridge may result in serious personal injury from accidental start-up.

Installing or removing battery cartridge

⚠ CAUTION: Always switch off the tool before installing or removing of the battery cartridge.

⚠ CAUTION: Hold the tool and the battery cartridge firmly when installing or removing battery cartridge. Failure to hold the tool and the battery cartridge firmly may cause them to slip off your hands and result in damage to the tool and battery cartridge and a personal injury.



► 1. Red indicator 2. Button 3. Battery cartridge

To remove the battery cartridge, slide it from the tool while sliding the button on the front of the cartridge.

To install the battery cartridge, align the tongue on the battery cartridge with the groove in the housing and slip it into place. Insert it all the way until it locks in place with a little click. If you can see the red indicator on the upper side of the button, it is not locked completely.

⚠ CAUTION: Always install the battery cartridge fully until the red indicator cannot be seen. If not, it may accidentally fall out of the tool, causing injury to you or someone around you.

⚠ CAUTION: Do not install the battery cartridge forcibly. If the cartridge does not slide in easily, it is not being inserted correctly.

NOTE: The tool does not work with only one battery cartridge.

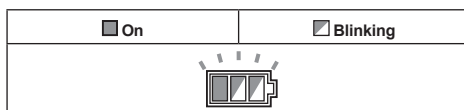
Tool / battery protection system

The tool is equipped with a tool/battery protection system. This system automatically cuts off power to the motor to extend tool and battery life. The tool will automatically stop during operation if the tool or battery is placed under one of the following conditions:

Overload protection

When the tool is operated in a manner that causes it to draw an abnormally high current, the tool automatically stops without any indication. In this situation, turn the tool off and stop the application that caused the tool to become overloaded. Then turn the tool on to restart.

Overheat protection

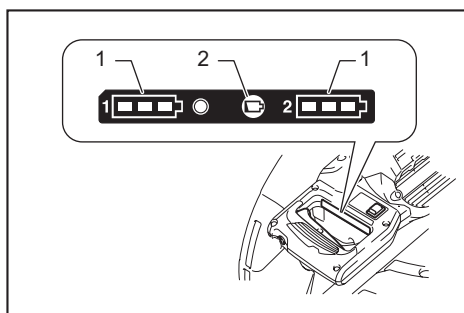


When the tool is overheated, the tool stops automatically, and the battery indicator blinks about 60 seconds. In this situation, let the tool cool down before turning the tool on again.

Overdischarge protection

When the battery capacity becomes low, the tool stops automatically. If the product does not operate even when the switches are operated, remove the batteries from the tool and charge the batteries.

Indicating the remaining battery capacity



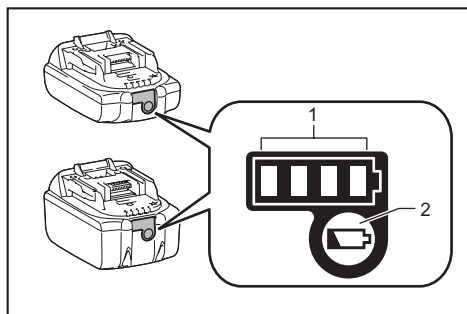
► 1. Battery indicator 2. Check button

Press the check button to indicate the remaining battery capacities. The battery indicators correspond to each battery.

Battery indicator status			Remaining battery capacity
On	Off	Blinking	
			50% to 100%
			20% to 50%
			0% to 20%
			Charge the battery

Indicating the remaining battery capacity

Only for battery cartridges with the indicator



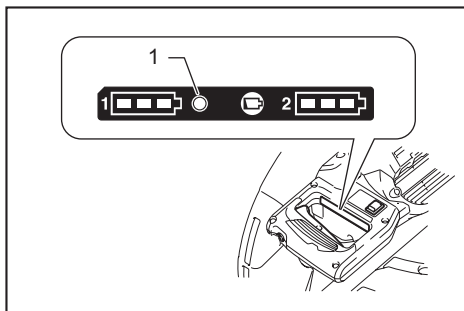
► 1. Indicator lamps 2. Check button

Press the check button on the battery cartridge to indicate the remaining battery capacity. The indicator lamps light up for a few seconds.

Indicator lamps			Remaining capacity
Lighted	Off	Blinking	
			75% to 100%
			50% to 75%
			25% to 50%
			0% to 25%
			Charge the battery.
			The battery may have malfunctioned.

NOTE: Depending on the conditions of use and the ambient temperature, the indication may differ slightly from the actual capacity.

Automatic speed change function

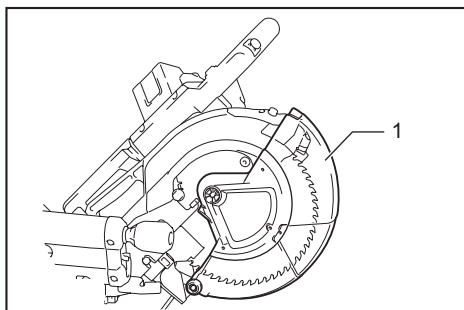


► 1. Mode indicator

Mode indicator status		Operation mode
On	Off	
		High speed mode
		High torque mode

This tool has "high speed mode" and "high torque mode". It automatically changes operation mode depending on the work load. When mode indicator lights up during operation, the tool is in high torque mode.

Blade guard



► 1. Blade guard

When lowering the handle, the blade guard rises automatically. The guard is spring loaded so it returns to its original position when the cut is completed and the handle is raised.

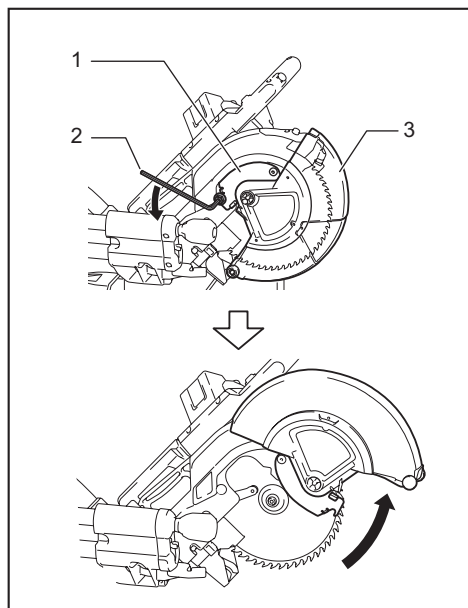
⚠ WARNING: Never defeat or remove the blade guard or the spring which attaches to the guard. An exposed blade as a result of defeated guarding may result in serious personal injury during operation.

In the interest of your personal safety, always maintain the blade guard in good condition. Any irregular operation of the blade guard should be corrected immediately. Check to assure spring loaded return action of guard.

▲WARNING: Never use the tool if the blade guard or spring are damaged, faulty or removed.
Operation of the tool with a damaged, faulty or removed guard may result in serious personal injury.

If the see-through blade guard becomes dirty, or sawdust adheres to it in such a way that the blade and/or workpiece is no longer easily visible, remove the batteries and clean the guard carefully with a damp cloth. Do not use solvents or any petroleum-based cleaners on the plastic guard because this may cause damage to the guard.

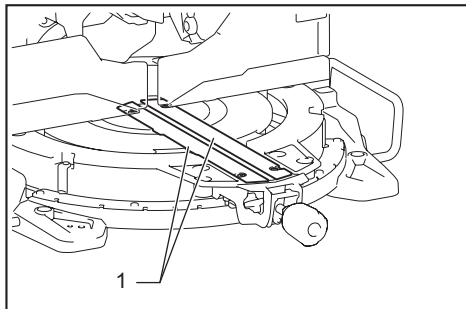
If the blade guard is especially dirty and vision through the guard is impaired, remove the batteries and use the supplied wrench to loosen the hex bolt holding the center cover. Loosen the hex bolt by turning it counterclockwise and raise the blade guard and center cover. With the blade guard so positioned, cleaning can be more completely and efficiently accomplished. When cleaning is complete, reverse procedure above and secure bolt. Do not remove spring holding blade guard. If guard becomes discolored through age or UV light exposure, contact a Makita service center for a new guard. **DO NOT DEFEAT OR REMOVE GUARD.**



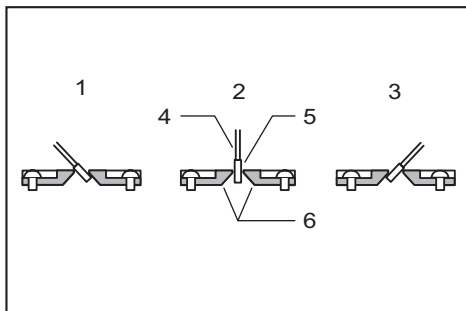
► 1. Center cover 2. Hex wrench 3. Blade guard

Kerf boards

This tool is provided with the kerf boards in the turn base to minimize tearing on the exit side of a cut. The kerf boards are factory adjusted so that the saw blade does not contact the kerf boards. Before use, adjust the kerf boards as follows:



► 1. Kerf board



► 1. Left bevel cut 2. Straight cut 3. Right bevel cut
4. Saw blade 5. Blade teeth 6. Kerf board

First, remove the batteries. Loosen all the screws (2 each on left and right) securing the kerf boards until the kerf boards can still be easily moved by hand. Lower the handle fully, then pull and turn the stopper pin to lock the handle in the lowered position. Release the stopper pin on the sliding pole and pull the carriage toward you fully. Adjust the kerf boards so that the kerf boards just contact the sides of the blade teeth. Tighten the front screws (do not tighten firmly). Push the carriage toward the guide fence fully and adjust the kerf boards so that the kerf boards just contact the sides of blade teeth. Tighten the rear screws (do not tighten firmly).

After adjusting the kerf boards, release the stopper pin and raise the handle. Then tighten all the screws securely.

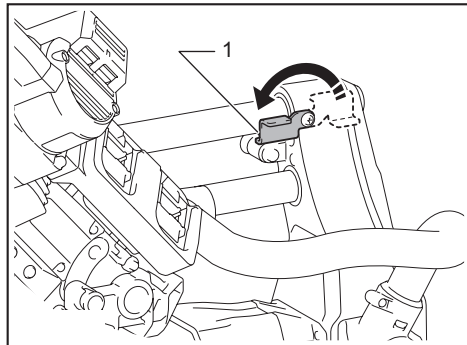
NOTICE: After setting the bevel angle ensure that the kerf boards are adjusted properly. Correct adjustment of the kerf boards will help provide proper support of the workpiece minimizing workpiece tear out.

Maintaining maximum cutting capacity

This tool is factory adjusted to provide the maximum cutting capacity for a 255 mm (10") saw blade.

When installing a new blade, always check the lower limit position of the blade and if necessary, adjust it as follows:

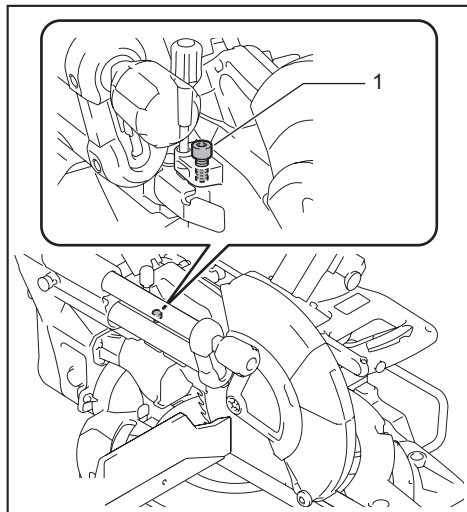
First, remove the batteries. Turn the stopper lever to engaged position.



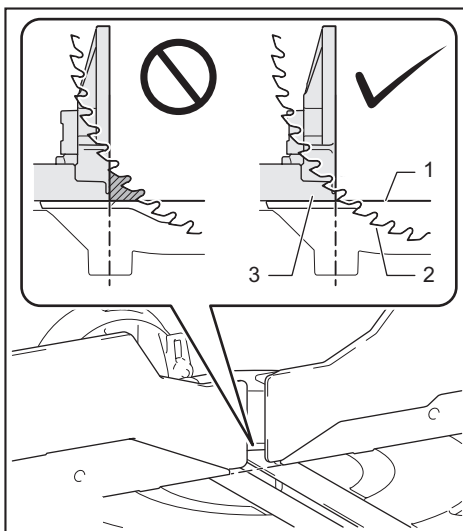
► 1. Stopper lever

Push the carriage toward the guide fence fully and lower the handle completely.

Adjust the blade position by turning the adjusting bolt with the hex wrench. The periphery of the blade should extend slightly below the top surface of the turn base and also comes to the point where the front face of the guide fence meets the top surface of the turn base.



► 1. Adjusting bolt



► 1. Top surface of turn base 2. Periphery of blade
3. Guide fence

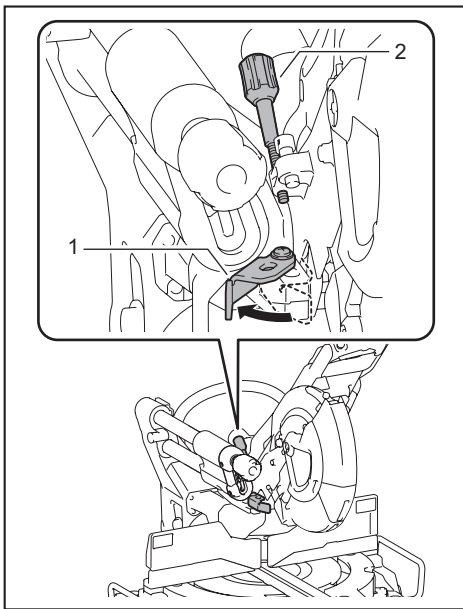
With the batteries removed, rotate the blade by hand while holding the handle all the way down to be sure that the blade does not contact any part of the lower base. Re-adjust slightly, if necessary.

After adjustment, always return the stopper lever to the original position.

⚠WARNING: After installing a new blade and with the batteries removed, always be sure that the blade does not contact any part of the lower base when the handle is lowered completely. If a blade makes contact with the base it may cause kickback and result in serious personal injury.

Stopper arm

The lower limit position of the blade can be easily adjusted with the stopper arm. To adjust it, turn the stopper arm in the direction of the arrow as shown in the figure. Turn the adjusting screw so that the blade stops at the desired position when lowering the handle fully.

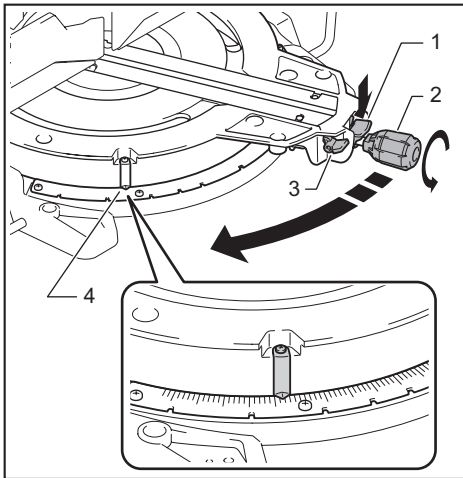


► 1. Stopper arm 2. Adjusting screw

Adjusting the miter angle

⚠ CAUTION: After changing the miter angle, always secure the turn base by tightening the grip firmly.

NOTICE: When turning the turn base, be sure to raise the handle fully.



► 1. Lock lever 2. Grip 3. Releasing lever 4. Pointer

Rotate the grip counterclockwise to unlock the turn base. Turn the grip while holding down the lock lever to move the turn base. Align the pointer with your desired angle on the scale then tighten the grip.

NOTE: If you depress the releasing lever, you can move the turn base without holding down the lock lever. Tighten the grip at your desired position.

This miter saw employs positive stop function. You can set 0°, 15°, 22.5°, 31.6°, 45°, and 60° right/left miter angle quickly. To use this function, move the turn base close to your desired positive stop angle while holding down the lock lever. Then release the lock lever and move the turn base forward until the turn base is locked.

Adjusting the bevel angle

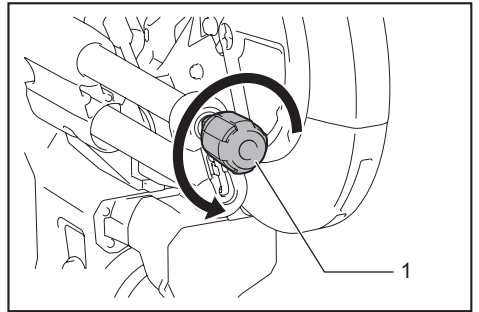
NOTICE: Always remove the upper guide fences and vertical vise before adjusting the bevel angle.

NOTICE: When changing bevel angles, be sure to position the kerf boards appropriately as explained in the "Kerf boards" section.

NOTICE: When tilting the saw blade, be sure to raise the handle fully.

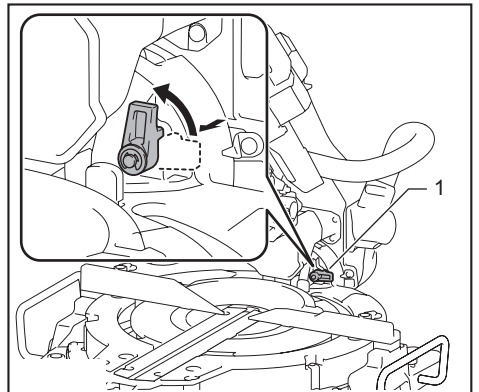
NOTICE: Do not tighten the knob too hard. Doing so may cause malfunction of the locking mechanism of the bevel angle.

1. Turn the knob on the slide pole counterclockwise.



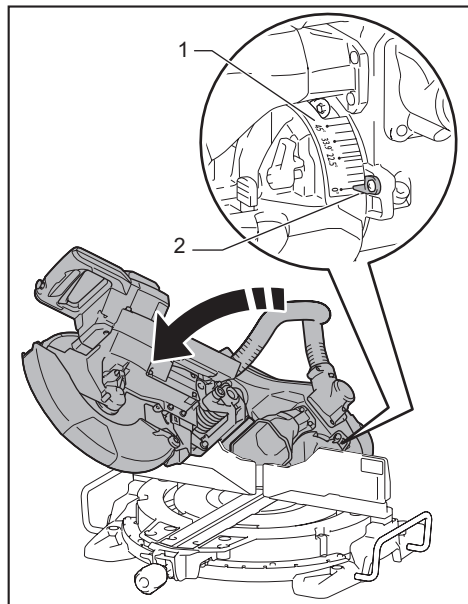
► 1. Knob

2. Pull and turn the latch lever to the position as illustrated.



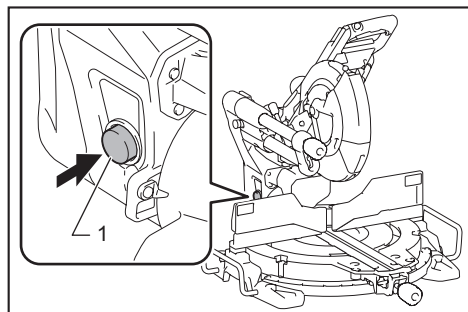
► 1. Latch lever

3. Match the pointer with your desired angle on the scale by moving the carriage then tighten the knob.



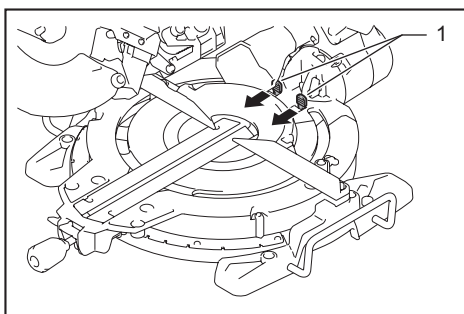
► 1. Bevel angle scale 2. Pointer

To tilt the carriage to the right, tilt the carriage to the left slightly and then tilt it to the right while pressing down the releasing button.



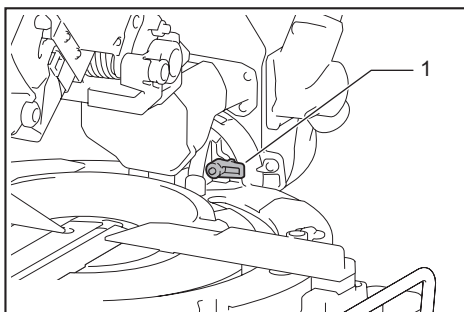
► 1. Releasing button

If you perform a bevel cut greater than 45°, move the carriage while sliding the releasing lever toward the front of the tool. You can perform up to 48° bevel cut.



► 1. Releasing lever

This miter saw employs positive stop function. You can set 22.5° and 33.9° angle to both right and left quickly. Set the latch lever in the position as illustrated and tilt the carriage. To change the angle, pull the latch lever and tilt the carriage.

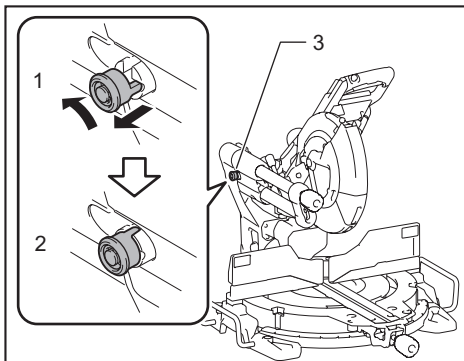


► 1. Latch lever

CAUTION: After changing the bevel angle, always secure the knob.

Slide lock

To lock the sliding movement of the carriage, push the carriage toward the guide fence until it stops. Pull the stopper pin and rotate it 90°.



► 1. Unlocked position 2. Locked position 3. Stopper pin

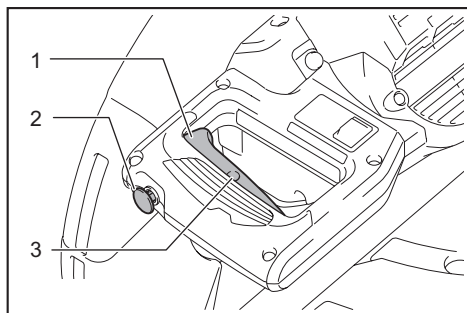
Switch action

⚠WARNING: Before installing the batteries into the tool, always check to see that the switch trigger actuates properly and returns to the "OFF" position when released. Do not pull the switch trigger hard without pressing in the lock-off button. This can cause switch breakage. Operating a tool with a switch that does not actuate properly can lead to loss of control and serious personal injury.

⚠WARNING: NEVER use tool without a fully operative switch trigger. Any tool with an inoperative switch is HIGHLY DANGEROUS and must be repaired before further usage or serious personal injury may occur.

⚠WARNING: NEVER defeat the lock-off button by taping down or some other means. A switch with a negated lock-off button may result in unintentional operation and serious personal injury.

⚠WARNING: NEVER use the tool if it runs when you simply pull the switch trigger without pressing the lock-off button. A switch in need of repair may result in unintentional operation and serious personal injury. Return tool to a Makita service center for proper repairs BEFORE further usage.



► 1. Switch trigger 2. Lock-off button 3. Hole for padlock

To prevent the switch trigger from being accidentally pulled, a lock-off button is provided. To start the tool, press in the lock-off button and pull the switch trigger. Release the switch trigger to stop.

A hole is provided in the switch trigger for insertion of a padlock to lock the tool off.

⚠WARNING: Do not use a lock with a shank or cable any smaller than 6.35 mm (1/4") in diameter. A smaller shank or cable may not properly lock the tool in the off position and unintentional operation may occur resulting in serious personal injury.

Electric brake

This tool is equipped with an electric blade brake. If the tool consistently fails to quickly stop the blade after the switch trigger is released, have the tool serviced at a Makita service center.

⚠CAUTION: The blade brake system is not a substitute for the blade guard. Never use tool without a functioning blade guard. An unguarded blade may result in serious personal injury.

Electronic function

Constant speed control

The tool is provided with an electronic speed control which helps maintain a constant blade rotation speed even under load. A constant blade rotation speed will result in a very smooth cut.

Soft start feature

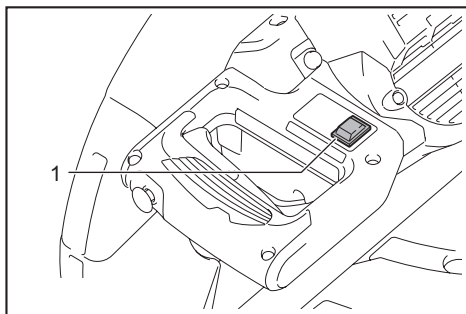
This function allows the smooth start-up of the tool by limiting the start-up torque.

Laser beam action

For XSL04, XSL06 only

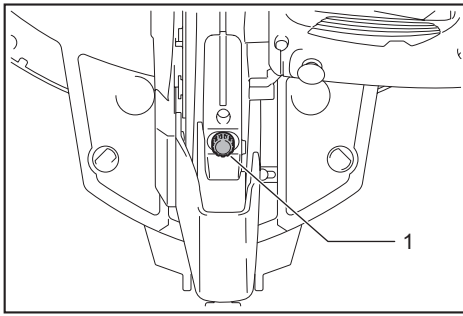
⚠CAUTION: Never look into the laser beam. Direct laser beam may injure your eyes.

To turn on the laser beam, press the upper position (I) of the switch. To turn off the laser beam, press the lower position (O) of the switch.



► 1. Switch for laser

Laser line can be shifted to either the left or right side of the saw blade by turning the adjusting screw as follows.



► 1. Adjusting screw

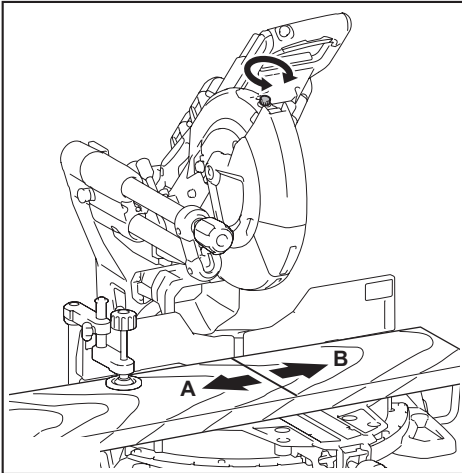
1. Loosen the adjusting screw by turning it counterclockwise.
2. With the adjusting screw loosened, slide the adjusting screw to the right or left as far as it goes.
3. Tighten the adjusting screw firmly at the position where it stops sliding.

NOTE: Laser line is factory adjusted so that it is positioned within 1 mm (0.04") from the side surface of the blade (cutting position).

NOTE: When laser line appears dim and hard to see because of direct sunlight, relocate the work area to a place where there is less direct sunlight.

Aligning the laser line

Align the cutting line on your workpiece with the laser line.



- A) When you want to obtain the correct size on the left side of workpiece, shift the laser line to the left of the blade.
- B) When you want to obtain the correct size on the right side of workpiece, shift the laser line to the right of the blade.

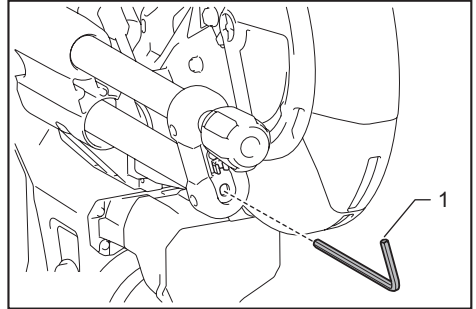
NOTE: Use wood facing against the guide fence when aligning the cutting line with the laser line at the side of guide fence in compound cutting (bevel angle 45° and miter angle right 45°).

ASSEMBLY

⚠WARNING: Always be sure that the tool is switched off and the battery cartridge is removed before working on the tool. Failure to switch off and remove the battery cartridge may result in serious personal injury.

Hex wrench storage

When not in use, store the hex wrench as shown in the figure to keep it from being lost.



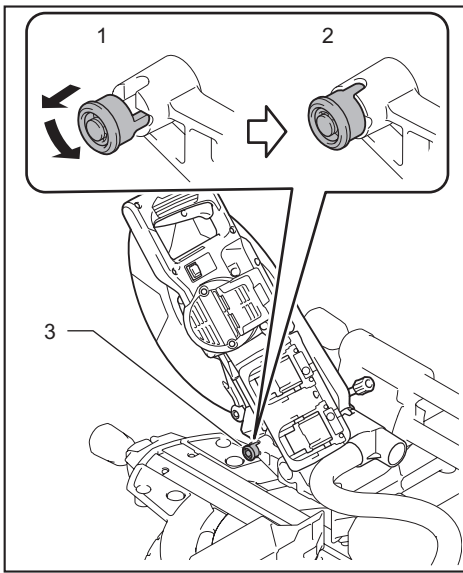
► 1. Hex wrench

Removing and installing saw blade

⚠WARNING: Always be sure that the tool is switched off and the battery cartridge is removed before installing or removing the blade. Accidental start up of the tool may result in serious personal injury.

⚠WARNING: Use only the Makita wrench provided to install or remove the blade. Failure to use the wrench may result in overtightening or insufficient tightening of the hex socket bolt and serious personal injury.

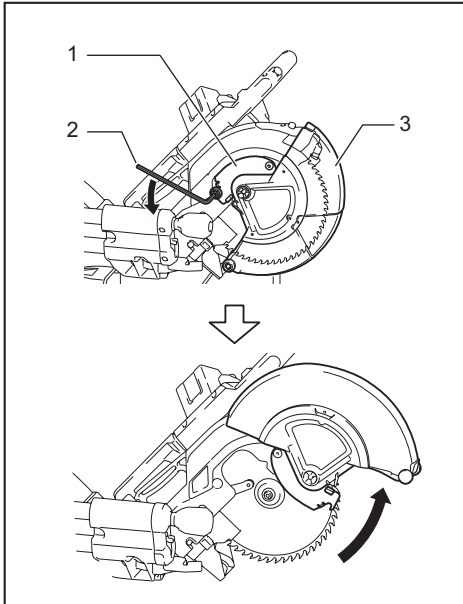
Always lock the carriage with raised position when removing and installing the blade. Pull the stopper pin and rotate it 90° with the carriage raised.



► 1. Unlocked position 2. Locked position 3. Stopper pin

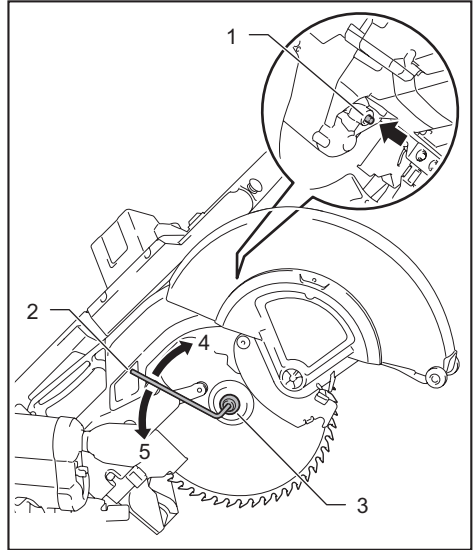
Removing the blade

Loosen the hex bolt holding the center cover using the hex wrench. Raise the blade guard and center cover.



► 1. Center cover 2. Hex wrench 3. Blade guard

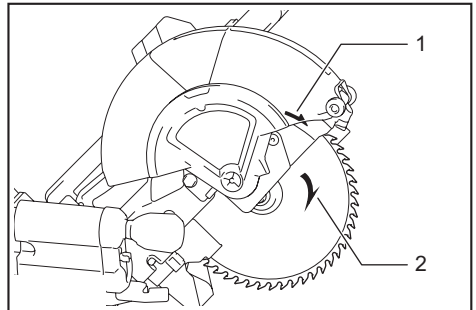
Press the shaft lock to lock the spindle and use the hex wrench to loosen the hex socket bolt. Then remove the hex socket bolt, outer flange and blade.



► 1. Shaft lock 2. Hex wrench 3. Hex socket bolt (left-handed) 4. Loosen 5. Tighten

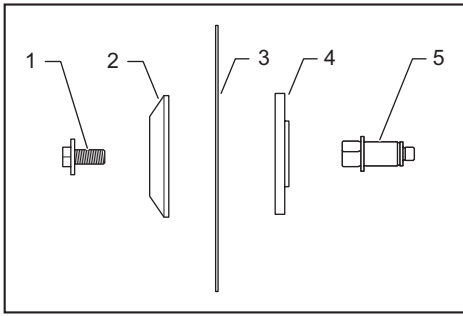
Installing the blade

Mount the blade carefully onto the spindle, making sure that the direction of the arrow on the surface of the blade matches the direction of the arrow on the blade case.



► 1. Arrow on the blade case 2. Arrow on the blade

Install the outer flange and hex socket bolt. Tighten the hex socket bolt counterclockwise using the hex wrench while pressing the shaft lock.



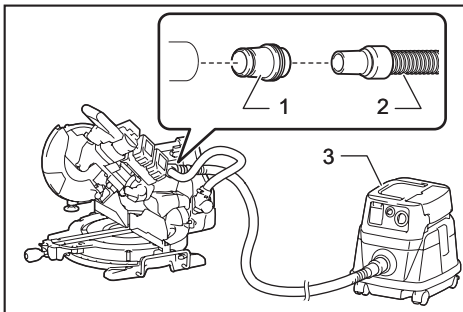
- ▶ 1. Hex socket bolt 2. Outer flange 3. Saw blade 4. Inner flange 5. Spindle

NOTICE: If the inner flange is removed, be sure to install it on the spindle with its protrusion facing away from the blade. If the flange is installed incorrectly, the flange will rub against the machine.

Return the blade guard and center cover to its original position. Then tighten the hex bolt clockwise to secure the center cover. Unlock the stopper pin to release carriage from the raised position. Lower the handle to make sure that the blade guard moves properly. Make sure shaft lock has released spindle before making cut.

Connecting a vacuum cleaner

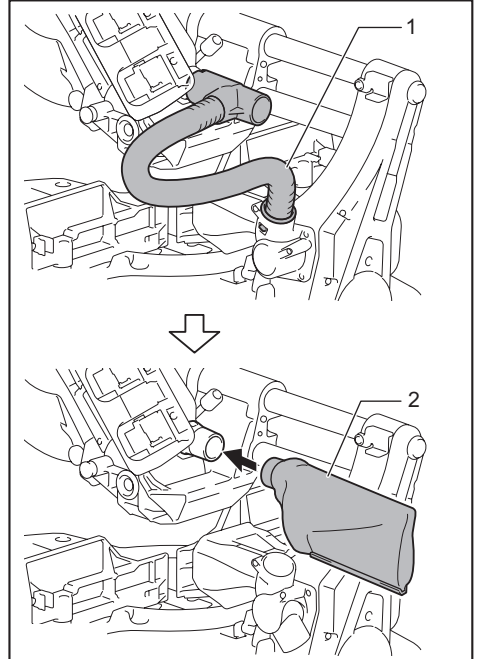
When you wish to perform clean cutting operation, connect a Makita vacuum cleaner to the dust nozzle using a front cuff 24 (optional accessory).



- ▶ 1. Front cuff 2. Hose 3. Vacuum cleaner

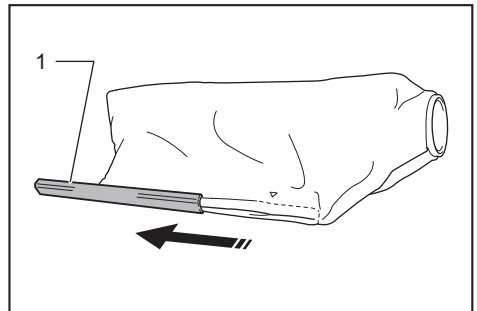
Dust bag

The use of the dust bag makes cutting operations clean and dust collection easy. To attach the dust bag, remove the dust extraction hose on the tool and connect the dust bag.



- ▶ 1. Dust extraction hose 2. Dust bag

When the dust bag is about half full, remove the dust bag from the tool and pull the fastener out. Empty the dust bag of its contents, tapping it lightly so as to remove particles adhering to the insides which might hamper further collection.



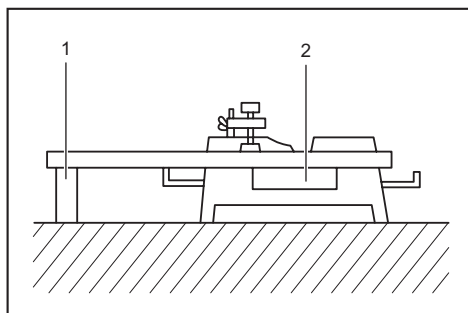
- ▶ 1. Fastener

Securing workpiece

⚠ WARNING: It is extremely important to always secure the workpiece correctly with the proper type of vise or crown molding stoppers. Failure to do so may result in serious personal injury and cause damage to the tool and/or the workpiece.

⚠ WARNING: After a cutting operation do not raise the blade until it has come to a complete stop. The raising of a coasting blade may result in serious personal injury and damage to the workpiece.

⚠ WARNING: When cutting a workpiece that is longer than the support base of the saw, the material should be supported the entire length beyond the support base and at the same height to keep the material level. Proper workpiece support will help avoid blade pinch and possible kickback which may result in serious personal injury. Do not rely solely on the vertical vise and/or horizontal vise to secure the workpiece. Thin material tends to sag. Support workpiece over its entire length to avoid blade pinch and possible KICKBACK.



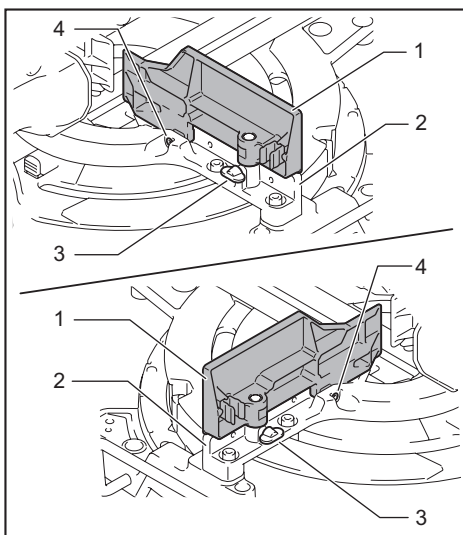
► 1. Support 2. Turn base

Guide fences

⚠ WARNING: Before operating the tool, make sure that the upper fence is secured firmly.

⚠ WARNING: Before bevel-cutting, make sure that no part of the tool, especially the blade, contacts the upper and lower fences when fully lowering and raising the handle in any position and while moving the carriage through its full range of travel. If the tool or blade makes contact with the fence this may result in kickback or unexpected movement of the material and serious personal injury.

Use upper fences to support the material higher than the lower fences. Insert the upper fence into the hole on the lower fence and tighten the clamping screw.

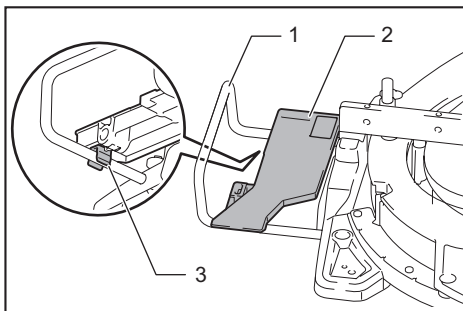


► 1. Upper fence 2. Lower fence 3. Clamping screw 4. Adjusting screw

NOTICE: The lower fences are fixed to the base in the factory. Do not remove the lower fences.

NOTICE: If the upper fence is still loose after tightening the clamping screw, turn the adjusting screw to close a gap. The adjusting screw is factory adjusted. You don't need to use it unless needed.

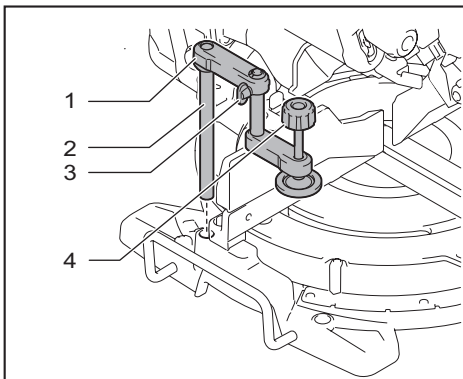
You can store the upper fences onto the holder when not in use. Use the clip on the upper fence to hold it on the holder.



► 1. Holder 2. Upper fence 3. Clip

Vertical vise

⚠ WARNING: The workpiece must be secured firmly against the turn base and guide fence with the vise during all operations. If the workpiece is not properly secured against the fence the material may move during the cutting operation causing possible damage to the blade, causing the material to be thrown and loss of control resulting in serious personal injury.



► 1. Vise arm 2. Vise rod 3. Clamping screw 4. Vise knob

The vertical vise can be installed in two positions on either the left or right side of the base. Insert the vise rod into the hole in the base.

Position the vise arm according to the thickness and shape of the workpiece and secure the vise arm by tightening the screw. If the clamping screw contacts the carriage, install it on the opposite side of vise arm. Make sure that no part of the tool contacts the vise when lowering the handle all the way. If some part contacts the vise, re-position the vise.

Press the workpiece flat against the guide fence and the turn base. Position the workpiece at the desired cutting position and secure it firmly by tightening the vise knob.

NOTE: For a quick setting of workpiece, turning the vise knob to 90° counterclockwise allows the vise knob to be moved up and down. To secure the workpiece after setting, turn the vise knob clockwise.

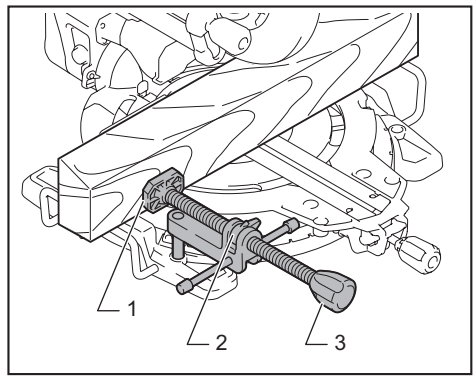
Horizontal vise

Optional accessory

⚠WARNING: Always rotate the vise nut clockwise until the workpiece is properly secured. If the workpiece is not properly secured the material may move during the cutting operation causing possible damage to the blade, causing the material to be thrown and loss of control resulting in serious personal injury.

⚠WARNING: When cutting a thin workpiece, such as base boards, against the fence, always use the horizontal vise.

The horizontal vise can be installed in two positions on either the left or right side of the base. When performing 22.5° or greater miter cuts, install the horizontal vise on the side opposite the direction in which the turn base is to be turned.



► 1. Vise plate 2. Vise nut 3. Vise knob

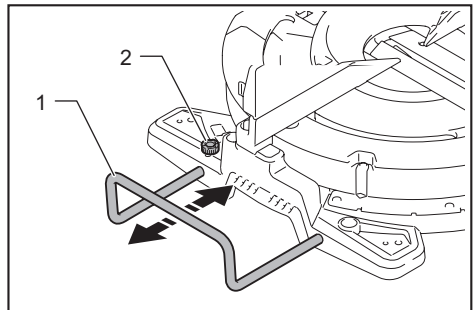
By flipping the vise nut counterclockwise, the vise is released, and rapidly moves in and out. To grip the workpiece, push the vise knob forward until the vise plate contacts the workpiece and flip the vise nut clockwise. Then turn the vise knob clockwise to secure the workpiece.

NOTE: The maximum width of workpiece which can be secured by the horizontal vise is 228 mm (9").

Holders

⚠WARNING: Always support a long workpiece so it is level with the top surface of the turn base for an accurate cut and to prevent dangerous loss of tool control. Proper workpiece support will help avoid blade pinch and possible kickback which may result in serious personal injury.

To hold long workpieces horizontally, holders are provided on both sides of the tool. Loosen the screws and extend the holders to the appropriate length for holding the workpiece. Then tighten the screws.



► 1. Holder 2. Screw

OPERATION

⚠WARNING: Make sure the blade is not contacting the workpiece, etc. before the switch is turned on. Turning the tool on with the blade in contact with the workpiece may result in kickback and serious personal injury.

⚠WARNING: After a cutting operation, do not raise the blade until it has come to a complete stop. The raising of a coasting blade may result in serious personal injury and damage to the workpiece.

⚠WARNING: Do not perform any adjustment such as turning grip, knob, and levers on the tool while the blade is rotating. Adjustment while the blade is rotating may result in serious personal injury.

NOTICE: Before use, be sure to unlock the stopper pin and release the handle from the lowered position.

NOTICE: Do not apply excessive pressure on the handle when cutting. Too much force may result in overload of the motor and/or decreased cutting efficiency. Press down handle with only as much force as necessary for smooth cutting and without significant decrease in blade speed.

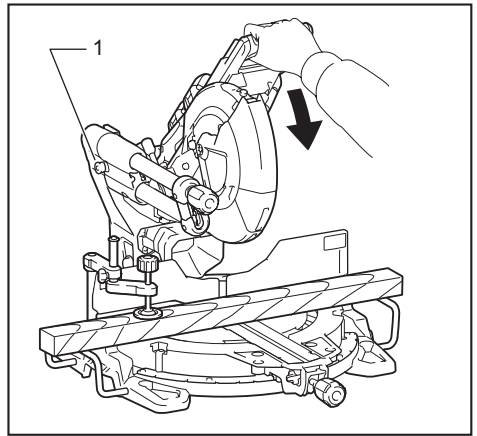
NOTICE: Gently press down the handle to perform the cut. If the handle is pressed down with force or if lateral force is applied, the blade may vibrate and leave a mark (saw mark) in the workpiece and the precision of the cut may be impaired.

NOTICE: During a slide cut, gently push the carriage toward the guide fence without stopping. If the carriage movement is stopped during the cut, a mark will be left in the workpiece and the precision of the cut will be impaired.

Press cutting

⚠WARNING: Always lock the sliding movement of the carriage when performing a press cutting. Cutting without lock may cause possible kickback which may result in serious personal injury.

Workpieces up to 71 mm (2-13/16") high and 155 mm (6-1/8") wide can be cut in the following manner.



► 1. Stopper pin

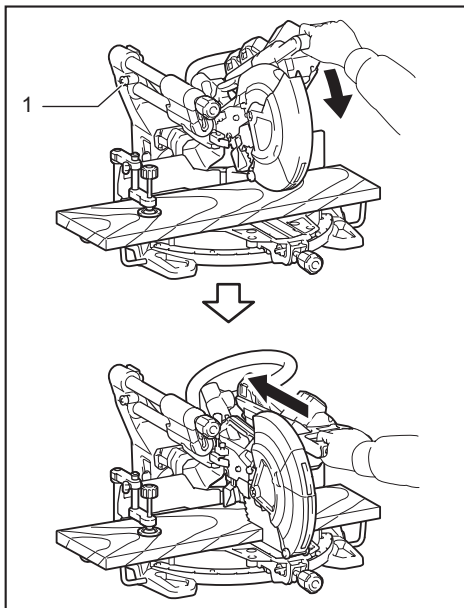
1. Push the carriage toward the guide fence until it stops and lock it with the stopper pin.
2. Secure the workpiece with the proper type of vise.
3. Switch on the tool without the blade making any contact and wait until the blade attains full speed before lowering.
4. Gently lower the handle to the fully lowered position to cut the workpiece.
5. When the cut is completed, switch off the tool and wait until the blade has come to a complete stop before returning the blade to its fully elevated position.

Slide (push) cutting (cutting wide workpieces)

⚠WARNING: Whenever performing a slide cut, first pull the carriage full towards you and press the handle all the way down, then push the carriage toward the guide fence. Never start the cut with the carriage not pulled fully toward you. If you perform the slide cut without the carriage pulled fully toward you unexpected kickback may occur and serious personal injury may result.

⚠WARNING: Never attempt to perform a slide cut by pulling the carriage towards you. Pulling the carriage towards you while cutting may cause unexpected kickback resulting in possible serious personal injury.

⚠WARNING: Never perform the slide cut with the handle locked in the lowered position.



► 1. Stopper pin

1. Unlock the stopper pin so that the carriage can slide freely.
2. Secure the workpiece with the proper type of vise.
3. Pull the carriage toward you fully.
4. Switch on the tool without the blade making any contact and wait until the blade attains full speed.
5. Press the handle down and **push the carriage toward the guide fence and through the workpiece.**
6. When the cut is completed, switch off the tool and **wait until the blade has come to a complete stop** before returning the blade to its fully elevated position.

Miter cutting

Refer to the previously covered "Adjusting the miter angle".

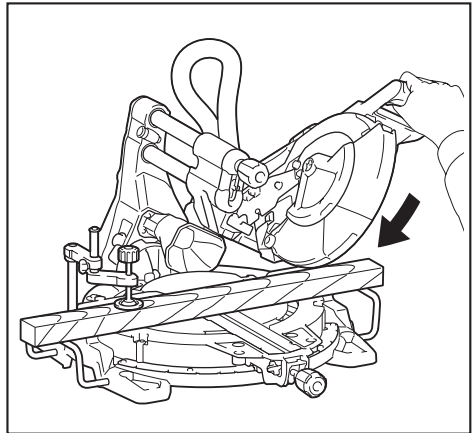
Bevel cut

⚠WARNING: After setting the blade for a bevel cut, ensure that the carriage and blade will have free travel throughout the entire range of the intended cut before operating the tool. Interruption of the carriage or blade travel during the cutting operation may result in kickback and serious personal injury.

⚠WARNING: While making a bevel cut keep hands out of the path of the blade. The angle of the blade may confuse the operator as to the actual blade path while cutting and contact with the blade will result in serious personal injury

⚠WARNING: The blade should not be raised until it has come to a complete stop. During a bevel cut the piece cut off may come to rest against the blade. If the blade is raised while it is rotating the cut-off piece may be ejected by the blade causing the material to fragment which may result in serious personal injury.

NOTICE: When pressing down the handle, apply pressure in parallel with the blade. If a force is applied perpendicularly to the turn base or if the pressure direction is changed during a cut, the precision of the cut will be impaired.



1. Remove the upper fence on the side that you are going to tilt the carriage.
2. Unlock the stopper pin.
3. Adjust the bevel angle according to the procedure explained in the "Adjusting the bevel angle" section. Then tighten the knob.
4. Secure the workpiece with a vise.
5. Pull the carriage toward you fully.
6. Switch on the tool without the blade making any contact and wait until the blade attains full speed.
7. Gently lower the handle to the fully lowered position while applying pressure in parallel with the blade and **push the carriage toward the guide fence to cut the workpiece.**

8. When the cut is completed, switch off the tool and **wait until the blade has come to a complete stop** before returning the blade to its fully elevated position.

Compound cutting

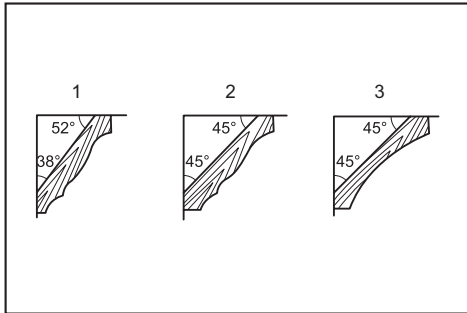
Compound cutting is the process in which a bevel angle is made at the same time in which a miter angle is being cut on a workpiece. Compound cutting can be performed at the angle shown in the table.

Miter angle	Bevel angle
Left and Right 0° - 45°	Left and Right 0° - 45°

When performing compound cutting, refer to "Press cutting", "Slide (push) cutting", "Miter cutting" and "Bevel cut" explanations

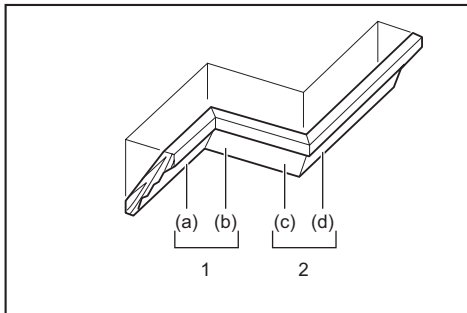
Cutting crown and cove moldings

Crown and cove moldings can be cut on a compound miter saw with the moldings laid flat on the turn base. There are two common types of crown moldings and one type of cove moldings; 52/38° wall angle crown molding, 45° wall angle crown molding and 45° wall angle cove molding.

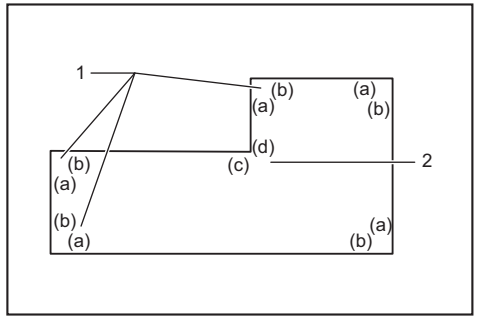


► 1. 52/38° type crown molding 2. 45° type crown molding 3. 45° type cove molding

There are crown and cove molding joints which are made to fit "Inside" 90° corners ((a) and (b) in the figure) and "Outside" 90° corners ((c) and (d) in the figure.)



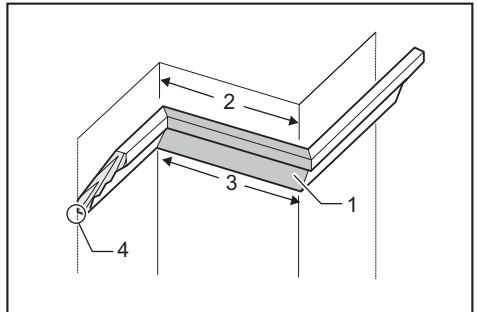
1. Inside corner 2. Outside corner



1. Inside corner 2. Outside corner

Measuring

Measure the wall width, and adjust the width of the workpiece according to it. Always make sure that width of the workpiece's wall contact edge is the same as wall length.

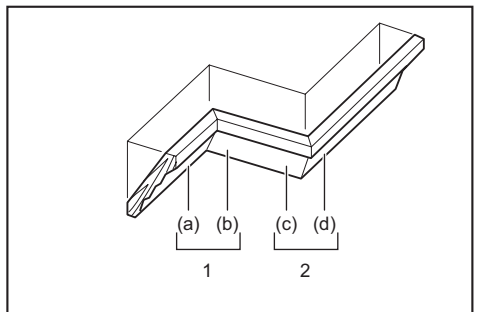


► 1. Workpiece 2. Wall width 3. Width of the workpiece 4. Wall contact edge

Always use several pieces for test cuts to check the saw angles.

When cutting crown and cove moldings, set the bevel angle and miter angle as indicated in the table (A) and position the moldings on the top surface of the saw base as indicated in the table (B).

In the case of left bevel cut



1. Inside corner 2. Outside corner

Table (A)

-	Molding position in the figure	Bevel angle		Miter angle	
		52/38° type	45° type	52/38° type	45° type
For inside corner	(a)	Left 33.9°	Left 30°	Right 31.6°	Right 35.3°
	(b)			Left 31.6°	Left 35.3°
For outside corner	(c)			Right 31.6°	Right 35.3°
	(d)			Right 31.6°	Right 35.3°

Table (B)

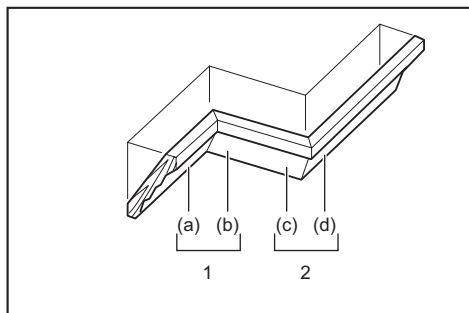
-	Molding position in the figure	Molding edge against guide fence	Finished piece
For inside corner	(a)	Ceiling contact edge should be against guide fence.	Finished piece will be on the Left side of blade.
	(b)	Wall contact edge should be against guide fence.	
For outside corner	(c)	Wall contact edge should be against guide fence.	Finished piece will be on the Right side of blade.
	(d)	Ceiling contact edge should be against guide fence.	

Example:

In the case of cutting 52/38° type crown molding for position (a) in the above figure:

- Tilt and secure bevel angle setting to 33.9° LEFT.
- Adjust and secure miter angle setting to 31.6° RIGHT.
- Lay crown molding with its broad back (hidden) surface down on the turn base with its CEILING CONTACT EDGE against the guide fence on the saw.
- The finished piece to be used will always be on the LEFT side of the blade after the cut has been made.

In the case of right bevel cut



1. Inside corner 2. Outside corner

Table (A)

-	Molding position in the figure	Bevel angle		Miter angle	
		52/38° type	45° type	52/38° type	45° type
For inside corner	(a)	Right 33.9°	Right 30°	Right 31.6°	Right 35.3°
	(b)			Left 31.6°	Left 35.3°
For outside corner	(c)			Right 31.6°	Right 35.3°
	(d)			Right 31.6°	Right 35.3°

Table (B)

-	Molding position in the figure	Molding edge against guide fence	Finished piece
For inside corner	(a)	Wall contact edge should be against guide fence.	Finished piece will be on the Right side of blade.
	(b)	Ceiling contact edge should be against guide fence.	
For outside corner	(c)	Wall contact edge should be against guide fence.	Finished piece will be on the Left side of blade.
	(d)	Wall contact edge should be against guide fence.	

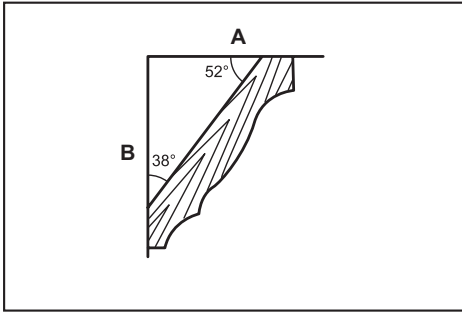
Example:

In the case of cutting 52/38° type crown molding for position (a) in the above figure:

- Tilt and secure bevel angle setting to 33.9° RIGHT.
- Adjust and secure miter angle setting to 31.6° RIGHT.
- Lay crown molding with its broad back (hidden) surface down on the turn base with its WALL CONTACT EDGE against the guide fence on the saw.
- The finished piece to be used will always be on the RIGHT side of the blade after the cut has been made.

Miter and Bevel Angle Settings

Wall to Crown Molding Angle: 52°/38°



1	2	3
60	43.0	46.8
61	42.8	46.3
62	42.5	45.7
63	42.2	45.1
64	41.9	44.6
65	41.7	44.0
66	41.4	43.5
67	41.1	42.9
68	40.8	42.4
69	40.5	41.9
70	40.2	41.3
71	39.9	40.8
72	39.6	40.3
73	39.3	39.8
74	39.0	39.2
75	38.7	38.7
76	38.4	38.2
77	38.1	37.7
78	37.8	37.2
79	37.4	36.8
80	37.1	36.3
81	36.8	35.8
82	36.5	35.3
83	36.2	34.8
84	35.8	34.4
85	35.5	33.9
86	35.2	33.4
87	34.9	33.0
88	34.5	32.5
89	34.2	32.1
90	33.9	31.6
91	33.5	31.2
92	33.2	30.7
93	32.8	30.3
94	32.5	29.9
95	32.2	29.4
96	31.8	29.0
97	31.5	28.6
98	31.1	28.2
99	30.8	27.7
100	30.4	27.3

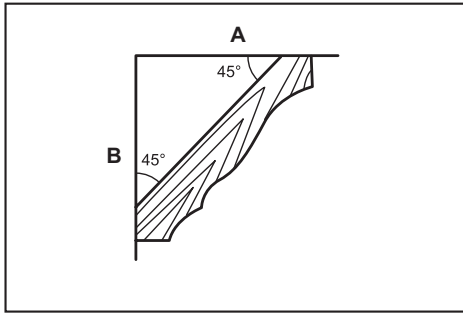
1	2	3
101	30.1	26.9
102	29.7	26.5
103	29.4	26.1
104	29.0	25.7
105	28.7	25.3
106	28.3	24.9
107	28.0	24.5
108	27.6	24.1
109	27.2	23.7
110	26.9	23.3
111	26.5	22.9
112	26.1	22.6
113	25.8	22.2
114	25.4	21.8
115	25.0	21.4
116	24.7	21.0
117	24.3	20.7
118	23.9	20.3
119	23.6	19.9
120	23.2	19.6
121	22.8	19.2
122	22.5	18.8
123	22.1	18.5
124	21.7	18.1
125	21.3	17.8
126	21.0	17.4
127	20.6	17.1
128	20.2	16.7
129	19.8	16.4
130	19.5	16.0
131	19.1	15.7
132	18.7	15.3
133	18.3	15.0
134	17.9	14.6
135	17.6	14.3
136	17.2	14.0
137	16.8	13.6
138	16.4	13.3
139	16.0	13.0
140	15.6	12.8

1	2	3
141	15.3	12.3
142	14.9	12.0
143	14.5	11.6
144	14.1	11.3
145	13.7	11.0
146	13.3	10.7
147	12.9	10.3
148	12.5	10.0
149	12.2	9.7
150	11.8	9.4
151	11.4	9.0
152	11.0	8.7
153	10.8	8.4
154	10.2	8.1
155	9.8	7.8
156	9.4	7.5
157	9.0	7.1
158	8.6	6.8
159	8.3	6.5
160	7.9	6.2
161	7.5	5.9
162	7.1	5.6
163	6.7	5.3
164	6.3	4.9
165	5.9	4.6
166	5.5	4.3
167	5.1	4.0
168	4.7	3.7
169	4.3	3.4
170	3.9	3.1
171	3.5	2.8
172	3.2	2.5
173	2.8	2.2
174	2.4	1.8
175	2.0	1.5
176	1.6	1.2
177	1.2	0.9
178	0.8	0.6
179	0.4	0.3
180	0.0	0.0

A Ceiling side B Wall side

1. Wall Angle (deg.) 2. Bevel Angle (deg.) 3. Miter Angle (deg.)

Wall to Crown Molding Angle: 45°



	1	2	3
60	37.8	50.8	
61	37.5	50.2	
62	37.3	49.6	
63	37.1	49.1	
64	36.8	48.5	
65	36.6	48.0	
66	36.4	47.4	
67	36.1	46.9	
68	35.9	46.4	
69	35.6	45.8	
70	35.4	45.3	
71	35.1	44.8	
72	34.9	44.2	
73	34.6	43.7	
74	34.4	43.2	
75	34.1	42.7	
76	33.9	42.1	
77	33.6	41.6	
78	33.3	41.1	
79	33.1	40.6	
80	32.8	40.1	
81	32.5	39.6	
82	32.3	39.1	
83	32.0	38.6	
84	31.7	38.1	
85	31.4	37.7	
86	31.1	37.2	
87	30.9	36.7	
88	30.6	36.2	
89	30.3	35.7	
90	30.0	35.3	
91	29.7	34.8	
92	29.4	34.3	
93	29.1	33.9	
94	28.8	33.4	
95	28.5	32.9	
96	28.2	32.5	
97	27.9	32.0	
98	27.6	31.6	
99	27.3	31.1	
100	27.0	30.7	

	1	2	3
101	26.7	30.2	
102	26.4	29.8	
103	26.1	29.4	
104	25.8	28.9	
105	25.5	28.5	
106	25.2	28.1	
107	24.9	27.6	
108	24.6	27.2	
109	24.2	26.8	
110	23.9	26.3	
111	23.6	25.9	
112	23.3	25.5	
113	23.0	25.1	
114	22.7	24.7	
115	22.3	24.3	
116	22.0	23.8	
117	21.7	23.4	
118	21.4	23.0	
119	21.0	22.6	
120	20.7	22.2	
121	20.4	21.8	
122	20.0	21.4	
123	19.7	21.0	
124	19.4	20.6	
125	19.1	20.2	
126	18.7	19.8	
127	18.4	19.4	
128	18.1	19.0	
129	17.7	18.6	
130	17.4	18.2	
131	17.1	17.9	
132	16.7	17.5	
133	16.4	17.1	
134	16.0	16.7	
135	15.7	16.3	
136	15.4	15.9	
137	15.0	15.6	
138	14.7	15.2	
139	14.3	14.8	
140	14.0	14.4	

	1	2	3
141	13.7	14.1	
142	13.3	13.7	
143	13.0	13.3	
144	12.6	12.9	
145	12.3	12.6	
146	11.9	12.2	
147	11.6	11.8	
148	11.2	11.5	
149	10.9	11.1	
150	10.5	10.7	
151	10.2	10.4	
152	9.8	10.0	
153	9.5	9.6	
154	9.2	9.3	
155	8.8	8.9	
156	8.5	8.5	
157	8.1	8.2	
158	7.8	7.8	
159	7.4	7.5	
160	7.1	7.1	
161	6.7	6.7	
162	6.4	6.4	
163	6.0	6.0	
164	5.6	5.7	
165	5.3	5.3	
166	4.9	5.0	
167	4.6	4.6	
168	4.2	4.3	
169	3.9	3.9	
170	3.5	3.5	
171	3.2	3.2	
172	2.8	2.8	
173	2.5	2.5	
174	2.1	2.1	
175	1.8	1.8	
176	1.4	1.4	
177	1.1	1.1	
178	0.7	0.7	
179	0.4	0.4	
180	0.0	0.0	

A Ceiling side B Wall side

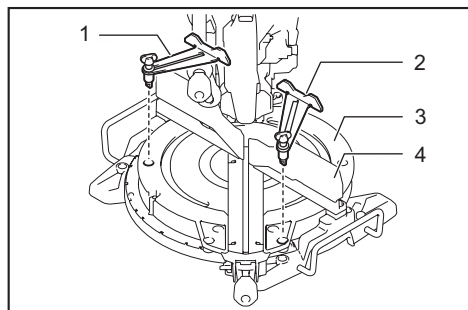
1. Wall Angle (deg.) 2. Bevel Angle (deg.) 3. Miter Angle (deg.)

Crown molding stopper

Optional accessory

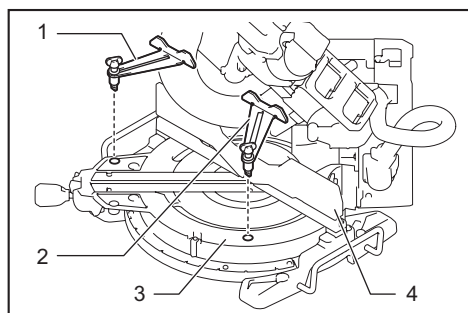
Crown molding stoppers allow easier cuts of crown molding without tilting the saw blade. Install them on the turn base as shown in the figures.

At right 45° miter angle



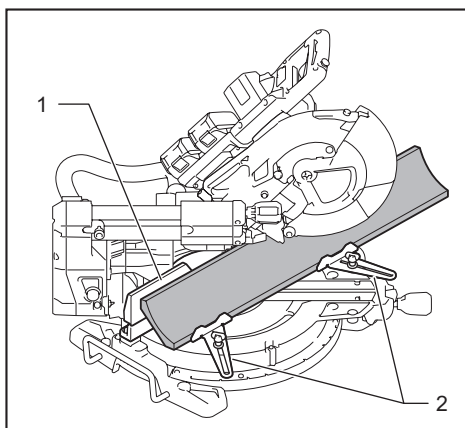
- 1. Crown molding stopper L 2. Crown molding stopper R 3. Turn base 4. Guide fence

At left 45° miter angle

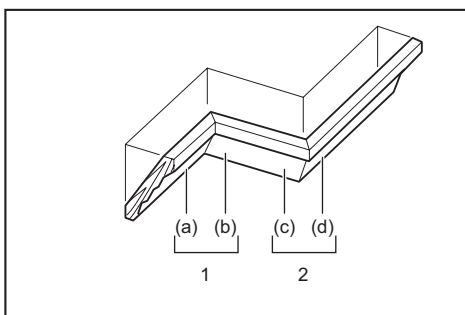


- 1. Crown molding stopper L 2. Crown molding stopper R 3. Turn base 4. Guide fence

Position crown molding with its WALL CONTACT EDGE against the guide fence and its CEILING CONTACT EDGE against the crown molding stoppers as shown in the figure. Adjust the crown molding stoppers according to the size of the crown molding. Tighten the screws to secure the crown molding stoppers. Refer to the table (C) for the miter angle.



- 1. Guide fence 2. Crown molding stopper

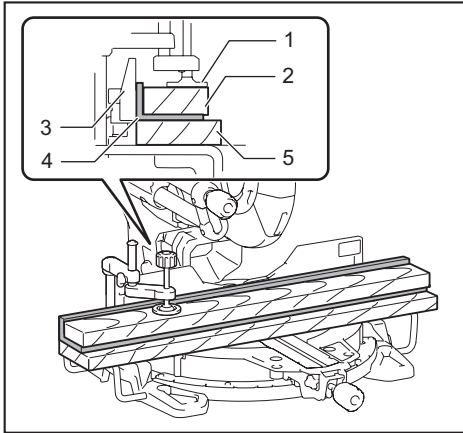


1. Inside corner 2. Outside corner

Table (C)

-	Molding position in the figure	Miter angle	Finished piece
For inside corner	(a)	Right 45°	Save the right side of blade
	(b)	Left 45°	Save the left side of blade
For outside corner	(c)		Save the right side of blade
	(d)	Right 45°	Save the left side of blade

Cutting aluminum extrusion



- 1. Vise 2. Spacer block 3. Guide fence 4. Aluminum extrusion 5. Spacer block

When securing aluminum extrusions, use spacer blocks or pieces of scrap as shown in the figure to prevent deformation of the aluminum. Use a cutting lubricant when cutting the aluminum extrusion to prevent build-up of the aluminum material on the blade.

⚠ WARNING: Never attempt to cut thick or round aluminum extrusions. Thick or round aluminum extrusions can be difficult to secure and the work may loosen during the cutting operation which may result in loss of control and serious personal injury.

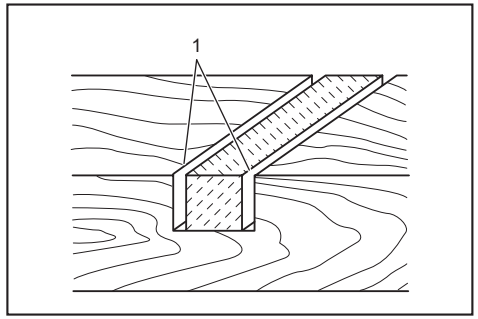
Groove cutting

⚠ WARNING: Do not attempt to perform this type of cut by using a wider type blade or dado blade. Attempting to make a groove cut with a wider blade or dado blade could lead to unexpected cutting results and kickback which may result in serious personal injury.

⚠ WARNING: Be sure to return the stopper arm to the original position when performing other than groove cutting. Attempting to make cuts with the stopper arm in the incorrect position could lead to unexpected cutting results and kickback which may result in serious personal injury.

For a dado type cut, perform as follows:

1. Adjust the lower limit position of the blade using the adjusting screw and the stopper arm to limit the cutting depth of the blade. Refer to "Stopper arm" section described on previously.
2. After adjusting the lower limit position of the blade, cut parallel grooves across the width of the workpiece using a slide (push) cut.



- 1. Cut grooves with blade

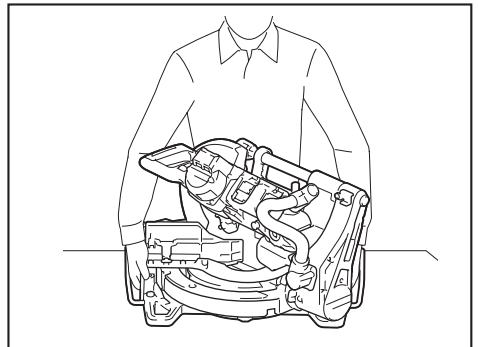
3. Remove the workpiece material between the grooves with a chisel.

Carrying tool

Before carrying, make sure to remove the batteries and all movable parts of the miter saw are secured. Always check the following:

- The batteries are removed.
- The carriage is at 0° bevel angle position and secured.
- The carriage is lowered and locked.
- The carriage is fully slid to the guide fence and locked.
- The turn base is at the full right angle position and secured.
- The holders are stored and secured.

Carry the tool by holding both sides of the tool base as shown in the figure.



⚠ WARNING: Stopper pin for carriage elevation is for carrying and storage purposes only and not for any cutting operations. The use of the stopper pin for cutting operations may cause unexpected movement of the saw blade resulting in kickback and serious personal injury.

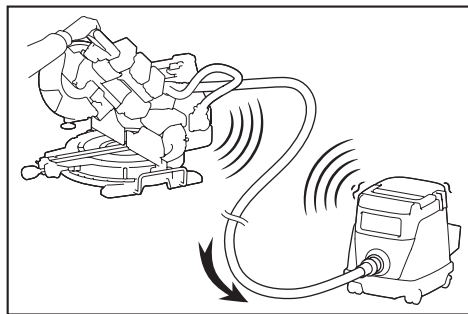
⚠ CAUTION: Always secure all moving portions before carrying the tool. If portions of the tool move or slide while being carried, loss of control or balance may occur and result in personal injury.

WIRELESS ACTIVATION FUNCTION

For XSL04 only

What you can do with the wireless activation function

The wireless activation function enables clean and comfortable operation. By connecting a supported vacuum cleaner to the tool, you can run the vacuum cleaner automatically along with the switch operation of the tool.



To use the wireless activation function, prepare following items:

- A wireless unit
- A vacuum cleaner which supports the wireless activation function

The overview of the wireless activation function setting is as follows. Refer to each section for detail procedures.

1. Installing the wireless unit
2. Tool registration for the vacuum cleaner
3. Starting the wireless activation function

Installing the wireless unit

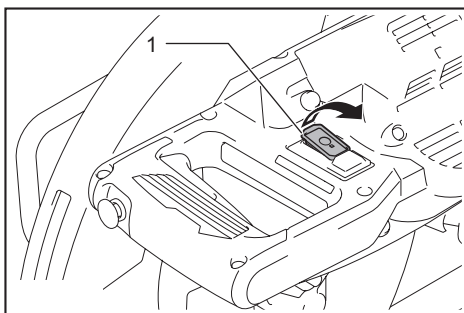
CAUTION: Place the tool on a flat and stable surface when installing the wireless unit.

NOTICE: Clean the dust and dirt on the tool before installing the wireless unit. Dust or dirt may cause malfunction if it comes into the slot of the wireless unit.

NOTICE: To prevent the malfunction caused by static, touch a static discharging material, such as a metal part of the tool, before picking up the wireless unit.

NOTICE: When installing the wireless unit, always be sure that the wireless unit is inserted in the correct direction and the lid is completely closed.

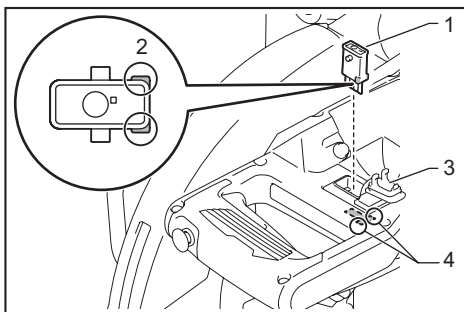
1. Open the lid on the tool as shown in the figure.



- ▶ 1. Lid

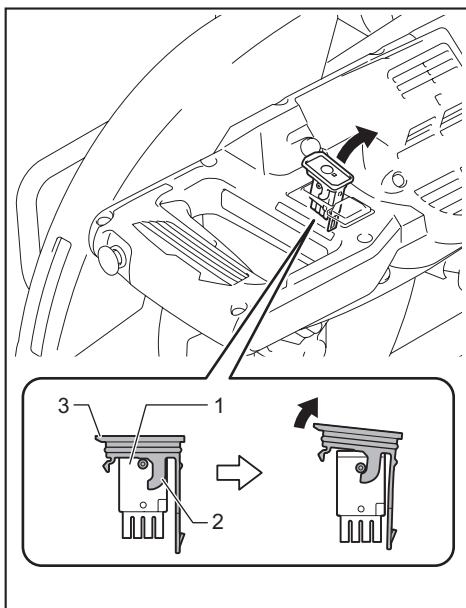
2. Insert the wireless unit to the slot and then close the lid.

When inserting the wireless unit, align the projections with the recessed portions on the slot.



- ▶ 1. Wireless unit 2. Projection 3. Lid 4. Recessed portion

When removing the wireless unit, open the lid slowly. The hooks on the back of the lid will lift the wireless unit as you pull up the lid.



► 1. Wireless unit 2. Hook 3. Lid

After removing the wireless unit, keep it in the supplied case or a static-free container.

NOTICE: Always use the hooks on the back of the lid when removing the wireless unit. If the hooks do not catch the wireless unit, close the lid completely and open it slowly again.

Tool registration for the vacuum cleaner

NOTE: A Makita vacuum cleaner supporting the wireless activation function is required for the tool registration.

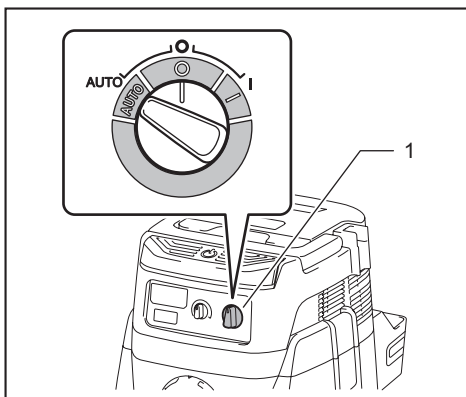
NOTE: Finish installing the wireless unit to the tool before starting the tool registration.

NOTE: During the tool registration, do not pull the switch trigger or turn on the power switch on the vacuum cleaner.

NOTE: Refer to the instruction manual of the vacuum cleaner, too.

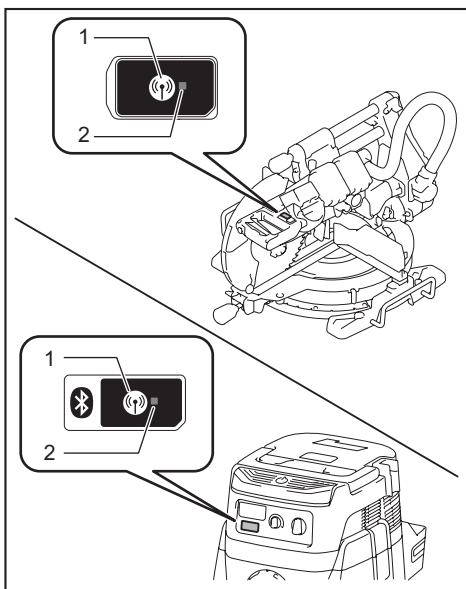
If you wish to activate the vacuum cleaner along with the switch operation of the tool, finish the tool registration beforehand.

1. Install the batteries to the vacuum cleaner and the tool.
2. Set the stand-by switch on the vacuum cleaner to "AUTO".



► 1. Stand-by switch

3. Press the wireless activation button on the vacuum cleaner for 3 seconds until the wireless activation lamp blinks in green. And then press the wireless activation button on the tool in the same way.



► 1. Wireless activation button 2. Wireless activation lamp

If the vacuum cleaner and the tool are linked successfully, the wireless activation lamps will light up in green for 2 seconds and start blinking in blue.

NOTE: The wireless activation lamps finish blinking in green after 20 seconds elapsed. Finish pressing the wireless activation button on the tool while the wireless activation lamp on the vacuum cleaner is blinking. If the wireless activation lamp does not blink in green, push the wireless activation button briefly and hold it down again.

NOTE: When performing two or more tool registrations for one vacuum cleaner, finish the tool registration one by one.

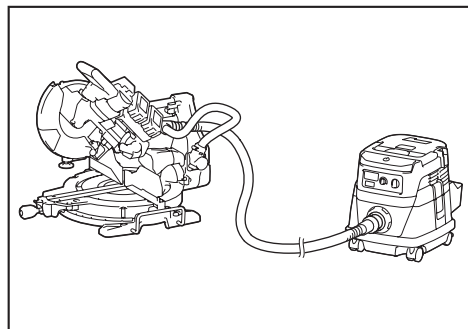
Starting the wireless activation function

NOTE: Finish the tool registration for the vacuum cleaner prior to the wireless activation.

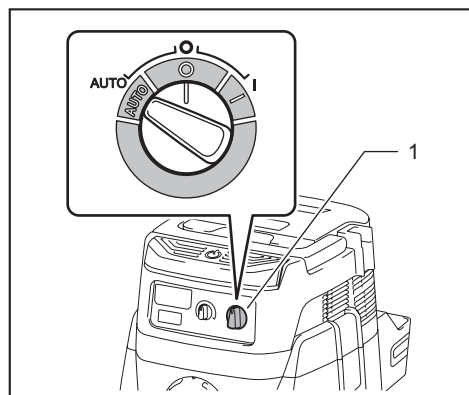
NOTE: Refer to the instruction manual of the vacuum cleaner, too.

After registering a tool to the vacuum cleaner, the vacuum cleaner will automatically runs along with the switch operation of the tool.

1. Install the wireless unit to the tool.
2. Connect the hose of the vacuum cleaner with the tool.

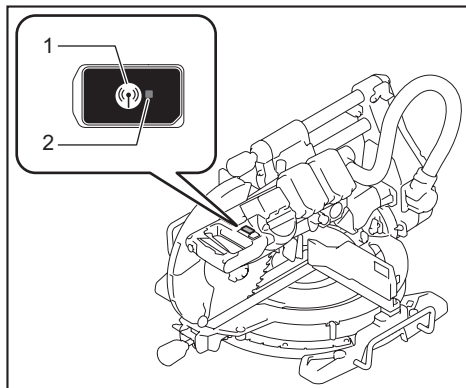


3. Set the stand-by switch on the vacuum cleaner to "AUTO".



- 1. Stand-by switch

4. Push the wireless activation button on the tool briefly. The wireless activation lamp will blink in blue.



- 1. Wireless activation button 2. Wireless activation lamp

5. Pull the switch trigger of the tool. Check if the vacuum cleaner runs while the switch trigger is being pulled.

To stop the wireless activation of the vacuum cleaner, push the wireless activation button on the tool.

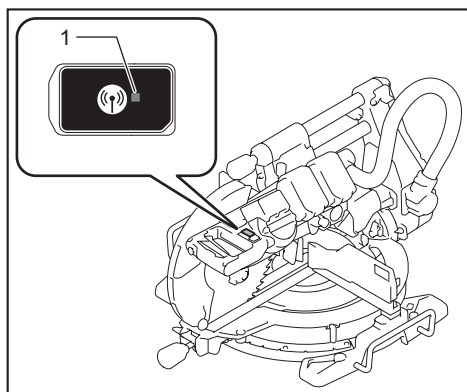
NOTE: The wireless activation lamp on the tool will stop blinking in blue when there is no operation for 2 hours. In this case, set the stand-by switch on the vacuum cleaner to "AUTO" and push the wireless activation button on the tool again.

NOTE: The vacuum cleaner starts/stops with a delay. There is a time lag when the vacuum cleaner detects a switch operation of the tool.

NOTE: The transmission distance of the wireless unit may vary depending on the location and surrounding circumstances.

NOTE: When two or more tools are registered to one vacuum cleaner, the vacuum cleaner may start running even if you don't pull the switch trigger because another user is using the wireless activation function.

Description of the wireless activation lamp status



► 1. Wireless activation lamp

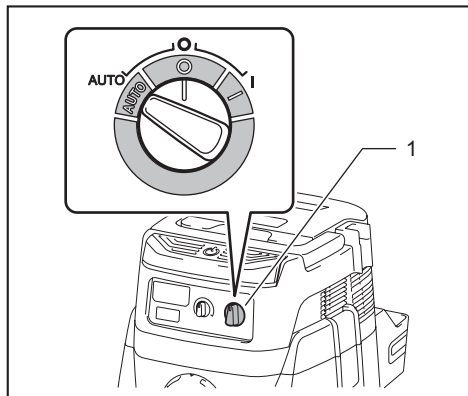
The wireless activation lamp shows the status of the wireless activation function. Refer to the table below for the meaning of the lamp status.

Status	Wireless activation lamp				Description
	Color	■ On	▣ Blinking	Duration	
Standby	Blue		▣	2 hours	The wireless activation of the vacuum cleaner is available. The lamp will automatically turn off when no operation is performed for 2 hours.
			■	When the tool is running.	The wireless activation of the vacuum cleaner is available and the tool is running.
Tool registration	Green		▣	20 seconds	Ready for the tool registration. Waiting for the registration by the vacuum cleaner.
			■	2 seconds	The tool registration has been finished. The wireless activation lamp will start blinking in blue.
Cancelling tool registration	Red		▣	20 seconds	Ready for the cancellation of the tool registration. Waiting for the cancellation by the vacuum cleaner.
			■	2 seconds	The cancellation of the tool registration has been finished. The wireless activation lamp will start blinking in blue.
Others	Red		■	3 seconds	The power is supplied to the wireless unit and the wireless activation function is starting up.
	Off		-	-	The wireless activation of the vacuum cleaner is stopped.

Cancelling tool registration for the vacuum cleaner

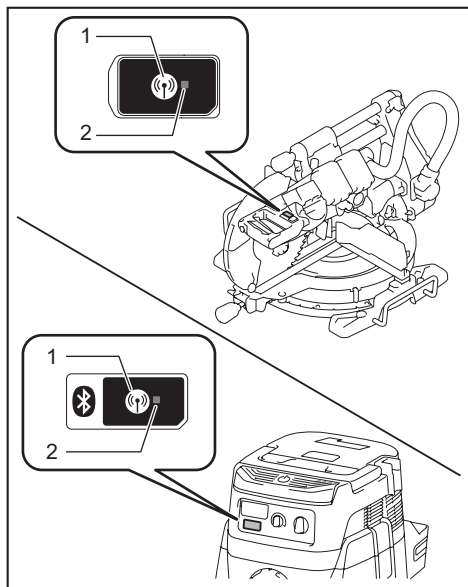
Perform the following procedure when cancelling the tool registration for the vacuum cleaner.

1. Install the batteries to the vacuum cleaner and the tool.
2. Set the stand-by switch on the vacuum cleaner to "AUTO".



- 1. Stand-by switch

3. Press the wireless activation button on the vacuum cleaner for 6 seconds. The wireless activation lamp blinks in green and then become red. After that, press the wireless activation button on the tool in the same way.



- 1. Wireless activation button 2. Wireless activation lamp

If the cancellation is performed successfully, the wireless activation lamps will light up in red for 2 seconds and start blinking in blue.

NOTE: The wireless activation lamps finish blinking in red after 20 seconds elapsed. Finish pressing the wireless activation button on the tool while the wireless activation lamp on the vacuum cleaner is blinking. If the wireless activation lamp does not blink in red, push the wireless activation button briefly and hold it down again.

Troubleshooting for wireless activation function

Before asking for repairs, conduct your own inspection first. If you find a problem that is not explained in the manual, do not attempt to dismantle the tool. Instead, ask Makita Authorized Service Centers, always using Makita replacement parts for repairs.

State of abnormality	Probable cause (malfunction)	Remedy
The wireless activation lamp does not light/blink.	The wireless unit is not installed into the tool. The wireless unit is improperly installed into the tool.	Install the wireless unit correctly.
	The terminal of the wireless unit and/or the slot is dirty.	Gently wipe off dust and dirt on the terminal of the wireless unit and clean the slot.
	The wireless activation button on the tool has not been pushed.	Push the wireless activation button on the tool briefly.
	The stand-by switch on the vacuum cleaner is not set to "AUTO".	Set the stand-by switch on the vacuum cleaner to "AUTO".
	No power supply	Supply the power to the tool and the vacuum cleaner.
Cannot finish tool registration / cancelling tool registration successfully.	The wireless unit is not installed into the tool. The wireless unit is improperly installed into the tool.	Install the wireless unit correctly.
	The terminal of the wireless unit and/or the slot is dirty.	Gently wipe off dust and dirt on the terminal of the wireless unit and clean the slot.
	The stand-by switch on the vacuum cleaner is not set to "AUTO".	Set the stand-by switch on the vacuum cleaner to "AUTO".
	No power supply	Supply the power to the tool and the vacuum cleaner.
	Incorrect operation	Push the wireless activation button briefly and perform the tool registration/cancellation procedures again.
	The tool and vacuum cleaner is away from each other (out of the transmission range).	Get the tool and vacuum cleaner closer to each other. The maximum transmission distance is approximately 10 m however it may vary according to the circumstances.
	Before finishing the tool registration/cancellation; - the switch trigger on the tool is pulled or; - the power button on the vacuum cleaner is turned on.	Push the wireless activation button briefly and perform the tool registration/cancellation procedures again.
	The tool registration procedures for the tool or vacuum cleaner has not finished.	Perform the tool registration procedures for both the tool and the vacuum cleaner at the same timing.
Radio disturbance by other appliances which generate high-intensity radio waves.	Keep the tool and vacuum cleaner away from the appliances such as Wi-Fi devices and microwave ovens.	

State of abnormality	Probable cause (malfunction)	Remedy
The vacuum cleaner does not run along with the switch operation of the tool.	The wireless unit is not installed into the tool. The wireless unit is improperly installed into the tool.	Install the wireless unit correctly.
	The terminal of the wireless unit and/or the slot is dirty.	Gently wipe off dust and dirt on the terminal of the wireless unit and clean the slot.
	The wireless activation button on the tool has not been pushed.	Push the wireless activation button briefly and make sure that the wireless activation lamp is blinking in blue.
	The stand-by switch on the vacuum cleaner is not set to "AUTO".	Set the stand-by switch on the vacuum cleaner to "AUTO".
	More than 10 tools are registered to the vacuum cleaner.	Perform the tool registration again. If more than 10 tools are registered to the vacuum cleaner, the tool registered earliest will be cancelled automatically.
	The vacuum cleaner erased all tool registrations.	Perform the tool registration again.
	No power supply	Supply the power to the tool and the vacuum cleaner.
	The tool and vacuum cleaner is away from each other (out of the transmission range).	Get the tool and vacuum cleaner closer each other. The maximum transmission distance is approximately 10 m however it may vary according to the circumstances.
	Radio disturbance by other appliances which generate high-intensity radio waves.	Keep the tool and vacuum cleaner away from the appliances such as Wi-Fi devices and microwave ovens.
The vacuum cleaner runs while the tool's switch trigger is not pulled.	Other users are using the wireless activation of the vacuum cleaner with their tools.	Turn off the wireless activation button of the other tools or cancel the tool registration of the other tools.

MAINTENANCE

⚠ WARNING: Always be sure that the tool is switched off and batteries are removed before attempting to perform inspection or maintenance.

Failure to removing the batteries and switch off the tool may result in accidental start up of the tool which may result in serious personal injury.

⚠ WARNING: Always be sure that the blade is sharp and clean for the best and safest performance. Attempting a cut with a dull and /or dirty blade may cause kickback and result in a serious personal injury.

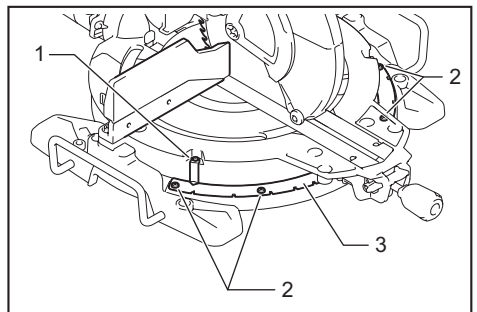
NOTICE: Never use gasoline, benzine, thinner, alcohol or the like. Discoloration, deformation or cracks may result.

Adjusting the cutting angle

This tool is carefully adjusted and aligned at the factory, but rough handling may have affected the alignment. If your tool is not aligned properly, perform the following:

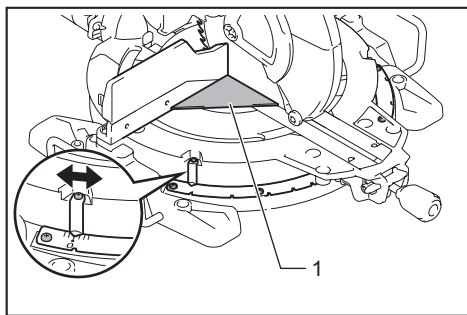
Miter angle

Lower the handle fully and lock it in the lowered position by the stopper pin. Push the carriage toward the guide fence. Loosen the grip and the screws which secure the pointer and miter angle scale.



- 1. Screw on pointer 2. Screws on miter angle scale
3. Miter scale

Set the turn base to the 0° position using the positive stop function. Square the side of the blade with the face of the guide fence using a triangular rule or try-square. While keeping the square, tighten the screws on the miter angle scale. After that, align the pointers (both right and left) with the 0° position in the miter angle scale and then tighten the screw on the pointer.

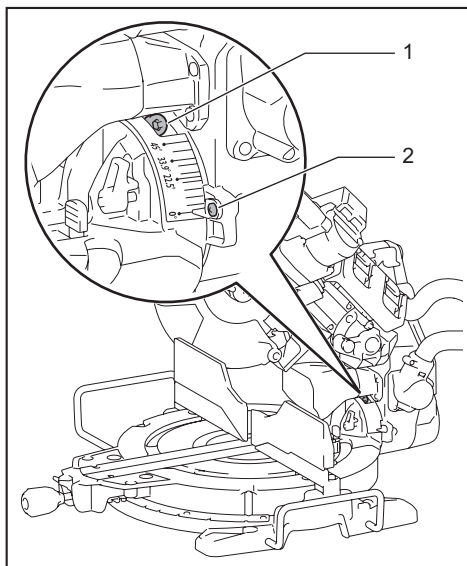


► 1. Triangular rule

Bevel angle

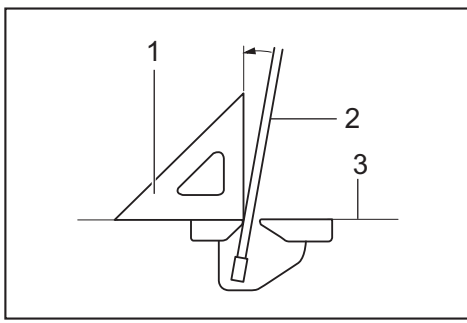
0° bevel angle

Push the carriage toward the guide fence and lock the sliding movement by the stopper pin. Lower the handle fully and lock it in the lowered position by the stopper pin and then loosen the knob. Turn the 0° adjusting bolt two or three revolutions counterclockwise to tilt the blade to the right.



► 1. 0° Adjusting bolt 2. Screw

Carefully square the side of the blade with the top surface of the turn base using the triangular rule, try-square, etc. by turning the 0° adjusting bolt clockwise. Then tighten the knob firmly to secure the 0° angle you have set.



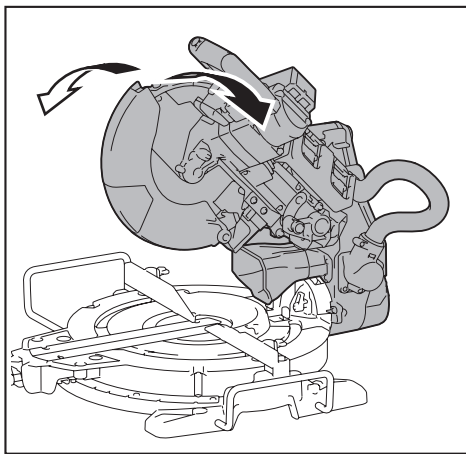
► 1. Triangular rule 2. Saw blade 3. Top surface of turn base

Check if the side of the blade squares with the turn base surface once again. Loosen the screw on the pointer. Align the pointer with 0° position in the bevel angle scale and then tighten the screw.

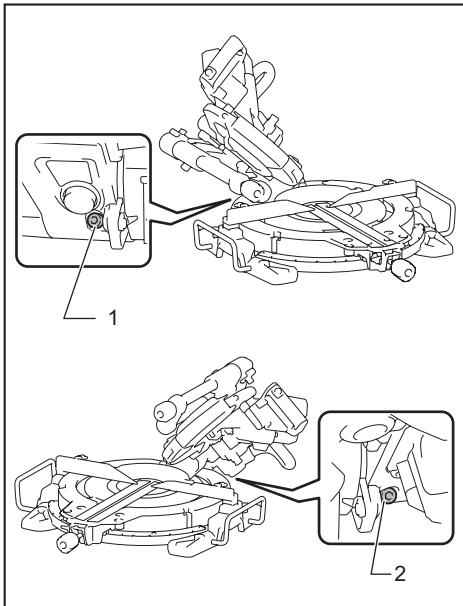
45° bevel angle

NOTICE: Before adjusting the 45° bevel angle, finish 0° bevel angle adjustment.

Loosen the knob and fully tilt the carriage to the side that you want to check. Check if the pointer indicates the 45° position in the bevel angle scale.



If the pointer does not indicate the 45° position, align it with 45° position by turning the adjusting bolt on the opposite side of the bevel angle scale.



► 1. Left 45° adjusting bolt 2. Right 45° adjusting bolt

Adjusting the laser line position

For XSL04, XSL06 only

⚠ WARNING: The batteries must be installed while adjusting the laser line. Take extra care not to switch on the tool during adjustment. Accidental start up of the tool may result in serious personal injury.

⚠ CAUTION: Never look directly into the laser beam. Direct eye exposure to the beam could cause serious damage to your eyes.

NOTICE: Check the position of laser line regularly for accuracy.

NOTICE: Beware that impacts to the tool. It may cause the laser line to be misaligned or may cause damage to the laser, shortening its life.

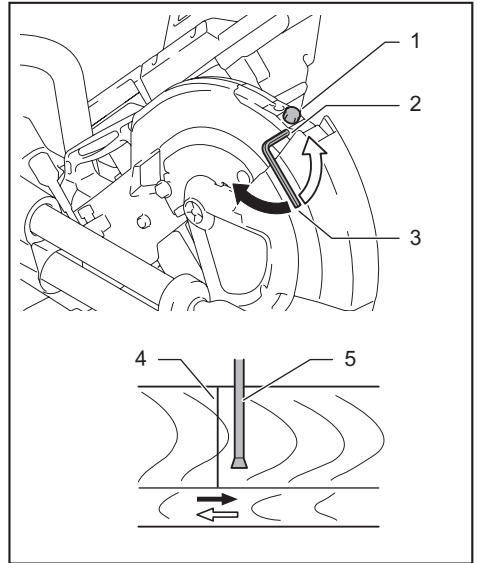
NOTICE: Have the tool repaired by a Makita authorized service center for any failure on the laser unit.

The movable range of laser line is decided by the range adjustment screws on both sides. Perform following procedures to alter the laser line position.

1. Remove the batteries.
2. Draw a cutting line on the workpiece and place it on the turn base. At this time, do not secure the workpiece with a vise or similar securing device.
3. Lower the handle and align the cutting line with the saw blade.
4. Return the handle to the original position and secure the workpiece with the vertical vise so that the workpiece does not move from the position you have determined.

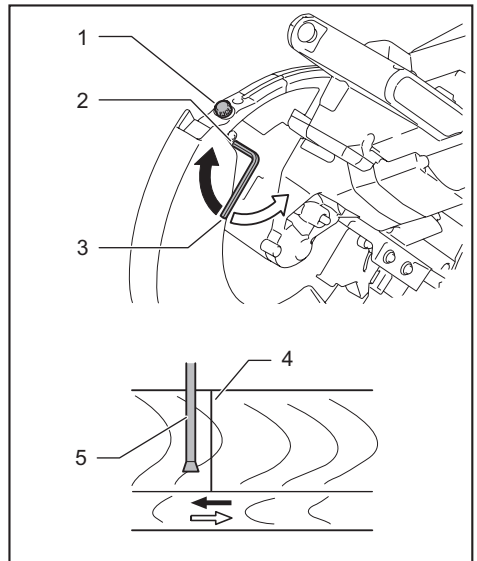
5. Install the batteries and turn on the laser switch.
6. Loosen the adjusting screw. To move the laser line away from the blade, turn the range adjustment screws counterclockwise. To move the laser line close to the blade, turn the range adjustment screw clockwise.

Adjusting the laser line on the left side of the blade



► 1. Adjusting screw 2. Range adjustment screw 3. Hex wrench 4. Laser line 5. Saw blade

Adjusting the laser line on the right side of the blade



► 1. Adjusting screw 2. Range adjustment screw 3. Hex wrench 4. Laser line 5. Saw blade

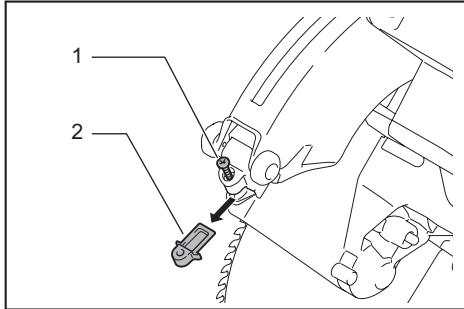
7. Slide the adjusting screw to the position that the laser line comes onto the cutting line and then tighten.

NOTE: The movable range of laser line is factory adjusted within 1 mm (0.04") from the side surface of blade.

Cleaning the laser light lens

For XSL04, XSL06 only

The laser light becomes hard to see as the lens for the laser light gets dirty. Clean the lens for laser light periodically.



► 1. Screw 2. Lens

Remove the batteries. Loosen the screw and pull out the lens. Clean the lens gently with a damp soft cloth.

NOTICE: Do not remove the screw which secures the lens. If the lens does not come out, loosen the screw further.

NOTICE: Do not use solvents or any petroleum-based cleaners on the lens.

After use

After use, wipe off chips and dust adhering to the tool with a cloth or the like. Keep the blade guard clean according to the directions in the previously covered section titled "Blade guard". Lubricate the sliding portions with machine oil to prevent rust.

To maintain product SAFETY and RELIABILITY, repairs, any other maintenance or adjustment should be performed by Makita Authorized or Factory Service Centers, always using Makita replacement parts.

OPTIONAL ACCESSORIES

⚠WARNING: These Makita accessories or attachments are recommended for use with your Makita tool specified in this manual. The use of any other accessories or attachments may result in serious personal injury.

⚠WARNING: Only use the Makita accessory or attachment for its stated purpose. Misuse of an accessory or attachment may result in serious personal injury.

If you need any assistance for more details regarding these accessories, ask your local Makita Service Center.

- Steel & Carbide-tipped saw blades
- Vertical vise
- Horizontal vise
- Crown molding stopper set
- Dust bag
- Triangular rule
- Hex wrench
- Hex wrench (for laser adjustment)
- Wireless unit (for XSL04)
- Makita genuine battery and charger

NOTE: Some items in the list may be included in the tool package as standard accessories. They may differ from country to country.

MAKITA LIMITED ONE YEAR WARRANTY

Warranty Policy

Every Makita tool is thoroughly inspected and tested before leaving the factory. It is warranted to be free of defects from workmanship and materials for the period of ONE YEAR from the date of original purchase.

Should any trouble develop during this one year period, return the COMPLETE tool, freight prepaid, to one of Makita's Factory or Authorized Service Centers. If inspection shows the trouble is caused by defective workmanship or material, Makita will repair (or at our option, replace) without charge.

This Warranty does not apply where:

- repairs have been made or attempted by others:
- repairs are required because of normal wear and tear:
- the tool has been abused, misused or improperly maintained:
- alterations have been made to the tool.

IN NO EVENT SHALL MAKITA BE LIABLE FOR ANY INDIRECT, INCIDENTAL OR CONSEQUENTIAL DAMAGES FROM THE SALE OR USE OF THE PRODUCT. THIS DISCLAIMER APPLIES BOTH DURING AND AFTER THE TERM OF THIS WARRANTY.

MAKITA DISCLAIMS LIABILITY FOR ANY IMPLIED WARRANTIES, INCLUDING IMPLIED WARRANTIES OF "MERCHANTABILITY" AND "FITNESS FOR A SPECIFIC PURPOSE," AFTER THE ONE YEAR TERM OF THIS WARRANTY.

This Warranty gives you specific legal rights, and you may also have other rights which vary from state to state. Some states do not allow the exclusion or limitation of incidental or consequential damages, so the above limitation or exclusion may not apply to you. Some states do not allow limitation on how long an implied warranty lasts, so the above limitation may not apply to you.

ESPECIFICACIONES

Modelo:	XSL03	XSL04	XSL06
Diámetro del disco	255 mm (10")		
Diámetro del orificio	15,88 mm (5/8")		
Ancho de corte máx. del disco de la sierra	3,2 mm (1/8")		
Ángulo de inglete máximo	Derecho 60°, Izquierdo 60°		
Ángulo de bisel máximo	Derecho 48°, Izquierdo 48°		
Velocidad sin carga (r.p.m.)	4 400 r/min		
Tipo de láser	-	Longitud de onda 655 nm, Salida máxima < 1 mW (láser Clase II)	
Tensión nominal	36 V c.c.		
Cartucho de batería	BL1815N, BL1820B, BL1830, BL1830B, BL1840B, BL1850B, BL1860B		
Cargador	DC18RC, DC18RD, DC18RE, DC18SD, DC18SE, DC18SF		
Dimensiones (La x An x Al)	805 mm x 644 mm x 660 mm (31-3/4" x 25-3/8" x 26")		
Peso neto	26,6 - 27,3 kg (58,6 - 60,2 lbs)		

Capacidades de corte (Al x An)

Ángulo de inglete	Ángulo de bisel		
	45° (izquierdo)	0°	45° (derecho)
0°	47 mm x 305 mm (1-7/8" x 12") 61 mm x 279 mm (2-3/8" x 11")	71 mm x 305 mm (2-13/16" x 12") 91 mm x 279 mm (3-5/8" x 11")	29 mm x 305 mm (1-1/8" x 12") 43 mm x 279 mm (1-11/16" x 11")
45° (derecho e izquierdo)	47 mm x 215 mm (1-7/8" x 8-1/2") 61 mm x 197 mm (2-3/8" x 7-3/4")	71 mm x 215 mm (2-13/16" x 8-1/2") 91 mm x 197 mm (3-5/8" x 7-3/4")	29 mm x 215 mm (1-1/8" x 8-1/2") 43 mm x 197 mm (1-11/16" x 7-3/4")
60° (derecho e izquierdo)	-	71 mm x 152 mm (2-13/16" x 6") 91 mm x 139 mm (3-5/8" x 5-1/2")	-

Capacidades de corte especiales

Tipo de corte	Capacidad de corte
Moldura tipo corona de 45° (usando el tope para moldura de corona)	168 mm (6-5/8")
Zócalo (usando la prensa horizontal)	133 mm (5-1/4")

- Debido a nuestro continuo programa de investigación y desarrollo, las especificaciones aquí incluidas están sujetas a cambio sin previo aviso.
- Las especificaciones y el cartucho de batería pueden variar de país a país.
- El peso puede variar en función de los accesorios, incluido el cartucho de batería. En la tabla se muestra la combinación de peso más ligero y más pesado conforme al procedimiento 01/2014 de EPTA.

ADVERTENCIAS DE SEGURIDAD

Por su propia seguridad lea el manual de instrucciones Antes de utilizar la herramienta. Conserve las instrucciones para referencia en el futuro.

Advertencias generales de seguridad para herramientas eléctricas

⚠ADVERTENCIA: Lea todas las advertencias de seguridad, instrucciones, ilustraciones y especificaciones suministradas con esta herramienta eléctrica. El no seguir todas las instrucciones indicadas a continuación podría ocasionar una descarga eléctrica, incendio y/o lesiones graves.

Conserve todas las advertencias e instrucciones como referencia en el futuro.

En las advertencias, el término "herramienta eléctrica" se refiere a su herramienta eléctrica de funcionamiento con conexión a la red eléctrica (con cableado eléctrico) o herramienta eléctrica de funcionamiento a batería (inalámblica).

Seguridad en el área de trabajo

1. **Mantenga el área de trabajo limpia y bien iluminada.** Las áreas oscuras o desordenadas son propensas a accidentes.
2. **No utilice las herramientas eléctricas en atmósferas explosivas, tal como en la presencia de líquidos, gases o polvo inflamables.** Las herramientas eléctricas crean chispas que pueden prender fuego al polvo o los humos.
3. **Mantenga a los niños y curiosos alejados mientras utiliza una herramienta eléctrica.** Las distracciones le pueden hacer perder el control.

Seguridad eléctrica

1. **Las clavijas de conexión de las herramientas eléctricas deberán encajar perfectamente en la toma de corriente. No modifique nunca la clavija de conexión de ninguna forma. No utilice ninguna clavija adaptadora con herramientas eléctricas que tengan conexión a tierra (puesta a tierra).** La utilización de clavijas no modificadas y que encajen perfectamente en la toma de corriente reducirá el riesgo de que se produzca una descarga eléctrica.
2. **Evite tocar con el cuerpo superficies conectadas a tierra o puestas a tierra tales como tubos, radiadores, cocinas y refrigeradores.** Si su cuerpo es puesto a tierra o conectado a tierra existirá un mayor riesgo de que sufra una descarga eléctrica.

3. **No exponga las herramientas eléctricas a la lluvia ni a condiciones húmedas.** La entrada de agua en una herramienta eléctrica aumentará el riesgo de que se produzca una descarga eléctrica.
4. **No maltrate el cable. Nunca utilice el cable para transportar, jalar o desconectar la herramienta eléctrica.** Mantenga el cable alejado del calor, aceite, objetos cortantes o piezas móviles. Los cables dañados o enredados aumentan el riesgo de sufrir una descarga eléctrica.
5. **Cuando utilice una herramienta eléctrica en exteriores, utilice un cable de extensión apropiado para uso en exteriores.** La utilización de un cable apropiado para uso en exteriores reducirá el riesgo de que se produzca una descarga eléctrica.
6. **Si no es posible evitar usar una herramienta eléctrica en condiciones húmedas, utilice un alimentador protegido con interruptor de circuito de falla a tierra (ICFT).** El uso de un ICFT reduce el riesgo de descarga eléctrica.
7. **Las herramientas eléctricas pueden producir campos electromagnéticos (CEM) que no son dañinos para el usuario.** Sin embargo, si los usuarios tienen marcapasos y otros dispositivos médicos similares, deberán consultar al fabricante de su dispositivo y/o a su médico antes de operar esta herramienta eléctrica.

Seguridad personal

1. **Manténgase alerta, preste atención a lo que está haciendo y utilice su sentido común cuando opere una herramienta eléctrica. No utilice una herramienta eléctrica cuando esté cansado o bajo la influencia de drogas, alcohol o medicamentos.** Un momento de distracción mientras opera las herramientas eléctricas puede terminar en una lesión grave.
2. **Use equipo de protección personal. Póngase siempre protección para los ojos.** El equipo protector tal como máscara contra el polvo, zapatos de seguridad antiderrapantes, casco rígido y protección para oídos utilizado en las condiciones apropiadas reducirá el riesgo de lesiones.
3. **Impida el encendido accidental. Asegúrese de que el interruptor esté en la posición de apagado antes de conectar a la alimentación eléctrica y/o de colocar el cartucho de batería, así como al levantar o cargar la herramienta.** Cargar las herramientas eléctricas con su dedo en el interruptor o enchufarlas con el interruptor encendido hace que los accidentes sean comunes.
4. **Retire cualquier llave de ajuste o llave de apriete antes de encender la herramienta.** Una llave de ajuste o llave de apriete que haya sido dejada puesta en una parte giratoria de la herramienta eléctrica puede ocasionar alguna lesión.
5. **No utilice la herramienta donde no alcance. Mantenga los pies sobre suelo firme y el equilibrio en todo momento.** Esto permite un mejor control de la herramienta eléctrica en situaciones inesperadas.
6. **Use una vestimenta apropiada. No use ropa suelta ni alhajas. Mantenga el cabello, la ropa y los guantes alejados de las piezas móviles.** Las prendas de vestir holgadas, las alhajas y el cabello largo suelto podrían engancharse en estas piezas móviles.

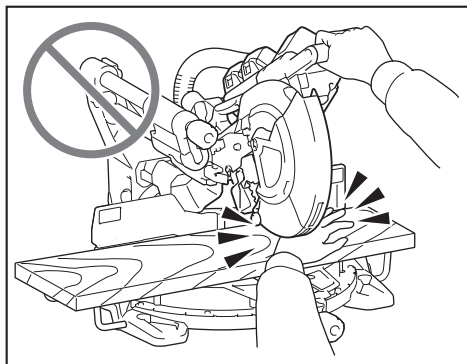
7. **Si dispone de dispositivos para la conexión de equipos de extracción y recolección de polvo, asegúrese de conectarlos y utilizarlos debidamente.** Hacer uso de la recolección de polvo puede reducir los riesgos relacionados con el polvo.
8. **No permita que la familiaridad adquirida debido al uso frecuente de las herramientas haga que se sienta confiado e ignore los principios de seguridad de las herramientas.** Un descuido podría ocasionar una lesión grave en una fracción de segundo.
9. **Utilice siempre gafas protectoras para proteger sus ojos de lesiones al usar herramientas eléctricas. Las gafas deben cumplir con la Norma ANSI Z87.1 en EUA.** Es responsabilidad del empleador imponer el uso de equipos protectores de seguridad apropiados a los operadores de la herramienta y demás personas cerca del área de trabajo.
8. **Mantenga los mangos y superficies de asiento secos, limpios y libres de aceite o grasa.** Los mangos y superficies de asiento resbalosos no permiten una manipulación segura ni el control de la herramienta en situaciones inesperadas.
9. **Cuando vaya a utilizar esta herramienta, evite usar guantes de trabajo de tela ya que éstos podrían atorarse.** Si los guantes de trabajo de tela llegan a atorarse en las piezas móviles, esto podría ocasionar lesiones personales.

Uso y cuidado de la herramienta a batería

1. **Recargue sólo con el cargador especificado por el fabricante.** Un cargador que es adecuado para un solo tipo de batería puede generar riesgo de incendio al ser utilizado con otra batería.
 2. **Utilice las herramientas eléctricas solamente con las baterías designadas específicamente para ellas.** La utilización de cualquier otra batería puede crear un riesgo de lesiones o incendio.
 3. **Cuando no se esté usando la batería, manténgala alejada de otros objetos metálicos, como sujetapapeles (clips), monedas, llaves, clavos, tornillos u otros objetos pequeños de metal los cuales pueden actuar creando una conexión entre las terminales de la batería.** Originar un cortocircuito en las terminales puede causar quemaduras o incendios.
 4. **En condiciones abusivas, podrá escapar líquido de la batería; evite tocarlo. Si lo toca accidentalmente, enjuague con agua. Si hay contacto del líquido con los ojos, busque asistencia médica.** Puede que el líquido expulsado de la batería cause irritación o quemaduras.
 5. **No utilice una herramienta ni una batería que estén dañadas o hayan sido modificadas.** Las baterías dañadas o modificadas podrían ocasionar una situación inesperada provocando un incendio, explosión o riesgo de lesiones.
 6. **No exponga la herramienta ni la batería al fuego ni a una temperatura excesiva.** La exposición al fuego o a una temperatura superior a los 130 °C podría causar una explosión.
 7. **Siga todas las instrucciones para la carga y evite cargar la herramienta o la batería fuera del rango de temperatura especificado en las instrucciones.** Una carga inadecuada o a una temperatura fuera del rango especificado podría dañar la batería e incrementar el riesgo de incendio.
- Mantenimiento y uso de la herramienta eléctrica**
1. **No fuerce la herramienta eléctrica. Utilice la herramienta eléctrica correcta para su aplicación.** La herramienta eléctrica adecuada hará un mejor trabajo y de forma más segura a la velocidad para la que ha sido fabricada.
 2. **No utilice la herramienta eléctrica si el interruptor no la enciende y apaga.** Cualquier herramienta eléctrica que no pueda ser controlada con el interruptor es peligrosa y debe ser reemplazada.
 3. **Desconecte la clavija de la fuente de alimentación y/o retire la batería de la herramienta eléctrica, en caso de ser removible, antes de realizar ajustes, cambiar accesorios o almacenar las herramientas eléctricas.** Tales medidas de seguridad preventivas reducirán el riesgo de poner en marcha la herramienta eléctrica de forma accidental.
 4. **Guarde la herramienta eléctrica que no use fuera del alcance de los niños y no permita que las personas que no están familiarizadas con ella o con las instrucciones la operen.** Las herramientas eléctricas son peligrosas en manos de personas que no saben operarlas.
 5. **Dé mantenimiento a las herramientas eléctricas y los accesorios.** Compruebe que no haya piezas móviles desalineadas o estancadas, piezas rotas y cualquier otra condición que pueda afectar al funcionamiento de la herramienta eléctrica. Si la herramienta eléctrica está dañada, haga que la reparen antes de utilizarla. Muchos de los accidentes son ocasionados por no dar un mantenimiento adecuado a las herramientas eléctricas.
 6. **Mantenga las herramientas de corte limpias y filosas.** Si recibe un mantenimiento adecuado y tiene los bordes afilados, es probable que la herramienta se atasque menos y sea más fácil controlarla.
 7. **Utilice la herramienta eléctrica, los accesorios y las brocas de acuerdo con estas instrucciones, considerando las condiciones laborales y el trabajo a realizar.** Si utiliza la herramienta eléctrica para realizar operaciones distintas de las indicadas, podrá presentarse una situación peligrosa.
- Servicio**
1. **Haga que una persona calificada repare la herramienta eléctrica utilizando sólo piezas de repuesto idénticas.** Esto asegura que se mantenga la seguridad de la herramienta eléctrica.
 2. **Nunca dé servicio a baterías que estén dañadas.** El servicio a las baterías solamente deberá ser efectuado por el fabricante o un agente de servicio autorizado.
 3. **Siga las instrucciones para la lubricación y cambio de accesorios.**

Instrucciones de seguridad para sierras de inglete

1. Las sierras de inglete están diseñadas para cortar madera o productos parecidos a la madera, éstas no pueden utilizarse con ruedas cortadoras abrasivas para cortar materiales ferrosos tales como barras, varillas, montantes, etc. El polvo abrasivo causa que las piezas móviles, tal como el protector inferior, se atasquen. Las chispas del corte abrasivo quemarán el protector inferior, el inserto de corte y otras piezas de plástico.
2. Siempre que sea posible, utilice abrazaderas para sujetar la pieza de trabajo. Si utiliza su mano para sostener la pieza de trabajo, deberá siempre mantenerla a por lo menos 100 mm de distancia de ambos lados del disco de la sierra. No utilice esta sierra para cortar pedazos que sean demasiado pequeños para ser sujetados firmemente con abrazaderas o sostenidos con la mano. El colocar su mano demasiado cerca del disco de la sierra incrementará el riesgo de lesiones a causa del contacto con el disco.
3. La pieza de trabajo deberá estar fija y firmemente sujeta o sostenida contra la guía y la mesa. No alimente la pieza de trabajo en el disco ni corte "a pulso" de ninguna manera. Las piezas de trabajo que no estén sujetas o se muevan podrían salir disparadas a altas velocidades ocasionando lesiones.
4. Empuje la sierra a través de la pieza de trabajo. No jale la sierra a través de la pieza de trabajo. Para realizar un corte, levante la cabeza de la sierra y júlela hacia afuera sobre la pieza de trabajo sin cortar, ponga en marcha el motor, presione hacia abajo la cabeza de la sierra y empuje la sierra a través de la pieza de trabajo. El cortar durante el trayecto de jalado podría causar que el disco de la sierra saltara por encima de la pieza de trabajo y que el conjunto del disco saliera disparado violentamente hacia el operador.
5. Nunca cruce su mano sobre la línea de corte prevista, ni por delante ni por detrás del disco de la sierra. Nunca sujete la pieza de trabajo con "la mano cruzada", es decir, sosteniendo la pieza de trabajo a la derecha del disco de la sierra con su mano izquierda y viceversa, ya que podría resultar muy peligroso.



6. No acerque las manos por detrás de la guía a más de 100 mm de distancia de ambos lados del disco de la sierra para extraer restos de madera ni por ninguna otra razón mientras el disco esté girando. La proximidad entre el disco de la sierra que está girando y su mano podría no ser obvia y ocasionarle una lesión grave.
7. Inspeccione su pieza de trabajo antes de cortar. Si la pieza de trabajo está doblada o torcida, sujétela con la parte arqueada exterior orientada hacia la guía. Asegúrese siempre de que no haya ningún espacio entre la pieza de trabajo, la guía y la mesa a lo largo de la línea de corte. Las piezas de trabajo dobladas o torcidas podrían voltearse o desplazarse y causar que el disco de la sierra que está girando se atore mientras corta. En la pieza de trabajo no debe haber clavos ni objetos extraños.
8. No utilice la sierra hasta que la mesa haya sido despejada y no haya ninguna herramienta, restos de madera, etc., salvo la pieza de trabajo. Los residuos pequeños o trozos de madera sueltos u otros objetos que estén en contacto con el disco giratorio podrían salir disparados a alta velocidad.
9. Sólo corte una pieza de trabajo a la vez. El tener varias piezas de trabajo apiladas no permite sujetarlas o sostenerlas adecuadamente pudiendo ocasionar que se atoraran en el disco o se desplazaran durante el corte.
10. Asegúrese de que la sierra de inglete esté instalada o colocada sobre una superficie de trabajo nivelada y firme antes de utilizarla. Una superficie de trabajo nivelada y firme reduce el riesgo de que la sierra de inglete se vuelva inestable.
11. Planifique su trabajo. Cada vez que cambie la posición del ángulo de bisel o de inglete, asegúrese de que la guía ajustable esté colocada correctamente para sostener la pieza de trabajo y que no obstaculice el disco o el sistema de protección. Sin encender la herramienta y sin ninguna pieza de trabajo sobre la mesa, desplace el disco de la sierra simulando un corte completo para asegurarse de que no habrá ningún obstáculo ni peligro de cortar la guía.
12. Proporcione un apoyo adecuado, tal como extensiones para la mesa, caballetes de aserrado, etc. para las piezas de trabajo más anchas o largas que la superficie de la mesa. Las piezas de trabajo más largas o anchas que la mesa de la sierra de inglete pueden volcarse si no están bien apoyadas. Si la pieza de corte o la pieza de trabajo llegara a volcarse, ésta podría levantar el protector inferior o ser lanzada por el disco que está girando.
13. No use a otra persona como sustituto de una extensión de la mesa o como apoyo adicional. Un apoyo inestable para la pieza de trabajo podría causar que el disco se atascara o que la pieza de trabajo se desplazara durante la operación de corte jalándolo a usted y a su ayudante hacia el disco que está girando.
14. La pieza de corte no debe atascarse ni ser presionada en ninguna forma contra el disco de la sierra que está girando. Si el espacio es reducido, por ej., al usar topes de longitud, la pieza de corte podría quedar atrapada contra el disco y salir disparada violentamente.

15. **Utilice siempre una abrazadera o algún accesorio diseñado para apoyar adecuadamente materiales redondos tales como varillas o tubos.** Las varillas tienden a rodar mientras se cortan, causando que el disco se “enganche” y jale la pieza de trabajo y su mano hacia el mismo.
16. **Permita que el disco alcance su velocidad completa antes de que entre en contacto con la pieza de trabajo.** Esto reducirá el riesgo de que la pieza de trabajo salga disparada.
17. **Si la pieza de trabajo o el disco llega a atascarse, apague la sierra de inglete.** Espere a que todas las piezas móviles se detengan y desconecte la clavija de la fuente de alimentación y/o retire la batería. Luego proceda a liberar el material atascado. El continuar cortando con una pieza de trabajo atascada podría ocasionar la pérdida de control o causar daños a la sierra de inglete.
18. **Una vez completado el corte, suelte el interruptor, sujete la sierra con la cabeza hacia abajo y espere a que el disco se detenga antes de retirar la pieza de corte.** El acercar su mano al disco mientras éste sigue girando por inercia es peligroso.
19. **Sujete la empuñadura firmemente cuando realice un corte incompleto o cuando suelte el interruptor antes de haber colocado totalmente hacia abajo la cabeza de la sierra.** La acción de frenado de la sierra podría causar que la cabeza de la sierra sea repentinamente jalada hacia abajo pudiendo ocasionar una lesión.
20. **Use solamente un disco de la sierra cuyo diámetro esté marcado en la herramienta o especificado en el manual.** El uso de un disco de tamaño incorrecto puede afectar la protección adecuada del disco o la operación del protector y ocasionar lesiones personales graves.
21. **Utilice únicamente los discos de la sierra marcados con una velocidad igual o mayor a la velocidad marcada en la herramienta.**
22. **Seleccione siempre el disco de la sierra correcto para el material que va a cortar. No utilice el disco de la sierra para cortar otros materiales distintos a los especificados.**
23. **No utilice la sierra para cortar algo que no sea madera, aluminio o materiales similares.**

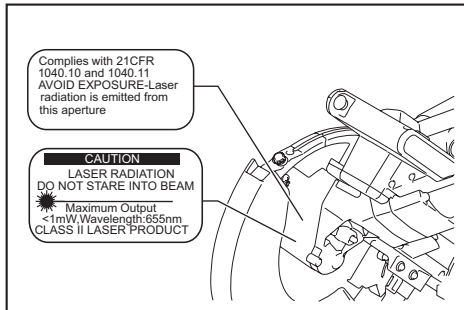
Instrucciones adicionales

1. **Mantenga el taller a prueba de niños usando candados.**
2. **Nunca se pare sobre la herramienta.** El volcar la herramienta o tocar accidentalmente la herramienta de corte podría ocasionar lesiones graves.
3. **Nunca deje la herramienta desatendida mientras esté en marcha. Desconecte la alimentación. No deje la herramienta hasta que se haya detenido completamente.**
4. **No utilice la sierra sin los protectores puestos. Verifique que el protector del disco cierre debidamente antes de cada uso. No utilice la sierra si el protector del disco no se mueve libremente y se cierra instantáneamente. No sujete ni ate el protector del disco en la posición abierta.**
5. **Mantenga las manos alejadas de la trayectoria del disco de la sierra. Evite el contacto con cualquier disco que esté girando por inercia. Aún puede ocasionarle heridas graves.**
6. **Para reducir el riesgo de lesiones, vuelva a poner el carro en la posición completamente hacia atrás después de cada operación de corte transversal.**
7. **Asegúrese siempre de que todas las partes móviles se encuentran fijas antes de transportar la herramienta.**
8. **La clavija de retención que bloquea el cabezal de corte en posición hacia abajo es solamente para transportar y almacenar la herramienta y no para ninguna operación de corte.**
9. **Inspeccione el disco cuidadosamente para ver si tiene grietas o daños antes de comenzar la operación. Reemplace el disco inmediatamente si está agrietado o dañado. El pegamento y la resina de madera endurecidas en los discos frenan la sierra y aumentan las posibilidades de que se produzcan retrocesos bruscos. Mantenga el disco limpio desmontándolo primero de la herramienta, y limpiándolo después con un producto para quitar pegamento y resina, agua caliente o queroseno. Nunca utilice gasolina para limpiar el disco.**
10. **Al realizar un corte por deslizamiento, puede producirse un RETROCESO BRUSCO. Los RETROCESOS BRUSCOS ocurren cuando el disco se trava en la pieza de trabajo durante una operación de corte y es impulsado rápidamente hacia el operador. El resultado puede ser la pérdida de control y lesiones graves. Si el disco comienza a trabarse durante una operación de corte, no continúe cortando y suelte el interruptor inmediatamente.**
11. **Utilice solamente las bridas especificadas para esta herramienta.**
12. **Tenga cuidado de no dañar el eje, las bridas (especialmente la superficie de instalación) ni el perno. Los daños en estas piezas podrían provocar la ruptura del disco.**
13. **Asegúrese de que la base giratoria esté debidamente asegurada de forma que no se mueva durante la operación. Utilice los orificios de la base para sujetar la sierra a una plataforma o banco de trabajo estable. NUNCA utilice la herramienta donde la posición del operador vaya a resultar incómoda.**
14. **Asegúrese de que el bloqueo de eje esté suelto antes de activar el interruptor.**
15. **Asegúrese de que el disco no esté en contacto con la base giratoria en la posición más baja.**
16. **Sostenga firmemente la empuñadura. Tenga en cuenta que la sierra se mueve levemente hacia arriba o hacia abajo al iniciar y al detener el funcionamiento.**
17. **Asegúrese de que el disco no esté haciendo contacto con la pieza de trabajo antes de activar el interruptor.**
18. **Antes de utilizar la herramienta en una pieza de trabajo definitiva, déjela funcionar durante un rato. Observe si hay vibración o bamboleo que pueda indicar una instalación incorrecta o un desequilibrio del disco.**

19. Pare la operación inmediatamente si nota algo anormal.
20. No intente bloquear el gatillo en la posición activada.
21. Utilice los accesorios recomendados en este manual. El uso de accesorios inapropiados tales como discos abrasivos podría ocasionar lesiones.
22. Algunos materiales contienen sustancias químicas que pueden ser tóxicas. Tome precauciones para evitar la inhalación de polvo y el contacto con la piel. Consulte la hoja de seguridad de materiales del proveedor.

Normas de seguridad adicionales para el láser

1. **RADIACIÓN LÁSER - NO FIJE LA VISTA EN EL RAYO.**
2. **EVITE LA EXPOSICIÓN - LA RADIACIÓN LÁSER ES EMITIDA DESDE LA ABERTURA.**
3. **EL USO DE LOS CONTROLES O AJUSTES O LA REALIZACIÓN DE PROCEDIMIENTOS EN FORMA DISTINTA A LA ESPECIFICADA EN ESTE MANUAL PODRÍA PROVOCAR UNA EXPOSICIÓN PELIGROSA A LA RADIACIÓN.**



Símbolos

A continuación se muestran los símbolos utilizados para la herramienta.

v	volts o voltios
— — —	corriente directa o continua
n ₀	velocidad sin carga
... /min r /min	revoluciones o alternaciones por minuto, frecuencia de rotación
	No coloque la mano ni los dedos cerca del disco.

Instrucciones importantes de seguridad para el cartucho de batería

1. Antes de utilizar el cartucho de batería, lea todas las instrucciones e indicaciones de precaución en el (1) el cargador de batería, (2) la batería, y (3) el producto con el que se utiliza la batería.
2. No desarme el cartucho de batería.
3. Si el tiempo de operación se ha acortado en exceso, deje de operar de inmediato. Podría correrse el riesgo de sobrecalentamiento, posibles quemaduras e incluso explosión.
4. En caso de que ingresen electrolitos en sus ojos, enjuáguelos bien con agua limpia y consulte de inmediato a un médico. Esto podría ocasionar pérdida de visión.
5. Evite cortocircuitar el cartucho de batería:
 - (1) No toque las terminales con ningún material conductor.
 - (2) Evite guardar el cartucho de batería en un cajón junto con otros objetos metálicos, tales como clavos, monedas, etc.
 - (3) No exponga el cartucho de batería al agua o la lluvia.

Un cortocircuito en la batería puede causar un flujo grande de corriente, sobrecalentamiento, posibles quemaduras e incluso una descompostura.

6. No guarde la herramienta ni el cartucho de batería en lugares donde la temperatura pueda alcanzar o exceder los 50°C (122°F).
7. Nunca incinere el cartucho de batería incluso en el caso de que esté dañado seriamente o ya no sirva en absoluto. El cartucho de batería puede explotar si se tira al fuego.
8. Tenga cuidado de no dejar caer ni golpear la batería.
9. No use una batería dañada.
10. Las baterías de ión de litio están sujetas a los requisitos reglamentarios en materia de bienes peligrosos. Para el transporte comercial, por ej., mediante terceros o agentes de transporte, se deben tomar en cuenta los requisitos especiales relativos al empaque y el etiquetado. Para efectuar los preparativos del artículo que se va a enviar, se requiere consultar a un experto en materiales peligrosos. Si es posible, consulte además otras regulaciones nacionales más detalladas. Pegue o cubra con cinta adhesiva los contactos abiertos y empaque la batería de manera que ésta no pueda moverse dentro del paquete.
11. Siga las regulaciones locales relacionadas al desecho de las baterías.

GUARDE ESTAS INSTRUCCIONES.

⚠️ PRECAUCIÓN: Utilice únicamente baterías originales de Makita. El uso de baterías no originales de Makita, o de baterías alteradas, puede ocasionar que las baterías exploten causando un incendio, lesiones personales y daños. Asimismo, esto invalidará la garantía de Makita para la herramienta y el cargador Makita.

Consejos para alargar al máximo la vida útil de la batería

1. Cargue el cartucho de batería antes de que se descargue completamente. Pare siempre la operación y cargue el cartucho de batería cuando note menos potencia en la herramienta.
2. No cargue nunca un cartucho de batería que esté completamente cargado. La sobrecarga acortará la vida de servicio de la batería.
3. Cargue el cartucho de batería a una temperatura ambiente de 10 °C - 40 °C (50 °F - 104 °F). Si un cartucho de batería está caliente, déjelo enfriar antes de cargarlo.
4. Cargue el cartucho de batería si no va a utilizarlo durante un período prolongado (más de seis meses).

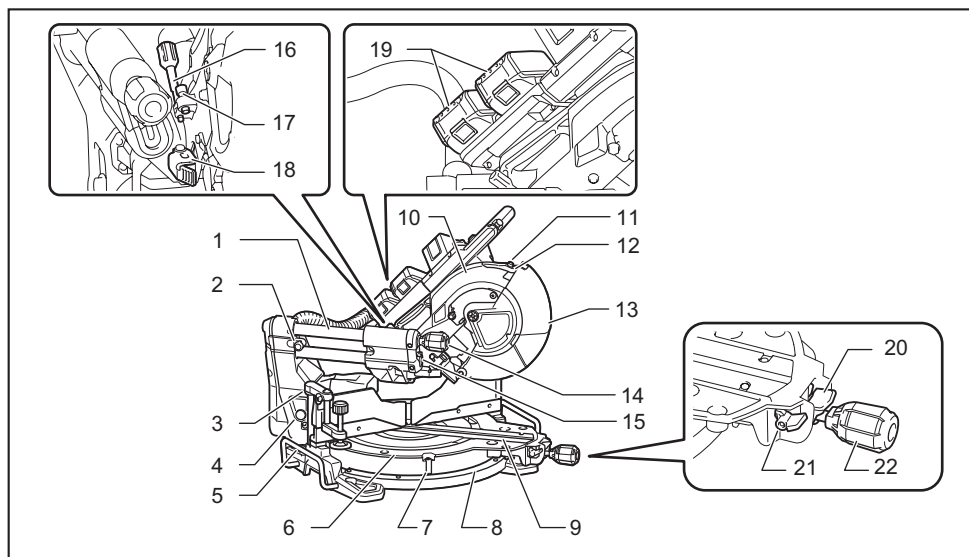
Instrucciones importantes de seguridad para la unidad inalámbrica

1. No desarme ni modifique la unidad inalámbrica.
2. Mantenga la unidad inalámbrica alejada de los niños pequeños. En caso de ingerirla accidentalmente, solicite atención médica de inmediato.
3. Utilice la unidad inalámbrica solamente con herramientas de Makita.
4. No exponga la unidad inalámbrica a la lluvia ni a condiciones de humedad.
5. No utilice la unidad inalámbrica en lugares donde la temperatura exceda los 50°C (122°F).
6. No utilice la unidad inalámbrica en lugares donde haya instrumentos médicos tales como marcapasos cerca.
7. No utilice la unidad inalámbrica en lugares donde haya dispositivos automáticos cerca. Si se utiliza, los dispositivos automáticos podrían causar alguna avería o error.
8. La unidad inalámbrica puede producir campos electromagnéticos (CEM), sin embargo éstos no son dañinos para el usuario.
9. La unidad inalámbrica es un instrumento de precisión. Tenga cuidado de no dejar caer ni golpear la unidad inalámbrica.
10. Evite tocar la terminal de la unidad inalámbrica con las manos descubiertas o con materiales metálicos.
11. Retire siempre la batería en la herramienta al instalar la unidad inalámbrica.

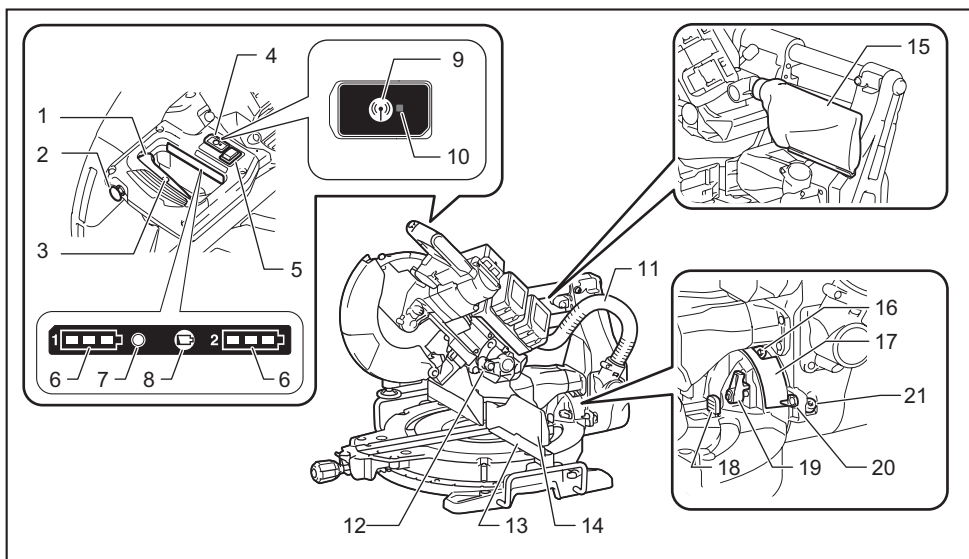
12. Cuando abra la tapa de la ranura, evite el lugar donde el polvo y el agua puedan introducirse en la ranura. Mantenga siempre la entrada de la ranura limpia.
13. Inserte siempre la unidad inalámbrica en la dirección correcta.
14. No oprima el botón de activación inalámbrica en la unidad inalámbrica demasiado fuerte, ni lo haga con ningún objeto que tenga un borde filoso.
15. Cierre siempre la tapa de la ranura durante la operación.
16. No retire la unidad inalámbrica de la ranura mientras se esté suministrando energía a la herramienta. El hacerlo podría causar una avería de la unidad inalámbrica.
17. No retire la etiqueta en la unidad inalámbrica.
18. No coloque ninguna etiqueta en la unidad inalámbrica.
19. No deje la unidad inalámbrica en un lugar donde pueda generarse electricidad estática o ruido eléctrico.
20. No deje la unidad inalámbrica en un lugar sujeto a temperaturas altas, tal como un vehículo estacionado bajo el sol.
21. No deje la unidad inalámbrica en un lugar donde haya polvo o suciedad ni en un lugar donde pueda generarse gas corrosivo.
22. Los cambios repentinos de temperatura podrían humedecer la unidad inalámbrica. No utilice la unidad inalámbrica hasta que la condensación se haya secado por completo.
23. Cuando vaya a limpiar la unidad inalámbrica, hágalo cuidadosamente usando un paño suave seco. No utilice bencina, disolvente, grasa conductora o sustancias similares.
24. Cuando vaya a almacenar la unidad inalámbrica, guárdela en el estuche suministrado o en un contenedor libre de electricidad estática.
25. No inserte ningún otro dispositivo que no sea la unidad inalámbrica de Makita en la ranura de la herramienta.
26. No utilice la herramienta si la tapa de la ranura está dañada. La entrada de agua, polvo o suciedad en la ranura podría causar una avería.
27. No jale ni tuerza la tapa de la ranura más de lo necesario. Vuelva a colocar la tapa si ésta se sale de la herramienta.
28. Reemplace la tapa de la ranura si llega a perderse o dañarse.

GUARDE ESTAS INSTRUCCIONES.

DESCRIPCIÓN DE LAS PIEZAS



1	Soporte de corredera	2	Clavija de retención (para el deslizamiento del carro)	3	Prensa vertical	4	Botón de liberación (para el ángulo de bisel del lado derecho)
5	Soporte	6	Base giratoria	7	Marcador (para el ángulo de inglete)	8	Escala del ángulo de inglete
9	Panel de corte	10	Caja del disco	11	Tornillo de ajuste (para la línea de láser)	12	Tornillo de ajuste de rango (para la línea de láser)
13	Protector del disco	14	Pomo (para el ángulo de bisel)	15	Llave hexagonal	16	Tornillo de ajuste (para la posición del límite inferior)
17	Perno de ajuste (para la máxima capacidad de corte)	18	Brazo de retención	19	Cartucho de batería	20	Palanca de bloqueo (para la base giratoria)
21	Palanca de liberación (para la base giratoria)	22	Perilla (para la base giratoria)	-	-	-	-

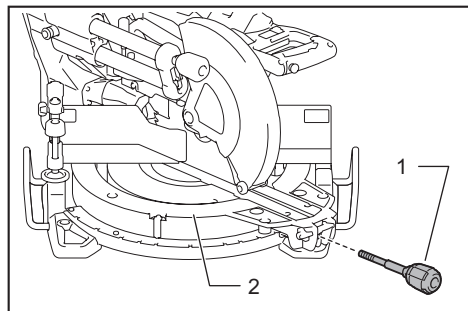


1	Gatillo interruptor	2	Botón de desbloqueo	3	Orificio para el candado	4	Tapa (para la unidad inalámbrica) (Para el modelo XSL04 únicamente)
5	Interruptor (para la línea de láser) (Para el modelo XSL04 XSL06)	6	Indicador de batería	7	Indicador de modo	8	Botón de verificación
9	Botón de activación inalámbrica	10	Luz indicadora de activa- ción inalámbrica	11	Manguera (para la extracción de polvo)	12	Clavija de retención (para la elevación del carro)
13	Guía lateral (guía inferior)	14	Guía lateral (guía superior)	15	Bolsa recolectora de polvo	16	Perno de ajuste de 0° (para el ángulo de bisel)
17	Escala del ángulo de bisel	18	Palanca de liberación (para el ángulo de bisel de 48°)	19	Palanca de la aldabilla (para el ángulo de bisel)	20	Marcador (para el ángulo de bisel)
21	Perno de ajuste de 45° (para el ángulo de bisel)	-	-	-	-	-	-

INSTALACIÓN

Instalación de la perilla

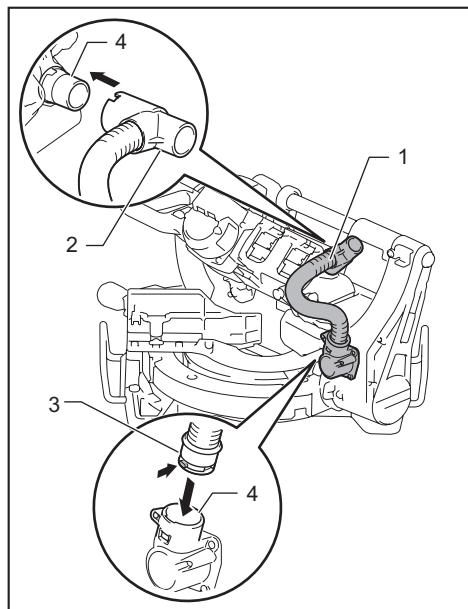
Atornille el eje roscado de la perilla en la base giratoria.



- 1. Perilla 2. Base giratoria

Instalación de la manguera de extracción de polvo

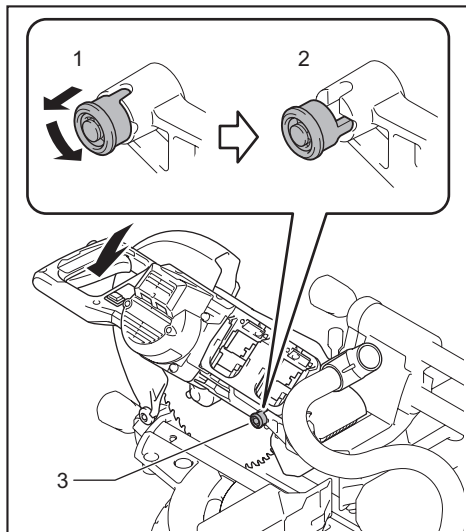
Conecte la manguera de extracción de polvo a la herramienta tal como se muestra en la ilustración. Asegúrese de que el codo y el manguito encajen correctamente en los puertos de la herramienta.



- 1. Manguera de extracción de polvo 2. Codo
3. Manguito 4. Puerto

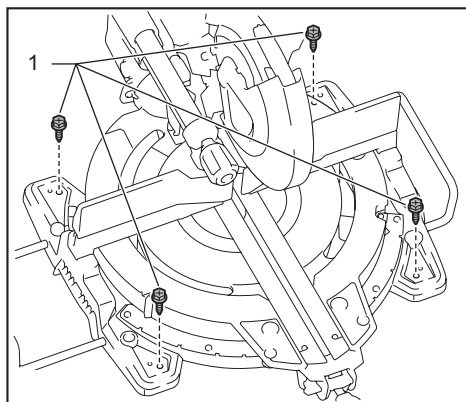
Montaje en un banco de trabajo

Cuando la herramienta sale de fábrica, la empuñadura es bloqueada en la posición hacia abajo por la clavija de retención. Mientras baja ligeramente la empuñadura, jale la clavija de retención y gírela 90°.



- 1. Posición bloqueada 2. Posición desbloqueada
3. Clavija de retención

Esta herramienta debe fijarse con cuatro pernos a una superficie nivelada y estable usando los orificios para pernos provistos en la base de la herramienta. Esto ayudará a evitar que la herramienta se vuelque y provoque lesiones.



- 1. Perno

⚠ ADVERTENCIA: Asegúrese de que la herramienta no se mueva sobre la superficie de apoyo. El movimiento de la sierra de inglete sobre la superficie de apoyo mientras se realiza un corte podría ocasionar la pérdida del control causando lesiones personales graves.

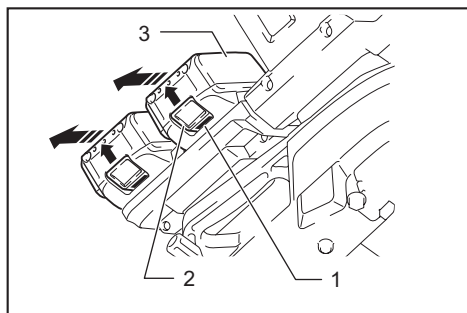
DESCRIPCIÓN DEL FUNCIONAMIENTO

⚠ADVERTENCIA: Asegúrese siempre de que la herramienta esté apagada y el cartucho de batería haya sido extraído antes de realizar cualquier ajuste o revisión del funcionamiento de la herramienta. El no apagar y extraer el cartucho de batería puede provocar lesiones personales graves a causa de un encendido accidental.

Instalación o extracción del cartucho de batería

⚠PRECAUCIÓN: Apague siempre la herramienta antes de colocar o quitar el cartucho de batería.

⚠PRECAUCIÓN: Sujete la herramienta y el cartucho de la batería con firmeza al colocar o quitar el cartucho de batería. Si no se sujeta con firmeza la herramienta y el cartucho de batería, puede ocasionar que se resbalen de sus manos causando daños a la herramienta y al cartucho de batería, así como lesiones a la persona.



▶ 1. Indicador rojo 2. Botón 3. Cartucho de batería

Para quitar el cartucho de batería, deslícelo de la herramienta mientras desliza el botón sobre la parte delantera del cartucho.

Para colocar el cartucho de batería, alinee la lengüeta sobre el cartucho de batería con la ranura en la carcasa y deslice en su lugar. Inserte por completo hasta que se fije en su lugar con un pequeño clic. Si puede ver el indicador rojo del lado superior del botón, esto indica que no ha quedado fijo por completo.

⚠PRECAUCIÓN: Introduzca siempre completamente el cartucho de batería hasta que el indicador rojo no pueda verse. Si no, podría accidentalmente salirse de la herramienta y caer al suelo causando una lesión a usted o alguien a su alrededor.

⚠PRECAUCIÓN: No instale el cartucho de batería a la fuerza. Si el cartucho no se desliza al interior fácilmente, se debe a que no está siendo insertado correctamente.

NOTA: La herramienta no funciona sólo con un cartucho de batería.

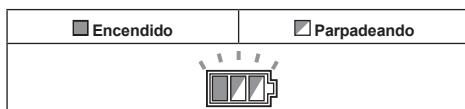
Sistema de protección para la herramienta/batería

La herramienta está equipada con un sistema de protección de la herramienta/batería. Este sistema corta en forma automática el suministro de energía al motor para prolongar la vida útil de la herramienta y la batería. La herramienta se detendrá automáticamente durante la operación si la herramienta o la batería se someten a una de las siguientes condiciones:

Protección contra sobrecarga

Cuando la herramienta se está utilizando de manera que causa que consuma una cantidad de corriente inusualmente alta, la herramienta se detiene automáticamente sin que haya indicación alguna. En este caso, apague la herramienta y detenga la aplicación que causó que la herramienta se sobrecargara. Luego encienda la herramienta para reiniciarla.

Protección contra sobrecalentamiento

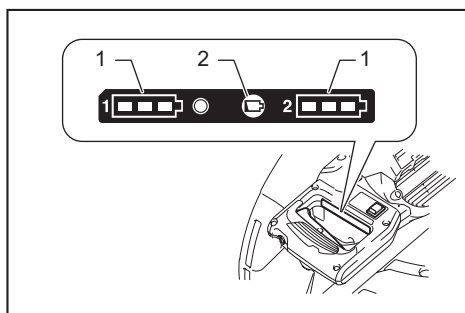


Cuando la herramienta se sobrecalienta, ésta se detiene automáticamente y el indicador de batería parpadea alrededor de 60 segundos. En este caso, espere a que la herramienta se enfríe antes de volver a encenderla.

Protección contra sobredescarga

Cuando la capacidad de la batería se reduce, la herramienta se detiene automáticamente. Si el producto no funciona incluso cuando los interruptores están siendo operados, retire las baterías de la herramienta y cárguelas.

Indicación de capacidad restante de la batería



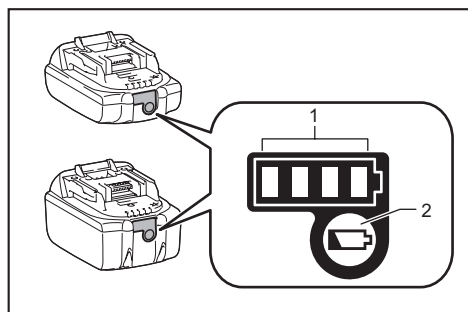
▶ 1. Indicador de batería 2. Botón de verificación

Opriente el botón de verificación para indicar las capacidades restantes de la batería. Los indicadores de batería corresponden a cada batería.

Estado del indicador de batería			Capacidad restante de la batería
Encendido	Apagado	Parpadeando	
			50% a 100%
			20% a 50%
			0% a 20%
			Cargar la batería

Indicación de la capacidad restante de la batería

Únicamente para cartuchos de batería con el indicador



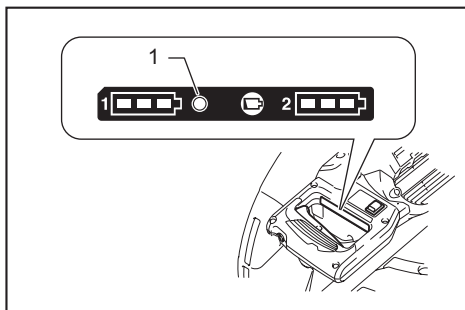
► 1. Luces indicadoras 2. Botón de verificación

Oprima el botón de verificación en el cartucho de la batería para que indique la capacidad restante de la batería. Las luces indicadoras se iluminarán por algunos segundos.

Luces indicadoras			Capacidad restante
Iluminadas	Apagadas	Parpadeando	
			75% a 100%
			50% a 75%
			25% a 50%
			0% a 25%
			Cargar la batería.
			La batería pudo haber funcionado mal.

NOTA: Dependiendo de las condiciones de uso y la temperatura ambiente, la indicación podrá diferir ligeramente de la capacidad real.

Función de cambio de velocidad automática

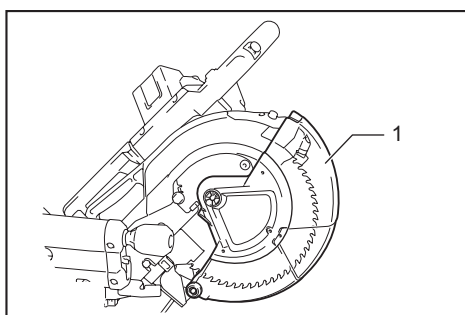


► 1. Indicador de modo

Estado del indicador de modo		Modo de operación
Encendido	Apagado	
		Modo de alta velocidad
		Modo de alta torsión

Esta herramienta cuenta con “modo de alta velocidad” y “modo de alta torsión”. Ésta cambia automáticamente el modo de operación dependiendo de la carga de trabajo. Cuando el indicador de modo se enciende durante la operación, la herramienta está en el modo de alta torsión.

Protector del disco



► 1. Protector del disco

Al bajar la empuñadura, el protector del disco se levanta automáticamente. El protector del disco es accionado por resorte, por lo que éste regresará a su posición original al terminar de realizar el corte y la empuñadura sea levantada.

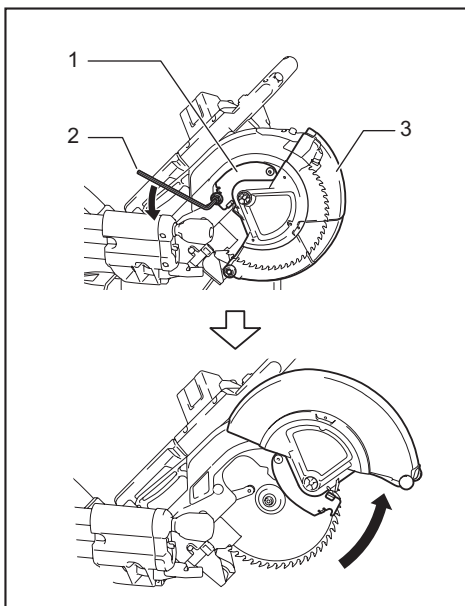
⚠ADVERTENCIA: Nunca inhabilite o quite el protector del disco, ni el resorte que lo fija. Un disco expuesto como resultado de inhabilitar el protector puede causar graves lesiones personales durante la operación.

Con el fin de garantizar su seguridad personal, mantenga siempre el protector del disco en buen estado. Cualquier operación irregular del protector del disco deberá ser corregida de inmediato. Asegúrese de comprobar la acción de regreso del protector mediante el resorte.

⚠ADVERTENCIA: Nunca use la herramienta si el protector del disco o el resorte están dañados, defectuosos o hacen falta. La operación de la herramienta con algún daño o defecto en el protector o si éste hace falta puede causar lesiones personales graves.

Si el protector transparente del disco se ensucia, o si el aserrín se adhiere de tal forma que cause que el disco y/o la pieza de trabajo ya no puedan verse fácilmente, retire las baterías y limpie cuidadosamente el protector con un paño húmedo. No utilice disolventes ni limpiadores a base de petróleo sobre el protector de plástico ya que esto podría dañarlo.

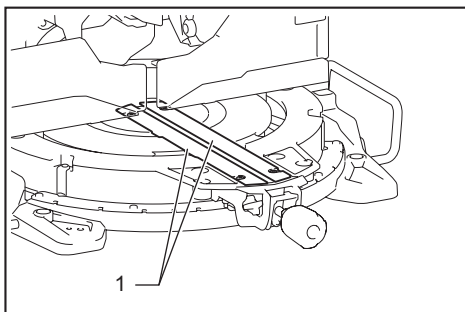
Si el protector del disco está especialmente sucio y no se logra ver a través del protector, retire las baterías y utilice la llave suministrada para aflojar el perno hexagonal que sujeta la cubierta central. Afloje el perno de cabeza hexagonal girándolo en sentido inverso al de las manecillas del reloj y levante el protector del disco y la cubierta central. Con el protector del disco en esta posición, la limpieza podrá realizarse de manera más completa y eficiente. Una vez terminada la limpieza, realice el procedimiento anterior en orden inverso y asegure el perno. No quite el resorte que sujeta el protector del disco. Si el protector llega a decolorarse con el tiempo o por la exposición a luz ultravioleta, póngase en contacto con un centro de servicio Makita para solicitar un protector nuevo. **NO INHABILITE NI RETIRE EL PROTECTOR.**



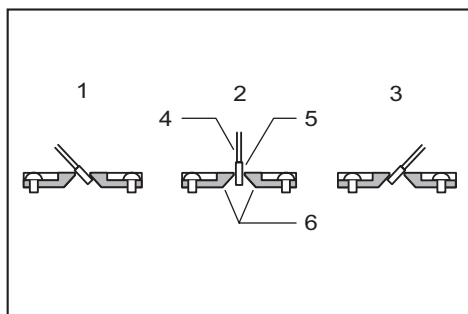
► 1. Cubierta central 2. Llave hexagonal 3. Protector del disco

Paneles de corte

La base giratoria de esta herramienta viene provista con paneles de corte a fin de minimizar el desgaste en el lado de salida del corte. Los paneles de corte están ajustados de fábrica de manera que éstos no hagan contacto con el disco de la sierra. Antes de utilizar la herramienta, ajuste los paneles de corte de la siguiente manera:



► 1. Panel de corte



- 1. Corte en bisel izquierdo 2. Corte recto 3. Corte en bisel derecho 4. Disco de la sierra 5. Dientes del disco 6. Panel de corte

Primero, retire las baterías. Afloje todos los tornillos (2 de cada lado a la izquierda y la derecha) que fijan los paneles de corte hasta que éstos todavía puedan moverse fácilmente a mano. Baje la empuñadura por completo y luego jale y gire la clavija de retención para bloquear la empuñadura en la posición inferior. Libere la clavija de retención en el soporte de corredera y luego jale el carro hacia usted completamente. Ajuste los paneles de corte de manera que éstos sólo hagan contacto con los costados de los dientes del disco. Apriete los tornillos delanteros (no los apriete por completo). Empuje el carro hacia la guía lateral por completo y ajuste los paneles de corte de tal forma que éstos apenas hagan contacto con los costados de los dientes del disco. Apriete los tornillos traseros (no los apriete por completo).

Una vez ajustados los paneles de corte, libere la clavija de retención y levante la empuñadura. Luego apriete todos los tornillos firmemente.

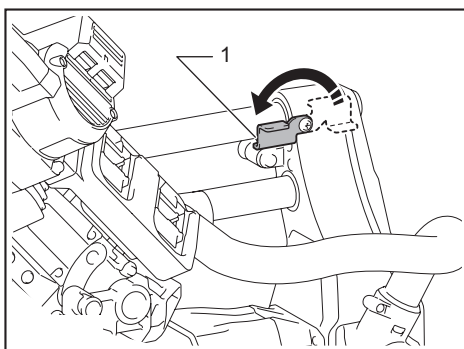
AVISO: Tras ajustar el ángulo de bisel, asegure que los paneles de corte queden ajustados correctamente. El ajuste correcto de los paneles de corte ayudará a ofrecer un apoyo adecuado de la pieza de trabajo minimizando su desprendimiento.

Mantenimiento de la capacidad máxima de corte

Esta herramienta está ajustada de fábrica para ofrecer la máxima capacidad de corte para un disco de la sierra de 255 mm (10").

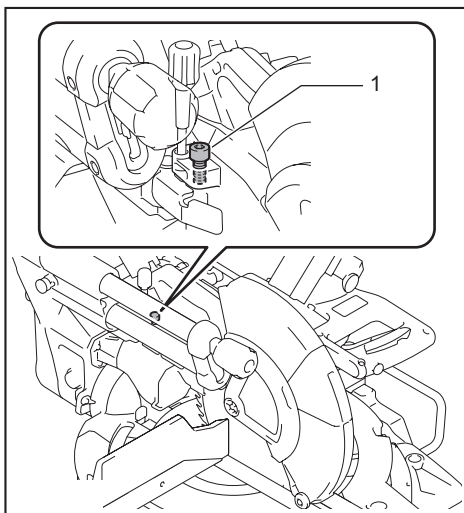
Al instalar un disco nuevo, revise siempre la posición del límite inferior del disco y, de ser necesario, haga el ajuste como se indica a continuación:

Primero, retire las baterías. Luego gire la palanca del tope a la posición enganchada.

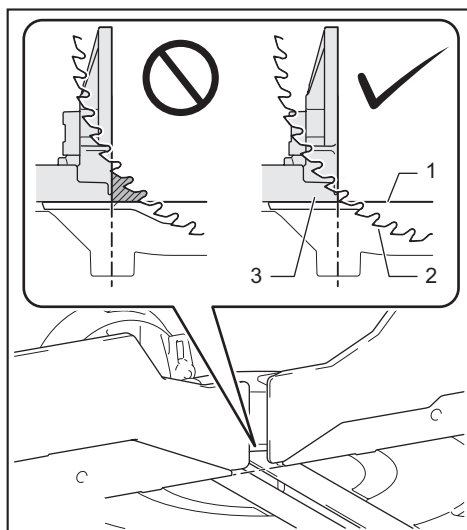


- 1. Palanca del tope

Empuje el carro hacia la guía lateral por completo y baje la empuñadura totalmente. Ajuste la posición del disco girando el perno de ajuste con la llave hexagonal. La periferia del disco deberá extenderse ligeramente por debajo de la superficie superior de la base giratoria y llegar además al punto donde la parte frontal de la guía lateral se encuentre con la superficie superior de la base giratoria.



- 1. Perno de ajuste



- 1. Superficie superior de la base giratoria
2. Periferia del disco 3. Guía lateral

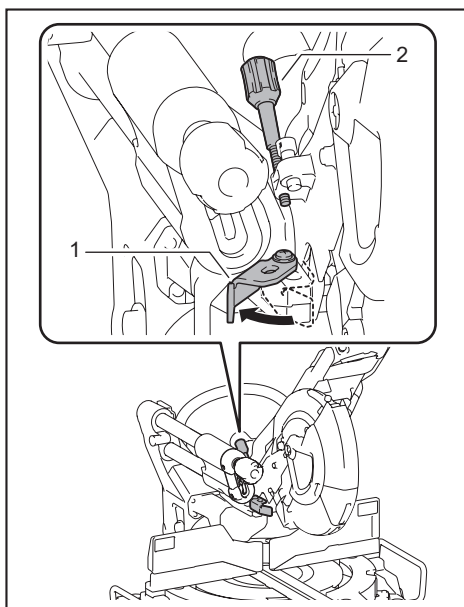
Con las baterías retiradas, gire el disco manualmente mientras sostiene la empuñadura completamente hacia abajo para asegurarse de que el disco no haga contacto con ninguna pieza de la base inferior. Reajuste ligeramente, en caso necesario.

Después del ajuste, regrese siempre la palanca de tope a la posición original.

⚠ADVERTENCIA: Tras la colocación de un disco nuevo y con las baterías retiradas, asegúrese siempre de que el disco no haga contacto con ninguna pieza de la base inferior al bajar la empuñadura por completo. Si un disco hace contacto con la base, puede producirse un retroceso brusco ocasionando lesiones personales graves.

Brazo de retención

La posición del límite inferior del disco puede ser ajustada fácilmente con el brazo de retención. Para ajustarla, gire el brazo de retención en la dirección de la flecha tal como se muestra en la figura. Gire el tornillo de ajuste de manera que el disco se detenga en la posición deseada al bajar por completo la empuñadura.

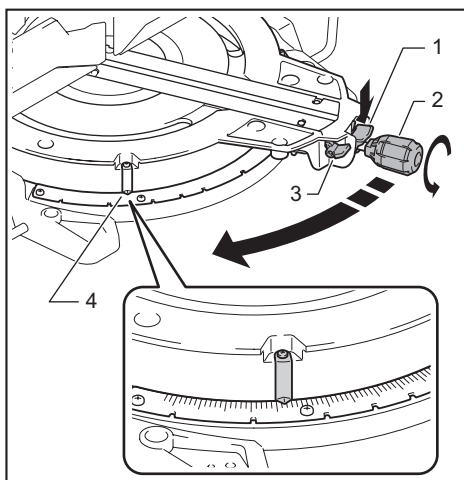


- 1. Brazo de retención 2. Tornillo de ajuste

Ajuste del ángulo de inglete

⚠PRECAUCIÓN: Luego de cambiar el ángulo de inglete, siempre asegure la base giratoria ajustando la perilla firmemente.

AVISO: Antes de girar la base, asegúrese de subir completamente la empuñadura.



- 1. Palanca de bloqueo 2. Perilla 3. Palanca de liberación 4. Marcador

Gire la perilla en el sentido inverso al de las manecillas del reloj para desbloquear la base giratoria. Gire la perilla mientras presiona hacia abajo la palanca de bloqueo para mover la base giratoria. Alinee el marcador con su ángulo deseado en la escala y luego apriete la perilla.

NOTA: Si oprime la palanca de liberación, usted podrá mover la base giratoria sin tener que mantener presionada hacia abajo la palanca de bloqueo. Apriete la perilla hasta su posición deseada.

Esta sierra de inglete emplea la función de tope de seguridad. Usted puede ajustar el ángulo de inglete izquierdo o derecho rápidamente en 0°, 15°, 22,5°, 31,6°, 45°, y 60°. Para utilizar esta función, mueva la base giratoria cerca de su ángulo de tope de seguridad deseado mientras presiona hacia abajo la palanca de bloqueo. Luego suelte la palanca de bloqueo y mueva la base giratoria hacia adelante hasta que ésta quede bloqueada.

Ajuste del ángulo de bisel

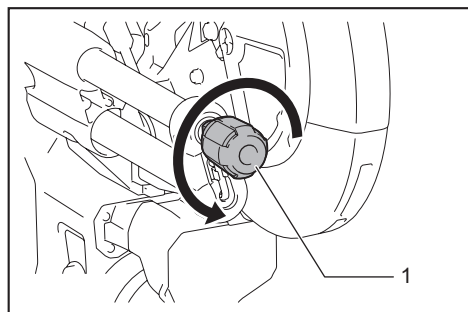
AVISO: Retire siempre las guías laterales superiores y la prensa vertical antes de ajustar el ángulo de bisel.

AVISO: Cuando cambie los ángulos de bisel, asegúrese de posicionar adecuadamente los paneles de corte, tal como se explica en la sección "Paneles de corte".

AVISO: Al inclinar el disco de la sierra, asegúrese de levantar la empuñadura por completo.

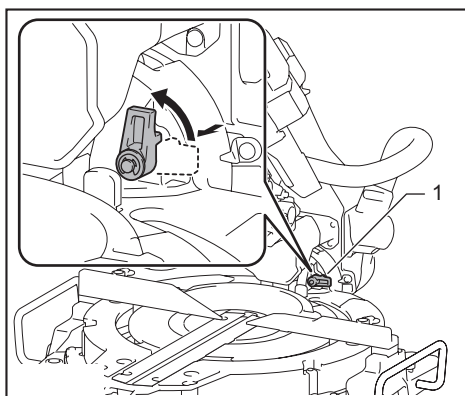
AVISO: No apriete el pomo con demasiada fuerza. El hacerlo podría causar una avería en el mecanismo de bloqueo del ángulo de bisel.

1. Gire el pomo en el soporte de corredera en sentido inverso al de las manecillas del reloj.



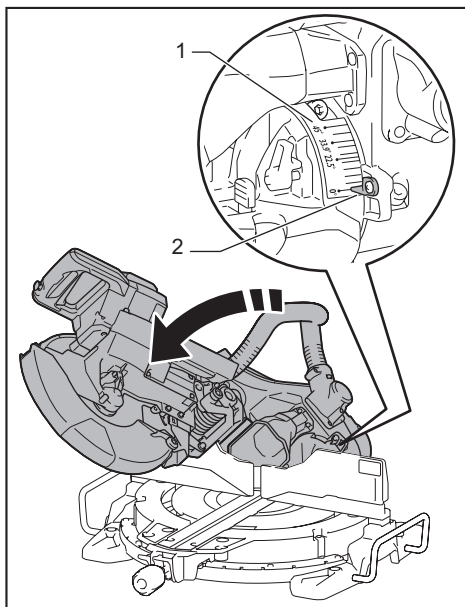
► 1. Pomo

2. Jale y gire la palanca de la aldabilla a la posición que se muestra en la ilustración.



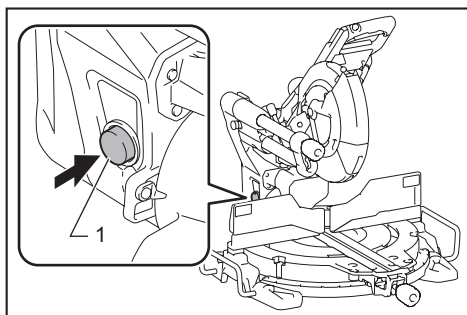
► 1. Palanca de la aldabilla

3. Ajuste el marcador en el ángulo que desee en la escala moviendo el carro y luego apriete el pomo.



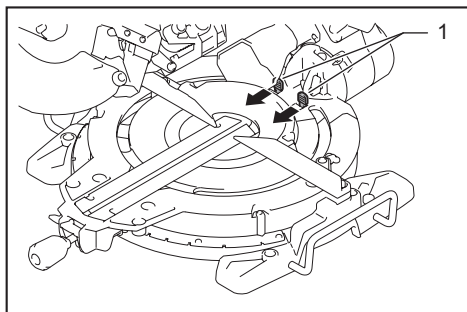
► 1. Escala del ángulo de bisel 2. Marcador

Para inclinar el carro a la derecha, incline el carro ligeramente a la izquierda y luego inclínelo a la derecha mientras presiona hacia abajo el botón de liberación.



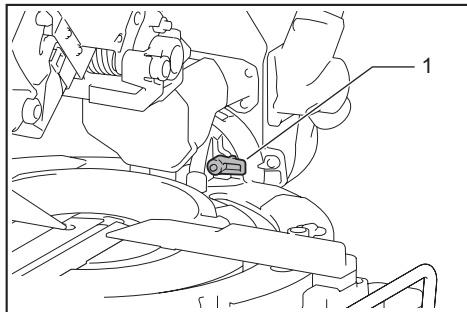
► 1. Botón de liberación

Si realiza un corte en bisel mayor de 45°, mueva el carro mientras desliza la palanca de liberación hacia la parte delantera de la herramienta. Usted puede realizar un corte en bisel de hasta 48°.



► 1. Palanca de liberación

Esta sierra de inglete emplea la función de tope de seguridad. Usted puede ajustar rápidamente el ángulo tanto del lado derecho como del izquierdo en 22,5° y 33,9°. Coloque la palanca de la aldabilla en la posición que se muestra en la ilustración e incline el carro. Para cambiar el ángulo, jale la palanca de la aldabilla e incline el carro.

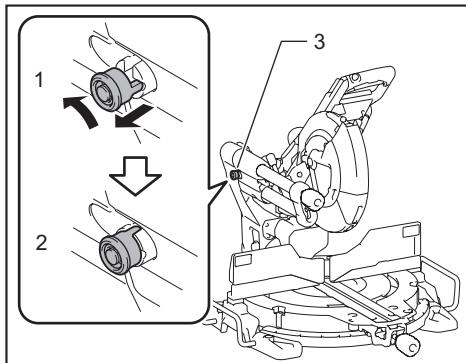


► 1. Palanca de la aldabilla

⚠PRECAUCIÓN: Después de cambiar el ángulo de bisel, asegure siempre el pomo.

Bloqueo de deslizamiento

Para bloquear el movimiento de deslizamiento del carro, empuje el carro hacia la guía lateral hasta que se detenga. Jale la clavija de retención y gírela 90°.



► 1. Posición desbloqueada 2. Posición bloqueada 3. Clavija de retención

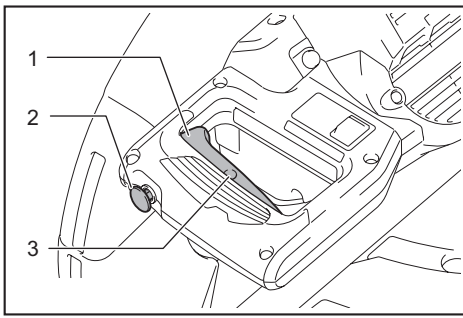
Accionamiento del interruptor

⚠ADVERTENCIA: Antes de colocar las baterías en la herramienta, verifique siempre que el gatillo interruptor se accione debidamente y que regrese a la posición de apagado al soltarlo. No jale fuertemente el gatillo interruptor sin presionar el botón de desbloqueo. Esto podría dañar el interruptor. Usar una herramienta con un interruptor que no funciona adecuadamente puede resultar en pérdida de control ocasionando graves lesiones a la persona.

⚠ADVERTENCIA: NUNCA use la herramienta sin un gatillo interruptor completamente funcional. Cualquier herramienta con un interruptor que no funcione correctamente es SUMAMENTE PELIGROSA y debe ser reparada antes de continuar su uso o podría causar lesiones personales graves.

⚠ADVERTENCIA: NUNCA inhabilite el botón de desbloqueo manteniéndolo presionado con cinta adhesiva o mediante otro método. El uso de un interruptor con un botón de desbloqueo inhabilitado puede ocasionar una operación accidental y lesiones personales graves.

⚠ADVERTENCIA: NUNCA use la herramienta si se activa simplemente al jalar el gatillo interruptor sin que haya presionado el botón de desbloqueo. El uso de un interruptor que requiere reparación puede ocasionar una operación accidental y lesiones personales graves. Lleve la herramienta a un centro de servicio Makita para las reparaciones apropiadas ANTES de continuar su uso.



- 1. Gatillo interruptor 2. Botón de desbloqueo
3. Orificio para el candado

El botón de desbloqueo es suministrado para evitar jalar accidentalmente el gatillo interruptor. Para encender la herramienta, presione el botón de desbloqueo y jale el gatillo interruptor. Para detenerla, suelte el gatillo interruptor.

El gatillo interruptor cuenta con un orificio para insertar un candado para el bloqueo de la herramienta.

⚠️ ADVERTENCIA: No utilice un candado con un fuste o cable de menos de 6,35 mm (1/4") de diámetro. Un fuste o cable menor podría no bloquear la herramienta adecuadamente en la posición de apagado, ocasionando una operación accidental que podría causar lesiones personales graves.

Freno eléctrico

La herramienta está equipada con un freno eléctrico para el disco. Si la herramienta falla constantemente en detener el disco tras soltar el gatillo interruptor, lleve la herramienta a mantenimiento a un centro de servicio Makita.

⚠️ PRECAUCIÓN: El sistema de frenado del disco no es un sustituto del protector del disco. Nunca use la herramienta sin un protector funcional del disco. El uso de un disco sin el protector puede ocasionar graves lesiones personales.

Función eléctrica

Control de velocidad constante

La herramienta está equipada con un control electrónico de velocidad que ayuda a mantener una velocidad de rotación constante del disco aun estando bajo carga. Una velocidad de rotación constante del disco dará como resultado un corte muy suave.

Función de inicio suave

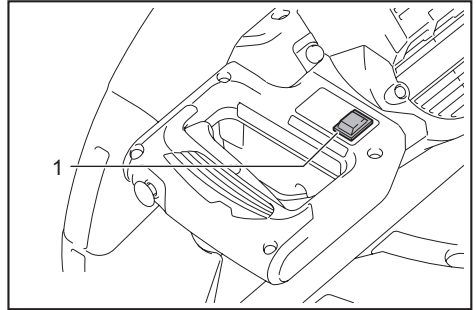
Esta función permite un arranque suave de la herramienta limitando la torsión durante la puesta en marcha.

Acción del rayo láser

Para el modelo XSL04 XSL06

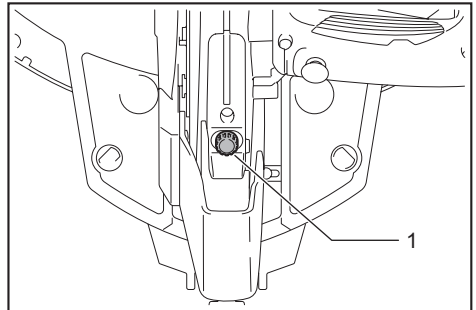
⚠️ PRECAUCIÓN: Nunca fije la mirada en el rayo láser. Mirar directamente al rayo láser podría lastimar sus ojos.

Para encender el rayo láser, oprima la posición superior (I) del interruptor. Para apagar el rayo láser, oprima la posición inferior (0) del interruptor.



- 1. Interruptor para el láser

La línea de láser puede ser cambiada ya sea al lado izquierdo o derecho del disco de la sierra girando el tornillo de ajuste tal como se muestra a continuación.



- 1. Tornillo de ajuste

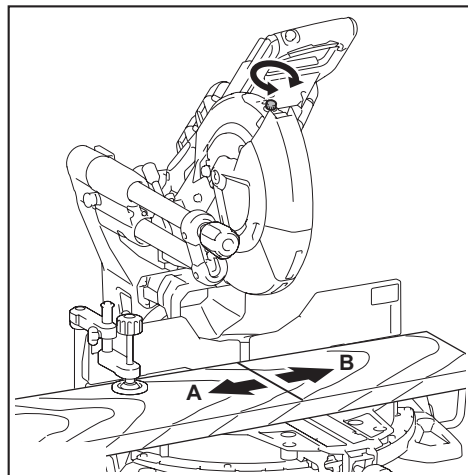
1. Afloje el tornillo de ajuste girándolo en sentido inverso al de las manecillas del reloj.
2. Con el tornillo de ajuste aflojado, deslice el tornillo de ajuste a la derecha o la izquierda tan lejos como llegue.
3. Apriete el tornillo de ajuste firmemente en la posición donde deje de deslizarse.

NOTA: La línea de láser viene ajustada de fábrica de manera que está posicionada dentro de 1 mm (0,04") desde la superficie lateral del disco (posición de corte).

NOTA: Cuando la línea de láser parezca tenue y difícil de percibir a causa de la luz directa del sol, reubique el área de trabajo en un lugar donde haya menos luz directa del sol.

Alineación de la línea de láser

Alinee la línea de corte en su pieza de trabajo con la línea de láser.



A) Cuando desee obtener el tamaño correcto del lado izquierdo de la pieza de trabajo, cambie la línea de láser a la izquierda del disco.

B) Cuando desee obtener el tamaño correcto del lado derecho de la pieza de trabajo, cambie la línea de láser a la derecha del disco.

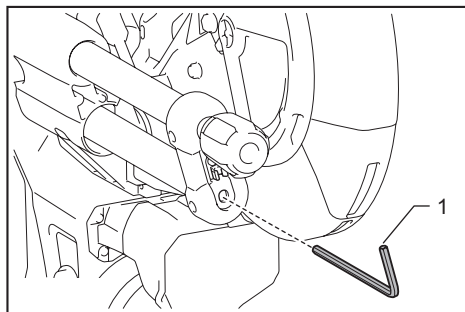
NOTA: Utilice el elemento auxiliar de madera contra la guía lateral cuando alinee la línea de corte con la línea de láser en la parte lateral de la guía lateral en el corte compuesto (ángulo de bisel de 45° y ángulo de inglete derecho de 45°).

MONTAJE

⚠ ADVERTENCIA: Asegúrese siempre de que la herramienta esté apagada y el cartucho de batería extraído antes de realizar algún trabajo con la herramienta. No seguir esta indicación de retirar el cartucho de la batería de la herramienta puede que resulte en graves lesiones personales.

Almacenamiento de la llave Allen (hexagonal)

Cuando no la utilice, guarde la llave hexagonal como se muestra en la figura para evitar que se pierda.



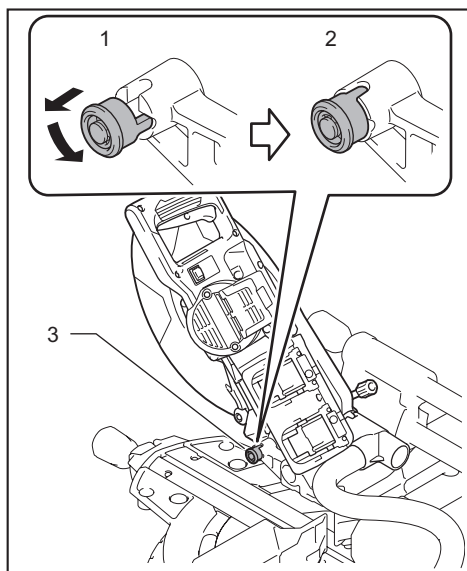
▶ 1. Llave Allen (hexagonal)

Extracción e instalación del disco de la sierra

⚠ ADVERTENCIA: Siempre asegúrese de que la herramienta esté apagada y que el cartucho de batería haya sido extraído antes de instalar o desinstalar el disco. El encendido accidental de la herramienta puede resultar en lesiones personales graves.

⚠ ADVERTENCIA: Utilice únicamente la llave suministrada por Makita para instalar o extraer el disco. El no utilizar la llave podría ocasionar un apriete excesivo o insuficiente del perno de cabeza hexagonal y provocar lesiones personales graves.

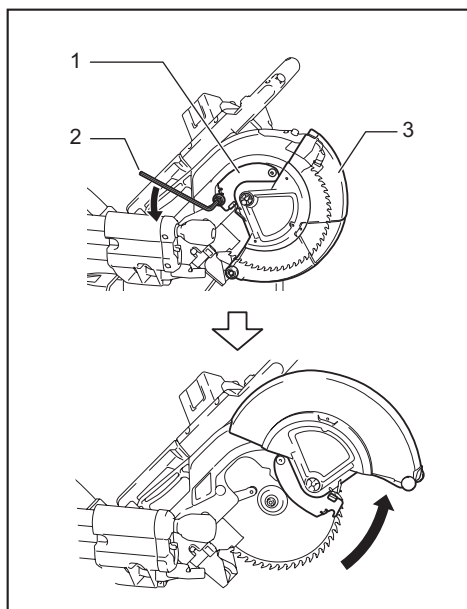
Bloquee siempre el carro con la posición levantada cuando extraiga e instale el disco. Jale la clavija de retención y gírela 90° con el carro levantado.



- 1. Posición desbloqueada 2. Posición bloqueada
3. Clavija de retención

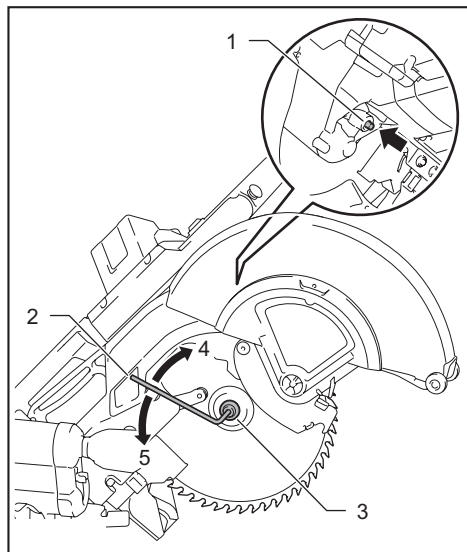
Extracción del disco

Afije el perno de cabeza hexagonal que sujeta la cubierta central usando la llave hexagonal. Levante el protector del disco y la cubierta central.



- 1. Cubierta central 2. Llave hexagonal 3. Protector del disco

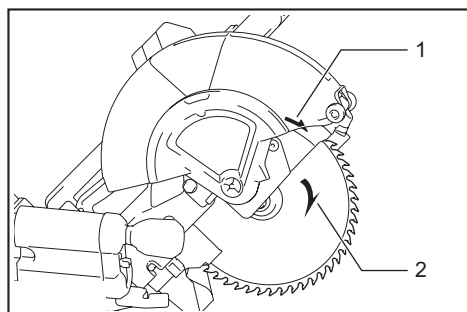
Presione el bloqueo del eje para bloquear el eje y use la llave hexagonal para aflojar el perno de cabeza hexagonal. Luego retire el perno de cabeza hexagonal, la brida exterior y el disco.



- 1. Bloqueo de eje 2. Llave hexagonal 3. Perno de cabeza hexagonal (rosca hacia la izquierda)
4. Aflojar 5. Apretar

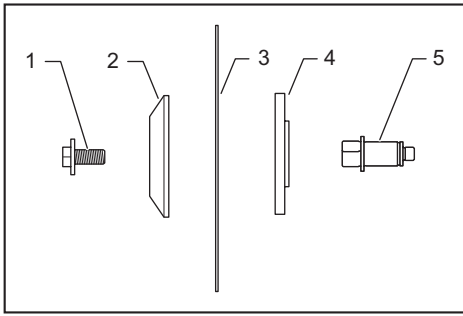
Instalación del disco

Instale el disco cuidadosamente en el eje, asegurándose de que la dirección de la flecha en la superficie del disco coincida con la dirección de la flecha en la caja del disco.



- 1. Flecha en la caja del disco 2. Flecha en el disco

Instale la brida exterior y el perno de cabeza hexagonal. Apriete el perno de cabeza hexagonal en sentido inverso al de las manecillas del reloj usando la llave hexagonal mientras presiona el bloqueo del eje.



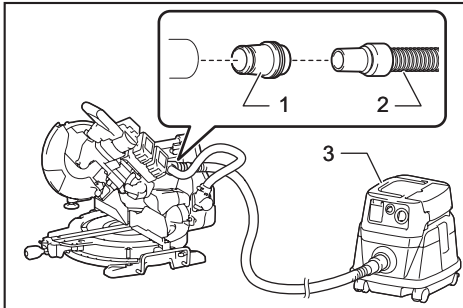
- 1. Perno de cabeza hexagonal 2. Brida exterior
- 3. Disco de la sierra 4. Brida interior 5. Eje

AVISO: Si la brida interior es extraída, asegúrese de instalarla en el eje con su protuberancia orientada hacia afuera del disco. Si la brida es instalada incorrectamente, ésta rozará contra la máquina.

Regrese el protector del disco y la cubierta central a su posición original. Luego apriete el perno de cabeza hexagonal en el sentido de las manecillas del reloj para asegurar la cubierta central. Desbloquee la clavija de retención para liberar el carro de la posición levantada. Baje la empuñadura para asegurarse de que el protector del disco se mueva adecuadamente. Asegúrese de que el bloqueo del eje haya liberado el eje antes de hacer el corte.

Conexión de una aspiradora

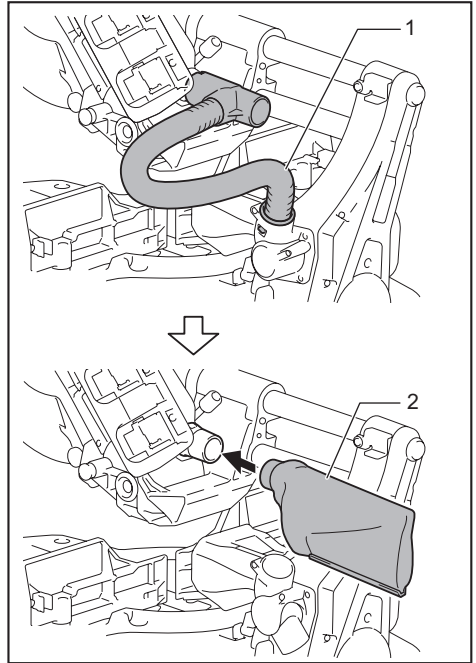
Cuando desee realizar una operación de corte limpia, conecte una aspiradora Makita a la boquilla para polvo usando los manguitos delanteros 24 (accesorios opcionales).



- 1. Manguitos delanteros 24 2. Manguera
- 3. Aspiradora

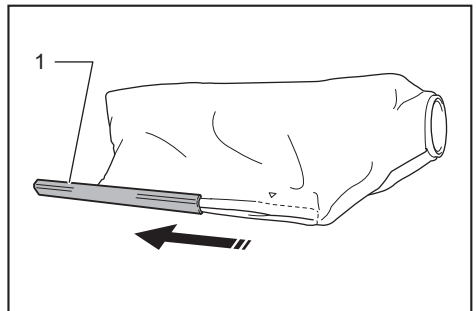
Bolsa recolectora de polvo

El uso de la bolsa recolectora de polvo permite realizar operaciones de corte limpias y facilita la recolección de polvo. Para colocar la bolsa recolectora de polvo, retire la manguera de extracción de polvo en la herramienta y conecte la bolsa recolectora de polvo.



- 1. Manguera de extracción de polvo 2. Bolsa recolectora de polvo

Cuando la bolsa recolectora de polvo se haya llenado casi a la mitad, retírela de la herramienta y abra el cierre. Vacíe el contenido de la bolsa recolectora de polvo golpeándola ligeramente a fin de remover las partículas adheridas en el interior que pudieran dificultar la recolección más adelante.



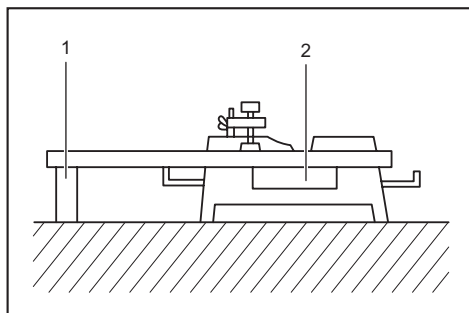
- 1. Cierre

Aseguramiento de la pieza de trabajo

⚠ ADVERTENCIA: Es sumamente importante asegurar siempre la pieza de trabajo de manera correcta usando un tipo adecuado de prensa o topes para moldura de corona. El no hacerlo podría ocasionar lesiones personales graves y causar daños a la herramienta y/o la pieza de trabajo.

⚠ ADVERTENCIA: Tras una operación de corte, no levante el disco hasta que éste se haya detenido por completo. Levantar un disco que aún se encuentra girando puede causar lesiones personales graves y daños a la pieza de trabajo.

⚠ ADVERTENCIA: Cuando corte una pieza de trabajo que sea más larga que la base de apoyo de la sierra, el material deberá apoyarse sobre toda su longitud más allá de la base de apoyo y a la misma altura de ésta a fin de mantenerlo nivelado. Un apoyo adecuado de la pieza de trabajo ayudará a evitar que el disco se trabe ocasionando un posible retroceso brusco que podría causar lesiones personales graves. No dependa solamente de las prensas vertical y/u horizontal que fijan la pieza de trabajo. Las piezas delgadas tienden a pandearse. Apoye la pieza de trabajo sobre su longitud completa para evitar que el disco se trabe, así como un posible RETROCESO BRUSCO.



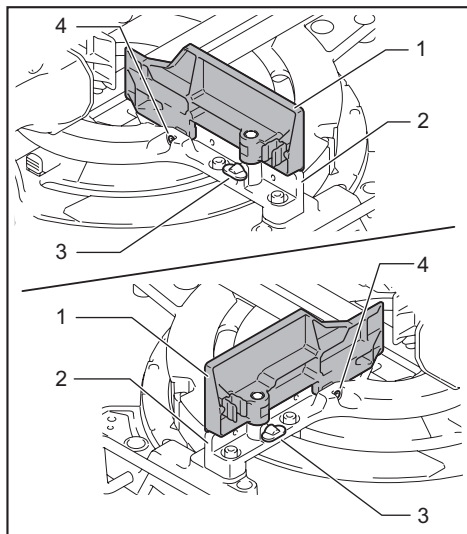
► 1. Apoyo 2. Base giratoria

Guías laterales

⚠ ADVERTENCIA: Antes de operar la herramienta, asegúrese de que la guía superior esté firmemente asegurada.

⚠ ADVERTENCIA: Antes de realizar un corte en bisel, asegúrese de que ninguna de las piezas de la herramienta, en especial el disco, haga contacto con las guías superior e inferior cuando baje y levante totalmente la empuñadura en cualquier posición y al desplazar el carro a través de su rango completo de recorrido. Si la herramienta o el disco llegaran a hacer contacto con la guía, podría producirse un retroceso brusco o algún movimiento inesperado del material ocasionando lesiones personales graves.

Utilice las guías superiores para apoyar el material más arriba de las guías inferiores. Inserte la guía superior en el orificio de la guía inferior y apriete el tornillo de fijación.

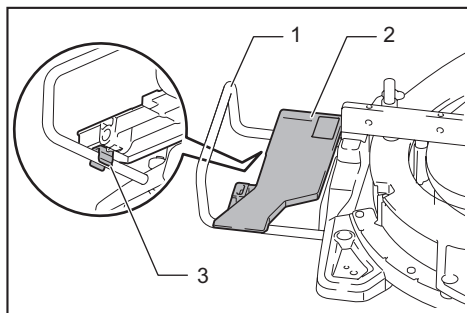


► 1. Guía superior 2. Guía inferior 3. Tornillo de fijación 4. Tornillo de ajuste

AVISO: Las guías inferiores vienen fijadas a la base de fábrica. No quite las guías inferiores.

AVISO: Si la guía superior sigue estando suelta después de apretar el tornillo de fijación, gire el tornillo de ajuste para cerrar el espacio. El tornillo de ajuste viene ajustado de fábrica. No tiene que usarlo a menos que se requiera.

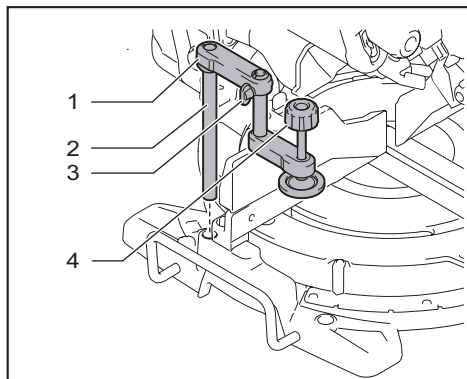
Usted puede guardar las guías superiores en el soporte cuando no las utilice. Use la horquilla en la guía superior para sujetarla en el soporte.



► 1. Soporte 2. Guía superior 3. Horquilla

Presna vertical

⚠ADVERTENCIA: La pieza de trabajo deberá estar firmemente sujeta contra la base giratoria y la guía lateral con la prensa durante todas las operaciones. Si la pieza de trabajo no queda debidamente asegurada contra la guía, el material podría desplazarse durante la operación de corte ocasionando daños al disco, y salir disparado causando la pérdida de control y lesiones personales graves.



- 1. Brazo de la prensa 2. Varilla de la prensa
3. Tornillo de fijación 4. Seguro de la prensa

La prensa vertical se puede instalar en dos posiciones, ya sea del lado izquierdo o derecho de la base. Inserte la varilla de la prensa en el orificio de la base.

Posicione el brazo de la prensa según el grosor y la forma de la pieza de trabajo y asegúrelo apretando el tornillo. Si el tornillo de fijación hace contacto con el carro, instálelo en el lado opuesto del brazo de la prensa. Asegúrese de que ninguna pieza de la herramienta haga contacto con la prensa al bajar por completo la empuñadura. Si alguna pieza hace contacto con la prensa, vuelva a posicionar la prensa.

Presione la pieza de trabajo en forma horizontal contra la guía lateral y la base giratoria. Coloque la pieza de trabajo en la posición de corte deseada y asegúrela con firmeza ajustando el seguro de la prensa.

NOTA: Para un ajuste rápido de la pieza de trabajo, gire el seguro de la prensa 90° en sentido inverso al de las manecillas del reloj para poder moverlo hacia arriba y hacia abajo. Una vez ajustada la pieza de trabajo, gire el seguro de la prensa en el sentido de las manecillas del reloj para asegurarla.

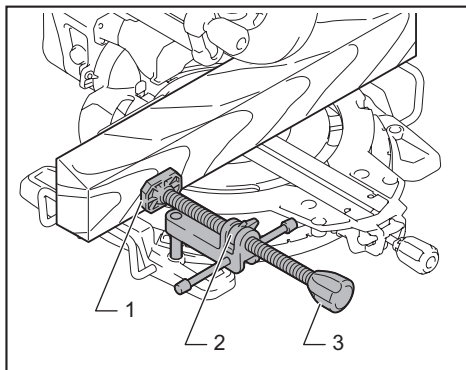
Presna horizontal

Accesorio opcional

⚠ADVERTENCIA: Gire siempre la tuerca de la prensa en el sentido de las manecillas del reloj hasta que la pieza de trabajo quede firmemente asegurada. Si la pieza de trabajo no queda debidamente asegurada, el material podría desplazarse durante la operación de corte ocasionando daños al disco, y salir disparado causando la pérdida de control y lesiones personales graves.

⚠ADVERTENCIA: Utilice siempre la prensa horizontal cuando corte piezas de trabajo delgadas, tales como zócalos, contra la guía.

La prensa horizontal se puede instalar en dos posiciones, ya sea del lado izquierdo o derecho de la base. Cuando realice cortes en inglete de 22,5° o más, instale la prensa horizontal en el lado opuesto a la dirección en la que la base giratoria vaya a girar.



- 1. Placa de la prensa 2. Tuerca de la prensa
3. Seguro de la prensa

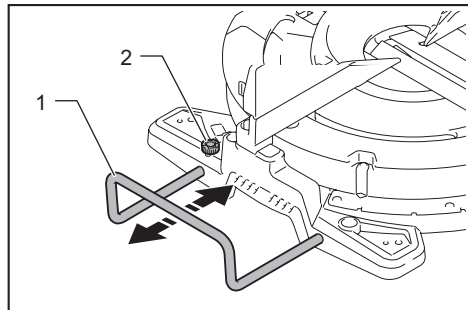
Si gira la tuerca de la prensa en sentido inverso al de las manecillas del reloj, la prensa se liberará y podrá desplazarse rápidamente hacia adentro y hacia afuera. Para sujetar la pieza de trabajo, empuje el seguro de la prensa hacia adelante hasta que la placa de la prensa haga contacto con la pieza de trabajo y gire la tuerca de la prensa en el sentido de las manecillas del reloj. Luego gire el seguro de la prensa en el sentido de las manecillas del reloj para asegurar la pieza de trabajo.

NOTA: El ancho máximo de la pieza de trabajo que puede asegurarse con la prensa horizontal es de 228 mm (9").

Soportes

⚠ADVERTENCIA: Apoye siempre una pieza de trabajo de gran tamaño de tal forma que esté nivelada con la superficie de la base giratoria para un corte preciso y para evitar una pérdida peligrosa del control de la herramienta. Un apoyo adecuado de la pieza de trabajo ayudará a evitar que el disco se trabe ocasionando un posible retroceso brusco que podría causar lesiones personales graves.

Para sostener piezas de trabajo largas de forma horizontal, la herramienta cuenta con soportes a ambos lados. Afloje los tornillos y extienda los soportes a una longitud adecuada para sostener la pieza de trabajo. Luego apriete los tornillos.



► 1. Soporte 2. Tornillo

OPERACIÓN

⚠ADVERTENCIA: Asegúrese de que el disco no esté haciendo contacto con la pieza de trabajo u otro material antes de activar el interruptor. Encender la herramienta mientras el disco esté haciendo contacto con la pieza de trabajo puede ocasionar retrocesos bruscos y lesiones personales graves.

⚠ADVERTENCIA: Tras una operación de corte, no levante el disco hasta que éste se haya detenido por completo. Levantar un disco que aún se encuentra girando puede causar lesiones personales graves y daños a la pieza de trabajo.

⚠ADVERTENCIA: No realice ningún ajuste en la herramienta, tal como mover la perilla, el pomo y las palancas, mientras el disco esté girando. El hacer ajustes mientras el disco está girando podría ocasionar lesiones personales graves.

AVISO: Antes de usar la herramienta, asegúrese de desbloquear la clavija de retención y liberar la empuñadura de la posición hacia abajo.

AVISO: No haga excesiva presión sobre la empuñadura mientras corta. Demasiada fuerza podría sobrecargar el motor y/o disminuir la eficacia del corte. La fuerza ejercida sobre la empuñadura debe ser sólo la necesaria para realizar un corte parejo sin disminuir de manera significativa la velocidad del disco.

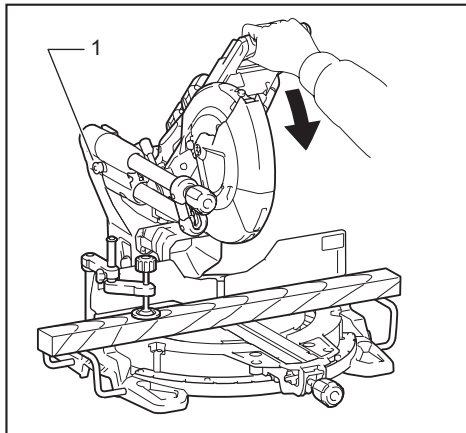
AVISO: Presione suavemente la empuñadura para realizar el corte. Si la empuñadura es oprimida con fuerza, o si aplica presión lateral, el disco vibrará y dejará una marca (marca de sierra) en la pieza de trabajo y la precisión del corte se verá perjudicada.

AVISO: Cuando realice un corte por deslizamiento, empuje suavemente el carro hacia la guía lateral sin detenerse. Si el carro se detiene durante el corte, quedará una marca en la pieza de trabajo y la precisión de dicho corte se verá afectada.

Corte con prensa

⚠ADVERTENCIA: Bloquee siempre el movimiento de deslizamiento del carro cuando realice un corte con prensa. El cortar sin haberlo bloqueado podría causar un retroceso brusco ocasionando lesiones personales graves.

Las piezas de trabajo de hasta 71 mm (2-13/16") de alto y 155 mm (6-1/8") de ancho pueden ser cortadas de la siguiente manera.



► 1. Clavija de retención

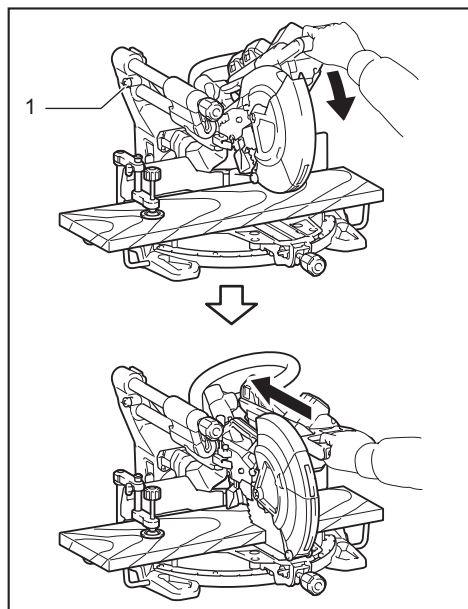
1. Empuje el carro hacia la guía lateral hasta que se detenga y bloquéelo con la clavija de retención.
2. Asegure la pieza de trabajo con el tipo adecuado de prensa.
3. Encienda la herramienta sin que el disco haga contacto alguno y espere a que éste adquiera velocidad completa antes de bajar la empuñadura.
4. Luego baje lentamente la empuñadura a la posición completamente hacia abajo para realizar el corte en la pieza de trabajo.
5. Una vez finalizado el corte, apague la herramienta y espere hasta que el disco se haya detenido por completo antes de regresar el disco a su posición elevada.

Corte por deslizamiento (empuje) (corte de piezas de trabajo anchas)

⚠️ ADVERTENCIA: Siempre que realice un corte por deslizamiento, jale primero el carro por completo hacia usted y presione la empuñadura completamente hacia abajo, y luego empuje el carro hacia la guía lateral. Nunca inicie el corte con el carro sin haberlo jalado completamente hacia usted. Si realiza cortes por deslizamiento sin haber jalado el carro completamente hacia usted, podrían generarse retrocesos bruscos inesperados causando lesiones personales graves.

⚠️ ADVERTENCIA: Nunca intente realizar un corte por deslizamiento mientras jala el carro hacia usted. Jalar el carro hacia usted mientras se realiza un corte puede ocasionar retrocesos bruscos inesperados causando lesiones personales graves.

⚠️ ADVERTENCIA: Nunca realice cortes por deslizamiento con la empuñadura bloqueada en la posición hacia abajo.



► 1. Clavija de retención

1. Desbloquee la clavija de retención para que el carro pueda deslizarse libremente.
2. Asegure la pieza de trabajo con el tipo adecuado de prensa.
3. Jale el carro por completo hacia usted.
4. Encienda la herramienta sin que el disco haga contacto alguno y espere hasta que ésta alcance la velocidad máxima.
5. Presione hacia abajo la empuñadura y **empuje el carro hacia la guía lateral y a través de la pieza de trabajo.**
6. Una vez finalizado el corte, apague la herramienta y espere hasta que el disco se haya detenido por completo antes de regresar el disco a su posición elevada.

Corte en inglete

Consulte la sección “Ajuste del ángulo de inglete” descrita anteriormente.

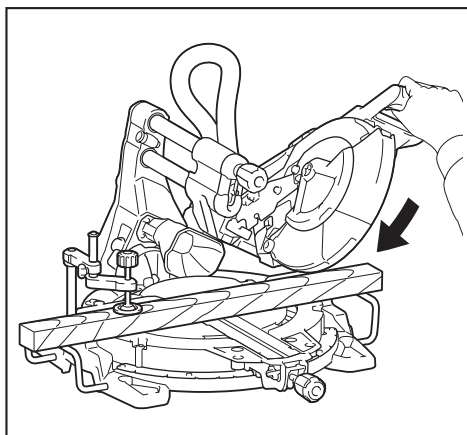
Corte en bisel

⚠️ ADVERTENCIA: Una vez que haya ajustado el disco para realizar un corte en bisel, asegúrese de que el carro y el disco puedan desplazarse libremente a través del rango completo del corte previsto antes de operar la herramienta. La interrupción del trayecto del carro o disco durante la operación de corte puede ocasionar retrocesos bruscos causando lesiones personales graves.

⚠️ ADVERTENCIA: Mientras realiza cortes en bisel, mantenga las manos fuera de la ruta del disco. El ángulo del disco puede confundir al operador respecto a la ruta actual del disco mientras se realiza el corte haciendo que tenga contacto con el disco lo cual causará lesiones personales graves.

⚠️ ADVERTENCIA: El disco no deberá levantarse hasta que se haya detenido por completo. El fragmento cortado de una pieza de trabajo durante un corte en bisel podría quedar colocado contra el disco. Si el disco se eleva mientras está girando, el fragmento cortado podría ser proyectado por el disco causando que se fragmente u ocasione lesiones personales graves.

AVISO: Al presionar la empuñadura hacia abajo, hágalo paralelamente con el disco. Si se aplica fuerza de manera perpendicular a la base giratoria o si la dirección de la presión es modificada durante el corte, la precisión del corte se verá afectada.



1. Retire la guía superior del lado donde vaya a inclinar el carro.
2. Desbloquee la clavija de retención.
3. Ajuste el ángulo de bisel conforme al procedimiento explicado en la sección “Ajuste del ángulo de bisel”. Luego apriete el pomo.
4. Asegure la pieza de trabajo con una prensa.
5. Jale el carro por completo hacia usted.

6. Encienda la herramienta sin que el disco haga contacto alguno y espere hasta que ésta alcance la velocidad máxima.
7. Baje suavemente la empuñadura hasta la posición completamente hacia abajo aplicando presión paralelamente con el disco y **empuje el carro hacia la guía lateral para cortar la pieza de trabajo.**
8. Una vez finalizado el corte, apague la herramienta y **espere hasta que el disco se haya detenido por completo** antes de regresar el disco a su posición completamente elevada.

Corte compuesto

El corte compuesto es un proceso en el que el ángulo de bisel se hace al mismo tiempo en el que el ángulo de inglete está siendo cortado en la pieza de trabajo. El corte compuesto puede realizarse en el ángulo que se muestra en la tabla.

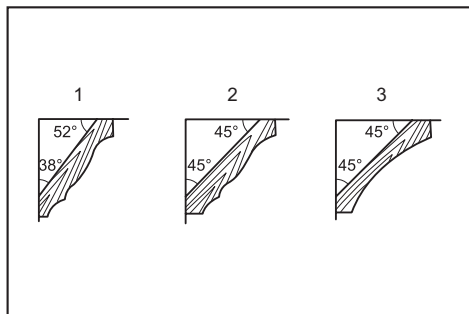
Ángulo de inglete	Ángulo de bisel
Izquierdo y derecho 0° - 45°	Izquierdo y derecho 0° - 45°

Cuando realice un corte compuesto, consulte las explicaciones de "Corte con prensa", "Corte por deslizamiento (empuje)", "Corte en inglete" y "Corte en bisel".

Corte de molduras corona y cóncava

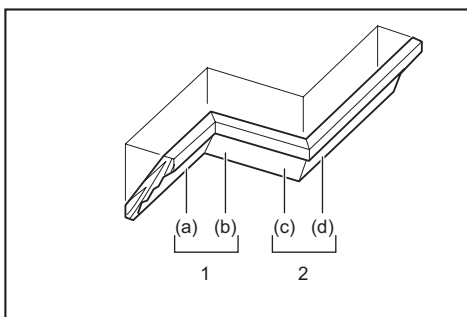
Las molduras corona y cóncava pueden ser cortadas con una sierra de inglete telescópica, colocando las molduras sobre la base giratoria.

Existen dos tipos comunes de molduras corona y un tipo de moldura cóncava; moldura corona de ángulo de pared de 52/38°, moldura corona de ángulo de pared de 45° y moldura cóncava de ángulo de pared de 45°.

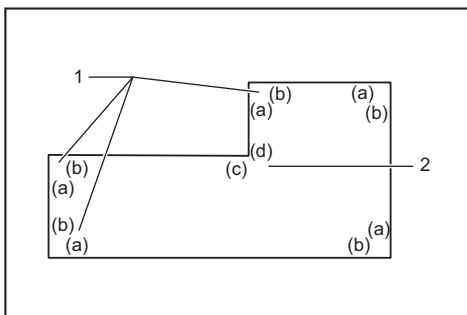


- 1. Moldura tipo corona de 52/38° 2. Moldura tipo corona de 45° 3. Moldura tipo cóncava de 45°

Existen juntas de molduras corona y molduras cóncavas que se realizan para ser insertadas en rincones "Internos" de 90° ((a) y (b) en la figura) y rincones "Externos" de 90° ((c) y (d) en la figura).



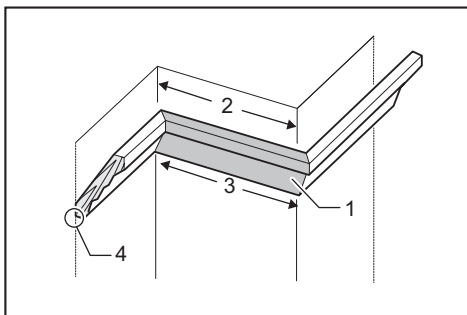
1. Rincón interno 2. Rincón externo



1. Rincón interno 2. Rincón externo

Medición

Mida el ancho de la pared y ajuste la anchura de la pieza de trabajo de acuerdo con éste. Siempre asegúrese de que el ancho del borde de contacto con la pared de la pieza de trabajo sea el mismo que la longitud de la pared.

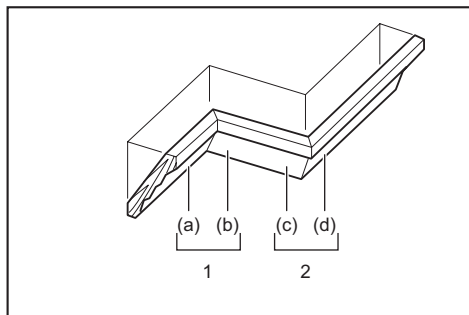


- 1. Pieza de trabajo 2. Anchura de la pared 3. Anchura de la pieza de trabajo 4. Borde de contacto con la pared

Siempre haga pruebas de corte con varias piezas a fin de verificar los ángulos de la sierra.

Cuando corte molduras corona y cóncava, fije el ángulo de bisel y el ángulo de inglete tal como se indica en la tabla (A), y posicione las molduras en la parte superior de la base de la sierra tal como se indica en la tabla (B).

En caso de corte en bisel izquierdo



1. Rincón interno 2. Rincón externo

Tabla (A)

-	Posición de la moldura en la figura	Ángulo de bisel		Ángulo de inglete	
		Tipo de 52/38°	Tipo de 45°	Tipo de 52/38°	Tipo de 45°
Para rincón interno	(a)	Izquierda 33,9°	Izquierda 30°	Derecha 31,6°	Derecha 35,3°
	(b)			Izquierda 31,6°	Izquierda 35,3°
Para rincón externo	(c)			Derecha 31,6°	Derecha 35,3°
	(d)			Derecha 31,6°	Derecha 35,3°

Tabla (B)

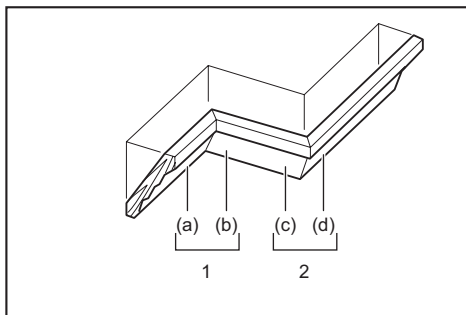
-	Posición de la moldura en la figura	Borde de la moldura contra la guía lateral	Pieza terminada
Para rincón interno	(a)	El borde de contacto con el techo deberá estar contra la guía lateral.	La pieza terminada estará del lado izquierdo del disco.
	(b)	El borde de contacto con la pared deberá estar contra la guía lateral.	
Para rincón externo	(c)	El borde de contacto con el techo deberá estar contra la guía lateral.	La pieza terminada estará del lado derecho del disco.
	(d)	El borde de contacto con la pared deberá estar contra la guía lateral.	

Ejemplo:

En caso de cortar una moldura tipo corona de 52/38° para la posición (a) en la figura de arriba:

- Inclíne y asegure la posición del ángulo de bisel a 33,9° a la IZQUIERDA.
- Ajuste y asegure la posición del ángulo de inglete a 31,6° a la DERECHA.
- Coloque la moldura corona con la superficie ancha de la parte trasera (oculta) sobre la base giratoria con el BORDE DE CONTACTO CON EL TECHO apoyado sobre la guía lateral de la sierra.
- La pieza terminada a ser utilizada siempre debe estar del lado IZQUIERDO del disco luego de terminado el corte.

En caso de un corte en bisel derecho



1. Rincón interno 2. Rincón externo

Tabla (A)

-	Posición de la moldura en la figura	Ángulo de bisel		Ángulo de inglete	
		Tipo de 52/38°	Tipo de 45°	Tipo de 52/38°	Tipo de 45°
Para rincón interno	(a)	Derecha 33,9°	Derecha 30°	Derecha 31,6°	Derecha 35,3°
	(b)			Izquierda 31,6°	Izquierda 35,3°
Para rincón externo	(c)			Derecha 31,6°	Derecha 35,3°
	(d)			Derecha 31,6°	Derecha 35,3°

Tabla (B)

-	Posición de la moldura en la figura	Borde de la moldura contra la guía lateral	Pieza terminada
Para rincón interno	(a)	El borde de contacto con la pared deberá estar contra la guía lateral.	La pieza terminada estará del lado derecho del disco.
	(b)	El borde de contacto con el techo deberá estar contra la guía lateral.	
Para rincón externo	(c)	El borde de contacto con la pared deberá estar contra la guía lateral.	La pieza terminada estará del lado izquierdo del disco.
	(d)	El borde de contacto con la pared deberá estar contra la guía lateral.	

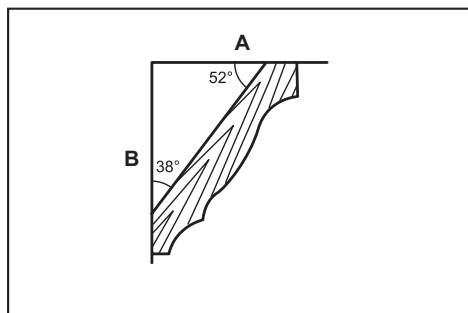
Ejemplo:

En caso de cortar una moldura tipo corona de 52/38° para la posición (a) en la figura de arriba:

- Inclíne y asegure la posición del ángulo de bisel a 33,9° a la DERECHA.
- Ajuste y asegure la posición del ángulo de inglete a 31,6° a la DERECHA.
- Coloque la moldura de corona con la superficie ancha de la parte trasera (oculta) hacia abajo sobre la base giratoria con el BORDE DE CONTACTO CON LA PARED apoyado contra la guía lateral en la sierra.
- La pieza terminada que se va a utilizar siempre deberá estar del lado DERECHO del disco una vez realizado el corte.

Ajustes del ángulo de inglete y de bisel

De la pared al ángulo de la moldura corona: 52°/38°



1	2	3
60	43.0	46.8
61	42.8	46.3
62	42.5	45.7
63	42.2	45.1
64	41.9	44.6
65	41.7	44.0
66	41.4	43.5
67	41.1	42.9
68	40.8	42.4
69	40.5	41.9
70	40.2	41.3
71	39.9	40.8
72	39.6	40.3
73	39.3	39.8
74	39.0	39.2
75	38.7	38.7
76	38.4	38.2
77	38.1	37.7
78	37.8	37.2
79	37.4	36.8
80	37.1	36.3
81	36.8	35.8
82	36.5	35.3
83	36.2	34.8
84	35.8	34.4
85	35.5	33.9
86	35.2	33.4
87	34.9	33.0
88	34.5	32.5
89	34.2	32.1
90	33.9	31.6
91	33.5	31.2
92	33.2	30.7
93	32.8	30.3
94	32.5	29.9
95	32.2	29.4
96	31.8	29.0
97	31.5	28.6
98	31.1	28.2
99	30.8	27.7
100	30.4	27.3

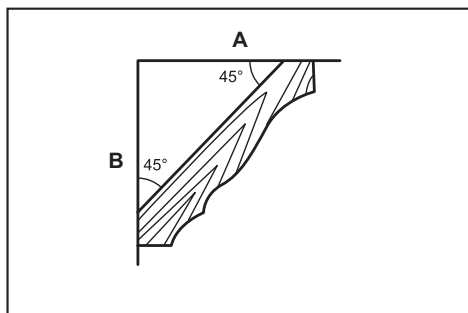
1	2	3
101	30.1	26.9
102	29.7	26.5
103	29.4	26.1
104	29.0	25.7
105	28.7	25.3
106	28.3	24.9
107	28.0	24.5
108	27.6	24.1
109	27.2	23.7
110	26.9	23.3
111	26.5	22.9
112	26.1	22.6
113	25.8	22.2
114	25.4	21.8
115	25.0	21.4
116	24.7	21.0
117	24.3	20.7
118	23.9	20.3
119	23.6	19.9
120	23.2	19.6
121	22.8	19.2
122	22.5	18.8
123	22.1	18.5
124	21.7	18.1
125	21.3	17.8
126	21.0	17.4
127	20.6	17.1
128	20.2	16.7
129	19.8	16.4
130	19.5	16.0
131	19.1	15.7
132	18.7	15.3
133	18.3	15.0
134	17.9	14.6
135	17.6	14.3
136	17.2	14.0
137	16.8	13.6
138	16.4	13.3
139	16.0	13.0
140	15.6	12.8

1	2	3
141	15.3	12.3
142	14.9	12.0
143	14.5	11.6
144	14.1	11.3
145	13.7	11.0
146	13.3	10.7
147	12.9	10.3
148	12.5	10.0
149	12.2	9.7
150	11.8	9.4
151	11.4	9.0
152	11.0	8.7
153	10.8	8.4
154	10.2	8.1
155	9.8	7.8
156	9.4	7.5
157	9.0	7.1
158	8.6	6.8
159	8.3	6.5
160	7.9	6.2
161	7.5	5.9
162	7.1	5.6
163	6.7	5.3
164	6.3	4.9
165	5.9	4.6
166	5.5	4.3
167	5.1	4.0
168	4.7	3.7
169	4.3	3.4
170	3.9	3.1
171	3.5	2.8
172	3.2	2.5
173	2.8	2.2
174	2.4	1.8
175	2.0	1.5
176	1.6	1.2
177	1.2	0.9
178	0.8	0.6
179	0.4	0.3
180	0.0	0.0

A Lado del techo B Lado de la pared

1. Ángulo de la pared (grados) 2. Ángulo de bisel (grados) 3. Ángulo de inglete (grados)

De la pared al ángulo de la moldura corona: 45°



	1	2	3
60	37.8	50.8	
61	37.5	50.2	
62	37.3	49.6	
63	37.1	49.1	
64	36.8	48.5	
65	36.6	48.0	
66	36.4	47.4	
67	36.1	46.9	
68	35.9	46.4	
69	35.6	45.8	
70	35.4	45.3	
71	35.1	44.8	
72	34.9	44.2	
73	34.6	43.7	
74	34.4	43.2	
75	34.1	42.7	
76	33.9	42.1	
77	33.6	41.6	
78	33.3	41.1	
79	33.1	40.6	
80	32.8	40.1	
81	32.5	39.6	
82	32.3	39.1	
83	32.0	38.6	
84	31.7	38.1	
85	31.4	37.7	
86	31.1	37.2	
87	30.9	36.7	
88	30.6	36.2	
89	30.3	35.7	
90	30.0	35.3	
91	29.7	34.8	
92	29.4	34.3	
93	29.1	33.9	
94	28.8	33.4	
95	28.5	32.9	
96	28.2	32.5	
97	27.9	32.0	
98	27.6	31.6	
99	27.3	31.1	
100	27.0	30.7	

	1	2	3
101	26.7	30.2	
102	26.4	29.8	
103	26.1	29.4	
104	25.8	28.9	
105	25.5	28.5	
106	25.2	28.1	
107	24.9	27.6	
108	24.6	27.2	
109	24.2	26.8	
110	23.9	26.3	
111	23.6	25.9	
112	23.3	25.5	
113	23.0	25.1	
114	22.7	24.7	
115	22.3	24.3	
116	22.0	23.8	
117	21.7	23.4	
118	21.4	23.0	
119	21.0	22.6	
120	20.7	22.2	
121	20.4	21.8	
122	20.0	21.4	
123	19.7	21.0	
124	19.4	20.6	
125	19.1	20.2	
126	18.7	19.8	
127	18.4	19.4	
128	18.1	19.0	
129	17.7	18.6	
130	17.4	18.2	
131	17.1	17.9	
132	16.7	17.5	
133	16.4	17.1	
134	16.0	16.7	
135	15.7	16.3	
136	15.4	15.9	
137	15.0	15.6	
138	14.7	15.2	
139	14.3	14.8	
140	14.0	14.4	

	1	2	3
141	13.7	14.1	
142	13.3	13.7	
143	13.0	13.3	
144	12.6	12.9	
145	12.3	12.6	
146	11.9	12.2	
147	11.6	11.8	
148	11.2	11.5	
149	10.9	11.1	
150	10.5	10.7	
151	10.2	10.4	
152	9.8	10.0	
153	9.5	9.6	
154	9.2	9.3	
155	8.8	8.9	
156	8.5	8.5	
157	8.1	8.2	
158	7.8	7.8	
159	7.4	7.5	
160	7.1	7.1	
161	6.7	6.7	
162	6.4	6.4	
163	6.0	6.0	
164	5.6	5.7	
165	5.3	5.3	
166	4.9	5.0	
167	4.6	4.6	
168	4.2	4.3	
169	3.9	3.9	
170	3.5	3.5	
171	3.2	3.2	
172	2.8	2.8	
173	2.5	2.5	
174	2.1	2.1	
175	1.8	1.8	
176	1.4	1.4	
177	1.1	1.1	
178	0.7	0.7	
179	0.4	0.4	
180	0.0	0.0	

A Lado del techo B Lado de la pared

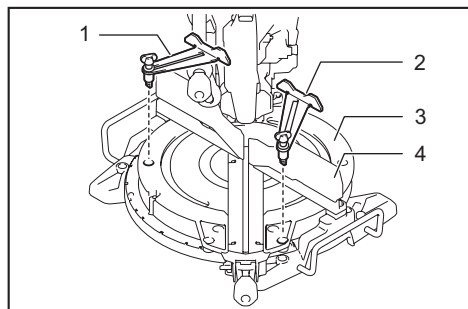
1. Ángulo de la pared (grados) 2. Ángulo de bisel (grados) 3. Ángulo de inglete (grados)

Tope para moldura de corona

Accesorio opcional

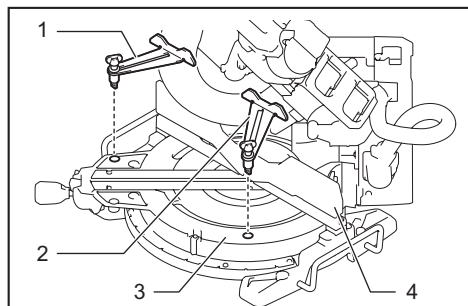
Los topes para moldura de corona permiten cortar más fácilmente una moldura de corona sin tener que inclinar el disco de la sierra. Instálelos en la base giratoria tal como se muestra en las ilustraciones.

A un ángulo de inglete de 45° derecho



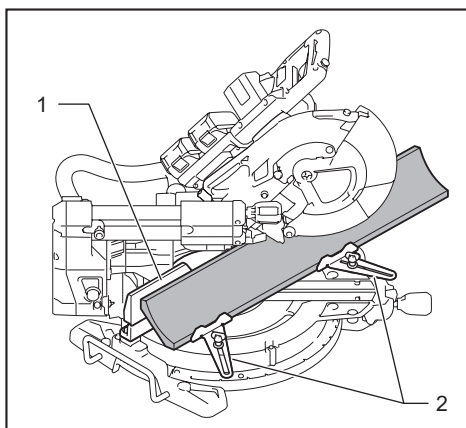
- 1. Tope para moldura de corona I 2. Tope para moldura de corona D 3. Base giratoria 4. Guía lateral

A un ángulo de inglete de 45° izquierdo

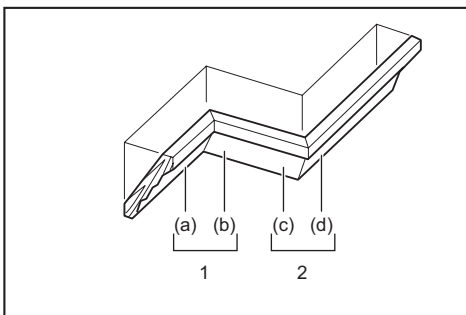


- 1. Tope para moldura de corona I 2. Tope para moldura de corona D 3. Base giratoria 4. Guía lateral

Coloque la moldura de corona con el BORDE DE CONTACTO CON LA PARED apoyado contra la guía lateral y el BORDE DE CONTACTO CON EL TECHO apoyado contra los topes para moldura de corona tal como se muestra en la ilustración. Ajuste los topes para moldura de corona según el tamaño de la moldura de corona. Apriete los tornillos para asegurar los topes para moldura de corona. Consulte la tabla (C) para ver el ángulo de inglete.



- 1. Guía lateral 2. Tope para moldura de corona

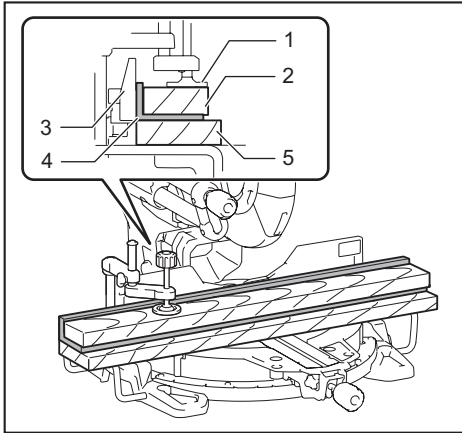


1. Rincón interno 2. Rincón externo

Tabla (C)

-	Posición de la moldura en la figura	Ángulo de inglete	Pieza terminada
Para rincón interno	(a)	Derecha 45°	Se conserva el lado derecho del disco
	(b)	Izquierda 45°	Se conserva el lado izquierdo del disco
Para rincón externo	(c)		Se conserva el lado derecho del disco
	(d)	Derecha 45°	Se conserva el lado izquierdo del disco

Corte de extrusión de aluminio



- 1. Prensa 2. Bloque espaciador 3. Guía lateral
4. Extrusión de aluminio 5. Bloque espaciador

Cuando asegure extrusiones de aluminio, utilice bloques espaciadores o piezas de desecho tal como se muestra en la figura para evitar la deformación del aluminio. Utilice un lubricante de corte cuando corte la extrusión de aluminio para evitar la acumulación de material de aluminio en el disco.

⚠ ADVERTENCIA: Nunca intente cortar extrusiones de aluminio gruesas o redondas. Las extrusiones de aluminio gruesas o redondas pueden ser difíciles de asegurar y la pieza de trabajo podría soltarse durante la operación de corte ocasionando la pérdida de control y lesiones personales graves.

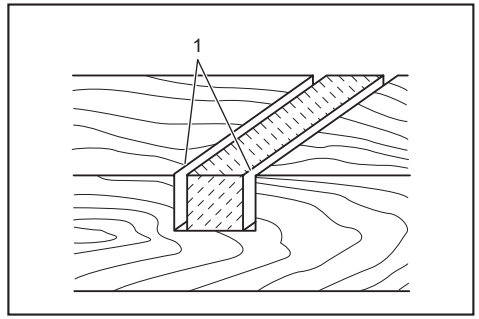
Corte de ranuras

⚠ ADVERTENCIA: No intente realizar este tipo de corte al usar un tipo de disco más ancho o discos para corte de ranuras. Intentar realizar un corte de ranura con un disco más ancho o con discos para cortes tipo ranura podría ocasionar resultados inesperados en el corte, así como retrocesos bruscos que resulten en lesiones personales graves.

⚠ ADVERTENCIA: Asegúrese de regresar el brazo de retención a la posición original al realizar un tipo de corte que no sea de ranura. Intentar realizar un corte con el brazo de retención en la posición incorrecta podría ocasionar resultados inesperados en el corte, así como retrocesos bruscos que resulten en lesiones personales graves.

Para realizar un corte de ranuras, haga lo siguiente:

1. Ajuste el límite inferior del disco con el tornillo de ajuste y el brazo de retención para restringir la profundidad de corte del disco. Consulte la sección "Brazo de retención" descrita anteriormente.
2. Tras ajustar la posición del límite inferior del disco, haga dos cortes paralelos a todo lo largo del ancho de la pieza de trabajo usando un corte por deslizamiento (empujando).



- 1. Corte de ranura con disco

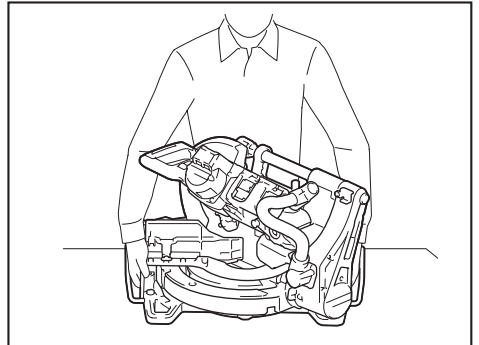
3. Retire el material de la pieza de trabajo que haya quedado en las ranuras con un cincel.

Transporte de la herramienta

Antes de transportar la sierra de inglete, asegúrese de retirar las baterías y que todas las piezas móviles estén aseguradas. Verifique siempre lo siguiente:

- Que las baterías hayan sido retiradas.
- Que el carro esté posicionado en un ángulo de bisel de 0° y asegurado.
- Que el carro se haya bajado y bloqueado.
- Que el carro se haya deslizado por completo hacia la guía lateral y bloqueado.
- Que la base giratoria esté posicionada totalmente en el ángulo de inglete derecho y asegurada.
- Que los soportes estén guardados y asegurados.

Transporte la herramienta sosteniendo ambos lados de su base tal como se muestra en la ilustración.



⚠ ADVERTENCIA: La clavija de retención para la elevación del carro debe usarse únicamente para fines de transporte y almacenamiento y no para ninguna operación de corte. El uso de la clavija de retención para operaciones de corte puede causar un movimiento inesperado del disco de la sierra resultando en retrocesos bruscos y lesiones personales graves.

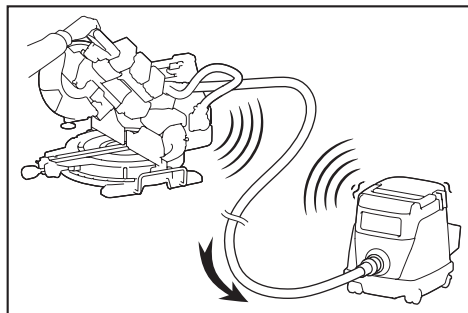
⚠PRECAUCIÓN: Asegúrese siempre de que todas las partes móviles se encuentran fijas antes de transportar la herramienta. Durante el transporte de la herramienta, el desplazamiento o deslizamiento de alguna de sus partes podría provocar la pérdida de control o equilibrio ocasionando lesiones personales.

FUNCIÓN DE ACTIVACIÓN INALÁMBRICA

Para el modelo XSL04 únicamente

Lo que puede hacer con la función de activación inalámbrica

La función de activación inalámbrica permite una operación limpia y cómoda. Si conecta a la herramienta una aspiradora compatible, podrá hacer que ésta funcione automáticamente al activar el interruptor de la herramienta.



Para hacer uso de la función de activación inalámbrica, tenga preparado lo siguiente:

- Una unidad inalámbrica
- Una aspiradora compatible con la función de activación inalámbrica

A continuación se presenta la descripción general del ajuste de la función de activación inalámbrica. Consulte cada sección para ver los procedimientos a detalle.

1. Instalación de la unidad inalámbrica
2. Registro de la herramienta para la aspiradora
3. Inicio de la función de activación inalámbrica

Instalación de la unidad inalámbrica

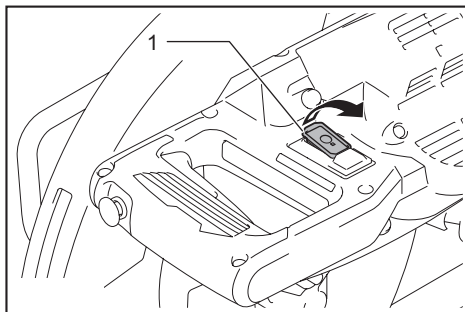
⚠PRECAUCIÓN: Coloque la herramienta sobre una superficie plana y estable cuando vaya a instalar la unidad inalámbrica.

AVISO: Limpie el polvo y la suciedad en la herramienta antes de instalar la unidad inalámbrica. El polvo o la suciedad podrían causar una avería si llegan a introducirse en la ranura de la unidad inalámbrica.

AVISO: Para evitar una avería a causa de la electricidad estática, toque un material de descarga de electricidad estática, tal como una pieza metálica de la herramienta antes de levantar la unidad inalámbrica.

AVISO: Cuando vaya a instalar la unidad inalámbrica, asegúrese siempre de que ésta sea insertada en la dirección correcta y que la tapa esté completamente cerrada.

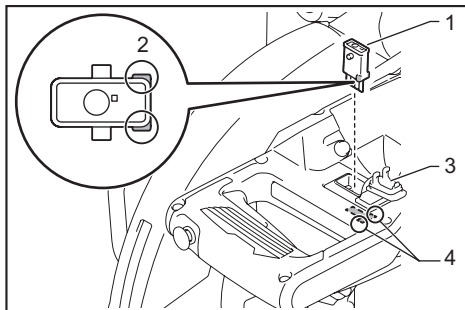
1. Abra la tapa en la herramienta tal como se muestra en la ilustración.



- 1. Tapa

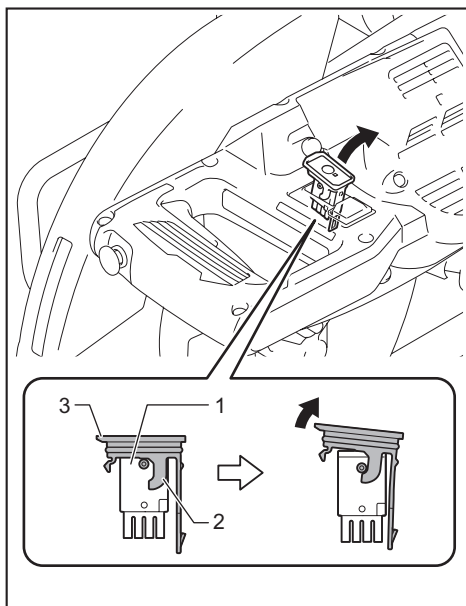
2. Inserte la unidad inalámbrica en la ranura y luego cierre la tapa.

Cuando inserte la unidad inalámbrica, alinee las partes salientes con las partes cóncavas en la ranura.



- 1. Unidad inalámbrica 2. Parte saliente 3. Tapa
4. Parte cóncava

Cuando extraiga la unidad inalámbrica, abra la tapa lentamente. Los ganchos en la parte posterior de la tapa levantarán la unidad inalámbrica mientras usted jala hacia arriba la tapa.



► 1. Unidad inalámbrica 2. Gancho 3. Tapa

Una vez extraída la unidad inalámbrica, guárdela en el estuche suministrado o en un contenedor libre de electricidad estática.

AVISO: Use siempre los ganchos en la parte posterior de la tapa cuando extraiga la unidad inalámbrica. Si los ganchos no sujetan la unidad inalámbrica, cierre la tapa por completo y vuelva a abrirla lentamente.

Registro de la herramienta para la aspiradora

NOTA: Para el registro de la herramienta, se requiere una aspiradora Makita compatible con la función de activación inalámbrica.

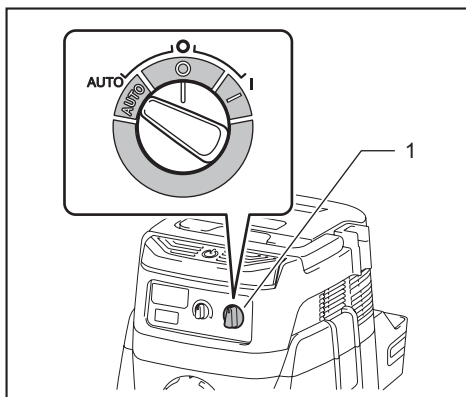
NOTA: Termine de instalar la unidad inalámbrica en la herramienta antes de comenzar con el registro de la herramienta.

NOTA: Durante el registro de la herramienta, no jale el gatillo interruptor ni active el interruptor de encendido en la aspiradora.

NOTA: Consulte también el manual de instrucciones de la aspiradora.

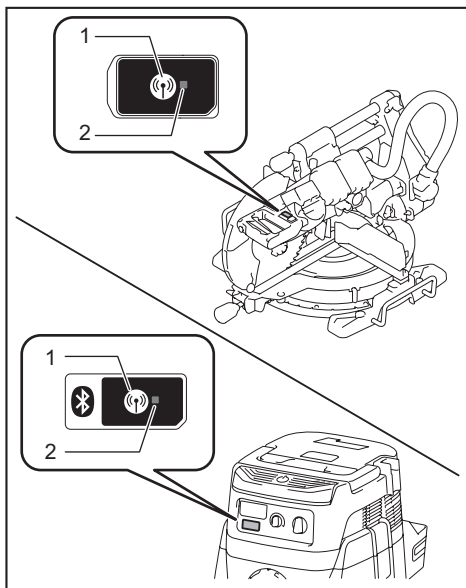
Si desea activar la aspiradora junto con el interruptor de la herramienta, termine antes con el registro de la herramienta.

1. Instale las baterías en la aspiradora y en la herramienta.
2. Ajuste el interruptor de modo en espera en la aspiradora en "AUTO".



► 1. Interruptor de modo en espera

3. Oprima el botón de activación inalámbrica en la aspiradora durante 3 segundos hasta que la luz indicadora de activación inalámbrica parpadee en verde. Y luego oprima el botón de activación inalámbrica en la herramienta de la misma manera.



► 1. Botón de activación inalámbrica 2. Luz indicadora de activación inalámbrica

Si la aspiradora y la herramienta han sido conectadas exitosamente, las luces indicadoras de activación inalámbrica se encenderán en verde durante 2 segundos y comenzarán a parpadear en azul.

NOTA: Las luces indicadoras de activación inalámbrica terminarán parpadeando en verde después de un lapso de 20 segundos. Oprima el botón de activación inalámbrica en la herramienta mientras la luz indicadora de activación inalámbrica en la aspiradora esté parpadeando. Si la luz indicadora de activación inalámbrica no parpadea en verde, oprima el botón de activación inalámbrica durante un lapso breve y vuelva a mantenerlo oprimido.

NOTA: Cuando realice dos o más registros de la herramienta para una aspiradora, termine el registro de la herramienta de uno en uno.

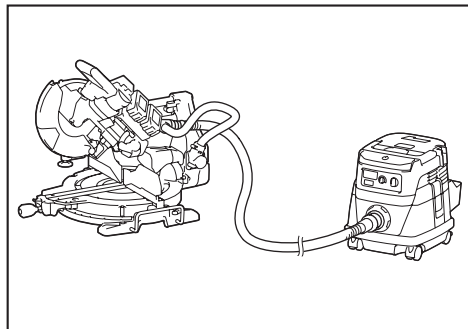
Inicio de la función de activación inalámbrica

NOTA: Termine con el registro de la herramienta para la aspiradora antes de la activación inalámbrica.

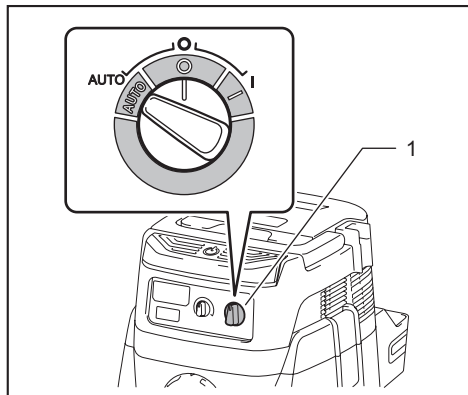
NOTA: Consulte también el manual de instrucciones de la aspiradora.

Después de registrar una herramienta en la aspiradora, esta última se activará automáticamente junto con el interruptor de la herramienta.

1. Instale la unidad inalámbrica en la herramienta.
2. Conecte la manguera de la aspiradora a la herramienta.

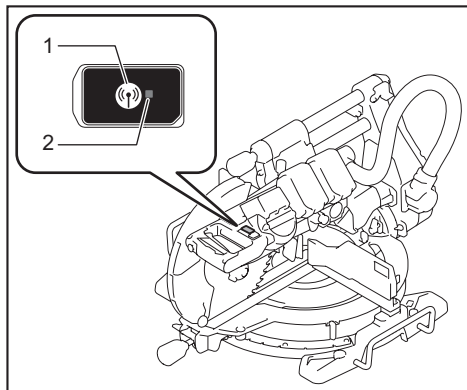


3. Ajuste el interruptor de modo en espera en la aspiradora en "AUTO".



1. Interruptor de modo en espera

4. Oprima el botón de activación inalámbrica en la herramienta durante un lapso breve. La luz indicadora de activación inalámbrica parpadeará en azul.



1. Botón de activación inalámbrica 2. Luz indicadora de activación inalámbrica

5. Jale el gatillo interruptor de la herramienta. Verifique que la aspiradora funcione mientras jala el gatillo interruptor.

Para detener la activación inalámbrica de la aspiradora, oprima el botón de activación inalámbrica en la herramienta.

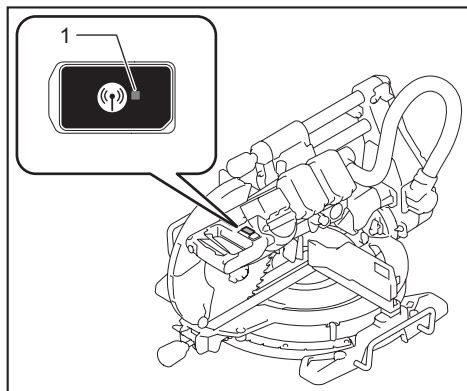
NOTA: La luz indicadora de activación inalámbrica en la herramienta dejará de parpadear en azul cuando no haya operación durante 2 horas. En este caso, ajuste el interruptor de modo en espera en la aspiradora en "AUTO" y oprima el botón de activación inalámbrica en la herramienta nuevamente.

NOTA: La aspiradora funcionará/detendrá con un retraso. Existirá un desfase cuando la aspiradora detecte la activación del interruptor de la herramienta.

NOTA: La distancia de transmisión de la unidad inalámbrica podrá variar en función del lugar y las circunstancias de los alrededores.

NOTA: Cuando dos o más herramientas estén registradas en una aspiradora, esta última podrá comenzar a funcionar incluso si usted no jala el gatillo interruptor debido a que otro usuario está utilizando la función de activación inalámbrica.

Descripción del estado de la luz indicadora de activación inalámbrica



► 1. Luz indicadora de activación inalámbrica

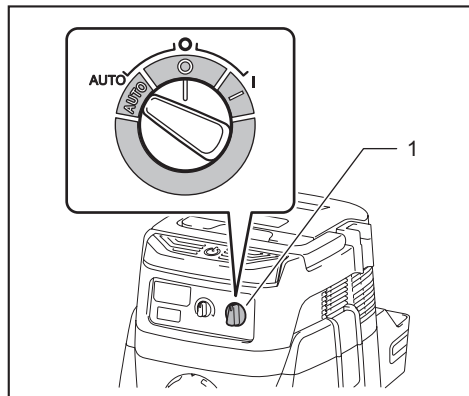
La luz indicadora de activación inalámbrica muestra el estado de la función de activación inalámbrica. Consulte la tabla a continuación para ver qué significa el estado de la luz indicadora.

Estado	Luz indicadora de activación inalámbrica			Duración	Descripción
	Color	■ Encendida	▣ Parpadeando		
En espera	Azul		▣	2 horas	La activación inalámbrica de la aspiradora está disponible. La luz se apagará automáticamente cuando no se realice ninguna operación durante 2 horas.
		■			Cuando la herramienta está funcionando.
Registro de la herramienta	Verde		▣	20 segundos	Ya se puede realizar el registro de la herramienta. Esperando el registro por parte de la aspiradora.
		■		2 segundos	El registro de la herramienta ha terminado. La luz indicadora de activación inalámbrica comenzará a parpadear en azul.
Cancelación del registro de la herramienta	Rojo		▣	20 segundos	Ya se puede cancelar el registro de la herramienta. Esperando la cancelación por parte de la aspiradora.
		■		2 segundos	La cancelación del registro de la herramienta ha terminado. La luz indicadora de activación inalámbrica comenzará a parpadear en azul.
Otros	Rojo	■		3 segundos	La energía es suministrada a la unidad inalámbrica y la función de activación inalámbrica está arrancando.
	Apagada	-		-	La activación inalámbrica de la aspiradora se ha detenido.

Cancelación del registro de la herramienta para la aspiradora

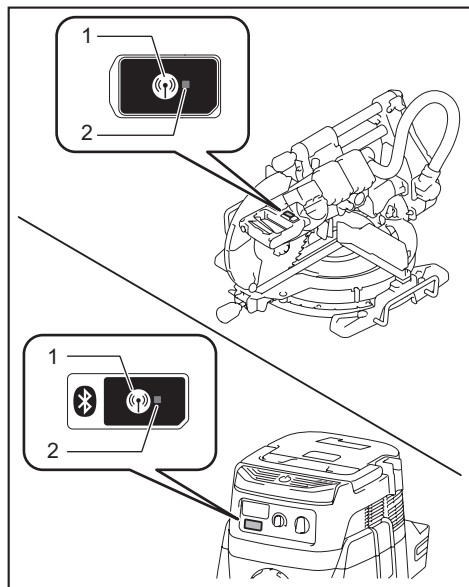
Realice el siguiente procedimiento para cancelar el registro de la herramienta para la aspiradora.

1. Instale las baterías en la aspiradora y en la herramienta.
2. Ajuste el interruptor de modo en espera en la aspiradora en "AUTO".



- 1. Interruptor de modo en espera

3. Oprima el botón de activación inalámbrica en la aspiradora durante 6 segundos. La luz indicadora de activación inalámbrica parpadeará en verde y luego se pondrá en rojo. Después de eso, oprima el botón de activación inalámbrica en la herramienta de la misma manera.



- 1. Botón de activación inalámbrica 2. Luz indicadora de activación inalámbrica

Si la cancelación se realiza exitosamente, las luces indicadoras de activación inalámbrica se encenderán en rojo durante 2 segundos y comenzarán a parpadear en azul.

NOTA: Las luces indicadoras de activación inalámbrica terminarán parpadear en rojo después de un lapso de 20 segundos. Oprima el botón de activación inalámbrica en la herramienta mientras la luz indicadora de activación inalámbrica en la aspiradora esté parpadearando. Si la luz indicadora de activación inalámbrica no parpadea en rojo, oprima el botón de activación inalámbrica durante un lapso breve y vuelva a mantenerlo oprimido.

DetECCIÓN Y SOLUCIÓN DE PROBLEMAS PARA LA FUNCIÓN DE ACTIVACIÓN INALÁMBRICA

Antes de solicitar alguna reparación, primero realice una inspección por su cuenta. Si detecta algún problema que no esté explicado en el manual, no intente desensamblar la herramienta. En vez de esto, solicite la reparación a un centro de servicio autorizado de Makita, usando siempre piezas de repuesto Makita.

Estado de la anomalía	Causa probable (avería)	Remedio
La luz indicadora de activación inalámbrica no enciende/parpadea.	La unidad inalámbrica no está instalada en la herramienta. La unidad inalámbrica está instalada incorrectamente en la herramienta.	Instale la unidad inalámbrica correctamente.
	La terminal de la unidad inalámbrica y/o la ranura está sucia.	Retire con cuidado el polvo y la suciedad en la terminal de la unidad inalámbrica y limpie la ranura.
	El botón de activación inalámbrica en la herramienta no se ha oprimido.	Oprima el botón de activación inalámbrica en la herramienta durante un lapso breve.
	El interruptor de modo en espera en la aspiradora no está ajustado en "AUTO".	Ajuste el interruptor de modo en espera en la aspiradora en "AUTO".
	No hay suministro de energía.	Suministre energía a la herramienta y a la aspiradora.
No se puede terminar/cancelar el registro de la herramienta exitosamente.	La unidad inalámbrica no está instalada en la herramienta. La unidad inalámbrica está instalada incorrectamente en la herramienta.	Instale la unidad inalámbrica correctamente.
	La terminal de la unidad inalámbrica y/o la ranura está sucia.	Retire con cuidado el polvo y la suciedad en la terminal de la unidad inalámbrica y limpie la ranura.
	El interruptor de modo en espera en la aspiradora no está ajustado en "AUTO".	Ajuste el interruptor de modo en espera en la aspiradora en "AUTO".
	No hay suministro de energía.	Suministre energía a la herramienta y a la aspiradora.
	Operación incorrecta	Oprima el botón de activación inalámbrica durante un lapso breve y realice los procedimientos de registro/cancelación de la herramienta nuevamente.
	La herramienta y la aspiradora están lejos una de la otra (fuera del rango de transmisión).	Acerque más la herramienta a la aspiradora. La distancia máxima de transmisión es de aproximadamente 10 m, pero puede variar en función de las circunstancias.
	Antes de terminar el registro/cancelación de la herramienta; - el gatillo interruptor en la herramienta se ha jalado; o - el botón de encendido en la aspiradora está activado.	Oprima el botón de activación inalámbrica durante un lapso breve y realice los procedimientos de registro/cancelación de la herramienta nuevamente.
	Los procedimientos de registro para la herramienta o aspiradora no se han terminado.	Realice los procedimientos de registro tanto para la herramienta como para la aspiradora al mismo tiempo.
La perturbación radioeléctrica generada por otros aparatos que emiten ondas de radio de alta intensidad.	Mantenga la herramienta y la aspiradora lejos de aparatos tales como dispositivos Wi-Fi y hornos de microondas.	

Estado de la anomalía	Causa probable (avería)	Remedio
La aspiradora no funciona junto con el interruptor de la herramienta.	La unidad inalámbrica no está instalada en la herramienta. La unidad inalámbrica está instalada incorrectamente en la herramienta.	Instale la unidad inalámbrica correctamente.
	La terminal de la unidad inalámbrica y/o la ranura está sucia.	Retire con cuidado el polvo y la suciedad en la terminal de la unidad inalámbrica y limpie la ranura.
	El botón de activación inalámbrica en la herramienta no se ha oprimido.	Oprima el botón de activación inalámbrica durante un lapso breve y asegúrese de que la luz indicadora de activación inalámbrica esté parpadeando en azul.
	El interruptor de modo en espera en la aspiradora no está ajustado en "AUTO".	Ajuste el interruptor de modo en espera en la aspiradora en "AUTO".
	Más de 10 herramientas están registradas en la aspiradora.	Vuelva a realizar el registro de la herramienta. Si más de 10 herramientas están registradas en la aspiradora, la herramienta registrada al principio se cancelará automáticamente.
	La aspiradora borró todos los registros de la herramienta.	Vuelva a realizar el registro de la herramienta.
	No hay suministro de energía.	Suministre energía a la herramienta y a la aspiradora.
	La herramienta y la aspiradora están lejos una de la otra (fuera del rango de transmisión).	Acerque más la herramienta a la aspiradora. La distancia máxima de transmisión es de aproximadamente 10 m, pero puede variar en función de las circunstancias.
	La perturbación radioeléctrica generada por otros aparatos que emiten ondas de radio de alta intensidad.	Mantenga la herramienta y la aspiradora lejos de aparatos tales como dispositivos Wi-Fi y hornos de microondas.
La aspiradora funciona aun cuando el gatillo interruptor de la herramienta no ha sido jalado.	Otros usuarios están usando la activación inalámbrica de la aspiradora con sus herramientas.	Apague el botón de activación inalámbrica de las demás herramientas o cancele el registro de dichas herramientas.

MANTENIMIENTO

⚠ ADVERTENCIA: Asegúrese siempre de que la herramienta esté apagada y que las baterías hayan sido retiradas antes de intentar realizar una inspección o tarea de mantenimiento. El no retirar las baterías y apagar la herramienta podría ocasionar un arranque accidental de la herramienta y provocar lesiones personales graves.

⚠ ADVERTENCIA: Asegúrese de que el disco esté afilado y limpio para una operación óptima y segura. Intentar realizar cortes con un disco no afilado y/o sucio puede causar retrocesos bruscos y resultar en lesiones personales graves.

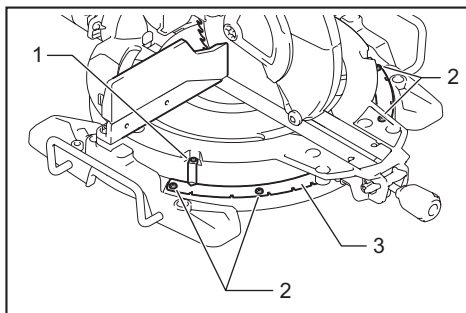
AVISO: Nunca use gasolina, bencina, diluyente (tiner), alcohol o sustancias similares. Puede que esto ocasione grietas o descoloramiento.

Ajuste del ángulo de corte

Esta herramienta ya viene cuidadosamente ajustada y alineada de fábrica, pero una manipulación descuidada podría afectar la alineación. Si su herramienta no está adecuadamente alineada, haga lo siguiente:

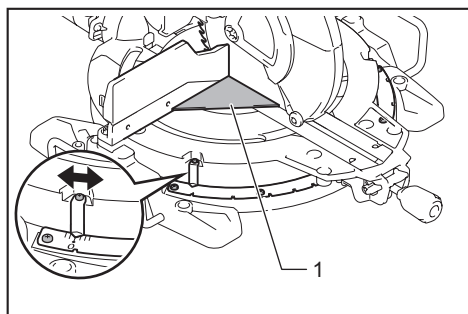
Ángulo de inglete

Baje la empuñadura por completo y bloquéela en la posición hacia abajo usando la clavija de retención. Empuje el carro hacia la guía lateral. Afloje la perilla y los tornillos que fijan el marcador y la escala del ángulo de inglete.



- 1. Tornillo en el marcador 2. Tornillos en la escala del ángulo de inglete 3. Escala del ángulo de inglete

Ajuste la base giratoria en la posición de 0° usando la función de tope de seguridad. Cuadre el lado del disco con la cara de la guía lateral usando una regla triangular o escuadra. Mientras los mantiene cuadrados, apriete los tornillos en la escala del ángulo de inglete. Después, alinee los marcadores (tanto el derecho como el izquierdo) con la posición de 0° en la escala del ángulo de inglete y luego apriete el tornillo en el marcador.

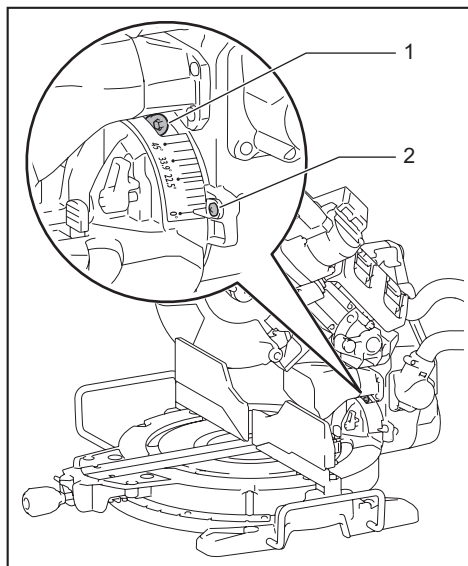


► 1. Regla triangular

Ángulo de bisel

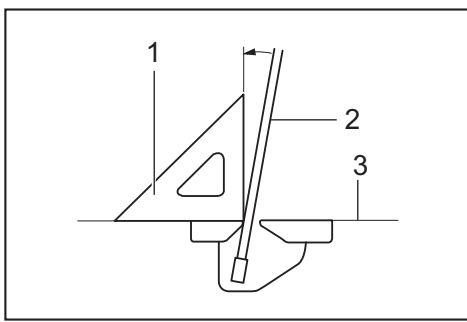
Ángulo de bisel de 0°

Empuje el carro hacia la guía lateral y bloquee el movimiento de deslizamiento usando la clavija de retención. Baje la empuñadura por completo y bloquéela en la posición hacia abajo usando la clavija de retención y luego afloje el pomo. Gire el perno de ajuste a 0° dos o tres revoluciones en sentido inverso al de las manecillas del reloj para inclinar el disco hacia la derecha.



► 1. Perno de ajuste a 0° 2. Tornillo

Cuadre cuidadosamente el lado del disco con la parte superior de la base giratoria usando una regla triangular, escuadra, etc., y girando el perno de ajuste a 0° en el sentido de las manecillas del reloj. Luego apriete el pomo firmemente para asegurar el ángulo de 0° previamente ajustado.



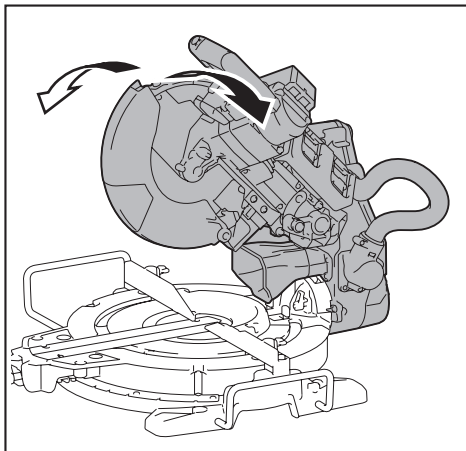
► 1. Regla triangular 2. Disco de la sierra 3. Parte superior de la base giratoria

Verifique nuevamente que el lado del disco cuadre con la parte superior de la base giratoria. Afloje el tornillo en el marcador. Alinee el marcador con la posición de 0° en la escala del ángulo de bisel y luego apriete el tornillo.

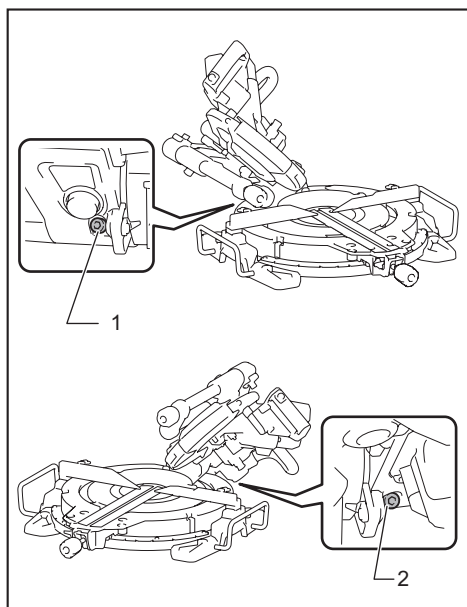
Ángulo de bisel de 45°

AVISO: Antes de ajustar el ángulo de bisel de 45°, termine de ajustar el ángulo de bisel de 0°.

Afloje el pomo e incline el carro completamente hacia el lado que desee verificar. Compruebe que el marcador indique la posición de 45° en la escala del ángulo de bisel.



De no ser así, alinéelo con la posición de 45° girando el perno de ajuste en el lado opuesto de la escala del ángulo de bisel.



- 1. Perno de ajuste a 45° a la izquierda 2. Perno de ajuste a 45° a la derecha

Ajuste de la posición de la línea de láser

Para el modelo XSL04 XSL06

⚠ADVERTENCIA: Las baterías deben ser instaladas mientras se ajusta la línea de láser. Tenga sumo cuidado de no encender la herramienta durante el ajuste. El encendido accidental de la herramienta puede resultar en lesiones personales graves.

⚠PRECAUCIÓN: Nunca dirija la mirada directamente al rayo láser. La exposición directa de los ojos al rayo podría causar daños serios a su vista.

AVISO: Verifique regularmente la posición de la línea de láser para una mayor precisión.

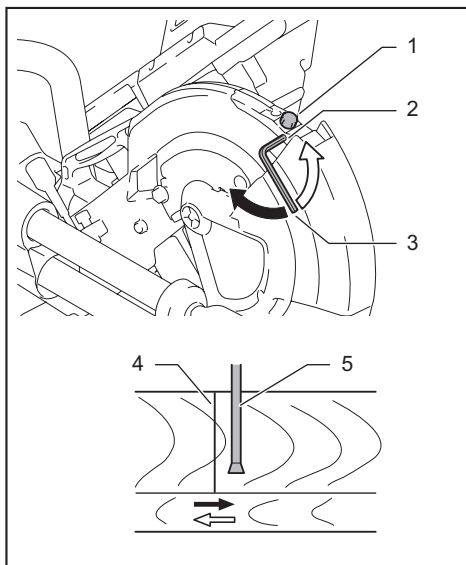
AVISO: Tenga cuidado de los impactos en la herramienta. Esto podría causar que la línea de láser se desalineara o provocar daños al láser acortando su vida útil.

AVISO: Lleve la herramienta a reparar a un centro de servicio autorizado de Makita en caso de haber alguna falla en la unidad láser.

El rango móvil de la línea de láser se determina mediante los tornillos de ajuste de rango a ambos lados. Realice los procedimientos de seguimiento para modificar la posición de la línea de láser.

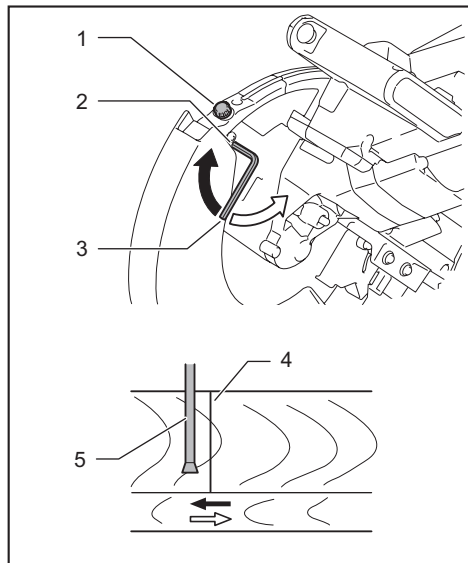
1. Retire las baterías.
2. Trace una línea de corte en la pieza de trabajo y colóquela en la base giratoria. En este momento, no asegure la pieza de trabajo con una prensa o dispositivo similar.
3. Baje la empuñadura y alinee la línea de corte con el disco de la sierra.
4. Regrese la empuñadura a la posición original y asegure la pieza de trabajo con la prensa vertical de manera que la pieza de trabajo no se desplace de la posición previamente determinada.
5. Instale las baterías y encienda el interruptor para el láser.
6. Afloje el tornillo de ajuste. Para dirigir la línea de láser lejos del disco, gire los tornillos de ajuste de rango en sentido inverso al de las manecillas del reloj. Para dirigir la línea de láser cerca del disco, gire el tornillo de ajuste de rango en el sentido de las manecillas del reloj.

Ajuste de la línea de láser del lado izquierdo del disco



- 1. Tornillo de ajuste 2. Tornillo de ajuste de rango 3. Llave hexagonal 4. Línea de láser 5. Disco de la sierra

Ajuste de la línea de láser del lado derecho del disco



- 1. Tornillo de ajuste 2. Tornillo de ajuste de rango
3. Llave hexagonal 4. Línea de láser 5. Disco de la sierra

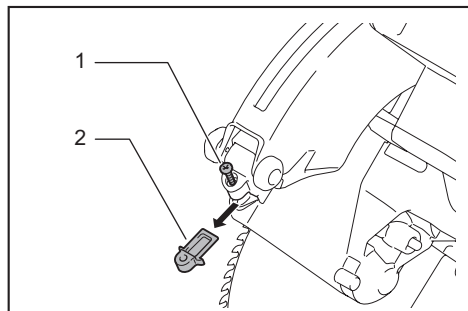
7. Deslice el tornillo de ajuste a la posición en la que la línea de láser se dirija a la línea de corte y luego apriételo.

NOTA: El rango móvil de la línea de láser está ajustado de fábrica dentro de 1 mm (0,04") desde la superficie lateral del disco.

Limpeza del lente de luz láser

Para el modelo XSL04 XSL06

La luz láser es difícil de visualizar si el lente para la luz láser se llega a ensuciar. Limpie el lente para la luz láser periódicamente.



- 1. Tornillo 2. Lente

Retire las baterías. Afloje el tornillo y saque el lente. Limpie el lente con cuidado usando un paño suave húmedo.

AVISO: No retire el tornillo que fija el lente. Si el lente no sale, afloje el tornillo todavía más.

AVISO: No utilice disolventes ni limpiadores a base de petróleo en el lente.

Luego del uso

Luego de utilizar la herramienta, limpie los restos de astillas y polvo con un paño o similar. Mantenga el protector del disco limpio de acuerdo con las instrucciones proporcionadas en la sección "Protector del disco". Lubrique las partes deslizantes con aceite para máquinas a fin de evitar que se oxiden.

Para mantener la SEGURIDAD y FIABILIDAD del producto, las reparaciones, y cualquier otra tarea de mantenimiento o ajuste deberán ser realizadas en centros de servicio autorizados o de fábrica Makita, empleando siempre repuestos Makita.

ACCESORIOS OPCIONALES

⚠ADVERTENCIA: Estos accesorios o aditamentos Makita están recomendados para utilizarse con su herramienta Makita que se especifica en este manual. El uso de cualquier otro accesorio o aditamento puede ocasionar lesiones personales graves.

⚠ADVERTENCIA: Use los accesorios o aditamentos Makita solamente para su propósito designado. El uso inapropiado de un accesorio o aditamento puede causar lesiones personales graves.

Si necesita cualquier ayuda para más detalles en relación con estos accesorios, pregunte a su centro de servicio local Makita.

- Discos de la sierra de acero y puntas de carburo
- Prensa vertical
- Prensa horizontal
- Conjunto de topes para moldura de corona
- Bolsa recolectora de polvo
- Regla triangular
- Llave hexagonal
- Llave hexagonal (para el ajuste del láser)
- Unidad inalámbrica (para el modelo XSL04)
- Batería y cargador originales de Makita

NOTA: Algunos de los artículos en la lista pueden incluirse en el paquete de la herramienta como accesorios estándar. Estos pueden variar de país a país.

GARANTÍA LIMITADA DE UN AÑO DE MAKITA

Ésta Garantía no aplica para México Política de garantía

Cada herramienta Makita es inspeccionada y probada exhaustivamente antes de salir de la fábrica. Se garantiza que está libre de defectos de mano de obra y materiales por el período de UN AÑO a partir de la fecha original de compra. Si durante este período de un año se desarrollara algún problema, devuelva la herramienta COMPLETA, con el envío prepagado, a un centro de servicio autorizado o de fábrica Makita. Si la inspección muestra que el problema ha sido a causa de un defecto de mano de obra o material, Makita hará la reparación (o a su discreción, el reemplazo) sin ningún cargo. Esta garantía no aplica cuando:

- las reparaciones se hayan hecho o intentado hacer por otros;
- se requieran reparaciones debido al desgaste normal;
- la herramienta haya sido maltratada, recibido un mal uso o haya recibido un mantenimiento inapropiado;
- se hayan hecho modificaciones a la herramienta.

EN NINGÚN CASO MAKITA SE HARÁ RESPONSABLE DE NINGÚN DAÑO INDIRECTO, INCIDENTAL, O DERIVADO DE LA VENTA O USO DEL PRODUCTO. ESTE DESCARGO DE RESPONSABILIDAD APLICA DURANTE Y DESPUÉS DEL PLAZO DE ESTA GARANTÍA. MAKITA RENUNCIA A LA RESPONSABILIDAD POR CUALQUIER GARANTÍA IMPLÍCITA, INCLUYENDO GARANTÍAS DE "COMERCIABILIDAD" Y "ADECUACIÓN PARA UN PROPÓSITO ESPECÍFICO", DESPUÉS DEL PLAZO DE UN AÑO DE ESTA GARANTÍA.

Esta garantía le concede derechos legales específicos y usted podrá tener también otros derechos que varían de un estado a otro. Algunos estados no permiten la exclusión o limitación de daños incidentales o consecuentes, por lo que la limitación o exclusión arriba mencionada podría no aplicar para usted. Algunos estados no permiten la limitación sobre la duración de una garantía implícita, por lo que la limitación arriba mencionada podría no aplicar para usted.

< USA only >

WARNING

Some dust created by power sanding, sawing, grinding, drilling, and other construction activities contains chemicals known to the State of California to cause cancer, birth defects or other reproductive harm. Some examples of these chemicals are:

- lead from lead-based paints,
- crystalline silica from bricks and cement and other masonry products, and
- arsenic and chromium from chemically-treated lumber.

Your risk from these exposures varies, depending on how often you do this type of work. To reduce your exposure to these chemicals: work in a well ventilated area, and work with approved safety equipment, such as those dust masks that are specially designed to filter out microscopic particles.

< Sólo en los Estados Unidos >

ADVERTENCIA

Algunos polvos creados por el lijado, aserrado, esmerilado, taladrado y otras actividades de la construcción contienen sustancias químicas reconocidas por el Estado de California como causantes de cáncer, defectos de nacimiento y otros peligros de reproducción. Algunos ejemplos de estos productos químicos son:

- plomo de pinturas a base de plomo,
- sílice cristalino de ladrillos y cemento y otros productos de albañilería, y
- arsénico y cromo de maderas tratadas químicamente.

El riesgo al que se expone varía, dependiendo de la frecuencia con la que realice este tipo de trabajo. Para reducir la exposición a estos productos químicos: trabaje en un área bien ventilada y póngase el equipo de seguridad indicado, tal como las máscaras contra polvo que están especialmente diseñadas para filtrar partículas microscópicas.

Makita Corporation

3-11-8, Sumiyoshi-cho,
Anjo, Aichi 446-8502 Japan

www.makita.com

885613-943
XSL03-1
EN, ESMX
20170523