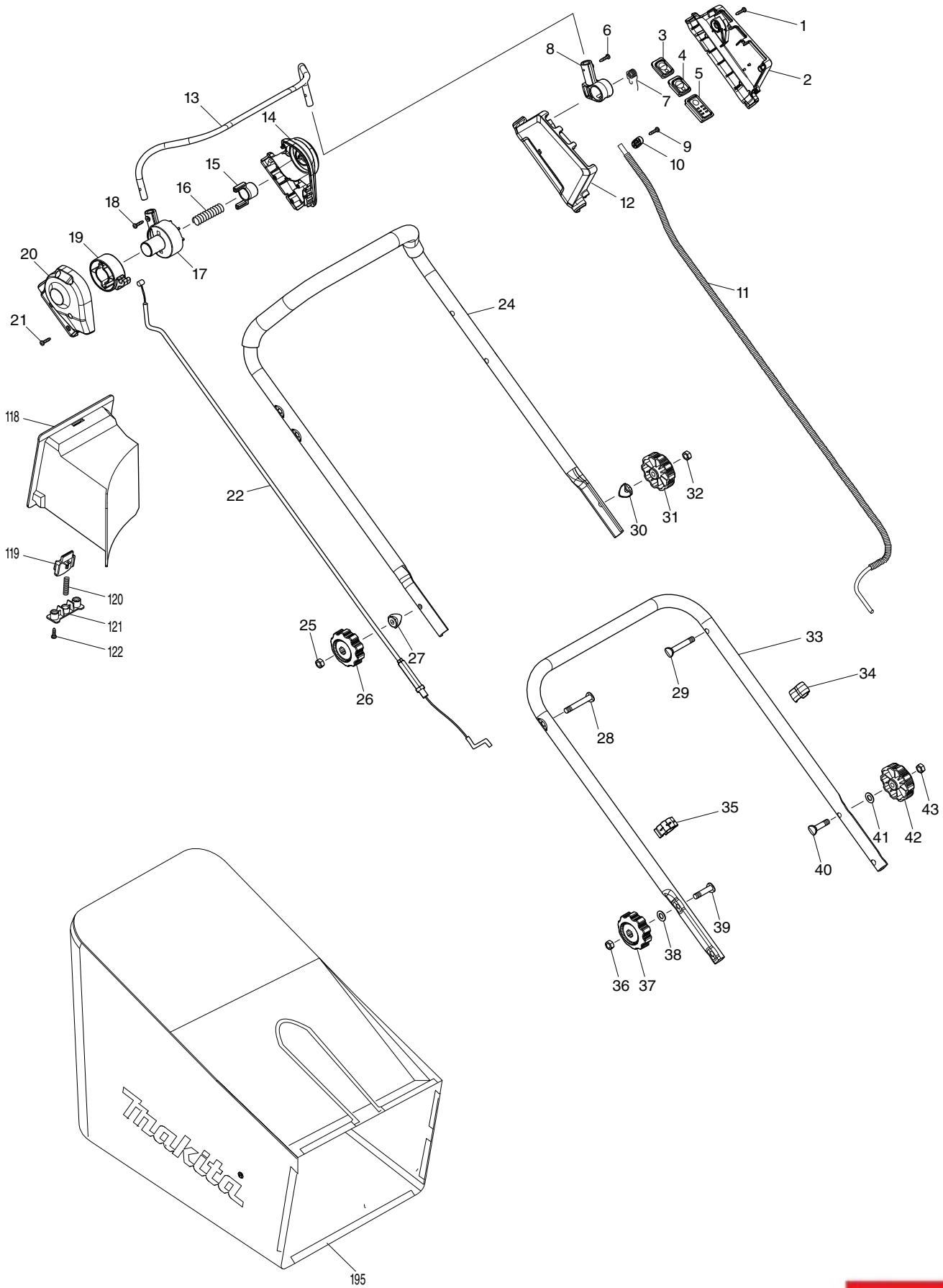




XML03

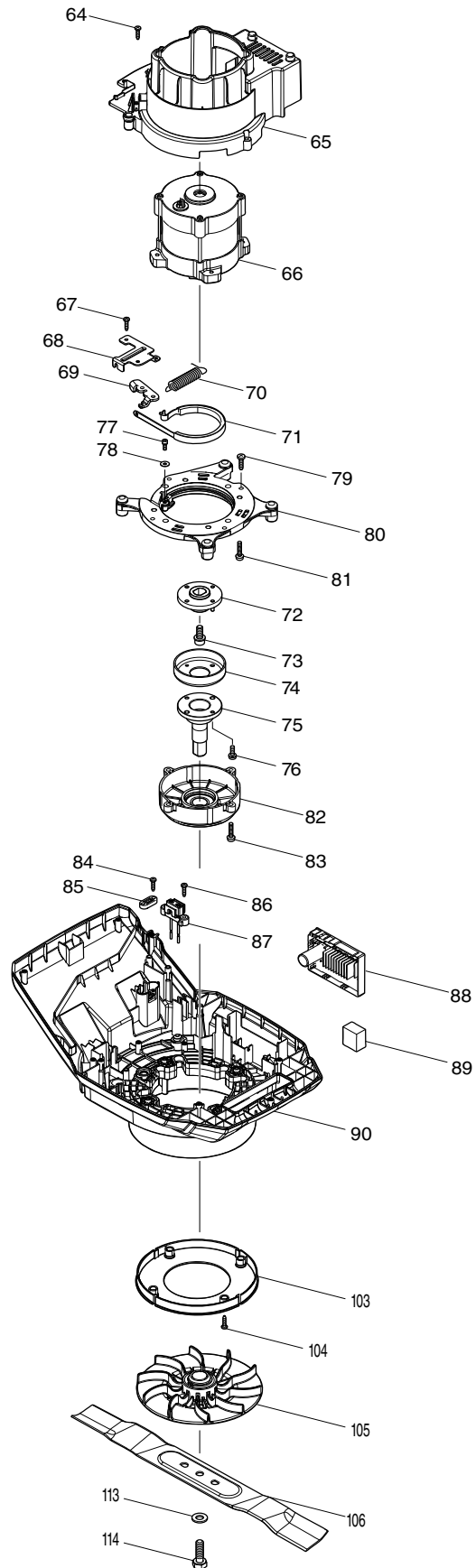
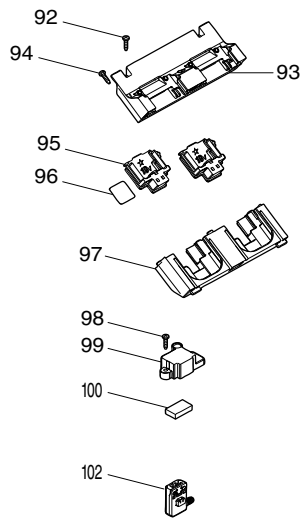
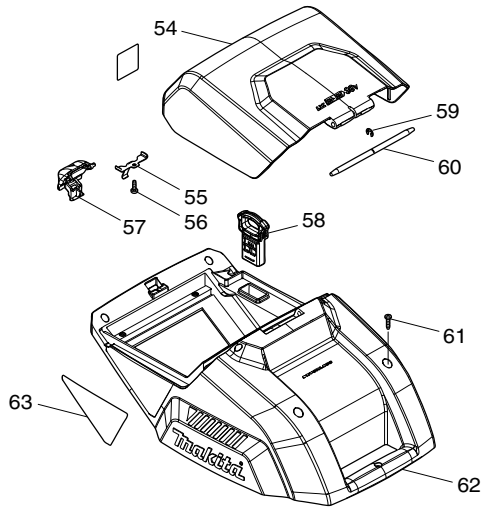


Products with multiple versions are listed in subsiding order with the newest version on top not indented.

Section	Fig. No.	Part No.	Description	XML03	Tech Bulletin	Notes
1	1	266326-2	TAPPING SCREW 4X18	4		
1	2	183K45-0	SWITCH BOX SET	1		INC. 12
1	3	140F09-7	SWITCH CIRCUIT COMPLETE (MAIN POWER)	1		
1	4	140F10-2	SWITCH CIRCUIT COMPLETE (MODE)	1		
1	5	140F08-9	LED CIRCUIT COMPLETE	1		
1	6	266324-6	TAPPING SCREW 4X22	1		
1	7	232470-7	TORSION SPRING 12	1		
1	8	458803-0	LEVER SUPPORT	1		
1	9	266326-2	TAPPING SCREW 4X18	2		
1	10	687124-5	STRAIN RELIEF	1		
1	11	699127-7	POWER SUPPLY CORD UNIT	1		
1	12	183K45-0	SWITCH BOX SET	1		INC. 2
1	13	327208-4	SWITCH LEVER	1		
1	14	183K56-5	LEVER BOX SET	1		INC. 20
1	15	458807-2	LOCK OFF BUTTON	1		
1	16	231227-3	COMPRESSION SPRING 15	1		
1	17	458805-6	DRIVING SLEEVE A	1		
1	18	266324-6	TAPPING SCREW 4X22	1		
1	19	458806-4	DRIVING SLEEVE B	1		
1	20	183K56-5	LEVER BOX SET	1		INC. 14
1	21	266326-2	TAPPING SCREW 4X18	4		
1	22	162563-5	CONTROL CABLE	1		
1	24	DA00001283	HANDLE UPPER	1		
1	25	DA00000563	HEXAGON NUT M8	1		
1	26	DA00000564	KNOB	1		
1	27	DA00000924	PLASTIC SADDLE WASHER 8	1		
1	28	DA00000569	SADDLE HEAD BOLT M8X58	1		
1	29	DA00000569	SADDLE HEAD BOLT M8X58	1		
1	30	DA00000924	PLASTIC SADDLE WASHER 8	1		
1	31	DA00000564	KNOB	1		
1	32	DA00000563	HEXAGON NUT M8	1		
1	33	DA00001284	HANDLE LOWER	1		
1	34	458810-3	CABLE CLAMP	1		
1	35	DA00001285	WIRE CLAMP	1		

Products with multiple versions are listed in subsiding order with the newest version on top not indented.

Section	Fig. No.	Part No.	Description	XML03	Tech Bulletin	Notes
1	36	DA00000563	HEXAGON NUT M8	1		
1	37	DA00000564	KNOB	1		
1	38	DA00001286	FLAT WASHER 8	1		
1	39	DA00000880	SADDLE HEAD BOLT M8X35	1		
1	40	DA00000880	SADDLE HEAD BOLT M8X35	1		
1	41	DA00001286	FLAT WASHER 8	1		
1	42	DA00000564	KNOB	1		
1	43	DA00000563	HEXAGON NUT M8	1		
1	118	671-660-001	MULCHING PLUG BOX	1		
1	119	671-316-004	LOCKING BUTTON	1		
1	120	671-011-005	COMPRESSION SPRING	1		
1	121	671-317-001	PRESSING BOARD OF LOCKING	1		
1	122	DA00000603	TAPPING SCREW ST4X16	2		
1	195	127199-7	GRASS CATCHER ASSEMBLY	1		

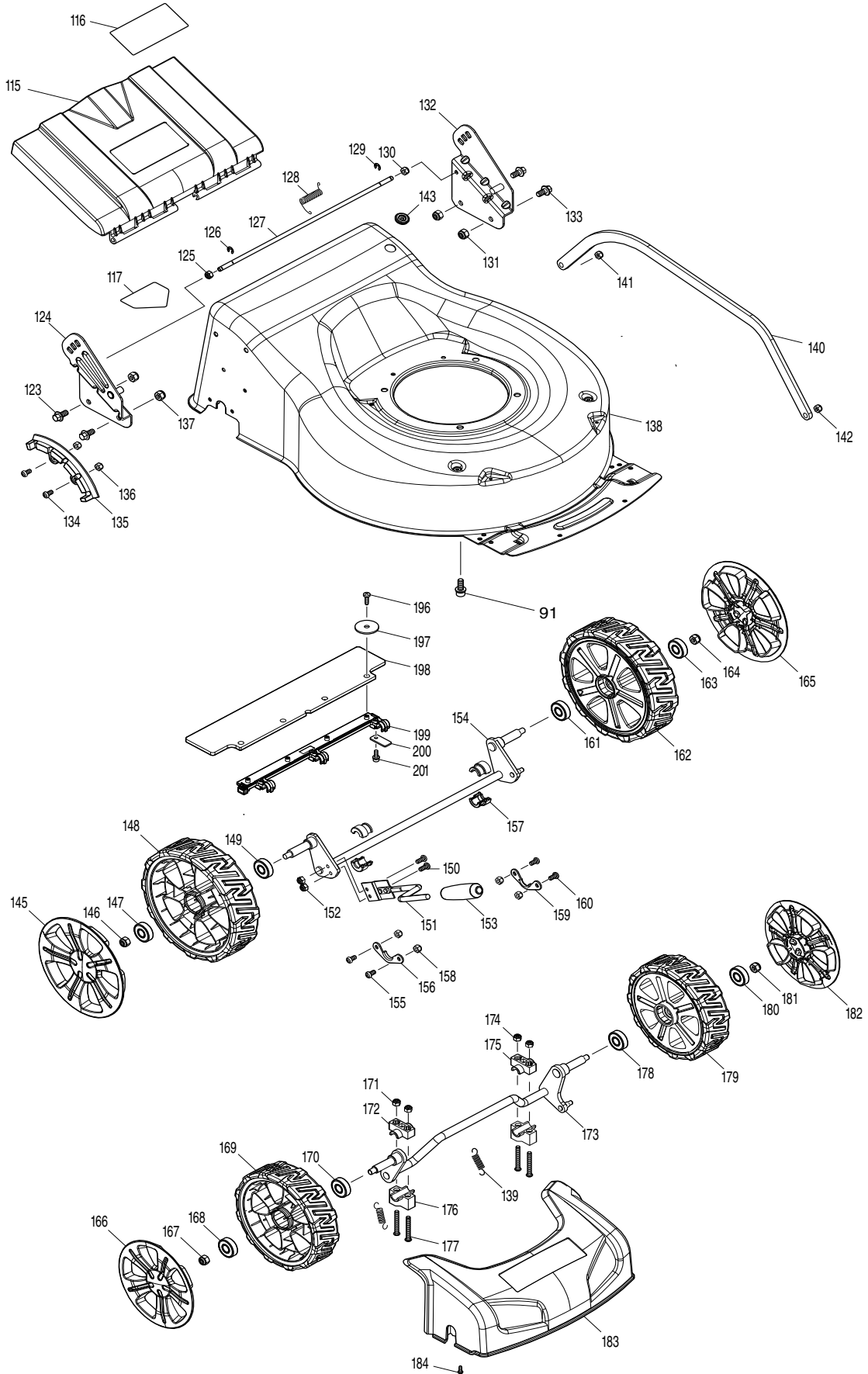


Products with multiple versions are listed in subsiding order with the newest version on top not indented.

Section	Fig. No.	Part No.	Description	XML03	Tech Bulletin	Notes
2	54	140G45-9	BATTERY COVER COMPLETE	1		
2	55	232471-5	LEAF SPRING	1		
2	56	266326-2	TAPPING SCREW 4X18	1		
2	57	458809-8	LOCK LEVER	1		
2	58	643535-4	KEY	1		
2	59	961018-5	STOP RING E-5	1		
2	60	327209-2	ROD 6	1		
2	61	266326-2	TAPPING SCREW 4X18	7		
2	62	458798-7	COWLING UPPER	1		
2	63	854V19-1	XML03 NAME PLATE	1		
2	64	266326-2	TAPPING SCREW 4X18	4		
2	65	140F01-3	MOTOR COVER COMPLETE	1		
2	66	629374-6	DC MOTOR	1		
2	67	266326-2	TAPPING SCREW 4X18	2		
2	68	347456-9	LEVER BRACKET	1		
2	69	347455-1	BRAKE LEVER	1		
2	70	232469-2	TENSION SPRING 15	1		
2	71	140K44-5	BRAKE BAND COMPLETE	1		
2	72	140F06-3	DRUM HOLDER COMPLETE	1		
2	73	922438-8	H.S.H.BOLT M8X22 WITH WR	1		
2	74	347506-0	BRAKE DRUM	1		
2	75	327361-6	SPINDLE	1		
2	76	911221-8	PAN HEAD SCREW M5X16	2		
2	77	922116-0	HEX. SOCKET HEAD BOLT M4X12	1		
2	78	253874-0	FLAT WASHER 4	1		
2	79	266420-0	TAPPING SCREW 5X20	4		
2	80	319768-0	MOTOR BRACKET	1		
2	81	911243-8	PAN HEAD SCREW M5X25	4		
2	82	140F51-8	BRAKE COVER COMPLETE	1		
2	83	911243-8	PAN HEAD SCREW M5X25	4		
2	84	266326-2	TAPPING SCREW 4X18	2		
2	85	687124-5	STRAIN RELIEF	1		
2	86	266326-2	TAPPING SCREW 4X18	2		
2	87	632M81-0	LEAD UNIT	1		

Products with multiple versions are listed in subsiding order with the newest version on top not indented.

Section	Fig. No.	Part No.	Description	XML03	Tech Bulletin	Notes
2	88	620939-7	CONTROLLER	1		
2	89	422351-5	SPONGE	2		
2	90	458799-5	COWLING LOWER	1		
2	92	266326-2	TAPPING SCREW 4X18	2		
2	93	183K40-0	TERMINAL HOUSING SET	1		INC. 97
2	94	266326-2	TAPPING SCREW 4X18	3		
2	95	644809-6	TERMINAL	2		
2	96	854V25-6	XML03 SERIAL NO. LABEL	1		
2	97	183K40-0	TERMINAL HOUSING SET	1		INC. 93
2	98	266326-2	TAPPING SCREW 4X18	2		
2	99	458797-9	SWITCH COVER	1		
2	100	422350-7	SPONGE	1		
2	102	651083-9	SWITCH C3XA-1PSPM	1		
2	103	458808-0	BUFFLE PLATE	1		
2	104	266326-2	TAPPING SCREW 4X18	4		
2	105	140F05-5	BLADE SUPPORT COMPLETE	1		
2	106	199367-2	BLADE 460 SET	1		
2	113	941251-5	FLAT WASHER 10	1		
2	114	921556-9	HEX. BOLT M10X35	1		



Products with multiple versions are listed in subsiding order with the newest version on top not indented.

Section	Fig. No.	Part No.	Description	XML03	Tech Bulletin	Notes
3	91	922438-8	H.S.H.BOLT M8X22 WITH WR	4		
3	115	DA00001252	REAR FLAP	1		
3	116	818E34-7	CAUTION LABEL	1		
3	117	890378-7	CAUTION LABEL	1		
3	123	DA00000562	HEX.FLANGE BOLT M8X16	2		
3	124	DA00001248	HANDLE BRACKET R	1		
3	125	DA00000543	HEX.FLANGE LOCK NUT M6	1		
3	126	671-009-017	STOP RING E-6	1		
3	127	671-001-518	REAR FLAP HINGE ROD	1		
3	128	671-011-101	REAR FLAP TORSION SPRING	1		
3	129	671-009-017	STOP RING E-6	1		
3	130	DA00000543	HEX.FLANGE LOCK NUT M6	1		
3	131	DA00000537	HEX.FLANGE LOCK NUT M8	2		
3	132	DA00001249	HANDLE BRACKET L	1		
3	133	DA00000562	HEX.FLANGE BOLT M8X16	2		
3	134	671-002-019	TRUSS HEAD SCREW M6X12	2		
3	135	459361-9	ADJUST PLATE	1		
3	136	DA00000543	HEX.FLANGE LOCK NUT M6	2		
3	137	DA00000537	HEX.FLANGE LOCK NUT M8	2		
3	138	DA00001250	DECK	1		
3	139	671-011-125	HEIGHT ADJUST TENSION SPRING	2		
3	140	DA00001154	LINK ROD	1		
3	141	DA00000549	NYLON INSERT HEX.LOCK NUT M6	1		
3	142	DA00000549	NYLON INSERT HEX.LOCK NUT M6	1		
3	143	671-800-104	GROMMET	1		
3	145	DA00000536	WHEEL COVER 7 INCH	1		
3	146	DA00000537	HEX.FLANGE LOCK NUT M8	1		
3	147	211106-1	BALL BEARING 6201ZZ	1		
3	148	671-020-160	WHEEL ASSY 8 INCH	1		
3	149	211106-1	BALL BEARING 6201ZZ	1		
3	150	671-002-030	PAN. HEAD SCREW M6X14	2		
3	151	DA00001174	HANDLE	1		

Products with multiple versions are listed in subsiding order with the newest version on top not indented.

Section	Fig. No.	Part No.	Description	XML03	Tech Bulletin	Notes
3	152	DA00000549	NYLON INSERT HEX.LOCK NUT M6	2		
3	153	DA00001058	HEIGHT ADJUSTMENT KNOB	1		
3	154	DA00001175	REAR WHEEL AXIS ASSY	1		
3	155	671-002-019	TRUSS HEAD SCREW M6X12	2		
3	156	DA00000542	BEARING CASE RETAINER	1		
3	157	DA00001025	REAR AXLE MOUNT	4		
3	158	DA00000543	HEX.FLANGE LOCK NUT M6	4		
3	159	DA00000542	BEARING CASE RETAINER	1		
3	160	671-002-019	TRUSS HEAD SCREW M6X12	2		
3	161	211106-1	BALL BEARING 6201ZZ	1		
3	162	671-020-160	WHEEL ASSY 8 INCH	1		
3	163	211106-1	BALL BEARING 6201ZZ	1		
3	164	DA00000537	HEX.FLANGE LOCK NUT M8	1		
3	165	DA00000536	WHEEL COVER 7 INCH	1		
3	166	671-001-176	WHEEL COVER 6.5 INCH	1		
3	167	DA00000537	HEX.FLANGE LOCK NUT M8	1		
3	168	211106-1	BALL BEARING 6201ZZ	1		
3	169	671-020-150	WHEEL ASSY 7 INCH	1		
3	170	211106-1	BALL BEARING 6201ZZ	1		
3	171	DA00000549	NYLON INSERT HEX.LOCK NUT M6	2		
3	172	671-445-001	FRONT AXLE RETAINER	1		
3	173	671-001-786	FRONT AXLE	1		
3	174	DA00000549	NYLON INSERT HEX.LOCK NUT M6	2		
3	175	671-445-001	FRONT AXLE RETAINER	1		
3	176	671-418-001	FRONT AXLE MOUNT	2		
3	177	671-002-028	PAN.HED SCREW M6X45	4		
3	178	211106-1	BALL BEARING 6201ZZ	1		
3	179	671-020-150	WHEEL ASSY 7 INCH	1		
3	180	211106-1	BALL BEARING 6201ZZ	1		
3	181	DA00000537	HEX.FLANGE LOCK NUT M8	1		
3	182	671-001-176	WHEEL COVER 6.5 INCH	1		
3	183	DA00001251	FRONT COVER	1		
3	184	DA00000911	TAPPING SCREW ST4.2X10	8		

Products with multiple versions are listed in subsiding order with the newest version on top not indented.

Section	Fig. No.	Part No.	Description	XML03	Tech Bulletin	Notes
3	185	818A75-9	MAKITA LOGO LABEL	1		
3	197	267438-4	FLAT WASHER 5	4		
3	198	422444-8	PROTECTIVE SHIELD	1		
3	199	459111-2	PROTECTIVE SHIELD HOLDER	1		
3	200	346545-7	PLATE	3		
3	201	922118-6	HEX. SOCKET HEAD BOLT M4X12	3		
	A01	782210-8	SOCKET WRENCH 17	1		