



GB Cordless Steel Rod Cutter

Instruction manual

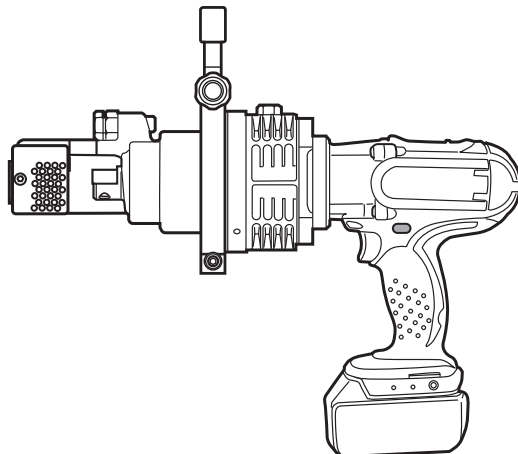
F Coupe Tige Sans-Fil

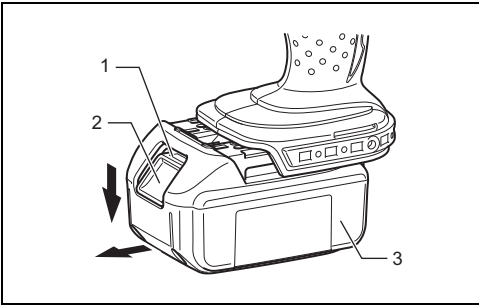
Manuel d'instructions

E Cortadora de Varilla a Batería

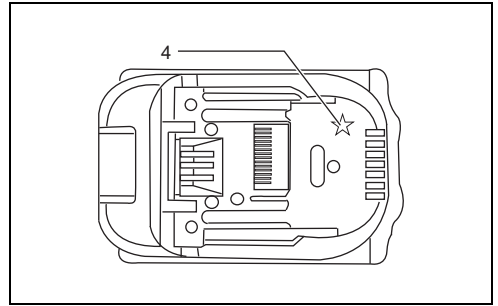
Manual de instrucciones

XCS01

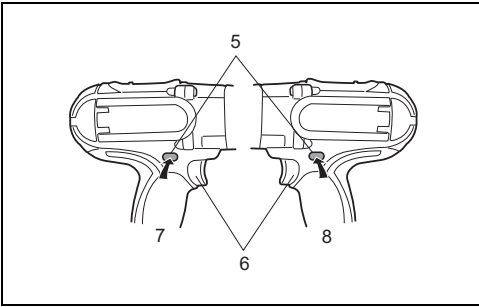




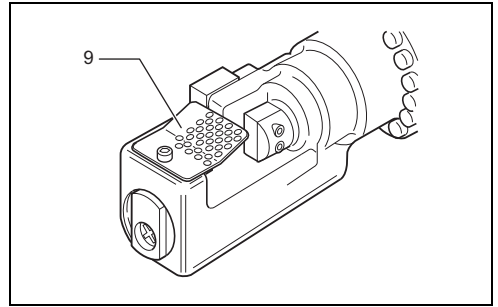
1



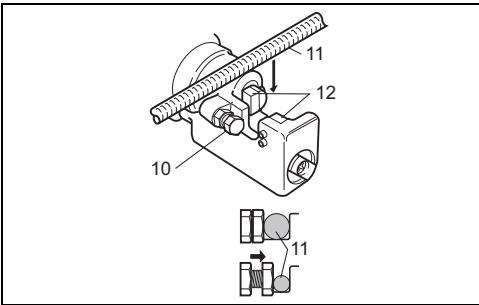
2



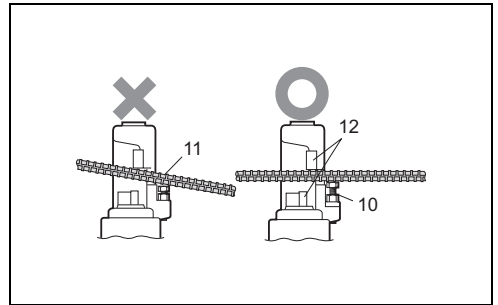
3



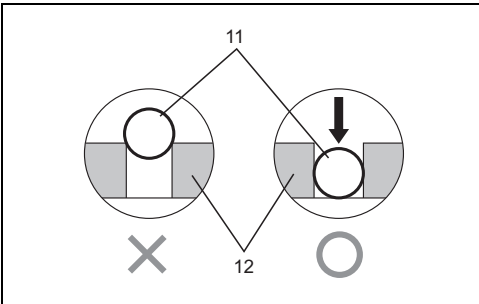
4



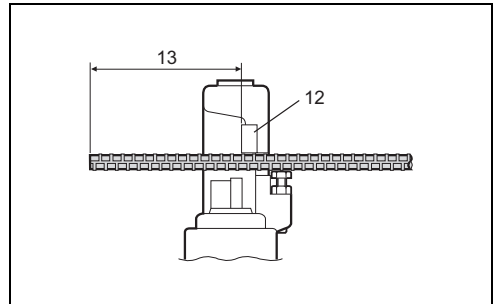
5



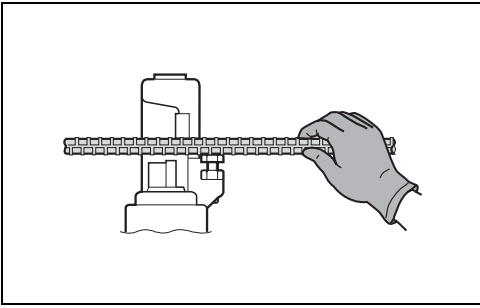
6



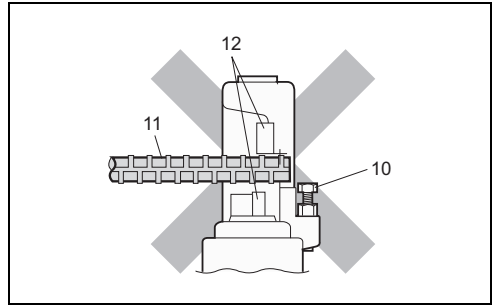
7



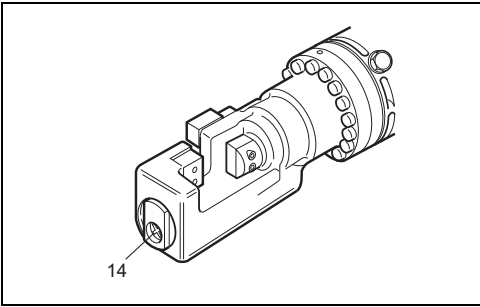
8



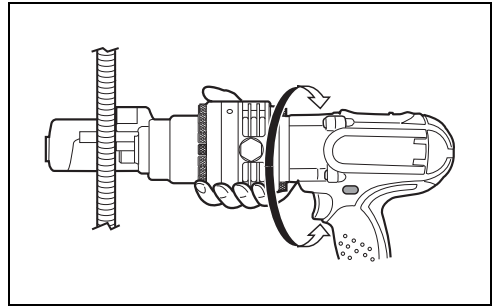
9



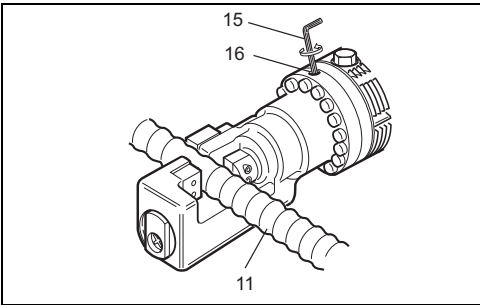
10



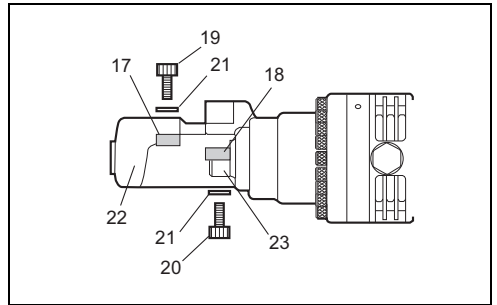
11



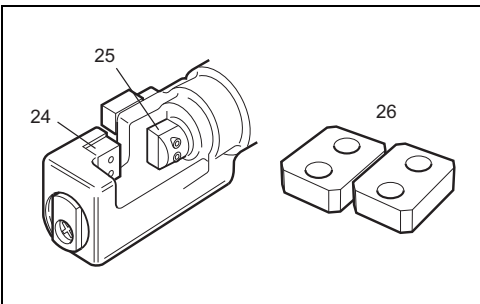
12



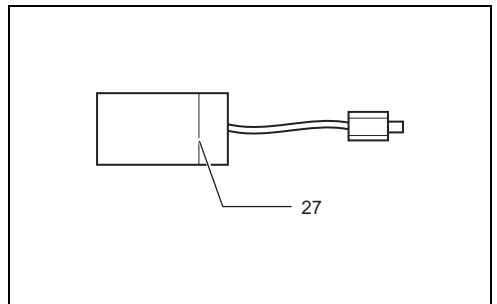
13



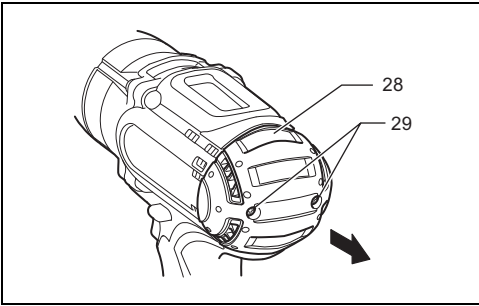
14



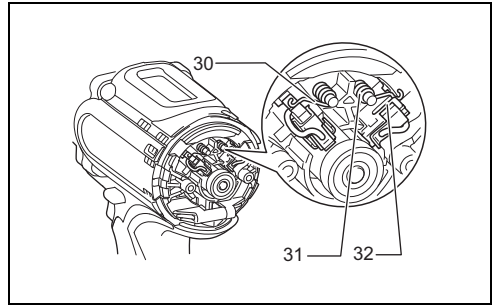
15



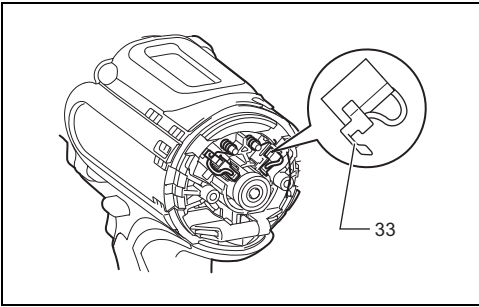
16



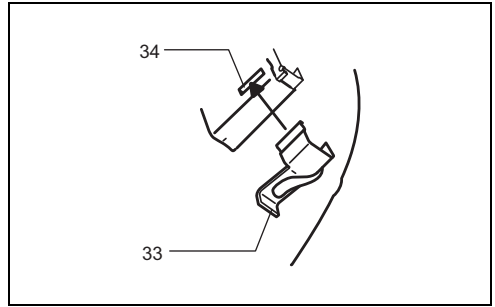
17



18



19



20

ENGLISH (Original instructions)

Explanation of general view

- | | | |
|----------------------|-----------------------------|---------------------------|
| 1. Red indicator | 13. More than 200 mm | 25. Blade B on Cutter Rod |
| 2. Button | 14. Air Hole | 26. Spare Blades |
| 3. Battery cartridge | 15. Hex Wrench | 27. Limit mark |
| 4. Star marking | 16. Return Valve | 28. Rear cover |
| 5. Switch Lock | 17. Blade A (Thicker Blade) | 29. Screws |
| 6. Switch trigger | 18. Blade B (Thicker Blade) | 30. Arm |
| 7. Side A | 19. Bolt (Longer) | 31. Spring |
| 8. Side B | 20. Bolt (Shorter) | 32. Recessed part |
| 9. Protector | 21. Washer | 33. Carbon brush cap |
| 10. Hold Bolt | 22. Bar Holder | 34. Hole |
| 11. Rebar | 23. Cutter Rod | |
| 12. Blades | 24. Blade A on Bar Holder | |

SPECIFICATIONS

Model	XCS01
Max. Cutting Capacity (Dia.mm)	
Grade 40 - Grade 60	
Grade 40: Tensile Strength 490 N / mm ² 70,000 PSI	3/4" (#6)
Grade 60: Tensile Strength 620 N / mm ² 90,000 PSI	
Cutting speed	6.5 seconds
Overall length	412 mm (16-1/5")
Net weight	10.6 kg (23.4 lbs)
Rated voltage	D.C. 18 V

- Due to our continuing program of research and development, the specifications herein are subject to change without notice.
- Specifications and battery cartridge may differ from country to country.
- Weight, with battery cartridge, according to EPTA-Procedure 01/2003

General Power Tool Safety Warnings

⚠ WARNING Read all safety warnings and all instructions. Failure to follow the warnings and instructions may result in electric shock, fire and/or serious injury.

Save all warnings and instructions for future reference.

The term "power tool" in the warnings refers to your mains-operated (corded) power tool or battery-operated (cordless) power tool.

Work area safety

1. **Keep work area clean and well lit.** Cluttered or dark areas invite accidents.
2. **Do not operate power tools in explosive atmospheres, such as in the presence of flammable liquids, gases or dust.** Power tools create sparks which may ignite the dust or fumes.
3. **Keep children and bystanders away while operating a power tool.** Distractions can cause you to lose control.

Electrical safety

4. **Power tool plugs must match the outlet. Never modify the plug in any way. Do not use any adapter plugs with earthed (grounded) power tools.** Unmodified plugs and matching outlets will reduce risk of electric shock.
5. **Avoid body contact with earthed or grounded surfaces such as pipes, radiators, ranges and refrigerators.** There is an increased risk of electric shock if your body is earthed or grounded.
6. **Do not expose power tools to rain or wet conditions.** Water entering a power tool will increase the risk of electric shock.
7. **Do not abuse the cord. Never use the cord for carrying, pulling or unplugging the power tool. Keep cord away from heat, oil, sharp edges or moving parts.** Damaged or entangled cords increase the risk of electric shock.
8. **When operating a power tool outdoors, use an extension cord suitable for outdoor use.** Use of a cord suitable for outdoor use reduces the risk of electric shock.
9. **If operating a power tool in a damp location is unavoidable, use a ground fault circuit interrupter (GFCI) protected supply.** Use of an GFCI reduces the risk of electric shock.

Personal safety

10. **Stay alert, watch what you are doing and use common sense when operating a power tool. Do not use a power tool while you are tired or under the influence of drugs, alcohol or medication.** A moment of inattention while operating power tools may result in serious personal injury.
11. **Use personal protective equipment. Always wear eye protection.** Protective equipment such as dust mask, non-skid safety shoes, hard hat, or hearing protection used for appropriate conditions will reduce personal injuries.
12. **Prevent unintentional starting. Ensure the switch is in the off-position before connecting to power source and/or battery pack, picking up or carrying the tool.** Carrying power tools with your finger on the switch or energising power tools that have the switch on invites accidents.
13. **Remove any adjusting key or wrench before turning the power tool on.** A wrench or a key left attached to a rotating part of the power tool may result in personal injury.
14. **Do not overreach. Keep proper footing and balance at all times.** This enables better control of the power tool in unexpected situations.
15. **Dress properly. Do not wear loose clothing or jewellery. Keep your hair, clothing, and gloves away from moving parts.** Loose clothes, jewellery or long hair can be caught in moving parts.
16. **If devices are provided for the connection of dust extraction and collection facilities, ensure these are connected and properly used.** Use of dust collection can reduce dust-related hazards.

Power tool use and care

17. **Do not force the power tool. Use the correct power tool for your application.** The correct power tool will do the job better and safer at the rate for which it was designed.
18. **Do not use the power tool if the switch does not turn it on and off.** Any power tool that cannot be controlled with the switch is dangerous and must be repaired.
19. **Disconnect the plug from the power source and/or the battery pack from the power tool before making any adjustments, changing accessories, or storing power tools.** Such preventive safety measures reduce the risk of starting the power tool accidentally.
20. **Store idle power tools out of the reach of children and do not allow persons unfamiliar with the power tool or these instructions to operate the power tool.** Power tools are dangerous in the hands of untrained users.
21. **Maintain power tools. Check for misalignment or binding of moving parts, breakage of parts and any other condition that may affect the power tool's operation. If damaged, have the power tool repaired before use.** Many accidents are caused by poorly maintained power tools.
22. **Keep cutting tools sharp and clean.** Properly maintained cutting tools with sharp cutting edges are less likely to bind and are easier to control.
23. **Use the power tool, accessories and tool bits etc. in accordance with these instructions, taking into**

account the working conditions and the work to be performed. Use of the power tool for operations different from those intended could result in a hazardous situation.

Battery tool use and care

24. **Recharge only with the charger specified by the manufacturer.** A charger that is suitable for one type of battery pack may create a risk of fire when used with another battery pack.
25. **Use power tools only with specifically designated battery packs.** Use of any other battery packs may create a risk of injury and fire.
26. **When battery pack is not in use, keep it away from other metal objects, like paper clips, coins, keys, nails, screws or other small metal objects, that can make a connection from one terminal to another.** Shorting the battery terminals together may cause burns or a fire.
27. **Under abusive conditions, liquid may be ejected from the battery; avoid contact. If contact accidentally occurs, flush with water. If liquid contacts eyes, additionally seek medical help.** Liquid ejected from the battery may cause irritation or burns.

Service

28. **Have your power tool serviced by a qualified repair person using only identical replacement parts.** This will ensure that the safety of the power tool is maintained.
29. **Follow instruction for lubricating and changing accessories.**
30. **Keep handles dry, clean and free from oil and grease.**

CORDLESS STEEL ROD CUTTER SAFETY WARNINGS

1. **Hold the tool securely while it is in use.** If the tool is not held securely, you may be injured.
2. **Keep your hands and face away from the moving parts.** They may cause an injury.
3. **Release the Switch trigger immediately to stop operation when the tool is out of order or makes an abnormal sound during use. Have it inspected and repaired by an authorized service center.** Failure to do so may result in damage or injury.
4. **If you drop or strike the tool, check carefully that the body is not damaged, cracked, or deformed.** Any such damage could cause injury.
5. **This tool is an electro-hydraulic tool. The oil reservoir was filled before delivery. Do not add oil unless the tool operates abnormally.**
6. **Metal cutting blades have sharp edges.** Handle them carefully to avoid being cut.
7. **Damaged, deformed or cracked blades may cause serious accidents as well as impair operation.** Replace with new genuine blades immediately.

SAVE THESE INSTRUCTIONS.


WARNING:

DO NOT let comfort or familiarity with product (gained from repeated use) replace strict adherence to safety rules for the subject product. MISUSE or failure to follow the safety rules stated in this instruction manual may cause serious personal injury.

Symbols

The followings show the symbols used for tool.

V volts

 direct current


IMPORTANT SAFETY INSTRUCTIONS

FOR BATTERY CARTRIDGE

1. Before using battery cartridge, read all instructions and cautionary markings on (1) battery charger, (2) battery, and (3) product using battery.
2. Do not disassemble battery cartridge.
3. If operating time has become excessively shorter, stop operating immediately. It may result in a risk of overheating, possible burns and even an explosion.
4. If electrolyte gets into your eyes, rinse them out with clear water and seek medical attention right away. It may result in loss of your eyesight.
5. Do not short the battery cartridge:
 - (1) Do not touch the terminals with any conductive material.
 - (2) Avoid storing battery cartridge in a container with other metal objects such as nails, coins, etc.
 - (3) Do not expose battery cartridge to water or rain.

A battery short can cause a large current flow, overheating, possible burns and even a breakdown.
6. Do not store the tool and battery cartridge in locations where the temperature may reach or exceed 50°C (122°F).
7. Do not incinerate the battery cartridge even if it is severely damaged or is completely worn out. The battery cartridge can explode in a fire.
8. Be careful not to drop or strike battery.
9. Do not use a damaged battery.
10. Follow your local regulations relating to disposal of battery.

SAVE THESE INSTRUCTIONS.

 **CAUTION** Only use genuine Makita lithium-ion batteries. Use of non-genuine Makita batteries, or batteries that have been altered, may result in the battery bursting causing fires, personal injury and damage.

Tips for maintaining maximum battery life

1. Charge the battery cartridge before completely discharged.

Always stop tool operation and charge the battery cartridge when you notice less tool power.
2. Never recharge a fully charged battery cartridge. Overcharging shortens the battery service life.
3. Charge the battery cartridge with room temperature at 10°C - 40°C (50°F - 104°F). Let a hot battery cartridge cool down before charging it.
4. Charge the battery cartridge once in every six months if you do not use it for a long period of time.

FUNCTIONAL DESCRIPTION

CAUTION:

- Always be sure that the tool is switched off and the battery cartridge is removed before adjusting or checking function on the tool.

Installing or removing battery cartridge (Fig. 1)

CAUTION:

- Always switch off the tool before installing or removing of the battery cartridge.
- **Hold the tool and the battery cartridge firmly when installing or removing battery cartridge.** Failure to hold the tool and the battery cartridge firmly may cause them to slip off your hands and result in damage to the tool and battery cartridge and a personal injury.

To remove the battery cartridge, slide it from the tool while sliding the button on the front of the cartridge.

To install the battery cartridge, align the tongue on the battery cartridge with the groove in the housing and slip it into place. Insert it all the way until it locks in place with a little click. If you can see the red indicator on the upper side of the button, it is not locked completely.

CAUTION:

- Always install the battery cartridge fully until the red indicator cannot be seen. If not, it may accidentally fall out of the tool, causing injury to you or someone around you.
- Do not install the battery cartridge forcibly. If the cartridge does not slide in easily, it is not being inserted correctly.

Battery protection system (Lithium-ion battery with star marking) (Fig. 2)

Lithium-ion batteries with a star marking are equipped with a protection system. This system automatically cuts off power to the tool to extend battery life.

The tool will automatically stop during operation if the tool and/or battery are placed under one of the following conditions:

- Overloaded:

The tool is operated in a manner that causes it to draw an abnormally high current.

In this situation, release the switch trigger on the tool and stop the application that caused the tool to become overloaded. Then pull the switch trigger again to restart.

If the tool does not start, the battery is overheated. In this situation, let the battery cool before pulling the switch trigger again.

- **Low battery voltage:**

The remaining battery capacity is too low and the tool will not operate. In this situation, remove and recharge the battery.

Use of non-genuine Makita batteries, or batteries that have been altered, will void the Makita warranty for the Makita tool and charger.

OPERATING PROCEDURE

Read, understand and follow all safety instructions and operating procedures. If you do not understand the instructions, or if conditions are not correct for proper operation, do not operate this tool. Consult your supervisor or other responsible person.

WARNING:

- Before the Battery is inserted into the tool, pull and release the switch trigger to ensure that it returns when released.

The motor is on when the switch trigger is pulled and off when the switch trigger is released.

Switch Lock Operation (Fig. 3)

- Push in the Switch Lock on side A. The Switch is unlocked and the Trigger can be operated.
- Push in the Switch Lock on side B. The Switch is locked and the Trigger cannot be operated.

CAUTION:

- The switch trigger should be locked at all times when not in use.

WARNING:

- Before operation, confirm that the position of the operator, relative to the tool, and the surrounding area is safe for operation. Put on safety glasses and wear protective clothing.
- Refer to the tool specifications in this manual and do not cut rebar of size or hardness that exceeds the cutting capacity of the tool.
- Do not cut material other than rebar. Please ask the manufacturer if you want to cut other materials.

WARNING:

- Replace damaged (chipped, broken, cracked) or deformed blades immediately. The blade will not cut true and may fracture or break causing serious personal injury.

Cutting Procedure

WARNING

- **Never use the tool without the protector in place.** Failure to do so can cause serious personal injury. (Fig. 4)

1. Position the rebar to be cut between the blades. (Fig. 5)

Adjust the Hold Bolt according to the diameter of the rebar to be cut so that the rebar is at 90 degrees to the blades. The Hold Bolt supports the rebar and keeps it perpendicular to the blades when cutting. (Fig. 6)

WARNING

- When cutting rebar, adjust the Hold Bolt according to the diameter of the rebar to be cut so that the rebar is at 90 degrees to the blades. Without this adjustment, the cut piece may fly off and cause serious injury to the operator or bystanders. Never fail to check the position of the operator relative to the tool and confirm the safety of the operator and surrounding area.
2. Position the rebar to be cut so that it is fully between the blades. (Fig. 7)

WARNING

- If the rebar to be cut is not positioned fully between the blades, the blades will be damaged; the rebar will be ejected violently and may cause serious personal injury.

WARNING

- Do not cut rebar when the piece to be cut off is less than 200 mm in length. Cutting shorter length may cause the rebar to fly off during cut and may result in serious personal injury. (Fig. 8)

WARNING

- Do not cut rebar when it is not properly supported by the Hold Bolt. When cutting, hold the rebar on the Hold Bolt side. (Fig. 9) If not, the cut piece may fly off and cause serious injury to the operator or bystanders.
3. Push in the Switch Lock on Side A. The switch is unlocked and the trigger can be operated.
 4. Press the switch trigger to start cutting operation. The Cutter Rod will move forward to cut the rebar. Keep the Switch depressed until the Cutter Rod stops at the end of its stroke.
 5. Release the switch trigger when the cut is completed and the Cutter Rod has reached the end of its stroke. The Cutter Rod will then return automatically to its starting position. The Cutter Rod will not return if the stroke is not completed. Similarly the Cutter Rod will not be able to move forward again until after it returns completely to its starting position. Press the switch to start the next cut, only after the Cutter Rod completely returns to its starting position and stops.

WARNING

- When cutting rebar of a high tensile strength the cut piece may fly off and cause serious injury to the operator. Wear safety glasses and confirm that the surrounding area is safe before starting operation. (Fig. 10)

WARNING

- Keep your hands and face away from the blades, the moving parts and the cutting area, during operation. Remove the Battery from the tool immediately after use.

NOTE:

- Keep the air hole in the end of the Bar Holder clear of dirt and debris. The air hole controls the internal pressure and should not be obstructed. (Fig. 11)

Rotating Function of Motor (Fig. 12)

The Motor Body can be rotated through 360 degrees, in either direction, during operation. This feature is particularly useful when working in awkward or narrow areas as it allows the operator to position the tool in the best position for easy operation.

Return Valve Operation (Fig. 13)

The function of the Return Valve is to allow the Cutter Rod to return to the starting position if it is unable complete a cut or becomes jammed. This will release the oil pressure and allow the Cutter Rod to return. Retighten the Return Valve once the Cutter Rod is fully returned and before starting the next operation.

BLADES REPLACEMENT PROCEDURE

If the cutting edges of the blades are chipped, cracked, deformed, or damaged in any way, their cutting ability will be reduced. Cutting under such conditions may cause further damage and result in personal injury. The blades should be replaced as a set immediately if any damage is found.

WARNING

- When replacing the blades, ensure that the Battery is removed from the tool to prevent accidental operation.

Spare blade size

● Use this table to identify the correct blades for your model.

Model	A (Fitted to Bar Holder)	B (Fitted to Cutter Rod)
XCS01 (ø3 - ø20)	28 mm×20 mm×11.5 mm (Bolt Size 6 mm) 1-1/8"×13/16"×7/16" (Bolt Size 1/4")	26 mm×20 mm×10 mm (Bolt Size 5 mm) 1"×13/16"×3/8" (Bolt Size 3/16")

NOTE:

- Use only genuine Makita blades.

ADDING OIL

This cordless rebar cutter is electro-hydraulic. When shipped from the factory, it was filled with oil. Do not attempt to add oil as long as the tool performs well. Over a period of time the oil level will gradually go down. Eventually this will cause a noticeable dropping off in performance. When this happens add oil as follows.

- Place some rebar between the blades and pull the switch trigger.
- Release the switch trigger just before the cut is completed to stop the tool.
- Remove the Battery from the tool, so that the Blades cannot be moved accidentally.
- Remove the Bolt (SB10x15) which caps the oil filler hole. Add the oil, being careful not to allow any oil to spill into the motor.
- Replace the Bolt (SB10x15) and tighten securely.
- Reinsert the Battery into the tool and complete the cutting operation.
- Repeat the above procedure several times until the oil level remains correct.

CAUTION

- Only pure hydraulic oil as recommended by Makita & Company Ltd., should be used in this tool. Recommended oils include the Makita supplied hydraulic oil, Super Hyrando #46 (JX Nippon Oil & Energy Corp.); Shell Tellus Plus #46 (U.S. Shell); or equivalent spec anti-wear hydraulic oil, ISO Viscosity Grade 46. Do not use other oils as these may cause damage to the seals and other internal machine parts.

Ensure that Blade A, on the Bar Holder and Blade B, on the Cutter Rod are fitted in their correct respective positions. (Fig. 14)

- Undo the bolts and the washers that hold Blade A and Blade B.
- Remove dirt and clean the surfaces where the new blades are to be fitted.
- Fit Blade A to the Bar Holder and Blade B to the Cutter Rod. Replace bolts and washers and tighten firmly.

WARNING

- The bolts that hold Blade A and Blade B should be tightened regularly. If the bolts become loose the Blades may be damaged and may cause personal injury.

Type of spare blade and detachment (Fig. 15)

Securing bolts should be firmly tightened. Confirm periodically that the blade is tightened properly.

TROUBLE SHOOTING

⚠ WARNING:

- Remove battery before working on machine.

PROBLEM	CAUSE	SOLUTION
Cutter Rod will not extend.	Insufficient oil	Top up oil. (Refer to "Adding Oil")
	Cutter Rod has not returned completely due to build up of debris between Cutter Rod and Bar Holder.	Manually push back Cutter Rod. Remove debris and clean
	Cutter Rod has not returned completely due to damage to the Cutter Rod.	Replace Cutter Rod.
	Cutter Rod has not returned completely due to loose or damaged Blades.	Tighten Blade bolts. Replace Blades
	Cutter Rod has not returned completely due to weak Return spring.	Replace Return spring.
Insufficient power to cut rebar.	Insufficient oil.	Top up oil. (Refer to "Adding Oil")
	Return Valve not properly seated or seating damaged.	Clean tip of Return Valve and Seating. Remove any scratched from seating.
	Return Valve, damaged.	Replace.
	Incorrect clearance between Cylinder and Piston.	Replace Piston (Note: different size pistons available)
	Check Valve, not properly seated or seating damaged.	Clean Check Valve and seating. Replace.
Urethane packing, damaged or broken.	Replace.	
Oil leaks.	Oil leveller Bladder, damaged or broken.	Replace.
	Cutter Rod/ Bar Holder, O-Ring damaged; Rod/Bar Holder, surface scratched or grooved.	Replace Back-Up Ring and O-ring. Replace Cutter Rod/Bar Holder
	Cylinder/Bar Holder, O-Ring damaged	Replace O-ring.
	Cylinder/Pump Case, Gasket damaged.	Replace liner B.
	Bar Cutter/Cylinder/Pump Case, flange bolts loose.	Tighten bolts.
Motor not moving. Motor slow or erratic.	Voltage incorrect.	Charge Battery.
	Battery at end of working life.	Replace Battery.
	DC Motor damaged by over-heating.	Replace DC Motor.
	DC Motor bearings or gear damaged or broken.	Replace bearings or gear.

NOTE:

- The internal components of the pump and piston area have very close tolerances and are sensitive to damage from dust, dirt, contamination of the hydraulic fluid or improper handling. The disassembly of the pump housing requires special tools and training, and should only be attempted by qualified repair personnel that have been properly trained and have the right tools. The improper servicing of electrical components can lead to conditions that could cause serious injury. The pump, piston components and all electrical parts should be serviced only by authorized repair shop, dealer or distributor.

MAINTENANCE

⚠ CAUTION:

- Always be sure that the tool is switched off and the battery cartridge is removed before attempting to perform inspection or maintenance.
- Never use gasoline, benzine, thinner, alcohol or the like. Discoloration, deformation or cracks may result.

Replacing carbon brushes (Fig. 16)

Replace when they wear down to the limit mark. Keep the carbon brushes clean and free to slip in the holders. Both

carbon brushes should be replaced at the same time. Use only identical carbon brushes.

Use a screwdriver to remove two screws then remove the rear cover. (Fig. 17)

Raise the arm part of the spring and then place it in the recessed part of the housing with a slotted bit screwdriver of slender shaft or the like. (Fig. 18)

Use pliers to remove the carbon brush caps of the carbon brushes. Take out the worn carbon brushes, insert the new ones and replace the carbon brush caps in reverse. (Fig. 19)

Make sure that the carbon brush caps have fit into the holes in brush holders securely. (Fig. 20)

Reinstall the rear cover and tighten two screws securely. To maintain product SAFETY and RELIABILITY, repairs, any other maintenance or adjustment should be performed by Makita Authorized Service Centers, always using Makita replacement parts.

OPTIONAL ACCESSORIES

CAUTION:

- These accessories or attachments are recommended for use with your Makita tool specified in this manual. The use of any other accessories or attachments might present a risk of injury to persons. Only use accessory or attachment for its stated purpose.

If you need any assistance for more details regarding these accessories, ask your local Makita Service Center.

- Makita genuine battery and charger

NOTE:

- Some items in the list may be included in the tool package as standard accessories. They may differ from country to country.

MAKITA LIMITED ONE YEAR WARRANTY

Warranty Policy

Every Makita tool is thoroughly inspected and tested before leaving the factory. It is warranted to be free of defects from workmanship and materials for the period of ONE YEAR from the date of original purchase. Should any trouble develop during this one year period, return the COMPLETE tool, freight prepaid, to one of Makita's Factory or Authorized Service Centers. If inspection shows the trouble is caused by defective workmanship or material, Makita will repair (or at our option, replace) without charge.

This Warranty does not apply where:

- repairs have been made or attempted by others:
- repairs are required because of normal wear and tear:
- the tool has been abused, misused or improperly maintained:
- alterations have been made to the tool.

IN NO EVENT SHALL MAKITA BE LIABLE FOR ANY INDIRECT, INCIDENTAL OR CONSEQUENTIAL DAMAGES FROM THE SALE OR USE OF THE PRODUCT. THIS DISCLAIMER APPLIES BOTH DURING AND AFTER THE TERM OF THIS WARRANTY. MAKITA DISCLAIMS LIABILITY FOR ANY IMPLIED WARRANTIES, INCLUDING IMPLIED WARRANTIES OF "MERCHANTABILITY" AND "FITNESS FOR A SPECIFIC PURPOSE," AFTER THE ONE YEAR TERM OF THIS WARRANTY.

This Warranty gives you specific legal rights, and you may also have other rights which vary from state to state.

Some states do not allow the exclusion or limitation of incidental or consequential damages, so the above limitation or exclusion may not apply to you. Some states do not allow limitation on how long an implied warranty lasts, so the above limitation may not apply to you.

EN0006-1

Descriptif général

- | | | |
|--------------------------|------------------------------------|----------------------------------|
| 1. Voyant rouge | 13. Plus de 200 mm | 25. Lame B sur la tige de fraise |
| 2. Bouton | 14. Trou d'air | 26. Lames de rechange |
| 3. Batterie | 15. Clé hexagonale | 27. Repère limite |
| 4. Marque étoilée | 16. Clapet de non-retour | 28. Couverture arrière |
| 5. Verrou d'interrupteur | 17. Lame A (lame plus épaisse) | 29. Vis |
| 6. Gâchette | 18. Lame B (lame plus épaisse) | 30. Bras |
| 7. Côté A | 19. Boulon (plus long) | 31. Ressort |
| 8. Côté B | 20. Boulon (plus court) | 32. Partie encastrée |
| 9. Protecteur | 21. Rondelle | 33. Capuchon de carbone |
| 10. Boulon de retenue | 22. Support de barre | 34. Trou |
| 11. Barre d'armature | 23. Tige de fraise | |
| 12. Lames | 24. Lame A sur le support de barre | |

SPÉCIFICATIONS

Modèle	XCS01
Capacité de coupe max. (diamètre en mm)	3/4 po (n° 6)
Grade 40 - Grade 60	
Grade 40 : Résistance à la traction 490 N / mm ² 70 000 PSI	
Grade 60 : Résistance à la traction 620 N / mm ² 90 000 PSI	
Vitesse de découpe	6,5 secondes
Longueur totale	412 mm (16-1/5 po)
Poids net	10,6 kg (23,4 lb)
Tension nominale	C.C. 18 V

- Étant donné l'évolution constante de notre programme de recherche et de développement, les caractéristiques techniques contenues dans ce manuel sont sujettes à modification sans préavis.
- Les caractéristiques techniques et la batterie peuvent varier suivant les pays.
- Poids, avec batterie, selon la procédure 2003/01 de l'EPTA

Consignes de sécurité générales pour outils électriques

⚠ MISE EN GARDE Veuillez lire toutes les consignes de sécurité et toutes les instructions. L'ignorance des mises en garde et des instructions comporte un risque de choc électrique, d'incendie et/ou de blessure grave.

Conservez toutes les mises en garde et instructions pour référence future.

Le terme « outil électrique » qui figure dans les mises en garde fait référence à un outil électrique branché sur une prise de courant (par un cordon d'alimentation) ou alimenté par batterie (sans fil).

Sécurité de la zone de travail

1. **Maintenez la zone de travail propre et bien éclairée.** Les zones de travail encombrées ou sombres ouvrent grande la porte aux accidents.
2. **N'utilisez pas les outils électriques dans les atmosphères explosives, par exemple en présence de liquides, gaz ou poussières inflammables.** Les outils électriques produisent des

étincelles au contact desquelles la poussière ou les vapeurs peuvent s'enflammer.

3. **Assurez-vous qu'aucun enfant ou curieux ne s'approche pendant que vous utilisez un outil électrique.** Vous risquez de perdre la maîtrise de l'outil si votre attention est détournée.

Sécurité en matière d'électricité

4. **Les fiches d'outil électrique sont conçues pour s'adapter parfaitement aux prises de courant. Ne modifiez jamais la fiche de quelque façon que ce soit. N'utilisez aucun adaptateur de fiche sur les outils électriques avec mise à la terre.** En ne modifiant pas les fiches et en les insérant dans des prises de courant pour lesquelles elles ont été conçues, vous réduirez les risques de choc électrique.
5. **Évitez tout contact corporel avec les surfaces mises à la terre, telles que les tuyaux, radiateurs, cuisinières et réfrigérateurs.** Le risque de choc électrique est plus élevé si votre corps se trouve mis à la terre.
6. **N'exposez pas les outils électriques à la pluie ou à l'eau.** La présence d'eau dans un outil électrique augmente le risque de choc électrique.
7. **Ne maltraitez pas le cordon. N'utilisez jamais le cordon pour transporter, tirer ou débrancher l'outil électrique. Maintenez le cordon à l'écart des**

sources de chaleur, de l'huile, des objets à bords tranchants et des pièces en mouvement. Le risque de choc électrique est plus élevé lorsque les cordons sont endommagés ou enchevêtrés.

8. **Lorsque vous utilisez un outil électrique à l'extérieur, utilisez un cordon prolongateur prévu à cette fin.** Les risques de choc électrique sont moindres lorsqu'un cordon conçu pour l'extérieur est utilisé.
9. **Si vous devez utiliser un outil électrique dans un endroit humide, utilisez une source d'alimentation protégée par un disjoncteur de fuite à la terre.** L'utilisation d'un disjoncteur de fuite à la terre réduit le risque de choc électrique.

Sécurité personnelle

10. **Restez alerte, attentif à vos mouvements et faites preuve de bon sens lorsque vous utilisez un outil électrique. Évitez d'utiliser un outil électrique si vous êtes fatigué ou si vous avez pris une drogue, de l'alcool ou un médicament.** Un moment d'inattention pendant l'utilisation d'un outil électrique peut entraîner une grave blessure.
11. **Portez des dispositifs de protection personnelle. Portez toujours un protecteur pour la vue.** Les risques de blessure seront moins élevés si vous utilisez des dispositifs de protection tels qu'un masque antipoussières, des chaussures à semelle antidérapante, une coiffure résistante ou une protection d'oreilles.
12. **Évitez les démarrages accidentels. Assurez-vous que l'interrupteur est en position d'arrêt avant de brancher l'outil à la source d'alimentation et/ou au bloc-piles, et avant de prendre ou de transporter l'outil.** Vous ouvrez la porte aux accidents si vous transportez les outils électriques avec le doigt sur l'interrupteur ou si vous les branchez alors que l'interrupteur est en position de marche.
13. **Retirez toute clé de réglage ou de serrage avant de mettre l'outil sous tension.** Toute clé laissée en place sur une pièce rotative de l'outil électrique peut entraîner une blessure.
14. **Ne vous étirez pas trop. Assurez-vous d'une bonne prise au sol et d'une bonne position d'équilibre en tout temps.** Cela vous permettra d'avoir une meilleure maîtrise de l'outil électrique dans les situations imprévues.
15. **Portez des vêtements adéquats. Ne portez ni vêtements amples ni bijoux. Vous devez maintenir cheveux, vêtements et gants à l'écart des pièces en mouvement.** Les pièces en mouvement peuvent happer les vêtements amples, les bijoux et les cheveux longs.
16. **Si des accessoires sont fournis pour raccorder un appareil d'aspiration et de collecte de la poussière, assurez-vous qu'ils sont correctement raccordés et qu'ils sont utilisés de manière adéquate.** L'utilisation d'un appareil d'aspiration permet de réduire les risques liés à la présence de poussière dans l'air.

Utilisation et entretien des outils électriques

17. **Ne forcez pas l'outil électrique. Utilisez l'outil électrique adéquat suivant le type de travail à effectuer.** Si vous utilisez l'outil électrique adéquat et

respectez le régime pour lequel il a été conçu, il effectuera un travail de meilleure qualité et plus sécuritaire.

18. **N'utilisez pas l'outil électrique s'il n'est pas possible de mettre son interrupteur en position de marche et d'arrêt.** Un outil électrique dont l'interrupteur est défectueux représente un danger et doit être réparé.
19. **Débranchez la fiche de la source d'alimentation et/ou retirez le bloc-piles de l'outil électrique avant d'effectuer tout réglage, de changer un accessoire ou de ranger l'outil électrique.** De telles mesures préventives réduisent les risques de démarrage accidentel de l'outil électrique.
20. **Après l'utilisation d'un outil électrique, rangez-le hors de portée des enfants et ne laissez aucune personne l'utiliser si elle n'est pas familiarisée avec l'outil électrique ou les présentes instructions d'utilisation.** Les outils électriques représentent un danger entre les mains de personnes qui n'en connaissent pas le mode d'utilisation.
21. **Veillez à l'entretien des outils électriques. Assurez-vous que les pièces mobiles ne sont pas désalignées ou coincées, qu'aucune pièce n'est cassée et que l'outil électrique n'a subi aucun dommage affectant son bon fonctionnement. Le cas échéant, faites réparer l'outil électrique avant de l'utiliser.** De nombreux accidents sont causés par des outils électriques mal entretenus.
22. **Maintenez les outils tranchants bien aiguisés et propres.** Un outil tranchant dont l'entretien est effectué correctement et dont les bords sont bien aiguisés risquera moins de se coincer et sera plus facile à maîtriser.
23. **Utilisez l'outil électrique, ses accessoires, ses embouts, etc., en respectant les présentes instructions, en tenant compte des conditions de travail et du type de travail à effectuer.** L'utilisation d'un outil électrique à des fins autres que celles prévues peut entraîner une situation dangereuse.

Utilisation et entretien des outils alimentés par batterie

24. **Ne rechargez qu'avec le chargeur spécifié par le fabricant.** L'utilisation d'un chargeur conçu pour un type donné de bloc-piles comporte un risque d'incendie lorsqu'il est utilisé avec un autre type de bloc-piles.
25. **N'utilisez un outil électrique qu'avec le bloc-piles conçu spécifiquement pour cet outil.** Il y a un risque de blessure ou d'incendie si un autre bloc-piles est utilisé.
26. **Lorsque vous n'utilisez pas le bloc-piles, rangez-le à l'écart des objets métalliques tels que trombones, pièces de monnaie, clés, clous, vis ou autres petits objets métalliques qui risquent d'établir une connexion entre les bornes.** Court-circuiter les bornes de batterie peut entraîner des brûlures ou un incendie.
27. **Dans des conditions abusives, du liquide peut jaillir de la batterie; évitez tout contact. En cas de contact accidentel, rincez à l'eau. Si le liquide atteint les yeux, consultez aussi un médecin.** Le liquide éjecté par la batterie peut causer des irritations ou des brûlures.

Réparation

28. L'entretien de l'outil électrique doit être confié à un réparateur qualifié et n'utilisant que des pièces de rechange identiques aux pièces d'origine. Cela assurera le maintien de l'outil électrique dans un état sécuritaire.
29. Suivez les instructions de lubrification et de changement des accessoires.
30. Maintenez les poignées de l'outil sèches, propres et exemptes d'huile ou de graisse.

CONSIGNES DE SÉCURITÉ POUR COUPE-TIGE SANS FIL

1. Tenez l'outil fermement pendant l'utilisation. En ne tenant pas l'outil fermement, vous risqueriez de vous blesser.
2. Gardez mains et visage à l'écart des pièces en mouvement. Ils courent un risque de blessure.
3. Si l'outil ne fonctionne pas bien ou émet un bruit anormal pendant l'utilisation, libérez immédiatement la gâchette pour arrêter le travail en cours. Faites-le inspecter et réparer par un centre de service agréé. Autrement il y a risque de dommages ou de blessure.
4. Si vous laissez tomber ou heurtez l'outil, vérifiez soigneusement l'absence de dommages, fissures ou déformations sur le corps de l'outil. Tout dommage comporte un risque de blessure.
5. Cet outil est un outil électro-hydraulique. Le réservoir d'huile a été rempli avant la livraison. N'ajoutez de l'huile que si l'outil ne fonctionne pas normalement.
6. Les lames à métaux ont des bords tranchants. Manipulez-les prudemment pour éviter de vous couper.
7. Les lames endommagées, déformées ou fissurées peuvent causer de graves accidents et affecter le fonctionnement. Remplacez-les immédiatement par des lames neuves du fabricant.

CONSERVEZ CES INSTRUCTIONS.

⚠ MISE EN GARDE :
NE vous laissez PAS tromper (au fil d'une utilisation répétée) par un sentiment d'aisance ou de familiarité avec le produit en négligeant les consignes de sécurité qui accompagnent le produit. L'UTILISATION INCORRECTE ou l'ignorance des consignes de sécurité du présent manuel d'instructions comporte un risque de blessure grave.

Symboles

Les symboles utilisés pour l'outil sont présentés ci-dessous.

V volts



..... courant continu

IMPORTANTES CONSIGNES DE SÉCURITÉ

POUR BATTERIE

1. Avant d'utiliser la batterie, veuillez lire toutes les instructions et toutes les mises en garde inscrites sur (1) le chargeur de batterie, (2) la batterie et (3) le produit alimenté par la batterie.
2. Ne démontez pas la batterie.
3. Si la durée de fonctionnement diminue considérablement, cessez immédiatement l'utilisation. Cela comporte un risque de surchauffe et de brûlures, voire d'explosion.
4. Si l'électrolyte pénètre dans vos yeux, rincez-les à l'eau claire et consultez immédiatement un médecin. Il y a un risque de perte de la vue.
5. Ne court-circuitez pas la batterie :
 - (1) Ne touchez les bornes avec aucun matériau conducteur.
 - (2) Évitez de ranger la batterie dans le même contenant que d'autres objets métalliques tels que clous, pièces de monnaie, etc.
 - (3) N'exposez pas la batterie à l'eau ou à la pluie. Un court-circuit de batterie peut entraîner un fort courant, une surchauffe, des brûlures, voire un claquage.
6. Ne rangez pas l'appareil et la batterie dans les emplacements où la température peut atteindre ou dépasser 50°C (122°F).
7. Ne détruisez pas la batterie par le feu même si elle est très abîmée ou complètement épuisée. La batterie peut exploser au contact des flammes.
8. Évitez soigneusement d'échapper ou de heurter la batterie.
9. N'utilisez pas la batterie si elle est abîmée.
10. Respectez la réglementation locale en matière d'élimination des batteries.

CONSERVEZ CES INSTRUCTIONS.

⚠ ATTENTION Utilisez uniquement les batteries lithium-ion Makita. Les batteries autres que celles fabriquées par Makita ou les batteries modifiées peuvent exploser et causer un incendie, une blessure ou des dommages.

Conseils pour assurer la durée de service maximale de la batterie

1. Chargez la batterie avant qu'elle ne soit complètement déchargée. Arrêtez toujours l'outil et rechargez la batterie quand vous remarquez que la puissance de l'outil diminue.
2. Ne rechargez jamais une batterie déjà complètement chargée. La surcharge réduit la durée de service de la batterie.
3. Chargez la cartouche de batterie à une température ambiante de 10°C à 40°C (50°F à

104°F). Avant de charger une batterie chaude, laissez-la refroidir.

4. **Chargez la batterie une fois tous les six mois si vous la laissez inutilisée pendant une période prolongée.**

DESCRIPTION DU FONCTIONNEMENT

⚠ ATTENTION :

- Assurez-vous toujours que l'outil est éteint et que sa batterie est retirée avant de régler l'appareil ou de vérifier son fonctionnement.

Pose ou retrait de la batterie (Fig. 1)

⚠ ATTENTION :

- Éteignez toujours l'outil avant de poser ou de retirer la batterie.
- Tenez fermement l'outil et la batterie lorsque vous posez ou retirez la batterie.** Si vous ne tenez pas fermement l'outil et la batterie, ils risquent de vous glisser des mains, ce qui peut entraîner des dommages à l'outil et à la batterie, et causer une blessure.

Pour retirer la batterie, faites-la glisser de l'outil tout en faisant glisser le bouton à l'avant de la batterie. Pour poser la batterie, alignez sa languette sur la rainure du boîtier, et glissez la cartouche en place. Insérez-la à fond, jusqu'à ce qu'elle se verrouille avec un léger bruit sec. Si le voyant rouge est visible sur la face supérieure du bouton, elle n'est pas parfaitement verrouillée.

⚠ ATTENTION :

- Insérez toujours la batterie à fond, jusqu'à ce que le voyant rouge ne soit plus visible. Autrement elle risque de tomber accidentellement de l'outil, ce qui comporte un risque de blessure pour vous-même et pour les personnes présentes.
- Ne forcez pas pour poser la batterie. Si la batterie ne glisse pas facilement, c'est qu'elle n'est pas insérée correctement.

Dispositif de protection de la batterie (batterie lithium-ion marquée d'une étoile) (Fig. 2)

Les batteries lithium-ion marquées d'une étoile sont équipées d'un dispositif de protection. Ce dispositif coupe automatiquement le courant sur l'outil pour prolonger la durée de service de la batterie.

L'outil s'arrêtera automatiquement si l'outil et/ou la batterie se trouve dans l'une ou l'autre des situations suivantes :

- Surchargée :
L'outil est utilisé d'une manière entraînant une consommation anormale de courant. Dans ce cas, libérez la gâchette de l'outil et cessez l'utilisation qui entraîne une surcharge de l'outil. Appuyez de nouveau sur la gâchette pour redémarrer. Si l'outil ne démarre pas, c'est que la batterie est surchauffée. Dans cette situation, laissez refroidir la batterie avant d'appuyer de nouveau sur la gâchette.

- Faible tension de la batterie :
La charge restante de la batterie est trop basse et l'appareil ne fonctionne pas. Dans ce cas, retirez et rechargez la batterie.

L'utilisation de batteries autres que celles fabriquées par Makita ou de batteries modifiées annulera la garantie de l'outil Makita et du chargeur.

MODALITÉS D'UTILISATION

Veillez lire, comprendre et suivre les consignes de sécurité et les modalités d'utilisation. N'utilisez pas cet outil si vous ne comprenez pas les instructions ou si les conditions de fonctionnement adéquat ne sont pas remplies. Consultez votre superviseur ou autre personne responsable.

⚠ MISE EN GARDE :

- Avant d'insérer la batterie dans l'outil, appuyez sur la gâchette et libérez-la pour vous assurer qu'elle revient sur sa position une fois libérée.

Le moteur s'active lorsque vous appuyez sur la gâchette, et se désactive lorsque vous la libérez.

Fonctionnement du verrou d'interrupteur (Fig. 3)

- Enfoncez le verrou d'interrupteur du côté A. L'interrupteur se déverrouille et vous pouvez utiliser la gâchette.
- Enfoncez le verrou d'interrupteur du côté B. L'interrupteur se verrouille et vous ne pouvez pas utiliser la gâchette.

⚠ ATTENTION :

- La gâchette doit être verrouillée en tout temps lorsque l'outil n'est pas utilisé.

⚠ MISE EN GARDE :

- Avant l'utilisation, assurez-vous que votre position par rapport à l'outil est sécuritaire et que la zone environnante est sûre pour l'utilisation. Mettez des lunettes de sécurité et portez des vêtements de protection.
- Reportez-vous aux spécifications de l'outil dans le présent manuel, et ne coupez pas de barres d'armature dont la taille ou la dureté dépasse la capacité de coupe de l'outil.
- Ne coupez aucun autre matériau que les barres d'armature. Si vous souhaitez couper d'autres matériaux, informez-vous auprès du fabricant.

⚠ MISE EN GARDE :

- Remplacez immédiatement les lames endommagées (ébréchées, brisées, fissurées) ou déformées. La lame ne coupera pas avec précision et elle risque, en cassant, de causer une grave blessure.

Modalités de coupe

⚠ MISE EN GARDE

- N'utilisez jamais l'outil sans avoir mis en place le protecteur.** Autrement il y a risque de blessure grave. (Fig. 4)

- Placez la barre d'armature à couper entre les lames. (Fig. 5)

Ajustez le boulon de retenue selon le diamètre de la barre d'armature à couper, de sorte que la barre

d'armature soit à 90 degrés par rapport aux lames. Le boulon de retenue soutient la barre d'armature et la garde perpendiculaire aux lames pendant la coupe. (Fig. 6)

⚠ MISE EN GARDE

- Lorsque vous coupez une barre d'armature, ajustez le boulon de retenue selon le diamètre de la barre d'armature à couper, de sorte que la barre d'armature soit à 90 degrés par rapport aux lames. Sans ce réglage, la pièce coupée risque d'être projetée et de blesser gravement l'utilisateur ou les curieux. N'oubliez jamais de vérifier votre position par rapport à l'outil et de vérifier votre propre sécurité et celle de la zone environnante.
2. Placez la barre d'armature à couper de sorte qu'elle soit complètement entre les lames. (Fig. 7)

⚠ MISE EN GARDE

- Si la barre d'armature à couper n'est pas placée complètement entre les lames, celles-ci seront endommagées; la barre d'armature sera violemment éjectée et peut causer une grave blessure.

⚠ MISE EN GARDE

- Ne coupez pas une barre d'armature dont la partie à détacher est d'une longueur inférieure à 200 mm. Si la longueur de coupe est inférieure à cela, la barre d'armature risque d'être éjectée pendant la coupe et de causer une grave blessure. (Fig. 8)

⚠ MISE EN GARDE

- Ne coupez pas de barre d'armature non adéquatement soutenue par le boulon de retenue. Lors de la coupe, tenez la barre d'armature du côté de le boulon de retenue. (Fig. 9) Autrement la pièce coupée risque d'être projetée et de blesser gravement l'utilisateur ou les curieux.
3. Enfoncez le verrou d'interrupteur du côté A. L'interrupteur se déverrouille et vous pouvez utiliser la gâchette.
 4. Appuyez sur la gâchette pour commencer la coupe. La tige de fraise se déplacera vers l'avant pour couper la barre d'armature. Maintenez l'interrupteur enfoncé jusqu'à ce que la tige de fraise s'arrête à la fin de sa course.
 5. Libérez la gâchette lorsque la coupe est terminée et que la tige de fraise a atteint la fin de sa course. La tige de fraise reviendra alors automatiquement à sa position de départ. La tige de fraise ne reviendra pas si sa course n'est pas achevée. De même, la tige de fraise ne pourra se déplacer à nouveau vers l'avant qu'une fois complètement revenue sur sa position de départ. N'appuyez sur l'interrupteur pour commencer la coupe suivante qu'une fois la tige de fraise complètement revenue et arrêtée sur sa position de départ.

⚠ MISE EN GARDE

- Si vous coupez une barre d'armature d'une grande résistance à la traction, la pièce coupée risque d'être éjectée et de vous blesser gravement. Portez des lunettes de sécurité et, avant de commencer le travail, assurez-vous que la zone environnante est sécuritaire. (Fig. 10)

⚠ MISE EN GARDE

- Pendant l'utilisation, gardez mains et visage à l'écart des lames, des pièces en mouvement et de la zone de coupe. Retirez la batterie de l'outil immédiatement après l'utilisation.

NOTE :

- Gardez le trou d'air, à l'extrémité du support de barre, exempt de saletés et débris. Le trou d'air contrôle la pression interne et ne doit pas être obstrué. (Fig. 11)

Fonction rotative du moteur (Fig. 12)

Pendant l'utilisation, le corps du moteur peut être tourné de 360 degrés dans un sens ou dans l'autre. Cette fonction est tout particulièrement pratique lors des travaux réalisés dans des emplacements peu commodes ou étroits, car elle permet à l'utilisateur de placer l'outil dans la position qui facilite le plus son utilisation.

Fonctionnement du clapet de non-retour (Fig. 13)

Le clapet de non-retour a pour fonction de laisser la tige de fraise revenir sur sa position de départ si elle n'arrive pas à achever une coupe ou se coince. Cela réduit la pression d'huile et permet à la tige de fraise de revenir. Resserrez le clapet de non-retour une fois la tige de fraise complètement revenue et avant de commencer l'opération suivante.

MODALITÉS DE REMPLACEMENT DES LAMES

Si les bords tranchants des lames sont ébréchés, fissurés, déformés ou endommagés de quelque façon que ce soit, cela réduira leur capacité de coupe. Couper dans de telles conditions peut aggraver les dommages et entraîner une blessure. Si vous constatez tout dommage, le jeu de lames doit être remplacé immédiatement.

⚠ MISE EN GARDE

- Lorsque vous remplacez les lames, assurez-vous d'avoir retiré la batterie de l'outil pour éviter la mise en marche accidentelle. Assurez-vous que la lame A, sur le support de barre, et la lame B, sur la tige de fraise, sont respectivement installées sur la bonne position. (Fig. 14)
1. Enlevez les boulons et rondelles qui retiennent la lame A et la lame B.
 2. Retirez les saletés et nettoyez la surface aux emplacements d'installation des lames neuves.
 3. Installez la lame A sur le support de barre et la lame B sur la tige de fraise. Remettez en place les boulons et rondelles, et serrez-les fermement.

⚠ MISE EN GARDE

- Les boulons qui retiennent la lame A et la lame B doivent être resserrés régulièrement. Si les boulons se desserrent, les lames risquent de subir des dommages et de causer une blessure.

Type de lame de rechange et détachement (Fig. 15)

Les boulons de fixation doivent être fermement serrés.
Assurez-vous régulièrement que la lame est bien serrée.

Taille de lame de rechange

● Utilisez ce tableau pour identifier les lames adéquates pour votre modèle.

Modèle	A (Installée sur le support de barre)	B (Installée sur la tige de fraise)
XCS01 (ø3 - ø20)	28 mm × 20 mm × 11,5 mm (Taille de boulon 6 mm) 1-1/8 po × 13/16 po × 7/16 po (taille de boulon 1/4 po)	26 mm × 20 mm × 10 mm (taille de boulon 5 mm) 1 po × 13/16 po × 3/8 po (taille de boulon 3/16 po)

NOTE :

- Utilisez uniquement de véritables lames Makita.

AJOUT D'HUILE

Cet outil de découpe de barres d'armature sans fil est électro-hydraulique. À sa sortie d'usine, il a été rempli d'huile. Tant que l'outil fournit un bon rendement, n'ajoutez pas d'huile. Au fil du temps, le niveau d'huile diminuera graduellement. Éventuellement, cela entraînera une baisse notable de rendement. Le cas échéant, procédez comme suit pour ajouter de l'huile.

1. Mettez une barre d'armature entre les lames et appuyez sur la gâchette.
2. Libérez la gâchette juste avant que la coupe ne soit achevée pour arrêter l'outil.
3. Retirez la batterie de l'outil, de sorte que les lames ne puissent être activées par accident.
4. Retirez le boulon (SB10x15) qui recouvre le trou de remplissage d'huile. Ajoutez de l'huile, en évitant soigneusement d'en renverser dans le moteur.
5. Remettez le bouton (SB10x15) en place et serrez-le fermement.
6. Réinsérez la batterie dans l'outil et achevez le travail de coupe.
7. Répétez la procédure ci-dessus plusieurs fois jusqu'à ce que le niveau d'huile demeure adéquat.

ATTENTION

- Seule une huile hydraulique pure recommandée par Makita & Company Ltd. doit être utilisée avec cet outil. Les huiles recommandées comprennent l'huile hydraulique fournie par Makita, l'huile Super Hyrando #46 (JX Nippon Oil & Energy Corp.), l'huile Shell Tellus Plus #46 (U.S. Shell) ou autre huile hydraulique anti-usure équivalente à indice de viscosité ISO 46. N'utilisez pas d'autres huiles, car elles peuvent endommager les joints et autres pièces internes de la machine.

DÉPANNAGE

⚠ MISE EN GARDE :

- Retirez la batterie avant toute intervention sur la machine.

PROBLÈME	CAUSE	SOLUTION
La tige de fraise ne s'étend pas.	Pas assez d'huile	Faites le plein d'huile. (Voir « Ajout d'huile ».)
	La tige de fraise n'est pas revenue complètement à cause de l'accumulation de débris entre la tige de fraise et le support de barre.	Ramenez manuellement la tige de fraise. Retirez les débris et nettoyez.
	La tige de fraise n'est pas revenue complètement car elle est endommagée.	Remplacez la tige de fraise.
	La tige de fraise n'est pas revenue complètement car les lames sont desserrées ou endommagées.	Serrez les boulons de lame. Remplacez les lames.
	La tige de fraise n'est pas revenue complètement car le ressort de retour est faible.	Remplacez le ressort de retour.
Puissance insuffisante pour couper la barre d'armature	Pas assez d'huile	Faites le plein d'huile. (Voir « Ajout d'huile ».)
	Clapet de non-retour pas bien installé ou assise endommagée.	Nettoyez l'extrémité du clapet de non-retour et l'assise. Polissez l'assise.
	Clapet de non-retour endommagé	Remplacez.
	Espace incorrect entre le cylindre et le piston.	Remplacez le piston (remarque : différentes tailles de piston sont disponibles)
	Clapet de non-retour mal installé ou assise endommagée.	Nettoyez le clapet de non-retour et l'assise. Remplacez.
	Garniture d'uréthane endommagée ou cassée.	Remplacez.
L'huile fuit.	Réservoir d'huile endommagé ou cassé.	Remplacez.
	Tige de fraise/support de barre, joint torique endommagé; tige/support de barre, surface rayée ou rainurée.	Remplacez la bague d'appui et le joint torique. Remplacez la tige de fraise ou le support de barre.
	Cylindre/support de barre, joint torique endommagé	Remplacez le joint torique.
	Cylindre/carter de pompe, joint endommagé.	Remplacez le manchon B.
	Coupe-barre/cylindre/carter de pompe, boulons à bride desserrés.	Serrez les boulons.
Moteur immobile. Moteur lent ou irrégulier.	Tension incorrecte.	Chargez la batterie.
	Batterie en fin de vie.	Remplacez la batterie.
	Moteur C.C. endommagé par une surchauffe.	Remplacez le moteur C.C.
	Roulements ou engrenage du moteur C.C. endommagés ou cassés.	Remplacez les roulements ou l'engrenage.

NOTE :

- Les composants internes du bloc pompe et piston ont des tolérances très étroites et sont sensibles aux dommages résultant de la poussière, de la saleté et de la contamination du fluide hydraulique ou d'une manipulation inappropriée. Le démontage du carter de pompe requiert des outils spéciaux et une formation appropriée; il ne doit être effectué que par des réparateurs qualifiés correctement formés et disposant des outils adéquats. Un entretien inapproprié des composants électriques peut induire des conditions pouvant entraîner des blessures graves. Les composants de la pompe et des pistons, et tous les composants électriques ne doivent être entretenus que par le revendeur, le distributeur ou un atelier de réparation agréé.

ENTRETIEN

ATTENTION :

- Assurez-vous toujours que l'outil est hors tension et que la batterie est retirée avant d'y effectuer tout travail d'inspection ou d'entretien.
- N'utilisez jamais d'essence, de benzine, de diluant, d'alcool ou substance similaire. Une décoloration, une déformation, ou la formation de fissures peuvent en découler.

Remplacement des charbons (Fig. 16)

Remplacez-les lorsqu'ils sont usés jusqu'au trait de limite d'usure. Maintenez les charbons propres et en état de glisser aisément dans les porte-charbon. Les deux charbons doivent être remplacés en même temps. N'utilisez que des charbons identiques.

Utilisez un tournevis pour retirer les deux vis, puis retirez le couvercle arrière. (Fig. 17)

Soulevez le bras du ressort et mettez-le dans la partie encastrée du carter à l'aide d'un tournevis cruciforme à tige mince ou d'un outil similaire. (Fig. 18)

Utilisez une pince pour retirer les capuchons de charbon. Enlevez les charbons usés, insérez les neufs et remettez les capuchons de charbon en place. (Fig. 19)

Assurez-vous que les capuchons de charbon sont bien insérés dans les trous des porte-charbons. (Fig. 20) Réinstallez le couvercle arrière et serrez fermement les deux vis. Pour maintenir la SÉCURITÉ et la FIABILITÉ du produit, les réparations et tout autre travail d'entretien ou de réglage doivent être effectués dans un centre de service Makita agréé ou un centre de service de l'usine Makita, exclusivement avec des pièces de rechange Makita.

ACCESSOIRES EN OPTION

ATTENTION :

- Ces accessoires ou pièces complémentaires sont recommandés pour l'utilisation avec l'outil Makita spécifié dans ce mode d'emploi. L'utilisation de tout autre accessoire ou pièce complémentaire peut comporter un risque de blessure. N'utilisez les accessoires ou pièces complémentaires qu'aux fins auxquelles ils ont été conçus.

Si vous désirez obtenir plus de détails concernant ces accessoires, veuillez contacter le centre de service après-vente Makita le plus près.

- Batterie et chargeur Makita authentiques

NOTE :

- Certains éléments de la liste peuvent être inclus avec l'outil comme accessoires standard. Ils peuvent varier suivant les pays.

GARANTIE LIMITÉE D'UN AN MAKITA

Politique de garantie

Chaque outil Makita est inspecté rigoureusement et testé avant sa sortie d'usine. Nous garantissons qu'il sera exempt de défaut de fabrication et de vice de matériau pour une période d'UN AN à partir de la date de son achat

initial. Si un problème quelconque devait survenir au cours de cette période d'un an, veuillez retourner l'outil COMPLET, port payé, à une usine ou à un centre de service après-vente Makita. Makita réparera l'outil gratuitement (ou le remplacera, à sa discrétion) si un défaut de fabrication ou un vice de matériau est découvert lors de l'inspection.

Cette garantie ne s'applique pas dans les cas où :

- des réparations ont été effectuées ou tentées par un tiers;
- des réparations s'imposent suite à une usure normale;
- l'outil a été malmené, mal utilisé ou mal entretenu;
- l'outil a subi des modifications.

MAKITA DÉCLINE TOUTE RESPONSABILITÉ POUR TOUT DOMMAGE ACCESSOIRE OU INDIRECT LIÉ À LA VENTE OU À L'UTILISATION DU PRODUIT. CET AVIS DE NON-RESPONSABILITÉ S'APPLIQUE À LA FOIS PENDANT ET APRÈS LA PÉRIODE COUVERTE PAR CETTE GARANTIE.

MAKITA DÉCLINE TOUTE RESPONSABILITÉ QUANT À TOUTE GARANTIE TACITE, INCLUANT LES GARANTIES TACITES DE « QUALITÉ MARCHANDE » ET D'« ADÉQUATION À UN USAGE PARTICULIER » APRÈS LA PÉRIODE D'UN AN COUVERTE PAR CETTE GARANTIE.

Cette garantie vous donne des droits spécifiques reconnus par la loi, et possiblement d'autres droits, qui varient d'un État à l'autre. Certains États ne permettant pas l'exclusion ou la limitation des dommages accessoires ou indirects, il se peut que la limitation ou exclusion ci-dessus ne s'applique pas à vous. Certains États ne permettant pas la limitation de la durée d'application d'une garantie tacite, il se peut que la limitation ci-dessus ne s'applique pas à vous.

EN0006-1

ESPAÑOL (Instrucciones originales)

Explicación de la vista general

- | | | |
|---------------------------------|--------------------------------------|---|
| 1. Indicador rojo | 13. Más de 200 mm | 25. Cuchilla B con varilla de cortadora |
| 2. Botón | 14. Hueco de aire | 26. Cuchillas de repuesto |
| 3. Cartucho de batería | 15. Llave hexagonal | 27. Marca de límite |
| 4. Marca de estrella | 16. Válvula de retorno | 28. Cubierta posterior |
| 5. Bloqueador de interruptor | 17. Cuchilla A (cuchilla más gruesa) | 29. Tornillo |
| 6. Interruptor a gatillo | 18. Cuchilla B (cuchilla más gruesa) | 30. Brazo |
| 7. Lado A | 19. Perno (más largo) | 31. Resorte |
| 8. Lado B | 20. Perno (más corto) | 32. Parte como cavidad |
| 9. Protector | 21. Arandela | 33. Tapa de escobilla de carbón |
| 10. Perno de anclaje | 22. Soporte de barra | 34. Hueco |
| 11. Barra de refuerzo o varilla | 23. Varilla de cortadora | |
| 12. Cuchillas | 24. Cuchilla A con soporte de barra | |

ESPECIFICACIONES

Modelo	XCS01
Capacidad de corte máxima (diám. mm)	
Grado 40 - Grado 60	
Grado 40: Resistencia a la tracción 490 N / mm ² 70 000 PSI	3/4 pulg. (#6)
Grado 60: Resistencia a la tracción 620 N / mm ² 90 000 PSI	
Velocidad de corte	6,5 segundos
Longitud total	412 mm (16-1/5 pulg)
Peso neto	10,6 kg (23,4 lbs)
Tensión nominal	18 Vcc

- Debido a nuestro programa continuo de investigación y desarrollo, las especificaciones aquí dadas están sujetas a cambios sin previo aviso.
- Las especificaciones y el cartucho de la batería pueden variar de país a país.
- Peso de acuerdo al procedimiento de EPTA-01/2003 incluyendo el cartucho de la batería

Advertencias generales sobre seguridad de herramientas eléctricas

⚠ ADVERTENCIA Lea todas las advertencias de seguridad y todas las instrucciones. Si no cumple con las advertencias e instrucciones, se podría causar una descarga eléctrica, incendio y/o lesiones graves.

Guarde todas las advertencias e instrucciones para referencia futura.

El término "herramienta eléctrica" en las advertencias se refiere a una herramienta con cable conectada a la red eléctrica (con cable) o herramienta eléctrica operada con baterías (sin cable).

Seguridad del área de trabajo

1. **Mantenga el área de trabajo limpia y bien iluminada.** Las áreas llenas de cosas u oscuras pueden provocar accidentes.
2. **No opere herramientas eléctricas en atmósferas potencialmente explosivas, tales como en presencia de líquidos inflamables, gases o polvo.**

Las herramientas eléctricas producen chispas que pueden encender el polvo o el humo.

3. **Mantenga a niños y espectadores alejados cuando opere una herramienta eléctrica.** Las distracciones pueden hacer que pierda el control.

Seguridad eléctrica

4. **Las clavijas de conexión de las herramientas eléctricas deben corresponder a los tomacorrientes. Nunca modifique el enchufe de ninguna manera. No use receptáculos de adaptadores con herramientas eléctricas con conexión a tierra.** Los enchufes no modificados y tomacorrientes que coincidan en capacidad reducirán el riesgo de descarga eléctrica.
5. **Evite el contacto corporal con superficies con conexión a tierra tales como tuberías, radiadores, estufas y refrigeradoras.** Hay un aumento de riesgo de descarga eléctrica si su cuerpo tiene conexión a tierra.
6. **No exponga las herramientas eléctricas a condiciones húmedas o lluvia.** Si el agua entra en la herramienta eléctrica aumentará el riesgo de descarga eléctrica.
7. **No use incorrectamente el cable. Nunca use el cable para cargar, halar ni desconectar la herramienta eléctrica. Mantenga el cable alejado**

de calor, aceite, bordes fillos o partes que se mueven. Los cables dañados o enredados aumentan el riesgo de descarga eléctrica.

8. **Cuando opere una herramienta eléctrica al aire libre, utilice un cable de extensión adecuado para el uso al aire libre.** Si utiliza un cable apropiado para el aire libre disminuirá el riesgo de descarga eléctrica.
9. **Si no puede evitar operar una herramienta eléctrica en un lugar húmedo, utilice energía protegida con interruptor del circuito de fallos de conexión a tierra (GFCI).** El uso de un GFCI disminuye el riesgo de descarga eléctrica.

Seguridad personal

10. **Manténgase alerta, mire lo que está haciendo y utilice el sentido común cuando opere una herramienta eléctrica. No utilice una herramienta eléctrica cuando esté cansado o bajo la influencia de drogas, bebidas alcohólicas o medicamentos.** Un momento que deje de prestar atención cuando opere herramientas eléctricas podrá causar lesiones personales graves.
11. **Utilice equipo protector personal. Siempre utilice gafas protectoras.** El equipo protector tal como máscara contra el polvo, zapatos de seguridad antideslizantes, casco o protección auditiva usados en condiciones apropiadas disminuirán las lesiones personales.
12. **Evite los arranques involuntarios. Asegúrese que el interruptor esté en la posición de apagado antes de conectar a una fuente de poder y/o cartucho de baterías, cargar o recoger la herramienta.** Si porta las herramientas eléctricas con su dedo en el interruptor o activar herramientas eléctricas que tienen encendido el interruptor, se podrían causar accidentes.
13. **Retire cualquier llave de ajuste o llave inglesa antes de encender la herramienta eléctrica.** Si deja colocada una llave inglesa o llave en una parte giratoria de la herramienta eléctrica se podría producir una lesión personal.
14. **No se estire demasiado. Mantenga bien colocados los pies y el equilibrio en todo momento.** Esto permite tener un mejor control de la herramienta eléctrica en situaciones no esperadas.
15. **Vista ropa adecuada. No use joyas ni ropa suelta. Mantenga su cabello, ropa y guantes alejados de partes que se mueven.** Las ropas sueltas, joyería o cabello largo podrían engancharse en partes que se mueven.
16. **Si se proveen dispositivos para conectar mangueras de extracción y captación de polvo, asegúrese de que estas estén bien conectadas y se usen correctamente.** El uso de dispositivos para recoger polvo puede disminuir los peligros relacionados con el polvo.

Uso y cuidado de herramientas eléctricas

17. **No fuerce la herramienta eléctrica. Utilice la herramienta eléctrica correcta para su aplicación.** La herramienta eléctrica correcta hará el trabajo de una mejor forma y una manera más segura según la clasificación de su diseño.
18. **No utilice la herramienta eléctrica si el interruptor no sirve para encenderla y apagarla.** Cualquier

herramienta eléctrica que no pueda controlarse con el interruptor es peligrosa y debe repararse.

19. **Desconecte el enchufe de la fuente de poder y/o cartucho de baterías de la herramienta eléctrica antes de realizar cualquier ajuste, cambiar accesorios o almacenarlas.** Dichas medidas preventivas de seguridad reducen el riesgo de encender accidentalmente la herramienta eléctrica.
20. **Almacene las herramientas eléctricas inactivas fuera del alcance de niños y no permita que personas que no conozcan bien la herramienta eléctrica o estas instrucciones la operen.** Las herramientas eléctricas son peligrosas en manos de usuarios no capacitados.
21. **Dé mantenimiento a las herramientas eléctricas. Revise si hay falta de alineación o de unión de elementos que se mueven, rotura de elementos y cualquier otra condición que pueda afectar su operación. Si se daña la herramienta eléctrica, solicite que esta se repare antes de su uso.** Muchos accidentes se producen por herramientas eléctricas con deficiente mantenimiento.
22. **Mantenga limpias y afiladas las herramientas de corte.** Es menos probable que se unan las herramientas de corte mantenidas adecuadamente con bordes de corte fillos y estas se controlarán más fácilmente.
23. **Utilice la herramienta eléctrica, accesorios y brocas, etc. según estas instrucciones, tomando en cuenta las condiciones de trabajo y las tareas a realizar.** El uso de la herramienta eléctrica para operaciones distintas a las específicas de su diseño podría producir situaciones riesgosas.

Uso y cuidado de baterías

24. **Utilice únicamente el cargador especificado por el fabricante para recargar la batería.** Un cargador que es adecuado para un tipo de cartucho de batería puede crear un riesgo de incendio al ser utilizado con otro cartucho de batería.
25. **Utilice las herramientas eléctricas solamente con los cartuchos de batería específicamente diseñados para estos.** Utilizar otros cartuchos de batería puede crear un riesgo de lesión e incendio.
26. **Cuando el cartucho de batería no se encuentre en uso, manténgalo alejado de otros objetos metálicos, como sujetapapeles, monedas, llaves, clavos, tornillos u otros objetos metálicos pequeños que puedan hacer una conexión de una terminal a otra.** El hacer corto circuito entre las terminales puede causar quemaduras o incluso un incendio.
27. **Bajo condiciones de abuso, el líquido de la batería puede salir expulsado, evite el contacto. Si entra en contacto accidental, lave la zona afectada con agua. Si el líquido entra en contacto con los ojos, busque asistencia médica.** El líquido expulsado de la batería puede causar irritación o quemaduras.

Mantenimiento

28. **El mantenimiento de la herramienta eléctrica solamente debe ser realizado por un experto calificado que utilice únicamente piezas de repuesto idénticas.** Esto garantizará que se mantenga la seguridad de la herramienta eléctrica.

29. Siga las instrucciones para lubricar y cambiar los accesorios.
30. Mantenga las manijas secas, limpias y libres de aceite y grasa.

ADVERTENCIAS DE SEGURIDAD DE LA CORTADORA INALÁMBRICA DE VARILLAS DE ACERO

1. **Sostenga la herramienta de forma segura, cuando se esté usando.** Si no la sostiene de forma segura, se podría lesionar.
2. **Mantenga las manos y cara alejados de los elementos que se mueven.** Podrían causar una lesión.
3. **Suelte el interruptor a gatillo inmediatamente para detener la operación cuando no funcione bien la herramienta o produzca un ruido anormal durante su uso.** Solicite que se inspeccione y repare en un centro de servicios autorizado. Si no lo hiciera, se podría causar una lesión o daño.
4. **Si deja caer o golpea la herramienta, revise cuidadosamente que no esté dañado, roto o deformado el cuerpo de la herramienta.** Cualquier daño de tal tipo podría causar una lesión.
5. **Esta herramienta es electro-hidráulica. El depósito de aceite debe llenarse antes de la entrega. No agregue aceite excepto si la herramienta funciona anormalmente.**
6. **Las cuchillas cortadoras de metal tienen bordes filosos.** Manéjelas con cuidado para evitar cortarse.
7. **Las cuchillas dañadas, deformes o agrietadas podrían causar accidentes graves además de impedir el funcionamiento.** Reemplácelas con cuchillas nuevas genuinas inmediatamente.

GUARDE ESTAS INSTRUCCIONES.

⚠ ADVERTENCIA:
NO DEJE que la comodidad o conocimiento práctico del producto (obtenido de uso repetido) reemplace el cumplimiento estricto de las reglas de seguridad para este producto. **EL USO INCORRECTO** o el no acatamiento de las reglas de seguridad indicadas en este manual de instrucciones podrían causar lesiones personales graves.

Símbolos

Las ilustraciones siguientes muestran los símbolos utilizados para la herramienta.

- V voltios
 ——— corriente continua

INSTRUCCIONES IMPORTANTES DE SEGURIDAD

PARA CARTUCHO DE BATERÍA

1. Antes de utilizar el cartucho de batería, lea todas las instrucciones e indicadores de precaución sobre (1) el cargador de la batería, (2) la batería, y (3) el producto con el que se utiliza la batería.
2. **No desensamble el cartucho de batería.**
3. **Si el tiempo de operación se ha acortado en exceso, deje de operar de inmediato. Podría correrse el riesgo de sobrecalentamiento, posibles quemaduras e incluso explosión.**
4. **En caso de que ingresen electrolitos en sus ojos, enjuáguelos bien con agua limpia y consulte de inmediato a un médico. Podría perder la visión.**
5. **No cortocircuite el cartucho de batería:**
 - (1) **No toque las terminales con ningún material conductor.**
 - (2) **Evite guardar el cartucho de batería en un cajón junto con otros objetos metálicos, tales como clavos, monedas, etc.**
 - (3) **No exponga el cartucho de batería al agua o a la lluvia.**

Un corto circuito en la batería puede causar un flujo grande de corriente, sobrecalentamiento, posibles quemaduras e incluso descomposturas.
6. **No guarde la herramienta ni el cartucho de batería en lugares donde la temperatura pueda alcanzar o exceder los 50°C (122°F).**
7. **Nunca incinere el cartucho de batería incluso en el caso de que esté dañado seriamente o ya no sirva en absoluto. El cartucho de batería puede explotar si se tira al fuego.**
8. **Tenga cuidado de no dejar caer ni golpear el cartucho de batería.**
9. **No use una batería dañada.**
10. **Siga las reglamentaciones locales relacionadas con el desecho de baterías.**

GUARDE ESTAS INSTRUCCIONES.

⚠ PRECAUCIÓN Utilice solo baterías genuinas de iones de litio Makita. El uso de baterías no genuinas Makita o baterías que se han alterado puede hacer que estallen las baterías y causar incendios, lesiones personales y daños.

Consejos para alargar al máximo la vida útil de la batería

1. **Cargue el cartucho de batería antes de que esté completamente descargado.** Detenga siempre la operación y cargue el cartucho de batería cuando note que la herramienta tiene menos potencia.
2. **No cargue nunca un cartucho de batería que esté completamente cargado.** La sobrecarga acortará la vida de servicio de la batería.

3. **Cargue el cartucho de baterías para una temperatura ambiente de 10°C - 40°C (50°F - 104°F). Si un cartucho de batería está caliente, déjelo enfriar antes de recargarlo.**
4. **Recargue el cartucho de la batería una vez cada seis meses si no lo va a usar por un periodo extenso.**

DESCRIPCIÓN FUNCIONAL

⚠️ PRECAUCIÓN:

- Asegúrese siempre de que la herramienta esté apagada y el cartucho de batería extraído antes de realizar cualquier ajuste o comprobación en esta.

Instalación o desmontaje del cartucho de batería (Fig. 1)

⚠️ PRECAUCIÓN:

- Apague siempre la herramienta antes de instalar o desmontar el cartucho de batería.
- **Sostenga con firmeza la herramienta y el cartucho de batería al instalar o desmontar el cartucho de batería.** El no sostener la herramienta y el cartucho de batería con firmeza puede hacer que se resbalen de sus manos y dar lugar a daños en la herramienta y en el cartucho de batería y una lesión personal.

Para quitar el cartucho de batería, deslícelo de la herramienta mientras desliza el botón que se encuentra en la parte delantera del cartucho.

Para colocar el cartucho de batería, alinee la lengüeta sobre el cartucho de batería con la ranura en la carcasa y deslice en su lugar. Inserte por completo hasta que se fije en su lugar con un pequeño clic. Si puede ver el indicador rojo del lado superior del botón, esto indica que no ha quedado fijo por completo.

⚠️ PRECAUCIÓN:

- Siempre instale el cartucho de batería por completo hasta que el indicador rojo no pueda verse. Si no es así, podría accidentalmente salirse de la herramienta y caer al suelo, y causarle una lesión a usted o a alguien a su alrededor.
- No emplee fuerza al colocar el cartucho de batería. Si el cartucho no se desliza al interior fácilmente, será porque no se está insertando correctamente.

Sistema de protección de batería (batería de ión de litio con marca de estrella) (Fig. 2)

Las baterías de ión de litio con una marca de estrella están equipadas con un sistema de protección. Este sistema corta en forma automática el suministro de energía a la herramienta para prolongar la vida útil de la batería.

La herramienta se detendrá automáticamente durante el funcionamiento si la herramienta y/o la batería se someten a una de las siguientes condiciones:

- Sobrecarga:
La herramienta se está utilizando de una manera que causa que consuma una cantidad de corriente inusualmente alta.
En este caso, suelte el interruptor a gatillo y detenga la aplicación que causó que la herramienta se

sobrecargara. Luego hale otra vez el interruptor a gatillo para reiniciar.

Si la herramienta no empieza a funcionar, significa que la batería se sobrecalentó. En este caso, espere a que la batería se enfríe antes de halar el interruptor a gatillo nuevamente.

- Bajo voltaje de la batería:
La capacidad restante de la batería es demasiado baja y la herramienta no funcionará. En este caso, extraiga la batería y vuelva a cargarla.

El uso de baterías no genuinas Makita o baterías que han sido alteradas invalidará la garantía de la herramienta Makita y cargador.

PROCEDIMIENTO OPERATIVO

Lea, comprenda y siga todas las instrucciones de seguridad y los procedimientos operativos. Si no entiende las instrucciones o si las condiciones no son correctas para la operación adecuada, no opere esta herramienta. Consulte a su supervisor o a otra persona responsable.

⚠️ ADVERTENCIA:

- Antes de insertar la Batería en la herramienta, hale y suelte el interruptor a gatillo para garantizar que regrese al soltarse.

El motor se enciende cuando se hala el interruptor a gatillo y se apaga al soltarlo.

Operación de bloqueador de interruptor (Fig. 3)

- Pulse el bloqueador de interruptor en el lado A. Se desbloquea el bloqueador y el interruptor puede operarse.
- Pulse el bloqueador de interruptor en el lado B. Se bloquea el bloqueador y el interruptor no puede operarse.

⚠️ PRECAUCIÓN:

- El interruptor a gatillo debe bloquearse en todo momento cuando no se está usando.

⚠️ ADVERTENCIA:

- Antes de operarse, confirme que la posición del operador con respecto a la herramienta y el área circundante sea segura antes de la operación. Utilice gafas de seguridad y ropa protectora.
- Revise las especificaciones de herramientas de este manual y no corte la barra de refuerzo si su tamaño o dureza excede la capacidad de corte de la herramienta.
- No corte ningún material excepto barras de refuerzo. Por favor consulte al fabricante si desea cortar otros materiales.

⚠️ ADVERTENCIA:

- Reemplace cuchillas dañadas (con grietas, roturas o fragmentadas) o con deformidades, de manera inmediata. La cuchilla no cortará bien y podría fracturarse o romperse y producir graves lesiones personales.

Procedimiento de corte

⚠ ADVERTENCIA

- **Nunca utilice la herramienta sin colocarse el protector.** Si no se coloca el protector, se podrían producir graves lesiones personales. **(Fig. 4)**
1. Coloque la barra de refuerzo o varilla para cortarlas entre las cuchillas. **(Fig. 5)**
Ajuste el perno de anclaje según el diámetro de la barra que se cortará, con el fin de que esta esté a 90 grados de las cuchillas. El perno de anclaje sostiene la barra y la mantiene perpendicular con respecto a las cuchillas cuando se corta. **(Fig. 6)**

⚠ ADVERTENCIA

- Cuando corte la barra, ajuste el perno de anclaje según el diámetro de la barra que se cortará, con el fin de que esta esté a 90 grados de las cuchillas. Sin este ajuste, la pieza cortada puede salir disparada y causar graves lesiones al operador o a los transeúntes. Nunca deje de revisar la posición del operador con respecto a la herramienta y siempre confirme la seguridad del operador y del área circundante.
2. Coloque la barra que se cortará para que esté por completo entre las cuchillas. **(Fig. 7)**

⚠ ADVERTENCIA

- Si no se coloca por completo la barra entre las cuchillas, estas pueden dañarse. Además se expulsará violentamente la barra y podría causar graves lesiones personales.

⚠ ADVERTENCIA

- No corte la barra cuando la pieza resultante tendrá una longitud menor a 200 mm. Si corta una longitud menor, esto podría hacer que la barra salga disparada durante el corte y se podrían producir graves lesiones personales. **(Fig. 8)**

⚠ ADVERTENCIA

- No corte la barra si no se sostiene adecuadamente por el perno de anclaje. Cuando corte, sostenga la barra en el lado del perno de anclaje. **(Fig. 9)** Caso contrario, la pieza cortada puede salir disparada y causar graves lesiones al operador o a los transeúntes.
3. Pulse el bloqueador de interruptor en el lado A. Se desbloquea el bloqueador y el interruptor puede operarse.
 4. Presione el interruptor a gatillo para comenzar a realizar el corte. La varilla de la cortadora se desplazará hacia adelante para cortar la barra. Mantenga pulsado el interruptor hasta que la varilla de la cortadora se detenga en el extremo de su recorrido.
 5. Suelte el interruptor a gatillo cuando se complete el corte y la varilla de la cortadora se detenga en el extremo de su recorrido. De forma similar, la varilla de la cortadora no podrá moverse hacia adelante hasta que no regrese por completo a la posición inicial. Pulse el interruptor para iniciar el siguiente corte, solamente después de que la varilla de la cortadora regrese por completo a su posición inicial y se detenga.

⚠ ADVERTENCIA

- Cuando se corte una barra de una gran resistencia a la tracción, la pieza cortada puede salir disparada y producir graves lesiones al operador. Use gafas de seguridad y confirme que el área circundante esté segura antes de iniciar la operación. **(Fig. 10)**

⚠ ADVERTENCIA

- Mantenga las manos y cara alejadas de las cuchillas, los elementos que se mueven y el área de corte, durante la operación.
Quite la batería de la herramienta inmediatamente después del uso.

NOTA:

- Mantenga el hueco de aire en el extremo del soporte de barra libre de suciedad y escombros. El hueco de aire controla la presión interna y no debe obstruirse. **(Fig. 11)**

Función giratoria del motor (Fig. 12)

El cuerpo del motor puede girarse 360 grados, en cualquier dirección, durante el funcionamiento. Esta característica es especialmente útil cuando se trabaja en áreas estrechas o de forma rara, porque permite que el operador coloque la herramienta en la mejor posición, para operarla fácilmente.

Operación de la válvula de retorno (Fig. 13)

La función de la válvula de retorno es permitir que la varilla de la cortadora regrese a la posición inicial si no puede completar el corte o se obstruyera. Esto soltará la presión del aceite y permitirá que la varilla de la cortadora regrese a su posición. Vuelva a apretar la válvula de retorno cuando haya regresado la varilla de la cortadora a la posición y antes de comenzar la siguiente operación.

PROCEDIMIENTO DE REEMPLAZO DE CUCHILLAS

Si los bordes de corte de las cuchillas están rotos, agrietados, deformes o dañados de alguna manera, disminuirá su capacidad de corte. Si corta algo en tales condiciones, esto podría causar daños adicionales y producir lesiones personales. Se deben reemplazar las cuchillas como un conjunto, de forma inmediata, si se percibe cualquier daño.

⚠ ADVERTENCIA

- Cuando se reemplacen las cuchillas, asegúrese de que se ha retirado la batería de la herramienta para evitar su operación accidental.

Asegúrese que la Cuchilla A, en el soporte de barra, y la Cuchilla B, en la varilla de la cortadora, se coloquen en sus posiciones correctas respectivas. **(Fig. 14)**

1. Quite los pernos y las arandelas que sostienen las cuchillas A y B.
2. Quite la suciedad y limpie las superficies en donde se deben colocar las cuchillas nuevas.
3. Coloque la cuchilla A en el soporte de barra y la cuchilla B en la varilla de la cortadora. Coloque nuevamente las arandelas y pernos y ajústelos firmemente.

⚠ ADVERTENCIA

- Se deben ajustar periódicamente los pernos que sostienen las cuchillas A y B. Si los pernos se aflojan, se pueden dañar las cuchillas y causar lesiones personales.

Tipo de cuchilla de repuesto y parte desprendible (Fig. 15)

Asegúrese que los pernos estén ajustados firmemente. Confirme periódicamente que se ajuste adecuadamente la cuchilla.

Tamaño de cuchilla de repuesto

● Utilice este cuadro para identificar las cuchillas correctas para su modelo.

Modelo	A (se coloca en el soporte de barra)	B (se coloca en la varilla de cortadora)
XCS01 (ø3 - ø20)	28 mm×20 mm×11.5 mm (tamaño del perno 6 mm) 1-1/8 pulg. × 13/16 pulg. × 7/16 pulg. (tamaño del perno 1/4 pulg.)	26 mm×20 mm×10 mm (tamaño del perno 5 mm) 1 pulg. × 13/16 pulg. × 3/8 pulg. (tamaño del perno 3/16 pulg.)

NOTA:

- Utilice solo cuchillas genuinas Makita.

CÓMO AÑADIR ACEITE

Esta cortadora inalámbrica de barras es electro-hidráulica. Cuando se envió de la fábrica, estaba llena de aceite. Si la herramienta funciona bien, no intente agregar aceite. Después de un período, el nivel del aceite disminuirá gradualmente. A la larga, esto hará que disminuya el nivel de rendimiento. Cuando esto ocurra, agregue aceite de la manera indicada a continuación.

1. Coloque alguna barra entre las cuchillas y active el interruptor a gatillo.
2. Suelte el interruptor a gatillo justo antes de que se complete el corte, con el fin de detener la herramienta.
3. Quite la batería de la herramienta, para que no se puedan mover accidentalmente las cuchillas.
4. Retire el perno (SB10x15) que tapa el hueco de relleno de aceite. Agregue el aceite, y tenga cuidado de no regar nada del aceite en el motor.
5. Reemplace el perno (SB10x15) y ajuste firmemente.
6. Vuelva a insertar la batería en la herramienta y concluya las operaciones de corte.
7. Repita el procedimiento anterior varias veces hasta que el nivel de aceite se mantenga correcto.

⚠ PRECAUCIÓN

- En esta herramienta, se debe usar solamente aceite hidráulico puro tal como lo recomienda Makita & Company Ltd. Los aceites recomendados incluyen el aceite hidráulico suministrado por Makita, Super Hyrando #46 (JX Nippon Oil & Energy Corp.); Shell Tellus Plus #46 (U.S. Shell); o aceite hidráulico antidesgaste equivalente según espec., ISO de viscosidad de Grado 46. No utilice otros aceites que podrían causar daños en los sellos y otras partes internas de la herramienta.

RESOLUCIÓN DE PROBLEMAS

ADVERTENCIA:

- Retire la batería antes de trabajar en la herramienta.

PROBLEMA	CAUSA	SOLUCIÓN
No se prolonga la varilla de la cortadora.	Insuficiente aceite	Llene el aceite. (Revise la sección "Cómo añadir aceite".)
	La varilla de la cortadora no ha regresado por completo debido a la acumulación de escombros entre la varilla de la cortadora y el soporte de la barra.	Empuje manualmente hacia atrás la varilla de la cortadora. Quite los escombros y límpiela.
	La varilla de la cortadora no ha regresado a la posición debido a daños en esta.	Reemplace la varilla de la cortadora.
	La varilla de la cortadora no ha regresado a la posición debido a cuchillas sueltas o dañadas.	Ajuste los pernos de la cuchilla. Reemplace las cuchillas.
	La varilla de la cortadora no ha regresado a la posición debido a un resorte de retorno débil.	Reemplace el resorte de retorno.
No hay suficiente energía para cortar la barra.	Insuficiente aceite.	Llene el aceite. (Revise la sección "Cómo añadir aceite".)
	La válvula de retorno no está colocada adecuadamente o el lugar donde se coloca está dañado.	Limpie el extremo de la válvula de retorno y lugar de colocación. Quite cualquier daño del lugar de colocación.
	Si la válvula de retorno está dañada, reemplácela.	Reemplace.
	El espacio libre entre el cilindro y el pistón no es el correcto.	Reemplace el pistón. (Nota: hay distintos tamaños de pistones disponibles.)
	Revise la válvula de retorno, en caso de que no esté colocada adecuadamente o el lugar donde se coloca está dañado.	Limpie. Revise la válvula y lugar de colocación. Reemplace.
	Empaque de uretano dañado o roto.	Reemplace.
El aceite se filtra.	Ampolla de nivelación de aceite dañada o rota.	Reemplace.
	Varilla de cortadora / soporte de barra, junta tórica, dañados. Soporte de varilla o de barra, superficie con rasguños o ranuras.	Reemplace el anillo de apoyo o el anillo tórico. Reemplace la varilla de la cortadora o soporte de barra.
	Cilindro / soporte de barra, anillo tórico dañado.	Reemplace el anillo tórico.
	Cilindro / caja de bomba, empaque dañado.	Reemplace el revestimiento B.
	Cortadora de barra / cilindro / caja de bomba, pernos de brida sueltos.	Ajuste los pernos.
No se mueve el motor. El motor funciona lentamente o de manera errática.	Voltaje incorrecto.	Cargue la batería.
	La batería está al final de su vida útil.	Reemplace la batería.
	El motor CC se dañó por sobrecalentamiento.	Reemplace el motor CC.
	Cojinetes de motor CC o engranajes dañados o rotos.	Reemplace los cojinetes o engranajes.

NOTA:

- Los componentes internos del área de la bomba y pistón tienen tolerancias muy estrechas y son muy sensibles a daños causados por polvo, suciedad, contaminación del líquido hidráulico o manejo inadecuado. Para desmontar la carcasa de la bomba se requieren herramientas y capacitación especiales. Solamente personal calificado de reparaciones debe intentar estos desmontajes, si han recibido cursos adecuados y cuentan con las herramientas requeridas. Si se mantienen inadecuadamente los componentes eléctricos esto puede producir condiciones que podrían causar lesiones graves. La bomba, los componentes de pistón y todas las partes eléctricas deben mantenerse solo en talleres de reparación, distribuidores o centro de ventas autorizados.

MANTENIMIENTO

PRECAUCIÓN:

- Asegúrese siempre de que la herramienta esté apagada y el cartucho de batería extraído antes de intentar inspeccionarla o dar mantenimiento.
- Nunca use gasolina, bencina, diluyente (tíner), alcohol o sustancias similares. Puede que esto ocasione descoloramiento, deformación o agrietamiento.

Reemplazo de escobillas de carbón (Fig. 16)

Reemplácelas cuando se desgasten por debajo de la marca de límite. Mantenga limpias las escobillas de carbón y libres para colocar en los soportes. Ambas escobillas de carbón deben reemplazarse a la misma vez. Utilice solo escobillas de carbón idénticas.

Utilice un destornillador para retirar dos tornillos. Luego quite la tapa posterior. (Fig. 17)

Alce la parte del brazo del resorte y luego colóquelo en la cavidad de la carcasa con un destornillador plano (de broca) de eje delgado o similar. (Fig. 18)

Utilice pinzas para quitar las tapas de escobillas de carbón de estas. Retire las escobillas de carbón desgastadas. Inserte las nuevas y reemplace las tapas en reversa. (Fig. 19)

Asegúrese que las tapas de escobillas de carbón encajen bien en los huecos de sus soportes, de manera firme. (Fig. 20)

Vuelva a colocar la cubierta posterior y ajuste firmemente los dos tornillos. Para mantener la SEGURIDAD y FIABILIDAD del producto, las reparaciones, y cualquier otra tarea de mantenimiento o ajuste deberán ser realizadas en Centros de Servicio Autorizados por Makita, empleando siempre repuestos Makita.

ACCESORIOS OPCIONALES

PRECAUCIÓN:

- Estos accesorios o aditamentos se recomiendan para utilizar con la herramienta Makita especificada en este manual. El empleo de cualesquiera otros accesorios o acoplamientos conllevará un riesgo de sufrir heridas personales. Utilice los accesorios o acoplamientos solamente para su fin establecido.

Si necesita cualquier ayuda para obtener más detalles en relación con estos accesorios, pregunte a su centro de servicio Makita local.

- Batería y cargador genuinos de Makita

NOTA:

- Es posible que algunos de los artículos en la lista estén incluidos en el paquete de la herramienta como accesorios estándar. Puede que estos accesorios varíen de país a país.

GARANTÍA LIMITADA MAKITA DE UN AÑO

Política de garantía

Cada herramienta Makita es inspeccionada y probada exhaustivamente antes de salir de fábrica. Se garantiza que va a estar libre de defectos de mano de obra y

materiales por el periodo de UN AÑO a partir de la fecha de adquisición original. Si durante este periodo de un año se desarrollase algún problema, regrese la herramienta COMPLETA, porte pagado con antelación, a una de las fábricas o centros de servicio autorizados Makita. Si la inspección muestra que el problema ha sido causado por mano de obra o material defectuoso, Makita la reparará (o a nuestra opción, reemplazará) sin cargo.

Esta garantía no será aplicable cuando:

- se hayan hecho o intentado hacer reparaciones por terceros;
- se requieran reparaciones debido al desgaste normal;
- la herramienta haya sido usada incorrectamente, mal usada o mantenido indebidamente;
- se hayan alteraciones a la herramienta.

EN NINGÚN CASO MAKITA SE HARÁ RESPONSABLE DE NINGÚN DAÑO INDIRECTO, FORTUITO O CONSECUCIONAL DERIVADO DE LA VENTA O DEL USO DEL PRODUCTO. ESTE DESCARGO DE RESPONSABILIDAD SERÁ APLICABLE TANTO DURANTE COMO DESPUÉS DEL TÉRMINO DE ESTA GARANTÍA.

MAKITA RENUNCIA LA RESPONSABILIDAD POR CUALQUIER GARANTÍA IMPLÍCITA, INCLUYENDO GARANTÍAS IMPLÍCITAS DE "COMERCIALIDAD" E "IDONEIDAD PARA UN FIN ESPECÍFICO", DESPUÉS DEL TÉRMINO DE UN AÑO DE ESTA GARANTÍA. Esta garantía le concede a usted derechos legales específicos, y usted podrá tener también otros derechos que varían de un estado a otro. Algunos estados no permiten la exclusión o limitación de daños fortuitos o consecuenciales, por lo que es posible que la antedicha limitación o exclusión no le sea de aplicación a usted. Algunos estados no permiten la limitación sobre la duración de una garantía implícita, por lo que es posible que la antedicha limitación no le sea de aplicación a usted.

EN0006-1

WARNING

Some dust created by power sanding, sawing, grinding, drilling, and other construction activities contains chemicals known to the State of California to cause cancer, birth defects or other reproductive harm. Some examples of these chemicals are:

- lead from lead-based paints,
- crystalline silica from bricks and cement and other masonry products, and
- arsenic and chromium from chemically-treated lumber.

Your risk from these exposures varies, depending on how often you do this type of work. To reduce your exposure to these chemicals: work in a well ventilated area, and work with approved safety equipment, such as those dust masks that are specially designed to filter out microscopic particles.

< Sólo en los Estados Unidos >

ADVERTENCIA

Algunos polvos creados por el lijado, aserrado, esmerilado, taladrado y otras actividades de la construcción contienen sustancias químicas reconocidas por el Estado de California como causantes de cáncer, defectos de nacimiento y otros peligros de reproducción. Algunos ejemplos de estos productos químicos son:

- plomo de pinturas a base de plomo,
- sílice cristalino de ladrillos y cemento y otros productos de albañilería, y
- arsénico y cromo de maderas tratadas químicamente.

El riesgo al que se expone varía, dependiendo de la frecuencia con la que realice este tipo de trabajo. Para reducir la exposición a estos productos químicos: trabaje en un área bien ventilada y póngase el equipo de seguridad indicado, tal como las máscaras contra polvo que están especialmente diseñadas para filtrar partículas microscópicas.

Makita Corporation

3-11-8, Sumiyoshi-cho,
Anjo, Aichi 446-8502 Japan