

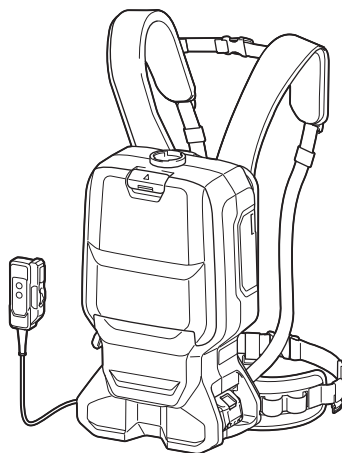
INSTRUCTION MANUAL  
MANUAL DE INSTRUCCIONES



# Cordless Backpack Vacuum Cleaner

## Aspiradora de mochila a batería

### XCV18



Read before use.  
Lea antes de usar.

## SPECIFICATIONS

<b>Model:</b>		<b>XCV18</b>
Capacity	Filter bag	6.0 L (1.6 gal.)
	Dust bag	5.5 L (1.5 gal.)
Maximum air volume (With hose $\varnothing$ 28 mm (1-1/8") x 1.5 m (59"))		1.8 m <sup>3</sup> /min (63.6 cu.ft/min)
Vacuum		110 hPa
Dimensions (L x W x H) (excluding the harness)		297 mm x 174 mm x 523 mm (11-3/4" x 6-7/8" x 20-5/8")
Rated voltage		D.C. 36 V
Net weight		6.1 - 6.7 kg (13.5 - 14.9 lbs)

- Due to our continuing program of research and development, the specifications herein are subject to change without notice.
- Specifications may differ from country to country.
- The weight does not include accessories but battery cartridge(s). The lightest and heaviest combination weight of the appliance and battery cartridge(s) are shown in the table.

## Applicable battery cartridge and charger

Battery cartridge	BL1815N / BL1820B / BL1830 / BL1830B / BL1840B / BL1850B / BL1860B
Charger	DC18RC / DC18RD / DC18RE / DC18SD / DC18SE / DC18SF

- Some of the battery cartridges and chargers listed above may not be available depending on your region of residence.

**⚠ WARNING: Only use the battery cartridges and chargers listed above.** Use of any other battery cartridges and chargers may cause injury and/or fire.

## SAFETY WARNINGS

# IMPORTANT SAFETY INSTRUCTIONS

When using an electrical appliance, basic precautions should always be followed, including the following:

**READ ALL  
INSTRUCTIONS  
BEFORE USING  
THIS APPLIANCE.**

## WARNING

To reduce the risk of fire, electric shock or injury:

1. **Do not leave appliance when battery fitted. Remove battery from appliance when not in use and before servicing.**
2. **Do not use on wet surfaces. Do not expose to rain. Store indoors.**
3. **Do not allow to be used as a toy. Close attention is necessary when used by or near children.**
4. **Use only as described in this manual. Use only manufacturer's recommended attachments.**
5. **Do not use with damaged battery. If appliance is not working as it should, has been dropped, damaged, left outdoors, or dropped into water, return it to a service center.**

6. **Do not handle appliance with wet hands.**
7. **Do not put any object into openings. Do not use with any opening blocked; keep free of dust, lint, hair, and anything that may reduce air flow.**
8. **Keep hair, loose clothing, fingers, and all parts of body away from openings and moving parts.**
9. **Turn off all controls before removing the battery cartridge.**
10. **Use extra care when cleaning on stairs.**
11. **Do not use to pick up flammable or combustible liquids, such as gasoline, or use in areas where they may be present.**
12. **Do not pick up anything that is burning or smoking, such as cigarettes, matches, or hot ashes.**
13. **Do not use without dust collecting bag in place.**
14. **Do not charge the battery outdoors.**
15. **Prevent unintentional starting. Ensure the switch is in the off-position before connecting to battery pack, picking up or carrying the appliance.** Carrying the appliance with your finger on the switch or energizing appliance that have the switch on invites accidents.
16. **Disconnect the battery pack from the appliance before making any adjustments, changing accessories, or storing appliance.** Such preventive safety measures reduce the risk of starting the appliance accidentally.
17. **Recharge only with the charger specified by the manufacturer.** A charger that is suitable for one type of battery pack may create a risk of fire when used with another battery pack.
18. **Use appliances only with specifically designated battery packs.** Use of any other battery packs may create a risk of injury and fire.
19. **When battery pack is not in use, keep it away from other metal objects, like paper clips, coins, keys, nails, screws or other small metal objects, that can make a connection from one terminal to another.** Shorting the battery terminals together may cause burns or a fire.
20. **Under abusive conditions, liquid may be ejected from the battery; avoid contact. If contact accidentally occurs, flush with water. If liquid contacts eyes, additionally seek medical help.** Liquid ejected from the battery may cause irritation or burns.
21. **Do not use a battery pack or appliance that is damaged or modified. Damaged or modified batteries may exhibit unpredictable behaviour resulting in fire, explosion or risk of injury.**
22. **Do not expose a battery pack or appliance to fire or excessive temperature. Exposure to fire or temperature above 130 °C may cause explosion.**
23. **Follow all charging instructions and do not charge the battery pack or appliance outside of the temperature range specified in the instructions.** Charging improperly or at temperatures outside of the specified range may damage the battery and increase the risk of fire.
24. **Have servicing performed by a qualified repair person using only identical replacement parts.** This will ensure that the safety of the product is maintained.
25. **Do not modify or attempt to repair the appliance or the battery pack except as indicated in the instructions for use and care.**

## **SAVE THESE INSTRUCTIONS.**

**This appliance is intended for commercial use.**

# ADDITIONAL SAFETY RULES

1. Read this instruction manual and the charger instruction manual carefully before use.
2. Do not vacuum the following:
  - Flammable liquid (kerosene, gasoline, solvents such as benzene, thinner, etc.)
  - Hot substances that are burning or smoking (cigarettes, matches, incense sticks, candles, hot ashes), sparks and metal dust generated by cutting or grinding metal, etc.
  - Flammable material (toner, paint, spray, etc.)
  - Foam like carpet cleaning agent, etc. (they may cause explosion or fire)
  - Explosive or pyrophoric substances (nitroglycerin, aluminum, magnesium, titanium, zinc, red phosphorus, yellow phosphorus, celluloid, etc. and their dust, gas or steam)
  - Sharp objects (glass, cutlery, wood splinter, metal, stone, nail, razor, push pin, etc.)
  - Solidifying and conductive fine powder (metal or carbon powder)
  - Dehumidifier
  - Large amount of powder (flour, fire extinguisher powder, etc.)
  - Substances that cause toxic symptoms
  - Aggressive chemicals (acid, leach, etc.)
  - Liquid or damp garbage, including vomit and excreta
  - Asbestos
  - Pesticides

Such action may cause fire, injury and/or property damage.

To reduce your exposure to these chemicals, always wear approved respiratory protection such as dust masks that are specially designed to filter out microscopic particles. Direct the exhaust air away from your face and body.

- NOTE:** Read the OSHA regulation on silica dust to understand the requirements needed to reduce exposure to silica dust at the job-site. Specific rules apply to the drilling, demolition cutting and grinding materials that contain silica. All OSHA requirements regarding reducing silica dust can be found at the OSHA website: [www.osha.gov](http://www.osha.gov).
3. Stop operation immediately if you notice anything abnormal.
  4. If you drop or strike the cleaner, check it carefully for cracks or damage before operation.
  5. Do not bring close to stoves or other heat sources.
  6. Do not block the intake hole or vent holes.

## Battery tool use and care

1. **Prevent unintentional starting.** Ensure the switch is in the off-position before connecting to battery pack, picking up or carrying the appliance. Carrying the appliance with your finger on the switch or energizing appliance that have the switch on invites accidents.
2. **Disconnect the battery pack from the appliance before making any adjustments, changing accessories, or storing appliance.** Such preventive safety measures reduce the risk of starting the appliance accidentally.
3. **Recharge only with the charger specified by the manufacturer.** A charger that is suitable for one type of battery pack may create a risk of fire when used with another battery pack.
4. **Use appliances only with specifically designated battery packs.** Use of any other battery packs may create a risk of injury and fire.
5. **When battery pack is not in use, keep it away from other metal objects, like paper clips, coins, keys, nails, screws or other small metal objects, that can make a connection from one terminal to another.** Shorting the battery terminals together may cause burns or a fire.

6. **Under abusive conditions, liquid may be ejected from the battery; avoid contact. If contact accidentally occurs, flush with water. If liquid contacts eyes, additionally seek medical help.** Liquid ejected from the battery may cause irritation or burns.
7. **Do not use a battery pack or appliance that is damaged or modified. Damaged or modified batteries may exhibit unpredictable behavior resulting in fire, explosion or risk of injury.**
8. **Do not expose a battery pack or appliance to fire or excessive temperature. Exposure to fire or temperature above 130 °C may cause explosion.**
9. **Follow all charging instructions and do not charge the battery pack or appliance outside of the temperature range specified in the instructions.** Charging improperly or at temperatures outside of the specified range may damage the battery and increase the risk of fire.
10. **Have servicing performed by a qualified repair person using only identical replacement parts.** This will ensure that the safety of the product is maintained.
11. **Do not modify or attempt to repair the appliance or the battery pack except as indicated in the instructions for use and care.**

## Symbols

The followings show the symbols used for tool.

V	volts
— — —	direct current

## Important safety instructions for battery cartridge

1. **Before using battery cartridge, read all instructions and cautionary markings on (1) battery charger, (2) battery, and (3) product using battery.**
2. **Do not disassemble battery cartridge.**
3. **If operating time has become excessively shorter, stop operating immediately. It may result in a risk of overheating, possible burns and even an explosion.**
4. **If electrolyte gets into your eyes, rinse them out with clear water and seek medical attention right away. It may result in loss of your eyesight.**
5. **Do not short the battery cartridge:**
  - (1) **Do not touch the terminals with any conductive material.**
  - (2) **Avoid storing battery cartridge in a container with other metal objects such as nails, coins, etc.**
  - (3) **Do not expose battery cartridge to water or rain.**

**A battery short can cause a large current flow, overheating, possible burns and even a breakdown.**

6. **Do not store the tool and battery cartridge in locations where the temperature may reach or exceed 50 °C (122 °F).**
7. **Do not incinerate the battery cartridge even if it is severely damaged or is completely worn out. The battery cartridge can explode in a fire.**
8. **Be careful not to drop or strike battery.**
9. **Do not use a damaged battery.**
10. **The contained lithium-ion batteries are subject to the Dangerous Goods Legislation requirements. For commercial transports e.g. by third parties, forwarding agents, special requirement on packaging and labeling must be observed. For preparation of the item being shipped, consulting an expert for hazardous material is required. Please also observe possibly more detailed national regulations.**

**Tape or mask off open contacts and pack up the battery in such a manner that it cannot move around in the packaging.**

11. **Follow your local regulations relating to disposal of battery.**
12. **When disposing the battery cartridge, remove it from the tool and dispose of it in a safe place.**
13. **Use the batteries only with the products specified by Makita.** Installing the batteries to non-compliant products may result in a fire, excessive heat, explosion, or leak of electrolyte.
14. **If the tool is not used for a long period of time, the battery must be removed from the tool.**

## SAVE THESE INSTRUCTIONS.

**⚠CAUTION:** Only use genuine Makita batteries. Use of non-genuine Makita batteries, or batteries that have been altered, may result in the battery bursting causing fires, personal injury and damage. It will also void the Makita warranty for the Makita tool and charger.

### Tips for maintaining maximum battery life

1. **Charge the battery cartridge before completely discharged. Always stop tool operation and charge the battery cartridge when you notice less tool power.**
2. **Never recharge a fully charged battery cartridge. Overcharging shortens the battery service life.**
3. **Charge the battery cartridge with room temperature at 10 °C - 40 °C (50 °F - 104 °F). Let a hot battery cartridge cool down before charging it.**
4. **Charge the battery cartridge if you do not use it for a long period (more than six months).**

### Important safety instructions for wireless unit

1. **Do not disassemble or tamper with the wireless unit.**
2. **Keep the wireless unit away from young children. If accidentally swallowed, seek medical attention immediately.**
3. **Use the wireless unit only with Makita tools.**
4. **Do not expose the wireless unit to rain or wet conditions.**
5. **Do not use the wireless unit in places where the temperature exceeds 50°C (122°F).**

6. **Do not operate the wireless unit in places where medical instruments, such as heart pace makers are nearby.**
7. **Do not operate the wireless unit in places where automated devices are nearby.** If operated, automated devices may develop malfunction or error.
8. **Do not operate the wireless unit in places under high temperature or places where static electricity or electrical noise could be generated.**
9. **The wireless unit can produce electromagnetic fields (EMF) but they are not harmful to the user.**
10. **The wireless unit is an accurate instrument. Be careful not to drop or strike the wireless unit.**
11. **Avoid touching the terminal of the wireless unit with bare hands or metallic materials.**
12. **Always remove the battery on the product when installing the wireless unit into it.**
13. **When opening the lid of the slot, avoid the place where dust and water may come into the slot. Always keep the inlet of the slot clean.**
14. **Always insert the wireless unit in the correct direction.**
15. **Do not press the wireless activation button on the wireless unit too hard and/or press the button with an object with a sharp edge.**
16. **Always close the lid of the slot when operating.**
17. **Do not remove the wireless unit from the slot while the power is being supplied to the tool. Doing so may cause a malfunction of the wireless unit.**
18. **Do not remove the sticker on the wireless unit.**
19. **Do not put any sticker on the wireless unit.**
20. **Do not leave the wireless unit in a place where static electricity or electrical noise could be generated.**
21. **Do not leave the wireless unit in a place subject to high heat, such as a car sitting in the sun.**
22. **Do not leave the wireless unit in a dusty or powdery place or in a place corrosive gas could be generated.**
23. **Sudden change of the temperature may bedew the wireless unit. Do not use the wireless unit until the dew is completely dried.**
24. **When cleaning the wireless unit, gently wipe with a dry soft cloth. Do not use benzine, thinner, conductive grease or the like.**
25. **When storing the wireless unit, keep it in the supplied case or a static-free container.**
26. **Do not insert any devices other than Makita wireless unit into the slot on the tool.**
27. **Do not use the tool with the lid of the slot damaged. Water, dust, and dirt come into the slot may cause malfunction.**
28. **Do not pull and/or twist the lid of the slot more than necessary. Restore the lid if it comes off from the tool.**
29. **Replace the lid of the slot if it is lost or damaged.**

## SAVE THESE INSTRUCTIONS.

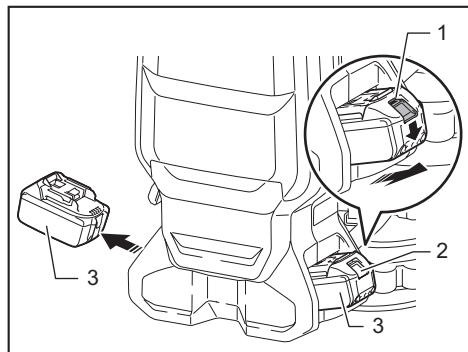
## FUNCTIONAL DESCRIPTION

**⚠ CAUTION:** Always be sure that the appliance is switched off and the battery cartridge is removed before adjusting or checking function on the appliance.

### Installing or removing battery cartridge

**⚠ CAUTION:** Always switch off the appliance before installing or removing of the battery cartridge.

**⚠ CAUTION:** Hold the appliance and the battery cartridge firmly when installing or removing battery cartridge. Failure to hold the appliance and the battery cartridge firmly may cause them to slip off your hands and result in damage to the appliance and battery cartridge and a personal injury.



► 1. Red indicator 2. Button 3. Battery cartridge

To remove the battery cartridge, slide it from the appliance while sliding the button on the front of the cartridge.

To install the battery cartridge, align the tongue on the battery cartridge with the groove in the housing and slip it into place. Insert it all the way until it locks in place with a little click. If you can see the red indicator on the upper side of the button, it is not locked completely.

**⚠ CAUTION:** Always install the battery cartridge fully until the red indicator cannot be seen. If not, it may accidentally fall out of the appliance, causing injury to you or someone around you.

**⚠ CAUTION:** Do not install the battery cartridge forcibly. If the cartridge does not slide in easily, it is not being inserted correctly.

## Appliance / battery protection system

The appliance is equipped with a appliance / battery protection system. This system automatically cuts off power to the motor to extend appliance and battery life. The appliance will automatically stop during operation if the appliance or battery is placed under one of the following conditions.

### Overload protection

When the appliance is operated in a manner that causes it to draw an abnormally high current, the appliance automatically stops without any indication. In this situation, turn the appliance off and stop the application that caused the appliance to become overloaded. Then turn the appliance on to restart.

### Overheat protection

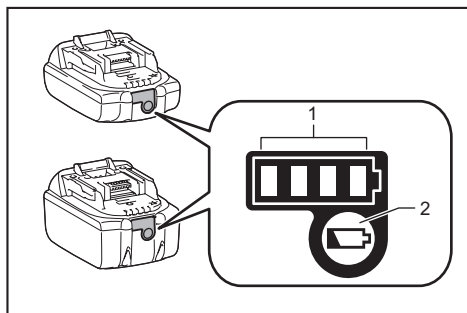
When the appliance is overheated, the appliance stops automatically. Let the appliance cool down before turning the appliance on again.

### Overdischarge protection

When the battery capacity becomes low, the appliance stops automatically. If the product does not operate even when the switches are operated, remove the batteries from the appliance and charge the batteries.

## Indicating the remaining battery capacity

*Only for battery cartridges with the indicator*



► 1. Indicator lamps 2. Check button

Press the check button on the battery cartridge to indicate the remaining battery capacity. The indicator lamps light up for a few seconds.

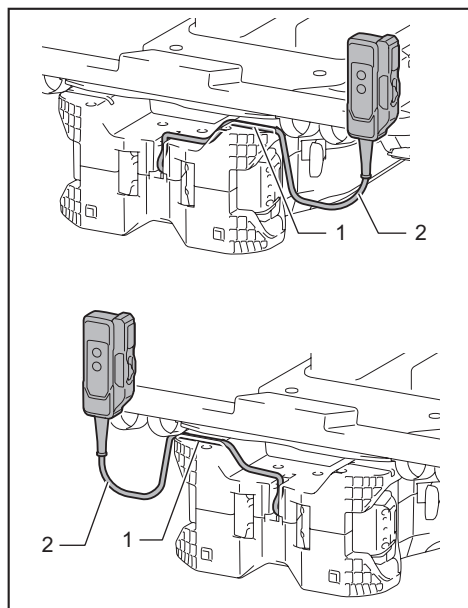


Indicator lamps			Remaining capacity
Lighted	Off	Blinking	
■	□	▧	75% to 100%
■ ■ ■ ■			
■ ■ ■ ■	□		50% to 75%
■ ■ ■ ■	□ □		25% to 50%
■ ■ ■ ■	□ □ □ □		0% to 25%
▧	□ □ □ □		Charge the battery.
■ ■ ■ ■	□ □ □ □		The battery may have malfunctioned.
□ □ □ □	■ ■ ■ ■	↑ ↓	

**NOTE:** Depending on the conditions of use and the ambient temperature, the indication may differ slightly from the actual capacity.

## Switch box position

The switch box can be hooked on either side of the lower belt. Arrange the cord so that the switch box comes to your desired side. To prevent the cord from being damaged, pass the cord through the groove as illustrated.

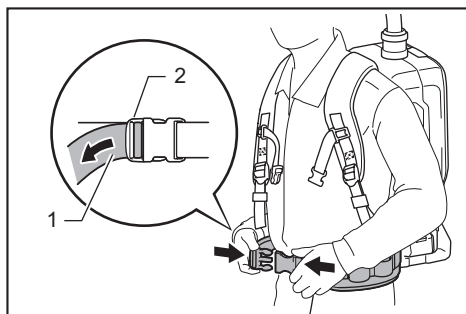


► 1. Groove 2. Cord

## Adjusting belts

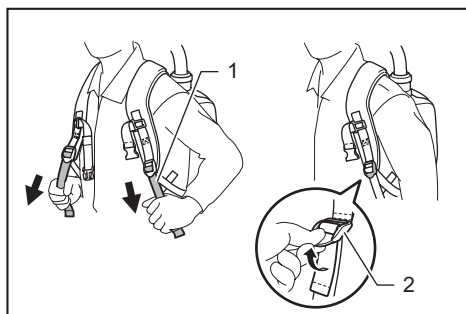
The tightness of the shoulder belts, upper and lower belts can be adjusted. Put your arms through the shoulder belts first then fasten the lower and upper belts. To tighten, pull the end of the strap as illustrated. To loosen, pull up the end of the fastener.

### Lower belt



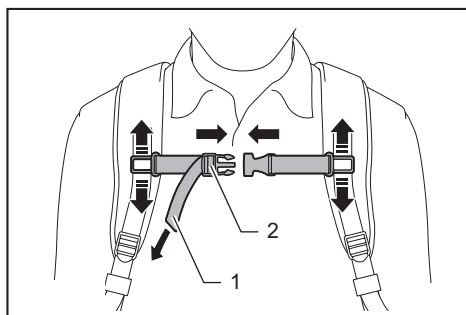
► 1. Strap 2. Fastener

### Shoulder belts



► 1. Strap 2. Fastener

### Upper belt

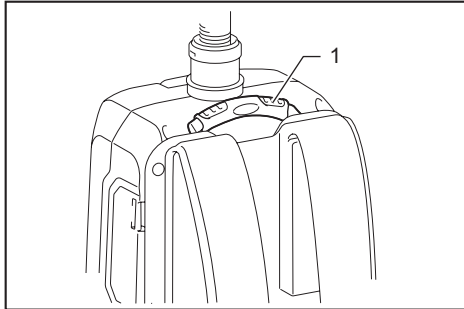


► 1. Strap 2. Fastener



## Carrying hook

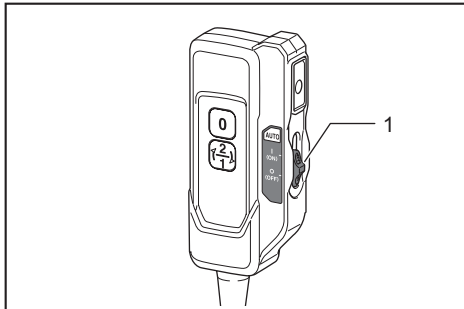
Always grab the carrying hook when handling the vacuum cleaner body.



► 1. Carrying hook

## Stand-by switch

The stand-by switch is the switch to turn on/off the wireless activation function. The vacuum cleaner is in the stand-by state regardless of the switch position and it runs when (2/1) button is pushed.

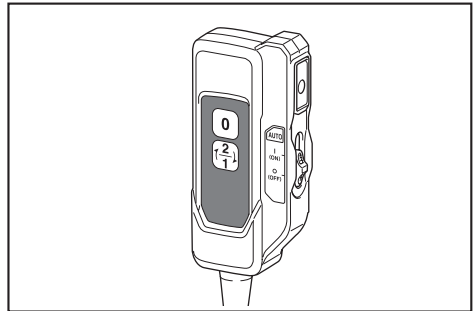


► 1. Stand-by switch

Switch position	Status
AUTO	I (ON) The vacuum cleaner is in the stand-by state and the wireless activation function is available.
	O (OFF) The vacuum cleaner is in the stand-by state however the wireless activation function is not available.

## Switch action

To start vacuuming, press (2/1) button once. The vacuum cleaner will start in the same suction power when you turned it off previously. When you press (2/1) button while the vacuum cleaner is running, the suction power switches between normal (1) and higher (2) suction power. To turn off the vacuum cleaner, press (0) button.



**NOTE:** If you want to run the vacuum cleaner along with the switch operation of the tool connected to the vacuum cleaner (wireless activation function), set the stand-by switch to "I (ON)".

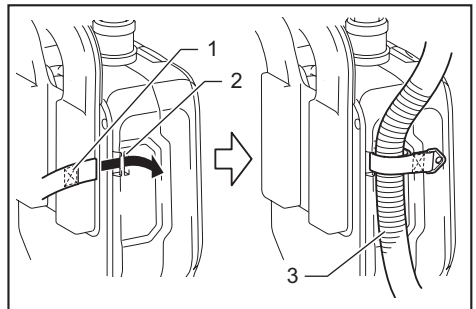
**NOTE:** To use the wireless activation function, finish the tool registration beforehand. Refer to "WIRELESS ACTIVATION FUNCTION" section for detail.

**NOTE:** When using the wireless activation function, you will not be able to stop the vacuuming by (0) button.

## Hose band

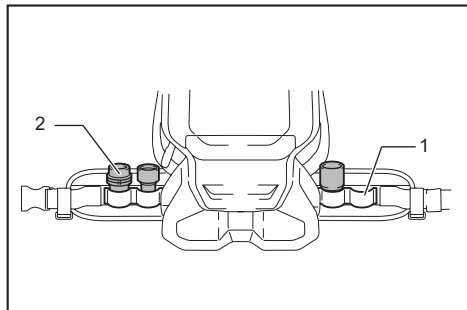
Hose band can be used for holding the hose or free nozzle.

To secure the hose to the vacuum cleaner body, pass the hose band through the slot on the body. You can attach the hose band on either side.



► 1. Hose band 2. Slot 3. Hose

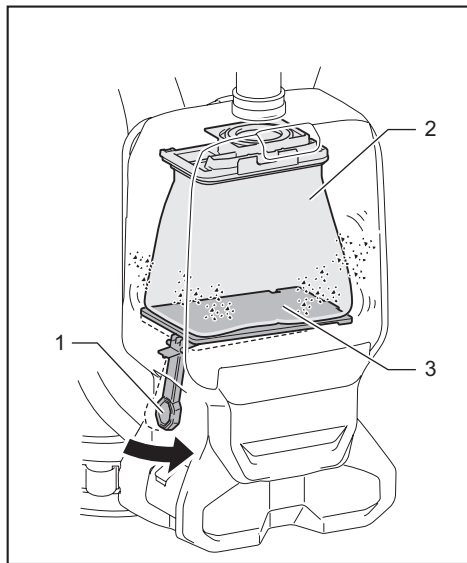
The loop on the lower belt can be used for carrying nozzles as illustrated.



► 1. Loop 2. Nozzles

## Dust beating system

Dust goes down when you pull the lever or walk with wearing the cleaner. This system helps the cleaner maintaining the suction power.



► 1. Lever 2. Filter bag/dust bag 3. Board

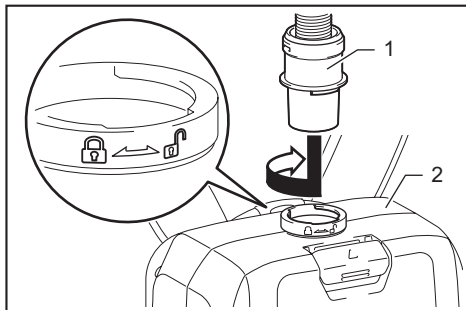
**NOTE:** This function works when the cleaner is switched off and the filter bag/dust bag contains a certain amount of dust to touch the board.

## ASSEMBLY

**⚠ CAUTION:** Always be sure that the appliance is switched off and the battery cartridge is removed before carrying out any work on the appliance.

## Assembling hose

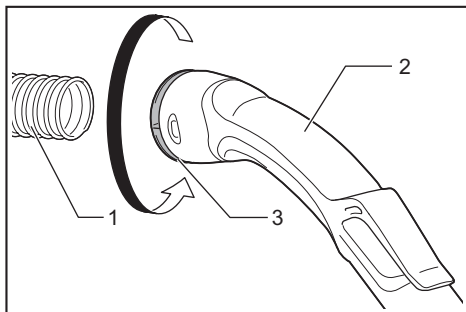
Insert the hose cuff into the vacuum cleaner body and turn it clockwise.



► 1. Hose cuff 2. Vacuum cleaner body

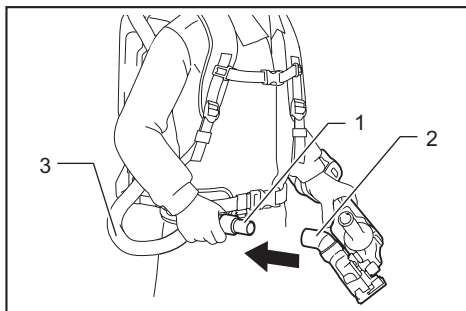
## Connecting the tool

If the bent pipe assembly is attached to the hose, loosen the sleeve of bent pipe assembly and remove it.



► 1. Hose 2. Bent pipe assembly 3. Sleeve

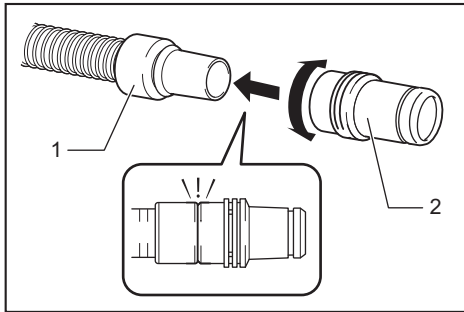
1. Attach the front cuff to the hose for dust extraction. When connecting the front cuff, make sure that it is securely screwed on the hose.
2. Connect the front cuff to the tool's extraction outlet.



► 1. Front cuff 2. Extraction outlet 3. Hose

The front cuff can be detached by turning it counter-clockwise while holding the hose.

**NOTE:** Always use a suitable front cuff. When using the front cuff 24, attach it to the front cuff 22 that is connected to the hose.



► 1. Front cuff 22 2. Front cuff 24

## Using as a cleaner

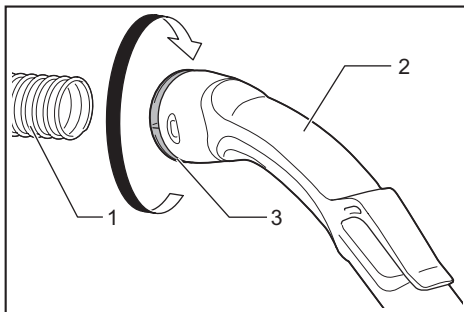
If you want to use this product as a cleaner, follow the below procedures.

**NOTICE:** If the front cuff is attached to the hose, remove it beforehand.

**NOTE:** The bent pipe assembly, extension wand, and nozzles are supplied as optional accessories in some countries.

**NOTE:** There are two types of bent pipe assembly; the one for slide-type extension wand and the one for ring-type extension wand. If you prepare the bent pipe assembly, choose the one for your desired extension wand type.

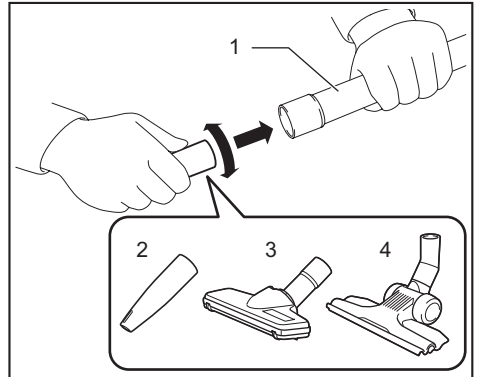
1. Fasten the sleeve of bent pipe assembly onto the hose.



► 1. Hose 2. Bent pipe assembly 3. Sleeve

To remove the bent pipe assembly, loosen the sleeve of bent pipe assembly from the hose.

2. Twist and insert the nozzle to the extension wand.



► 1. Extension wand 2. Free nozzle 3. T-shape nozzle 4. T-shape nozzle (slim)

**NOTE:** By twisting the nozzle while inserting, the nozzle can be attached to the extension wand securely.

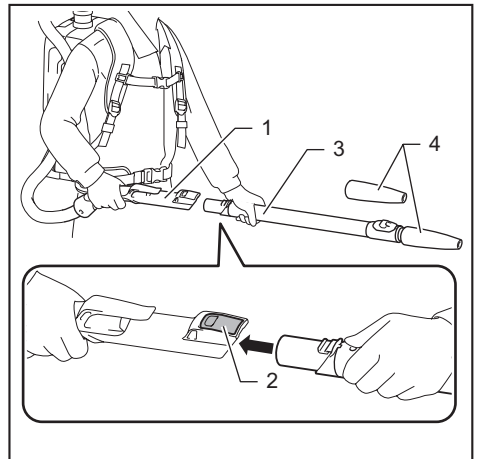
3. Follow the procedures below, depending on the type of the extension wand :

**NOTE:** The slide-type extension wand and the ring-type extension wand are not compatible with each other. If you want to change the slide-type extension wand to the ring-type extension wand or vice versa, change the bent pipe assembly also.

**NOTE:** The free nozzle can be attached to the bent pipe assembly directly.

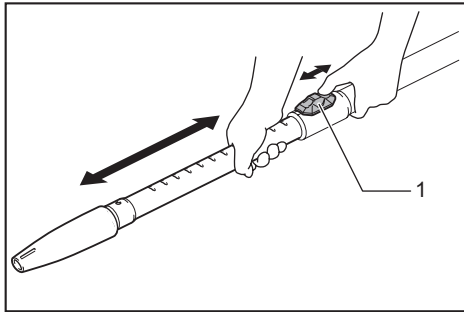
### For the slide-type extension wand

Shoulder the vacuum cleaner body then insert the extension wand into the bent pipe assembly until it clicks. To disconnect, extract the extension wand with pressing the button.



► 1. Bent pipe assembly 2. Button 3. Slide-type extension wand 4. Free nozzle

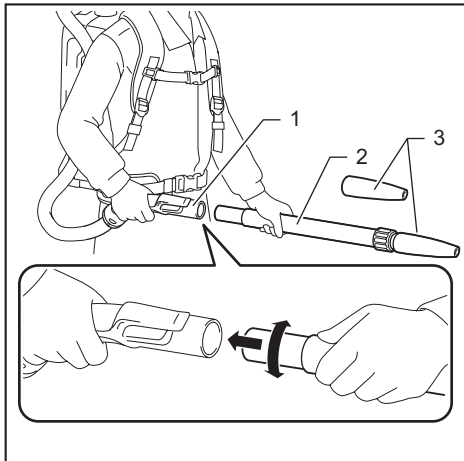
The length of the wand can be adjusted.  
With pressing the slide button, adjust the wand length.  
The length is locked when releasing the slide button.



► 1. Slide button

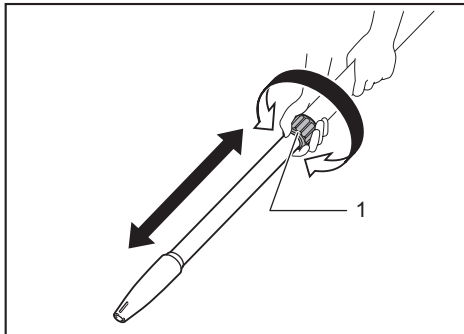
#### For the ring-type extension wand

Shoulder the vacuum cleaner body then twist and insert the extension wand into the bent pipe assembly. To disconnect, twist and extract it.



► 1. Bent pipe assembly 2. Ring-type extension wand  
3. Free nozzle

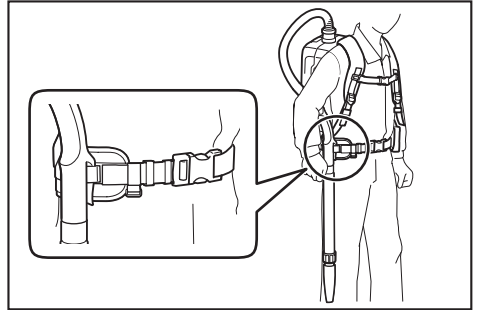
The length of the wand can be adjusted.  
Loosen the ring on the wand and adjust the wand length. Tighten the ring at your desired length.



► 1. Ring

## Hose hook

When you suspend the operation, the hook on the bent pipe assembly can be used for hanging the wand on the lower belt.



## Installing filter bag / dust bag

### Optional accessory

**CAUTION:** Do not use a damaged filter bag. Always use the vacuum cleaner with the filter bag properly installed. Otherwise the vacuumed dust or particles may be exhausted from the cleaner and they may cause respiratory disease to the operator.

Install either dust bag or filter bag before using cleaner.

- Dust bag are usable many times repeatedly by cleaning it out.
- Filter bag is a throw-away type. Throw away the entire filter bag without emptying when it has become full.

**NOTICE:** When the filter bag is already full, replace with new one. When the dust bag is already full, empty it. Continuous use with the filter bag/dust bag full results in reduced suction power.

**NOTICE:** To prevent dust from getting into the motor:

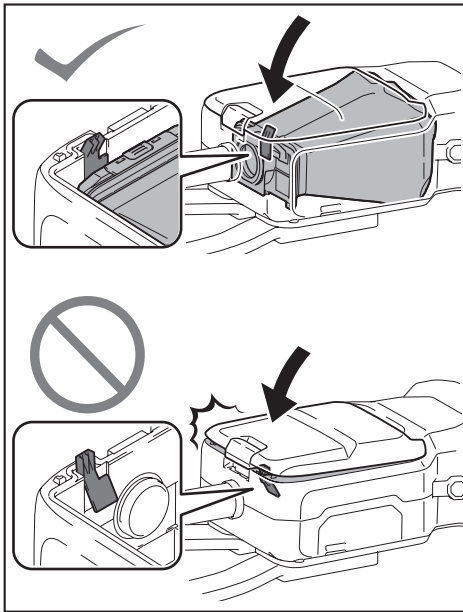
- Make sure that the filter bag/dust bag is installed before use.
- Do not use a broken or ripped bag.

Otherwise the motor may be broken.

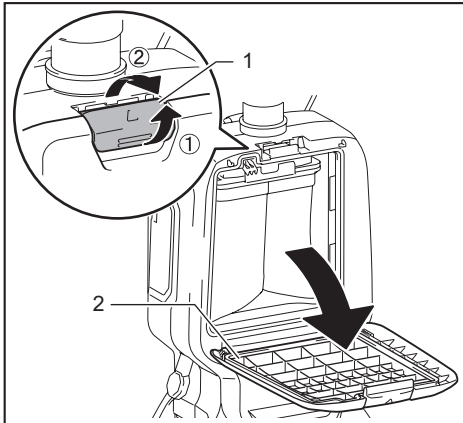
**NOTICE:** Do not fold the cardboard at its opening when installing the filter bag/dust bag.

**NOTICE:** The filter bag/dust bag for the cleaner is an important component for maintaining the appliance performance. Using non-genuine filter bag/dust bag may cause smoke or ignition.

**NOTE:** When the filter bag/dust bag is not installed in the cleaner, the front cover does not close completely.

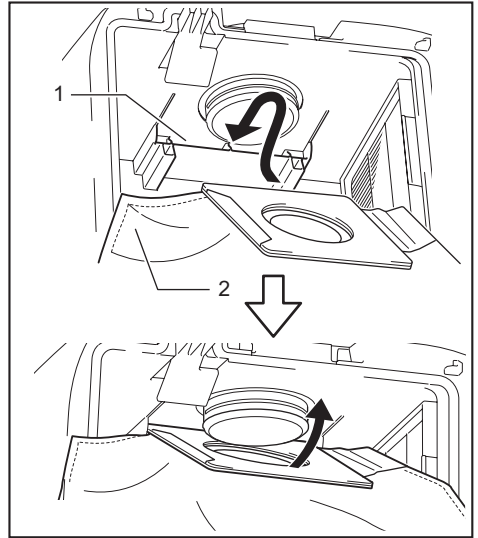


1. Unlock the latch by lifting the bottom side. Push the grooved area to lift the front latching side. Pull the latch to open the lid.



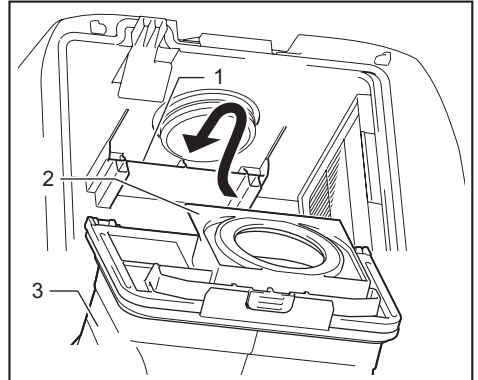
► 1. Hook 2. Lid

2. Insert the filter bag into the slit on the upper side of the room as illustrated.



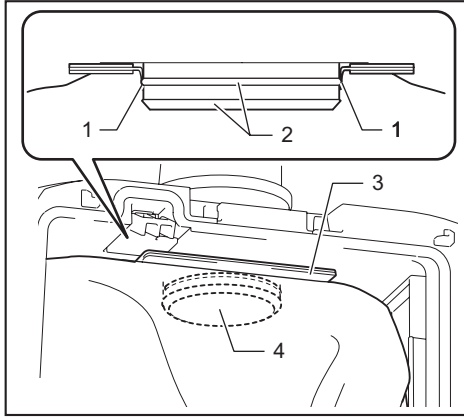
► 1. Slit 2. Filter bag

When using the dust bag, insert the brim of the dust bag into the slit.



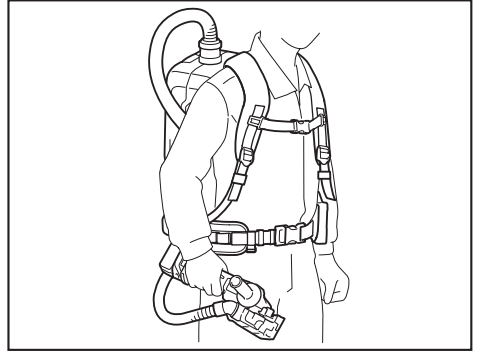
► 1. Slit 2. Brim 3. Dust bag

3. Align the hole of the filter bag with the hose cuff and push the cardboard portion to the end. Make sure that the rubber ring on the filter bag goes over the rim on the hose cuff.

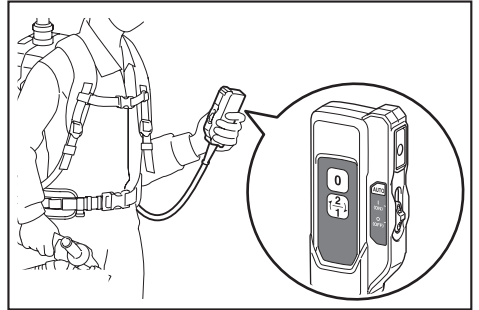


► 1. Rubber ring on the filter bag 2. Rim on the hose cuff 3. Cardboard portion of the filter bag 4. Hose cuff

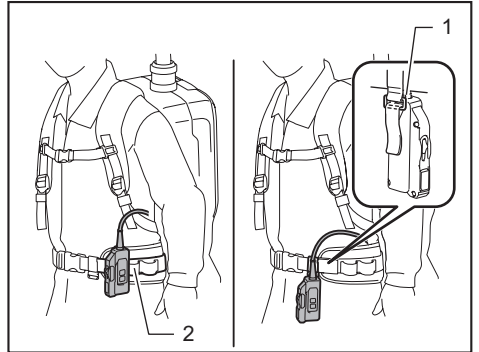
1. Shoulder the vacuum cleaner body and fasten lower and upper belts. Adjust the tightness as necessary.



2. Press  $\text{⏻}$  button to start vacuuming. To change the suction power, press  $\text{⏻}$  button while the vacuum cleaner is running. The suction power switches between normal (1) and higher (2) suction power. Press  $\text{⏻}$  button to stop.



During the operation, hook the switch box on the lower belt or the ring.



► 1. Ring 2. Lower belt

## OPERATION

**⚠WARNING:** Operators shall be adequately instructed on the use of the vacuum cleaner.

**⚠WARNING:** This vacuum cleaner is not suitable for picking up hazardous dust.

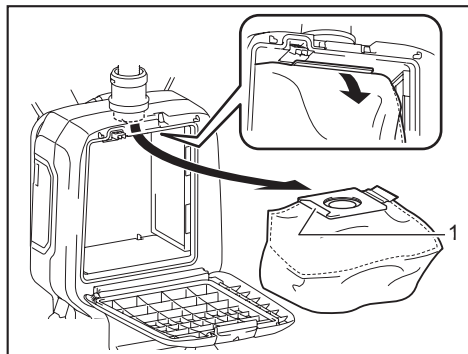
**⚠CAUTION:** This cleaner is for dry use only.

**⚠CAUTION:** This cleaner is for indoor use only.

**⚠CAUTION:** Always insert the battery cartridge all the way until it locks in place. If you can see the red indicator on the upper side of the button, it is not locked completely. Insert it fully until the red indicator cannot be seen. If not, it may accidentally fall out of the appliance, causing injury to you or someone around you.

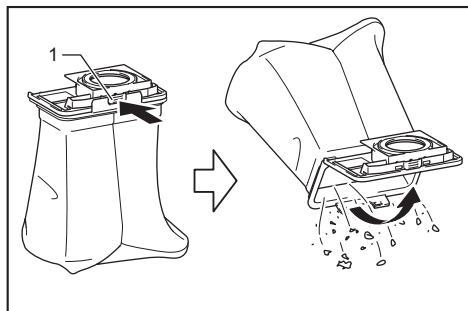
**⚠CAUTION:** During operation, be conscious of the vacuum cleaner on your back. You may lose your balance if the vacuum cleaner body bumps against a wall or the hose is hooked by an obstacles.

- Replace the filter bag when it becomes full. Open the lid and take out the filter bag. Pull the strip on the side of the opening to shut the filter bag and dispose of the filter bag in whole.



► 1. Strip

When using a dust bag, take out the dust bag and dispose of the dust by releasing the latch.



► 1. Latch

**NOTICE:** Do not put filter bag/dust bag or other heavy objects on the lid. The appliance may fall down.

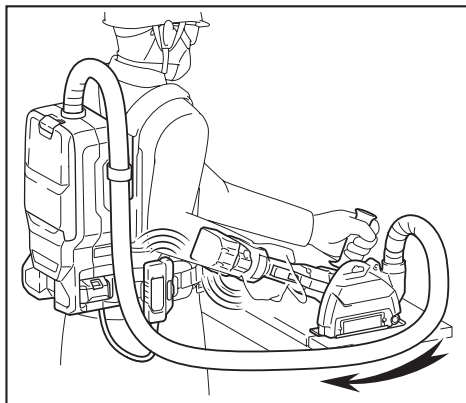
**NOTICE:** Periodically check the filter bag if it is full. Continuous use with the filter bag full results in reduced suction power.

**NOTICE:** Do not use an used filter bag. The filter bag is designed for single use. Using filter bag repeatedly may cause clogging of the filter and results in damage to the cleaner. If you want to use the bag repeatedly, use a dust bag.

## WIRELESS ACTIVATION FUNCTION

### What you can do with the wireless activation function

The wireless activation function enables clean and comfortable operation. By connecting a supported tool to the cleaner, you can run the cleaner automatically along with the switch operation of the tool.



**NOTICE:** Be sure to refer to the instruction manual of the tool when using the cleaner with wireless activation function.

**NOTICE:** Do not disassemble or tamper with the wireless unit.

**NOTICE:** To prevent dust coming into the slot of the wireless unit, always close the lid securely during operation and storage.

**NOTICE:** Do not remove the wireless unit while the power is being supplied. Doing so may cause a malfunction of the wireless unit.

**NOTICE:** Do not press the wireless activation button too hard and/or press the button with an object with a sharp edge.


**NOTE:** Wireless activation needs Makita tools equipped with the wireless unit.

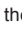
**NOTE:** Prior to the initial use of the wireless activation function with each tool, the tool registration is required. Once the registration is finished with the tool, the re-registration is not required unless it is cancelled.

**NOTE:** Before registration, be sure that the wireless unit is properly inserted.

**NOTE:** One wireless unit can register up to 10 links with other wireless units. If more than 10 other wireless units are registered to one wireless unit, the one registered earliest will be cancelled automatically.

**NOTE:** The position of the wireless activation button varies depending on the tool.

**NOTE:** The cleaner also starts by pressing  button when the stand-by switch is set to "I (ON)".

However the  button will not work when the wireless activation function is used.



## Installing the wireless unit

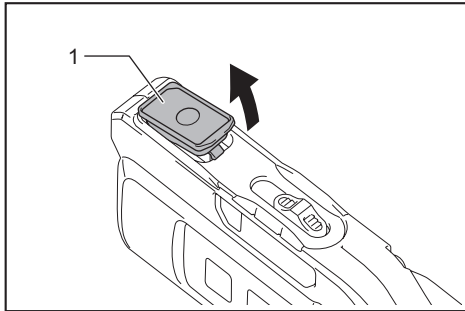
**CAUTION:** Place the cleaner on a flat and stable surface when installing the wireless unit.

**NOTICE:** Clean the dust and dirt on the cleaner before installing the wireless unit. Dust or dirt may cause malfunction if it comes into the slot of the wireless unit.

**NOTICE:** To prevent the malfunction caused by static, touch a static discharging material, such as a metallic part, before picking up the wireless unit.

**NOTICE:** When installing the wireless unit, always be sure that the wireless unit is inserted in the correct direction and the lid is completely closed.

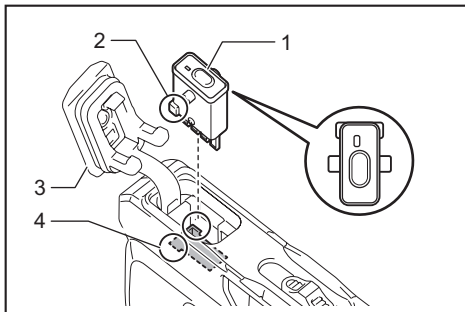
1. Open the lid on the cleaner as shown in the figure.



- 1. Lid

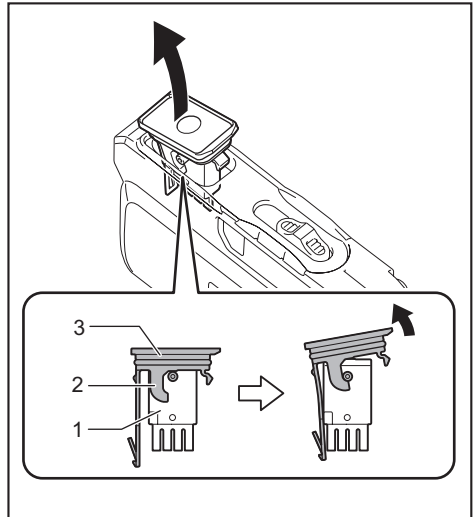
2. Insert the wireless unit to the slot and then close the lid.

When inserting the wireless unit, align the projections with the recessed portions on the slot.



- 1. Wireless unit 2. Projection 3. Lid 4. Recessed portion

When removing the wireless unit, open the lid slowly. The hooks on the back of the lid will lift the wireless unit as you pull up the lid.



- 1. Wireless unit 2. Hook 3. Lid

After removing the wireless unit, keep it in the supplied case or a static-free container.

**NOTICE:** Always use the hooks on the back of the lid when removing the wireless unit. If the hooks do not catch the wireless unit, close the lid completely and open it slowly again.

## Tool registration for the cleaner

**NOTE:** A Makita tool supporting the wireless activation function is required for the tool registration.

**NOTE:** Finish installing the wireless unit to the tool before starting the tool registration.

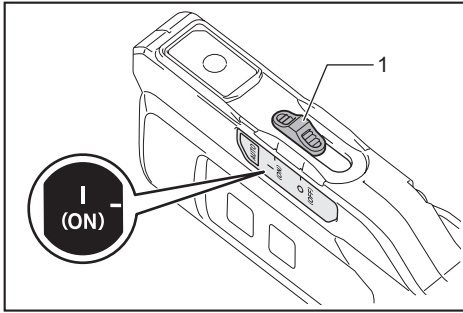
**NOTE:** During the tool registration, do not pull the switch trigger on the tool or push the cleaner's switch for vacuuming.

**NOTE:** Refer to the instruction manual of the tool, too.

If you wish to activate the cleaner along with the switch operation of the tool, finish the tool registration beforehand.

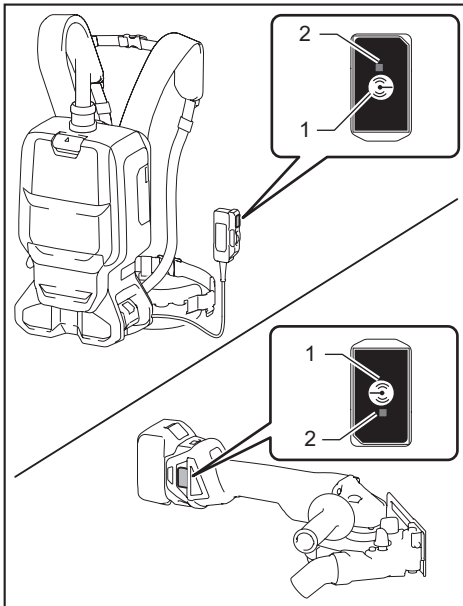
1. Install the wireless units to the cleaner and the tool, respectively.
2. Install the batteries to the cleaner and the tool.

3. Set the stand-by switch on the cleaner to "I (ON)".



- 1. Stand-by switch

4. Press the wireless activation button on the cleaner for 3 seconds until the wireless activation lamp blinks in green. And then press the wireless activation button on the tool in the same way.



- 1. Wireless activation button 2. Wireless activation lamp

If the cleaner and the tool are linked successfully, the wireless activation lamps will light up in green for 2 seconds and start blinking in blue.

**NOTE:** The wireless activation lamps finish blinking in green after 20 seconds elapsed. Press the wireless activation button on the tool while the wireless activation lamp on the cleaner is blinking. If the wireless activation lamp does not blink in green, push the wireless activation button briefly and hold it down again.

**NOTE:** When performing two or more tool registration for the cleaner, finish the tool registration one by one.

## Starting the wireless activation function

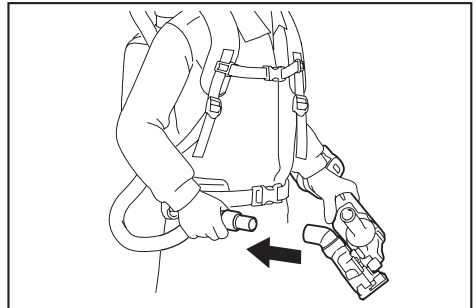
**NOTE:** Finish the tool registration for the cleaner for wireless activation.

**NOTE:** Always place the cleaner so that you can see the status of the wireless activation lamp.

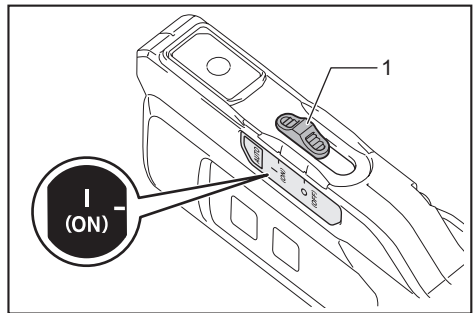
**NOTE:** Refer to the instruction manual of the tool, too.

After registering a tool to the cleaner, the cleaner will automatically runs along with the switch operation of the tool.

1. Install the wireless units to the cleaner and the tool, respectively.
2. Install the batteries to the cleaner and the tool.
3. Connect the hose of the cleaner with the tool.

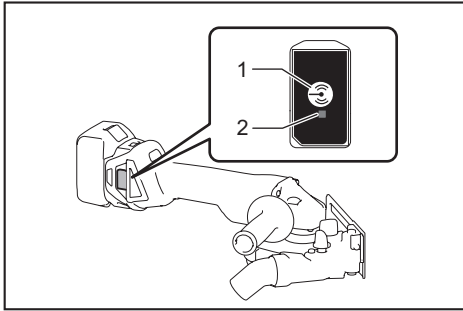


4. Set the stand-by switch on the cleaner to "I (ON)". The wireless activation lamp will blink in blue.



- 1. Stand-by switch

5. Push the wireless activation button on the tool briefly. The wireless activation lamp will blink in blue.



- 1. Wireless activation button 2. Wireless activation lamp

6. Pull the switch trigger of the tool. Check if the cleaner runs while the switch trigger on the tool is being pulled.

**CAUTION:** Always check if the wireless activation function works before starting a work with the tool.

To stop the wireless activation, push the wireless activation button on the tool or set the stand-by switch on the cleaner to "O (OFF)".

**NOTE:** The wireless activation lamp on the tool will stop blinking in blue when there is no operation for 2 hours. In this case, press the wireless activation buttons on the tool again.

**NOTE:** The cleaner starts/stops with a delay. There is a time lag when the cleaner detects a switch operation of the tool.

**NOTE:** The transmission distance of the wireless unit may vary depending on the location and surrounding circumstances.

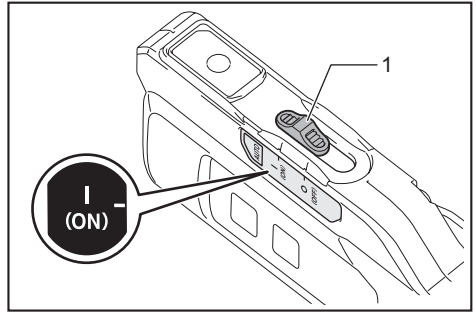
**NOTE:** When two or more tools are registered to one cleaner, the cleaner may start running even if you don't pull the switch trigger because other user is using the wireless activation function.

## Cancelling tool registration for the cleaner

Perform the following procedure when cancelling the tool registration for the cleaner.

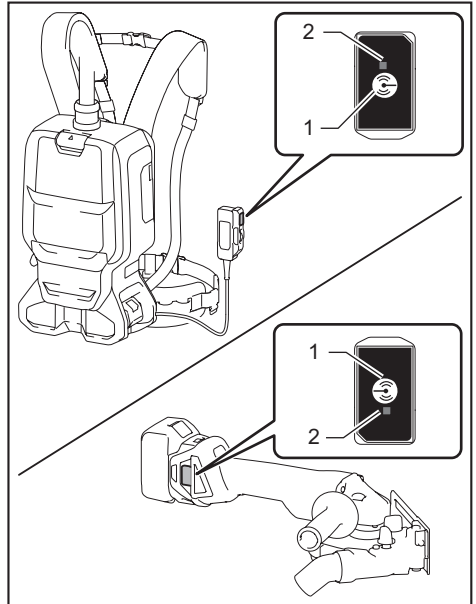
1. Install the wireless units to the cleaner and the tool, respectively.
2. Install the batteries to the cleaner and the tool.

3. Set the stand-by switch on the cleaner to "I (ON)".



- 1. Stand-by switch

4. Press the wireless activation button on the cleaner for 6 seconds. The wireless activation lamp blinks in green and then become red. After that, press the wireless activation button on the tool in the same way.



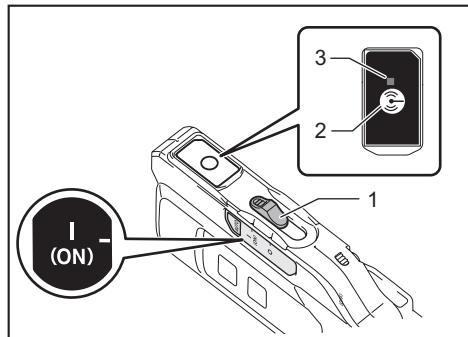
- 1. Wireless activation button 2. Wireless activation lamp

If the cancellation is performed successfully, the wireless activation lamps will light up in red for 2 seconds and start blinking in blue.

**NOTE:** The wireless activation lamps finish blinking in red after 20 seconds elapsed. Press the wireless activation button on the tool while the wireless activation lamp on the cleaner is blinking. If the wireless activation lamp does not blink in red, push the wireless activation button briefly and hold it down again.

## Erasing all tool registrations

You can erase all tool registrations from the cleaner as follows.

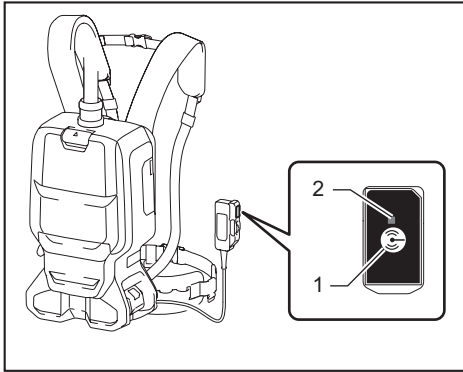


- 1. Stand-by switch 2. Wireless activation button  
3. Wireless activation lamp

1. Install the wireless unit to the cleaner.
2. Install the batteries to the cleaner.
3. Set the stand-by switch to "I (ON)".
4. Hold down the wireless activation button for about 6 seconds until the wireless activation lamp blinks in red (about twice per one second).
5. When the wireless activation lamp starts blinking in red, release your finger from the wireless activation button. Thereafter, hold down the wireless activation button again for about 6 seconds.
6. When the wireless activation lamp starts blinking fast (about 5 times per one second) in red, release your finger from the wireless activation button. When the wireless activation lamp lights up in red and later lights off, all tool registrations are erased.

**NOTE:** If the wireless activation lamp does not blink in red, press the wireless activation button briefly and try again.

## Description of the wireless activation lamp status



- 1. Wireless activation button 2. Wireless activation lamp

The wireless activation lamp shows the status of the wireless activation function. Refer to the below table for the meaning of the lamp status.

Status	Wireless activation lamp				Description
	Color	<input type="checkbox"/> On	<input checked="" type="checkbox"/> Blinking	Duration (approximate)	
Standby	Blue	<input checked="" type="checkbox"/>		Cleaner: continuing Tool: 2 hours	Waiting for the tool registration or the wireless activation function is available. The lamp on the cleaner blinks when the stand-by switch is set in "I (ON)". The lamp on the tool blinks when the wireless activation button is pushed. The lamp on the tool will automatically turn off when no operation is performed for 2 hours.
		<input type="checkbox"/>		When the tool is running.	The wireless activation of the cleaner is available and the tool is running.
Tool registration	Green	<input checked="" type="checkbox"/>		20 seconds	Ready for the tool registration. Searching the tool to be registered.
		<input type="checkbox"/>		2 seconds	The tool registration has been finished. The wireless activation lamp will start blinking in blue.
Cancelling/ erasing tool registration	Red	<input checked="" type="checkbox"/> (slow: 2 times/sec.)		20 seconds	Ready for the cancellation of the tool registration. Searching the tool to be cancelled.
		<input checked="" type="checkbox"/> (fast: 5 times/sec.)		When the wireless activation button is pressed down.	Ready to erase all tool registrations.
		<input type="checkbox"/>		2 seconds	The tool registration has been cancelled/erased. The wireless activation lamp will start blinking in blue.
Others	Red	<input type="checkbox"/>		3 seconds	The power is supplied to the wireless unit and the wireless activation function is starting up.
	Off	-		-	The stand-by switch is not set to "I (ON)".

## Troubleshooting for wireless activation function

Before asking for repairs, conduct your own inspection first. If you find a problem that is not explained in the manual, do not attempt to dismantle the tool. Instead, ask Makita Authorized Service Centers, always using Makita replacement parts for repairs.

State of abnormality	Probable cause (malfunction)	Remedy
The wireless activation lamp does not light/blink.	The wireless unit is not installed into the cleaner and/or the tool. The wireless unit is improperly installed into the cleaner and/or the tool.	Install the wireless unit correctly.
	The terminal of the wireless unit and/or the slot is dirty.	Gently wipe off dust and dirt on the terminal of the wireless unit and clean the slot of the cleaner and/or the tool.
	The wireless activation button on the tool have not been pushed.	Push the wireless activation button on the tool briefly. Make sure that the wireless activation lamp is blinking in blue.
	The stand-by switch on the cleaner is not set to "I (ON)".	Set the stand-by switch on the cleaner to "I (ON)".
	No power supply	Supply the power to the tool and the cleaner.
Cannot finish tool registration / cancelling tool registration successfully.	The wireless unit is not installed into the cleaner and/or the tool. The wireless unit is improperly installed into the cleaner and/or the tool.	Install the wireless unit correctly.
	The terminal of the wireless unit and/or the slot is dirty.	Gently wipe off dust and dirt on the terminal of the wireless unit and clean the slot of the cleaner and/or the tool.
	The stand-by switch on the cleaner is not set to "I (ON)".	Set the stand-by switch on the cleaner to "I (ON)".
	No power supply	Supply the power to the tool and the cleaner.
	Incorrect operation	Push the wireless activation button briefly and perform the tool registration/cancellation procedures again.
	The tool and cleaner are away from each other (out of the transmission range).	Get the tool and the cleaner closer to each other. The maximum transmission distance is approximately 10 m however it may vary according to the circumstances.
	Before finishing the tool registration/cancellation; - the switch trigger on the tool is pulled or; - the cleaner's switch to start vacuuming is pushed.	Push the wireless activation button briefly and perform the tool registration/cancellation procedures again.
	The tool registration procedures for the tool or the cleaner has not been finished.	Perform the tool registration procedures for the tool and the cleaner at the same timing.
	Radio disturbance by other appliances which generate high-intensity radio waves.	Keep the tool and the cleaner away from the appliances such as Wi-Fi devices and microwave ovens.

State of abnormality	Probable cause (malfunction)	Remedy
The cleaner does not run along with the switch operation of the tool.	The wireless unit is not installed into the cleaner and/or the tool. The wireless unit is improperly installed into the cleaner and/or the tool.	Install the wireless unit correctly.
	The terminal of the wireless unit and/or the slot is dirty.	Gently wipe off dust and dirt on the terminal of the wireless unit and clean the slot of the cleaner and/or the tool.
	The wireless activation button on the tool have not been pushed.	Push the wireless activation button on the tool briefly. Make sure that the wireless activation lamp is blinking in blue.
	The stand-by switch on the cleaner is not set to "I (ON)".	Set the stand-by switch on the cleaner to "I (ON)".
	More than 10 tools are registered to the cleaner.	Perform the tool registration again. If more than 10 tools are registered to the cleaner, the tool registered earliest will be cancelled automatically.
	The cleaner erased all tool registrations.	Perform the tool registration again.
	No power supply	Supply the power to the tool and the cleaner.
	The tool and cleaner are away from each other (out of the transmission range).	Get the tool and the cleaner closer to each other. The maximum transmission distance is approximately 10 m however it may vary according to the circumstances.
	Radio disturbance by other appliances which generate high-intensity radio waves.	Keep the tool and the cleaner away from the appliances such as Wi-Fi devices and microwave ovens.

State of abnormality	Probable cause (malfunction)	Remedy
The cleaner runs while the tool's switch trigger is not pulled.	Other users are using the wireless activation of the cleaner with their tools.	Perform one of the following way; - set the stand-by switch on the cleaner to "O" position or; - turn off the wireless activation button of the other tools or; - cancel the tool registration of the other tools.
Cannot erase all tool registrations in the cleaner.	Pressing the wireless button on the tool.	Press the wireless button on the cleaner for erasing all tool registrations.
	The stand-by switch on the cleaner is not set to "I (ON)".	Set the stand-by switch on the cleaner to "I (ON)".
	The wireless activation button is not held down correctly.	Hold down the wireless activation button for more than 6 seconds and then release it when the wireless activation lamp blinks in red. Hold down the wireless activation button for more than 6 seconds again until the wireless activation button rapidly blinks in red and then release the button.

## MAINTENANCE

**CAUTION:** Always be sure that the appliance is switched off and the battery cartridge is removed before attempting to perform inspection or maintenance.

**NOTICE:** Never use gasoline, benzene, thinner, alcohol or the like. Discoloration, deformation or cracks may result.

To maintain product SAFETY and RELIABILITY, repairs, any other maintenance or adjustment should be performed by Makita Authorized or Factory Service Centers, always using Makita replacement parts.

### Cleaning the HEPA filter

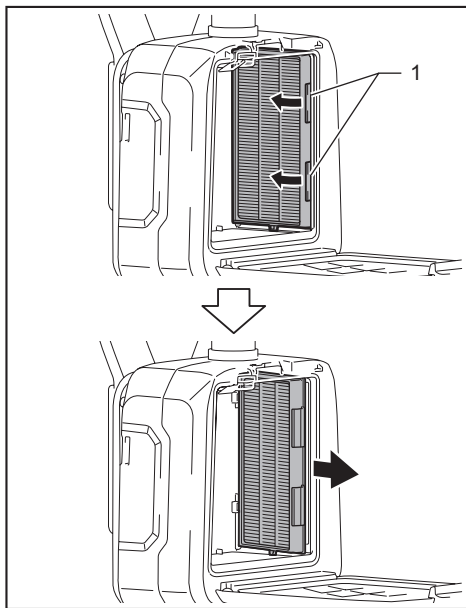
**CAUTION:** Do not use the vacuum cleaner without a filter or continue to use dirty or damaged filter. Vacuumed dust or particles may be exhausted from the cleaner and they may cause respiratory disease to the operator.

**NOTICE:** To keep optimum suction power and clean exhaust, clean the filter periodically. If enough suction power is not obtained even after the cleaning, replace the filter with new one.

**NOTICE:** To prevent the filter from being damaged, do not use following tools and similar items for cleaning :

- Air duster
- High pressure washer
- Tools made of hard materials such as a metallic brush

1. Open the lid and take out the filter bag/dust bag. Release the hook on the filter and remove it from the vacuum cleaner body.

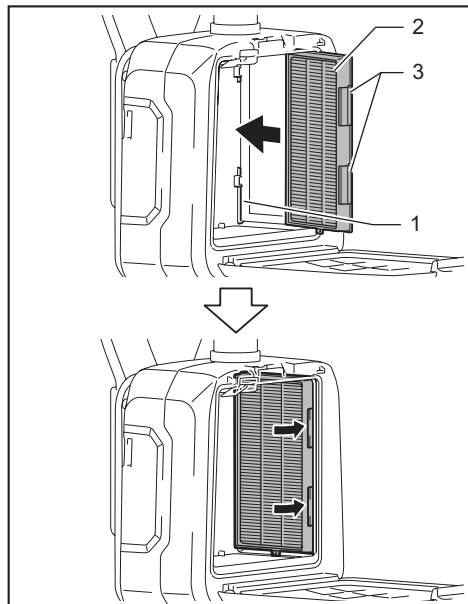


► 1. Hook

2. Beat the dust off from the filter. The filter can be washed with water. Rinse away the dust and particles on the filter every 1 or 2 month. After that, dry the filter completely in a shaded and well-ventilated place to prevent unpleasant odor or malfunctions.



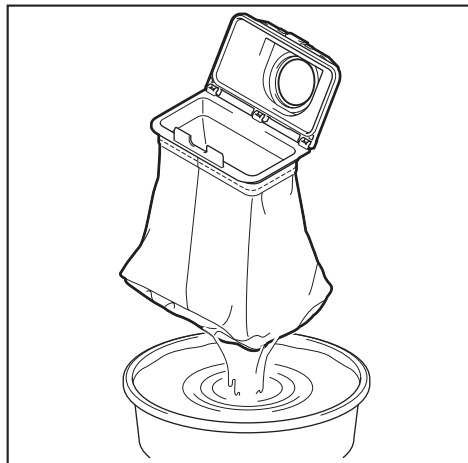
- To install the filter, insert the side without the hooks into the groove then push in the filter until the hooks are secured with a click.



► 1. Groove 2. HEPA filter 3. Hook

## Cleaning the dust bag

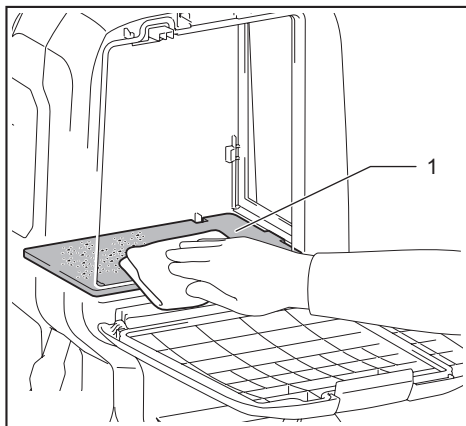
Regularly clean the dust bag with soap and water. Turn the dust bag inside out and remove the sticky dust. Wash lightly by hand and rinse well with water. Dry completely before installing to the vacuum cleaner.



**NOTICE:** Wet dust bag lowers the vacuuming performance as well as the life of the motor.

## Cleaning the room for filter bag/dust bag

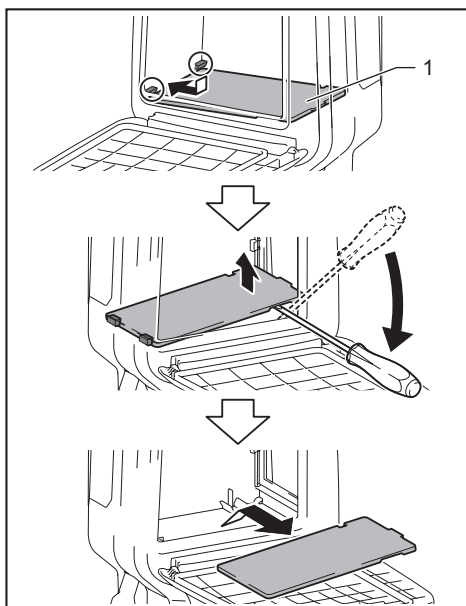
When cleaning the room for filter bag/dust bag, remove and wipe the board inside.



► 1. Board

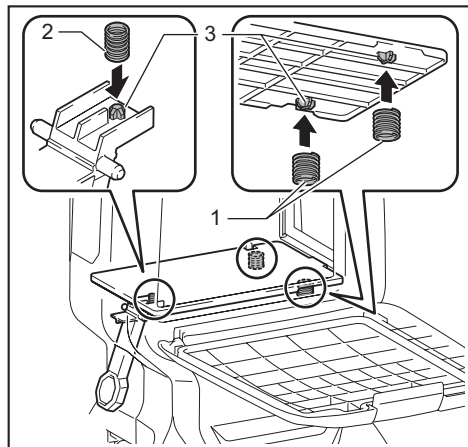
## Removing the board

- Remove the HEPA filter. Refer to the section for cleaning the HEPA filter for how to remove.
- Push down the board, and slide it to left until the board touches the wall.
- Lift the right side of the board up and take it out.



► 1. Board

The board is supported by three springs.  
If the springs came off from the board or the lever, reattach them as illustrated.

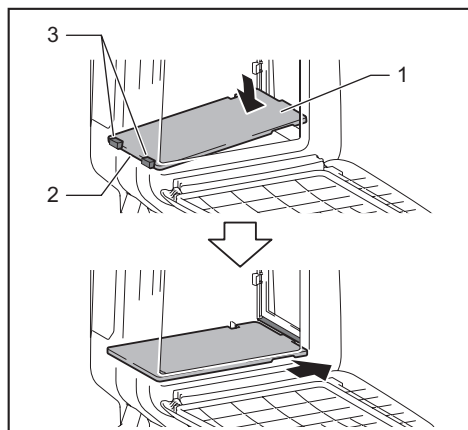


► 1. Spring for board 2. Spring for lever 3. Projection

**NOTE:** Attach the springs securely so that the springs touch the root of the projections.

## Attaching the board

1. Insert the straight side of the board into the catches in the lower left side of the room.
2. Put the right side of the board in place.



► 1. Board 2. Straight side 3. Catch

## OPTIONAL ACCESSORIES

**CAUTION:** These accessories or attachments are recommended for use with your Makita product specified in this manual. The use of any other accessories or attachments might present a risk of injury to persons. Only use accessory or attachment for its stated purpose.

If you need any assistance for more details regarding these accessories, ask your local Makita Service Center.

- Hose (for dust extraction type)
- Hose (for vacuum cleaner type)
- Extension wand
- Free nozzle
- T-shape nozzle
- Seat nozzle
- Corner nozzle
- Shelf brush
- Round brush
- Filter bag
- Dust bag
- Front cuff
- HEPA filter
- Wireless unit
- Makita genuine battery and charger

**NOTE:** Some items in the list may be included in the tool package as standard accessories. They may differ from country to country.

## MAKITA LIMITED WARRANTY

Please refer to the annexed warranty sheet for the most current warranty terms applicable to this product. If annexed warranty sheet is not available, refer to the warranty details set forth at below website for your respective country.

United States of America: [www.makitatools.com](http://www.makitatools.com)

Canada: [www.makita.ca](http://www.makita.ca)

Other countries: [www.makita.com](http://www.makita.com)

## ESPECIFICACIONES

<b>Modelo:</b>		<b>XCV18</b>
Capacidad	Bolsa del filtro	6,0 L (1,6 gal.)
	Bolsa recolectora de polvo	5,5 L (1,5 gal.)
Volumen de aire máximo (Con manguera con $\varnothing 28$ mm (1-1/8") x 1,5 m (59"))		1,8 m <sup>3</sup> /min (63,6 cu.ft/min)
Aspiradora		110 hPa
Dimensiones (La x An x Al) (sin incluir el arnés)		297 mm x 174 mm x 523 mm (11-3/4" x 6-7/8" x 20-5/8")
Tensión nominal		36 V c.c.
Peso neto		6,1 kg - 6,7 kg (13,5 lbs - 14,9 lbs)

- Debido a nuestro continuo programa de investigación y desarrollo, las especificaciones aquí incluidas están sujetas a cambio sin previo aviso.
- Las especificaciones pueden variar de país a país.
- El peso incluye el o los cartuchos de batería, pero no los accesorios. La combinación de menor y mayor peso del aparato y del o los cartuchos de batería se muestra en la tabla.

## Cartucho de batería y cargador aplicables

Cartucho de batería	BL1815N / BL1820B / BL1830 / BL1830B / BL1840B / BL1850B / BL1860B
Cargador	DC18RC / DC18RD / DC18RE / DC18SD / DC18SE / DC18SF

- Algunos de los cartuchos de batería y cargadores enumerados arriba podrían no estar disponibles dependiendo de su área de residencia.

**⚠ ADVERTENCIA:** Use únicamente los cartuchos de batería y los cargadores indicados arriba. El uso de cualquier otro cartucho de batería y cargador podría ocasionar una lesión y/o un incendio.

## ADVERTENCIAS DE SEGURIDAD

## INSTRUCCIONES IMPORTANTES DE SEGURIDAD

Al usar cualquier aparato eléctrico, siempre deben seguirse las precauciones básicas, incluyendo las siguientes:

## GUARDE ESTAS INSTRUCCIONES.

## ADVERTENCIA

Para reducir el riesgo de incendio, descarga eléctrica o lesión:

1. No deje el aparato con la batería puesta. Retire la batería del aparato cuando no lo vaya a utilizar y antes de dar servicio de mantenimiento.
2. No lo utilice sobre superficies húmedas. No lo exponga a la lluvia. Almacénelo en interiores.
3. No permita que sea utilizado como un juguete. Supervise de cerca cuando lo utilice cerca de niños.
4. Utilícelo solamente como se describe en este manual. Sólo use aditamentos recomendados por el fabricante.
5. No lo utilice con una batería dañada. Si el aparato no está funcionando como debiera, se ha dejado caer, se ha dañado, se ha dejado a la intemperie o ha caído sobre agua, llévelo a un centro de servicio.

6. **No manipule el aparato con las manos mojadas.**
7. **No introduzca ningún objeto en las aberturas. No lo utilice con ninguna abertura bloqueada; manténgalo libre de polvo, pelusa, cabello y cualquier objeto que pueda reducir el flujo de aire.**
8. **Mantenga el cabello, la ropa holgada, los dedos y todas las partes del cuerpo lejos de las aberturas y piezas móviles.**
9. **Apague todos los controles antes de retirar el cartucho de batería.**
10. **Tenga especial cuidado cuando limpie en escaleras.**
11. **No lo utilice para recoger líquidos inflamables o combustibles, tal como gasolina, ni en áreas donde puedan estar presentes.**
12. **No recoja nada que se esté quemando o desprenda humo, tal como cigarrillos, fósforos o cenizas calientes.**
13. **No lo utilice sin la bolsa recolectora de polvo colocada en su lugar.**
14. **No cargue la batería en exteriores.**
15. **Evite una puesta en marcha accidental. Asegúrese de que el interruptor esté en la posición apagada antes de conectar el paquete de baterías, levantar el aparato o cargarlo. Cargar el aparato con su dedo en el interruptor o pasar energía al aparato con el interruptor encendido puede propiciar accidentes.**
16. **Desconecte el paquete de baterías del aparato antes de hacer cualquier ajuste, cambiar accesorios o almacenar el aparato. Estas medidas de seguridad preventivas reducen el riesgo de poner en marcha el aparato accidentalmente.**
17. **Recargue sólo con el cargador especificado por el fabricante. Un cargador que es adecuado para un solo tipo de paquete de baterías puede generar riesgo de incendio al ser utilizado con otro paquete de baterías.**
18. **Use los aparatos únicamente con los paquetes de baterías designados específicamente para ellos. El uso de otros paquetes de baterías puede generar riesgo de lesiones e incendio.**
19. **Cuando no se esté usando el paquete de baterías, guárdelo lejos de otros objetos metálicos tales como sujetapapeles (clips), monedas, llaves, clavos, tornillos u otros objetos metálicos pequeños que puedan crear una conexión entre una terminal y otra. Ocasionar un cortocircuito en las terminales de la batería puede provocar quemaduras o incendios.**
20. **En condiciones de mal uso, podría escapar líquido de la batería; evite tocarlo. Si lo toca accidentalmente, enjuague con agua. Si el líquido entra en contacto con los ojos, solicite adicionalmente atención médica. El líquido expulsado de la batería puede causar irritación o quemaduras.**
21. **No utilice un paquete de baterías o aparato que esté dañado o haya sido modificado. Las baterías dañadas o modificadas podrían comportarse de manera impredecible causando un incendio, explosión o riesgo de lesión.**
22. **No exponga un paquete de baterías o aparato al fuego o a una temperatura excesiva. La exposición al fuego a una temperatura superior a 130 °C podría causar una explosión.**
23. **Siga todas las instrucciones relativas a la carga y no cargue el paquete de baterías o el aparato fuera del rango de temperatura especificado en las instrucciones. Cargar de manera inapropiada o a temperaturas fuera del rango especificado podría dañar la batería e incrementar el riesgo de incendio.**
24. **Pida que el servicio lo realice un técnico en reparaciones calificado y que utilice únicamente piezas de repuesto idénticas a las originales. Esto garantizará que se mantenga la seguridad del producto.**
25. **No modifique ni intente reparar el aparato ni el paquete de baterías salvo como se indique en las instrucciones para el uso y cuidado.**

## **GUARDE ESTAS INSTRUCCIONES.**

Este aparato está diseñado para uso comercial.

# REGLAS DE SEGURIDAD ADICIONALES

1. Lea cuidadosamente este manual de instrucciones y el manual de instrucciones del cargador antes de usar el aparato.
2. No aspire los siguientes elementos:
  - Líquidos inflamables (queroseno, gasolina, disolventes como bencina, diluyentes, etc.)
  - Sustancias calientes que están ardiendo o echando humo (cigarrillos, cerillas, palitos de incienso, velas, cenizas calientes), chispas y polvo metálico generados por el corte o el lijado de metales, etc.
  - Materiales inflamables (tónor, pinturas, aerosoles, etc.)
  - Espumas, como limpiadores de alfombras, etc. (pueden causar explosiones o incendios)
  - Sustancias explosivas o pirofóricas (nitroglicerina, aluminio, magnesio, titanio, zinc, fósforo rojo, fósforo amarillo, celuloide, etc., y su polvo, gases o vapores)
  - Objetos afilados (cristal, cubiertos, astillas de madera, metales, piedras, clavos, cuchillas, tachuelas, etc.)
  - Polvo fino conductor y solidificante (polvo metálico o de carbono)
  - Deshumidificador
  - Grandes cantidades de polvo (harina, polvo de extintor de incendios, etc.)
  - Sustancias que causan síntomas tóxicos
  - Productos químicos agresivos (ácidos, lixiviados, etc.)
  - Basura líquida o húmeda, incluyendo vómitos y heces
  - Asbesto
  - Pesticidas

Tal acción podría ocasionar un incendio, lesiones y/o daños materiales. Para reducir la exposición a estas sustancias químicas, utilice un equipo de protección respiratoria aprobado, tal como las máscaras contra polvo que están especialmente diseñadas para filtrar partículas microscópicas. No apunte la salida de aire a la cara y al cuerpo.

NOTA: Lea el reglamento OSHA en lo referente a polvo de sílice a fin de entender los requisitos necesarios para reducir la exposición al polvo de sílice en el puesto de trabajo. Contiene normas específicas sobre el taladrado, la demolición, el corte y el lijado de materiales que contienen sílice. Todos los requisitos de la OSHA relacionados con la reducción de polvo de sílice se pueden encontrar en el sitio web de la OSHA: [www.osha.gov](http://www.osha.gov).

3. Detenga la operación de inmediato si nota algo anormal.
4. Si deja caer o golpea la aspiradora, verifique cuidadosamente si hay grietas o daños antes de la operación.
5. No la acerque a estufas ni a otras fuentes de calor.
6. No obstruya el orificio de flujo de entrada ni los orificios de ventilación.
7. Este aparato no se destina para utilizarse por personas (incluyendo niños) cuyas capacidades físicas, sensoriales o mentales sean diferentes o estén reducidas o carezcan de experiencia o de conocimiento, a menos que dichas personas reciban una supervisión o capacitación para el funcionamiento del aparato por una persona responsable de su seguridad.
8. Los niños deben supervisarse para asegurar que ellos no empleen los aparatos como juguete.

## Uso y cuidado de la herramienta a batería

1. Evite un arranque accidental. Asegúrese de que el interruptor esté en la posición apagada antes de conectar el paquete de baterías, levantar el aparato o cargarlo. Cargar el aparato con su dedo en el interruptor o pasar energía al aparato con el interruptor encendido puede propiciar accidentes.

2. **Desconecte el paquete de baterías del aparato antes de hacer cualquier ajuste, cambiar accesorios o almacenar el aparato.** Estas medidas de seguridad preventivas reducen el riesgo de poner en marcha el aparato accidentalmente.
3. **Recargue sólo con el cargador especificado por el fabricante.** Un cargador que es adecuado para un solo tipo de batería puede generar riesgo de incendio al ser utilizado con otra batería.
4. **Use los aparatos únicamente con los paquetes de baterías designados específicamente para ellos.** El uso de otros paquetes de baterías puede generar riesgo de lesiones e incendio.
5. **Cuando no se esté usando la batería, manténgala alejada de otros objetos metálicos, como sujetapapeles (clips), monedas, llaves, clavos, tornillos u otros objetos pequeños de metal los cuales pueden actuar creando una conexión entre las terminales de la batería.** Originar un cortocircuito en las terminales puede causar quemaduras o incendios.
6. **En condiciones abusivas, podrá escapar líquido de la batería; evite tocarlo. Si lo toca accidentalmente, enjuague con agua. Si hay contacto del líquido con los ojos, busque asistencia médica.** Puede que el líquido expulsado de la batería cause irritación o quemaduras.
7. **No utilice un paquete de baterías o aparato que esté dañado o haya sido modificado. Las baterías dañadas o modificadas podrían comportarse de manera impredecible causando un incendio, explosión o riesgo de lesión.**
8. **No exponga un paquete de baterías o aparato al fuego o a una temperatura excesiva. La exposición al fuego o una temperatura superior a 130 °C podría causar una explosión.**
9. **Siga todas las instrucciones relativas a la carga y no cargue el paquete de baterías o el aparato fuera del rango de temperatura especificado en las instrucciones.** Cargar de manera inapropiada o a temperaturas fuera del rango especificado podría dañar la batería e incrementar el riesgo de incendio.
10. **Pida que el servicio lo realice un técnico en reparaciones calificado y que utilice únicamente piezas de repuesto idénticas a las originales.** Esto garantizará que se mantenga la seguridad del producto.
11. **No modifique ni intente reparar el aparato ni el paquete de baterías salvo como se indique en las instrucciones para el uso y cuidado.**

## Símbolos

A continuación se muestran los símbolos utilizados para la herramienta.

---

V volts o voltios

---

— corriente directa o continua  
 ...

---

## Instrucciones importantes de seguridad para el cartucho de batería

1. **Antes de utilizar el cartucho de batería, lea todas las instrucciones e indicaciones de precaución en el (1) el cargador de batería, (2) la batería, y (3) el producto con el que se utiliza la batería.**
2. **No desarme el cartucho de batería.**
3. **Si el tiempo de operación se ha acortado en exceso, deje de operar de inmediato. Podría correrse el riesgo de sobrecalentamiento, posibles quemaduras e incluso explosión.**
4. **En caso de que ingresen electrolitos en sus ojos, enjuáguelos bien con agua limpia y consulte de inmediato a un médico. Esto podría ocasionar pérdida de visión.**



5. **Evite cortocircuitar el cartucho de batería:**
  - (1) **No toque las terminales con ningún material conductor.**
  - (2) **Evite guardar el cartucho de batería en un cajón junto con otros objetos metálicos, tales como clavos, monedas, etc.**
  - (3) **No exponga el cartucho de batería al agua o la lluvia.**

Un cortocircuito en la batería puede causar un flujo grande de corriente, sobrecalentamiento, posibles quemaduras e incluso una descompostura.
6. **No guarde la herramienta ni el cartucho de batería en lugares donde la temperatura pueda alcanzar o exceder los 50°C (122°F).**
7. **Nunca incinere el cartucho de batería incluso en el caso de que esté dañado seriamente o ya no sirva en absoluto. El cartucho de batería puede explotar si se tira al fuego.**
8. **Tenga cuidado de no dejar caer ni golpear la batería.**
9. **No use una batería dañada.**
10. **Las baterías de ión de litio están sujetas a los requisitos reglamentarios en materia de bienes peligrosos. Para el transporte comercial, por ej., mediante terceros o agentes de transporte, se deben tomar en cuenta los requisitos especiales relativos al empaque y el etiquetado. Para efectuar los preparativos del artículo que se va a enviar, se requiere consultar a un experto en materiales peligrosos. Si es posible, consulte además otras regulaciones nacionales más detalladas. Pegue o cubra con cinta adhesiva los contactos abiertos y empaque la batería de manera que ésta no pueda moverse dentro del paquete.**
11. **Siga las regulaciones locales relacionadas al desecho de las baterías.**
12. **Siga las regulaciones locales relacionadas al desecho de las baterías.**
13. **Utilice las baterías únicamente con los productos especificados por Makita.** Instalar las baterías en productos que no cumplen con los requisitos podría ocasionar un incendio, un calentamiento excesivo, una explosión o una fuga de electrolito.
14. **Siga las regulaciones locales relacionadas al desecho de las baterías.**

## GUARDE ESTAS INSTRUCCIONES.

**⚠PRECAUCIÓN:** Utilice únicamente baterías originales de Makita. El uso de baterías no originales de Makita, o de baterías alteradas, puede ocasionar que las baterías exploten causando un incendio, lesiones personales y daños. Asimismo, esto invalidará la garantía de Makita para la herramienta y el cargador Makita.

### Consejos para alargar al máximo la vida útil de la batería

1. **Cargue el cartucho de batería antes de que se descargue completamente. Pare siempre la operación y cargue el cartucho de batería cuando note menos potencia en la herramienta.**
2. **No cargue nunca un cartucho de batería que esté completamente cargado. La sobrecarga acortará la vida de servicio de la batería.**
3. **Cargue el cartucho de batería a una temperatura ambiente de 10 °C - 40 °C (50 °F - 104 °F). Si un cartucho de batería está caliente, déjelo enfriar antes de cargarlo.**
4. **Cargue el cartucho de batería si no va a utilizarlo durante un período prolongado (más de seis meses).**

### Instrucciones importantes de seguridad para la unidad inalámbrica

1. **No desarme ni modifique la unidad inalámbrica.**
2. **Mantenga la unidad inalámbrica alejada de los niños pequeños. En caso de ingerirla accidentalmente, solicite atención médica de inmediato.**
3. **Utilice la unidad inalámbrica solamente con herramientas de Makita.**
4. **No exponga la unidad inalámbrica a la lluvia ni a condiciones de humedad.**
5. **No utilice la unidad inalámbrica en lugares donde la temperatura exceda los 50°C (122°F).**
6. **No utilice la unidad inalámbrica en lugares donde haya instrumentos médicos tales como marcapasos cerca.**
7. **No utilice la unidad inalámbrica en lugares donde haya dispositivos automáticos cerca. Si se utiliza, los dispositivos automáticos podrían causar alguna avería o error.**



8. No opere la unidad inalámbrica en lugares con alta temperatura o donde pueda generarse electricidad estática o ruido eléctrico.
9. La unidad inalámbrica puede producir campos electromagnéticos (CEM), sin embargo éstos no son dañinos para el usuario.
10. La unidad inalámbrica es un instrumento de precisión. Tenga cuidado de no dejar caer ni golpear la unidad inalámbrica.
11. Evite tocar la terminal de la unidad inalámbrica con las manos descubiertas o con materiales metálicos.
12. Retire siempre la batería del producto al instalar en él la unidad inalámbrica.
13. Cuando abra la tapa de la ranura, evite el lugar donde el polvo y el agua puedan introducirse en la ranura. Mantenga siempre la entrada de la ranura limpia.
14. Inserte siempre la unidad inalámbrica en la dirección correcta.
15. No oprima el botón de activación inalámbrica en la unidad inalámbrica demasiado fuerte, ni lo haga con ningún objeto que tenga un borde filoso.
16. Cierre siempre la tapa de la ranura durante la operación.
17. No retire la unidad inalámbrica de la ranura mientras se esté suministrando energía a la herramienta. El hacerlo podría causar una avería de la unidad inalámbrica.
18. No retire la etiqueta en la unidad inalámbrica.
19. No coloque ninguna etiqueta en la unidad inalámbrica.
20. No deje la unidad inalámbrica en un lugar donde pueda generarse electricidad estática o ruido eléctrico.
21. No deje la unidad inalámbrica en un lugar sujeto a temperaturas altas, tal como un vehículo estacionado bajo el sol.
22. No deje la unidad inalámbrica en un lugar donde haya polvo o suciedad ni en un lugar donde pueda generarse gas corrosivo.
23. Los cambios repentinos de temperatura podrían humedecer la unidad inalámbrica. No utilice la unidad inalámbrica hasta que la condensación se haya secado por completo.
24. Cuando vaya a limpiar la unidad inalámbrica, hágalo cuidadosamente usando un paño suave seco. No utilice bencina, disolvente, grasa conductora o sustancias similares.
25. Cuando vaya a almacenar la unidad inalámbrica, guárdela en el estuche suministrado o en un contenedor libre de electricidad estática.
26. No inserte ningún otro dispositivo que no sea la unidad inalámbrica de Makita en la ranura de la herramienta.
27. No utilice la herramienta si la tapa de la ranura está dañada. La entrada de agua, polvo o suciedad en la ranura podría causar una avería.
28. No jale ni tuerza la tapa de la ranura más de lo necesario. Vuelva a colocar la tapa si ésta se sale de la herramienta.
29. Reemplace la tapa de la ranura si llega a perderse o dañarse.

## GUARDE ESTAS INSTRUCCIONES.

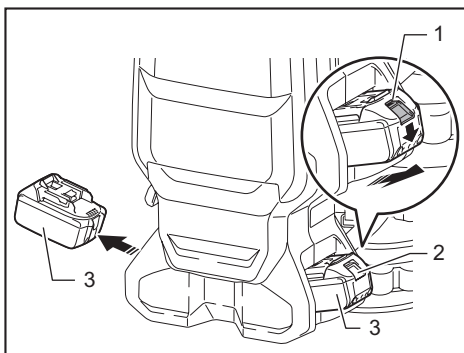
## DESCRIPCIÓN DEL FUNCIONAMIENTO

**⚠PRECAUCIÓN:** Asegúrese siempre de que el aparato esté apagado y que el cartucho de la batería haya sido extraído antes de realizar cualquier ajuste o revisión del funcionamiento del aparato.

## Instalación o extracción del cartucho de batería

**⚠PRECAUCIÓN:** Apague siempre el aparato antes de instalar o extraer el cartucho de la batería.

**⚠PRECAUCIÓN:** Sujete el aparato y el cartucho de la batería con firmeza al colocar o quitar el cartucho de la batería. Si no se sujeta con firmeza el aparato y el cartucho de la batería, puede ocasionar que se resbalen de sus manos resultando en daños al aparato y al cartucho de la batería, así como lesiones a la persona.



► 1. Indicador rojo 2. Botón 3. Cartucho de batería

Para quitar el cartucho de batería, deslícelo del aparato mientras desliza el botón sobre la parte delantera del cartucho.

Para colocar el cartucho de batería, alinee la lengüeta sobre el cartucho de batería con la ranura en la carcasa y deslice en su lugar. Inserte por completo hasta que se fije en su lugar con un pequeño clic. Si puede ver el indicador rojo del lado superior del botón, esto indica que no ha quedado fijo por completo.

**⚠PRECAUCIÓN:** Siempre introduzca completamente el cartucho de batería hasta que el indicador rojo no pueda verse. De no hacerlo, éste podría salirse accidentalmente del aparato, ocasionándole lesiones a usted o a alguien cerca de usted.

**⚠PRECAUCIÓN:** No instale el cartucho de batería a la fuerza. Si el cartucho no se desliza al interior fácilmente, se debe a que no está siendo insertado correctamente.

## Sistema de protección del aparato/batería

El aparato está equipado con un sistema de protección del aparato/batería. Este sistema corta automáticamente la alimentación al motor para prolongar la vida del aparato y la batería. El aparato se detendrá automáticamente durante la operación si el aparato o la batería se someten a una de las siguientes condiciones.

### Protección contra sobrecarga

Cuando el aparato se está utilizando de manera que causa que consuma una cantidad de corriente inusualmente alta, el aparato se detiene automáticamente sin que haya indicación alguna. En esta situación, apague el aparato y detenga la aplicación que haya causado que el aparato se sobrecargara. Luego encienda el aparato para volver a arrancarlo.

### Protección contra sobrecalentamiento

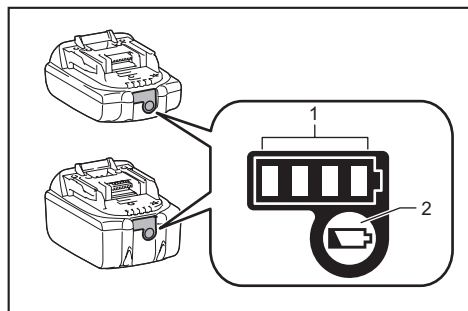
Cuando el aparato se sobrecaliente, el aparato se detiene automáticamente. Deje que el aparato se enfríe antes de volverlo a encender.

### Protección contra sobredescarga

Cuando la capacidad de la batería es baja, el aparato se detiene automáticamente. Si el producto no funciona incluso cuando los interruptores están siendo operados, retire las baterías del aparato y cárguelas.

## Indicación de la capacidad restante de la batería

*Únicamente para cartuchos de batería con el indicador*



► 1. Luces indicadoras 2. Botón de verificación

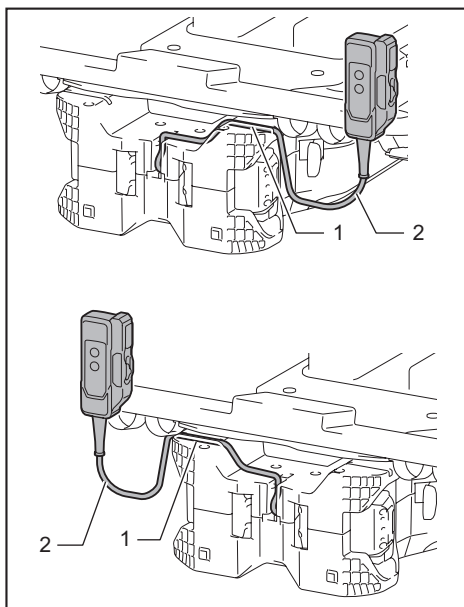
Oprima el botón de verificación en el cartucho de la batería para que indique la capacidad restante de la batería. Las luces indicadoras se iluminarán por algunos segundos.

Luces indicadoras			Capacidad restante
Iluminadas	Apagadas	Parpadeando	
■ ■ ■ ■	□ □ □ □	▬	75% a 100%
■ ■ ■ □	□ □ □ □	▬	50% a 75%
■ ■ □ □	□ □ □ □	▬	25% a 50%
■ □ □ □	□ □ □ □	▬	0% a 25%
▬ □ □ □	□ □ □ □	▬	Cargar la batería.
■ ■ □ □	□ □ □ □	▬	La batería pudo haber funcionado mal.
□ □ ■ ■	□ □ □ □	▬	

**NOTA:** Dependiendo de las condiciones de uso y la temperatura ambiente, la indicación podrá diferir ligeramente de la capacidad real.

## Posición de la caja del interruptor

La caja del interruptor puede engancharse en cualquiera de los lados de la correa inferior. Coloque el cable de manera que la caja del interruptor quede del lado que desee. Para evitar daños al cable, haga que éste pase a través de la muesca tal como se muestra en la ilustración.

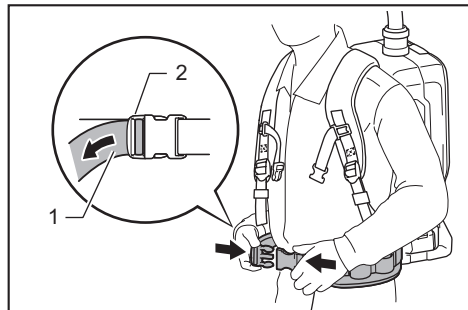


► 1. Ranura 2. Cable

## Ajuste de las correas

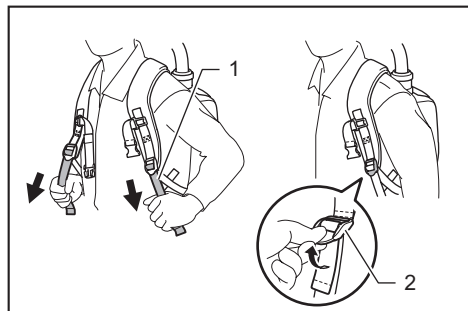
Lo apretado de las correas para hombro y las correas superior e inferior puede ser ajustado. Introduzca sus brazos a través de las correas para hombro primero y luego fije las correas inferior y superior. Para apretar, jale el extremo de la correa tal como se ilustra. Para aflojar, jale el extremo del sujetador.

### Correa inferior



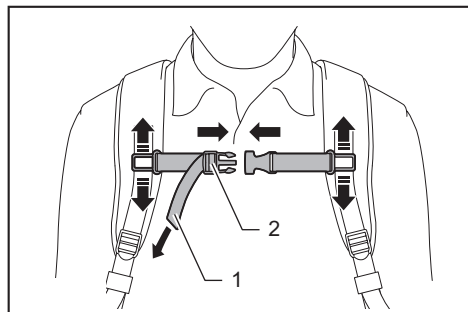
► 1. Correa 2. Sujetador

### Correas para hombro



► 1. Correa 2. Sujetador

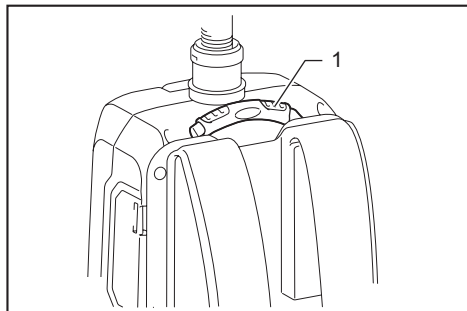
### Correa superior



► 1. Correa 2. Sujetador

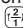
## Gancho de sujeción

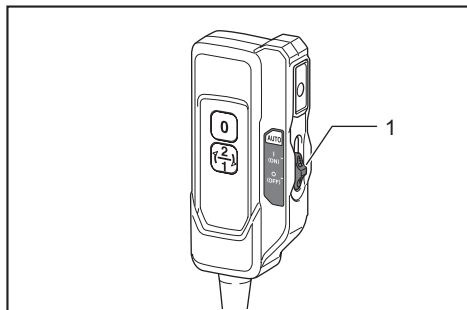
Siempre agarre el gancho de sujeción cuando manipule el cuerpo de la aspiradora.



► 1. Gancho de sujeción

## Interruptor de modo en espera

El interruptor de modo en espera es el que sirve para encender/apagar la función de activación inalámbrica. La aspiradora está en el estado de modo de espera con independencia de la posición del interruptor, y funciona cuando se oprime el botón .

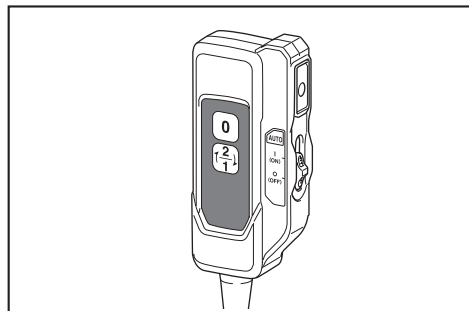


► 1. Interruptor de modo en espera

Posición del interruptor		Estado
AUTO	I (ON)	La aspiradora está en el estado de modo de espera y la función de activación inalámbrica está disponible.
	O (OFF)	La aspiradora está en el estado de modo de espera, pero la función de activación inalámbrica no está disponible.

## Accionamiento del interruptor

Para comenzar a aspirar, oprima el botón (2) una vez. La aspiradora arrancará en el mismo nivel de potencia de succión que tenía al apagarse. Si oprime el botón (2) mientras la aspiradora está funcionando, la potencia de succión cambiará de nivel entre normal (1) y alto (2). Para apagar la aspiradora, oprima el botón (0).



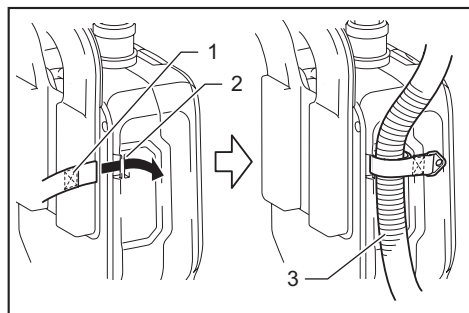
**NOTA:** Si desea operar la aspiradora con el interruptor de la herramienta conectada a la aspiradora (función de activación inalámbrica), ajuste el interruptor de modo en espera en "I (ON)".

**NOTA:** Para hacer uso de la función de activación inalámbrica, termine primero el registro de la herramienta. Consulte la sección "FUNCIÓN DE ACTIVACIÓN INALÁMBRICA" para más detalles.

**NOTA:** Si usa la función de activación inalámbrica, no podrá detener la aspiradora con el botón (0).

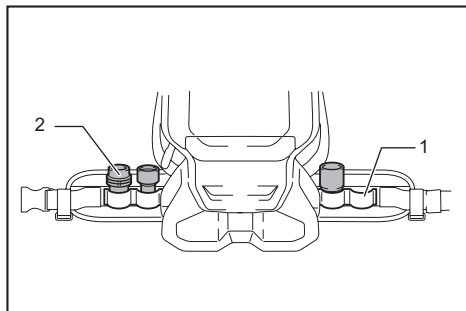
## Abrazadera de la manguera

La abrazadera de la manguera puede utilizarse para sujetar la manguera o la boquilla amplia. Para fijar la manguera al cuerpo de la aspiradora, pase la abrazadera de la manguera a través de la ranura en el cuerpo. Usted puede fijar la abrazadera de la manguera en cualquiera de los lados.



- 1. Abrazadera de la manguera 2. Ranura  
3. Manguera

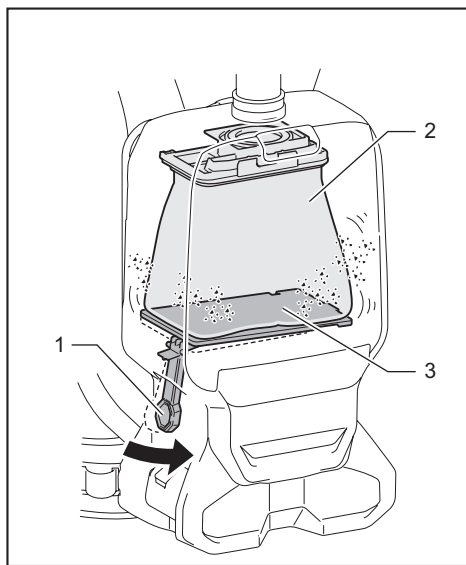
El bucle en la correa inferior se puede utilizar para transportar boquillas, tal como se ilustra.



- 1. Bucle 2. Boquillas

## Sistema para sacudir polvo

El polvo baja cuando tira de la palanca o camina mientras lleva puesta la aspiradora. Este sistema ayuda a la aspiradora a mantener la potencia de succión.



- 1. Palanca 2. Bolsa del filtro/bolsa recolectora de polvo  
3. Tablero

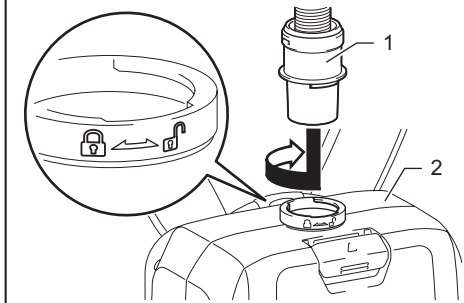
**NOTA:** Esta función trabaja cuando la aspiradora está apagada y la bolsa del filtro/bolsa recolectora de polvo contiene una cierta cantidad de polvo que toca el tablero.

# MONTAJE

**⚠ PRECAUCIÓN:** Asegúrese siempre de que el aparato esté apagado y el cartucho de batería haya sido extraído antes de realizar cualquier trabajo en el aparato.

## Ensamble de la manguera

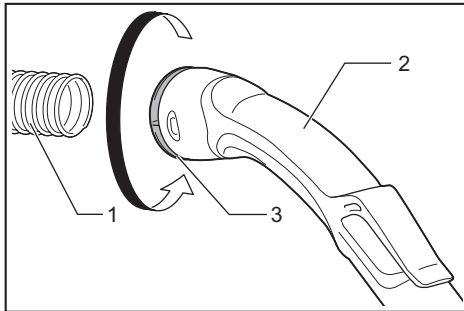
Inserte la boca de la manguera en el cuerpo de la aspiradora y gírela en el sentido de las manecillas del reloj.



► 1. Boca de la manguera 2. Cuerpo de la aspiradora

## Conexión de la herramienta

Si el conjunto de tubo curvo está acoplado a la manguera, afloje el manguito del conjunto de tubo curvo y retírelo.

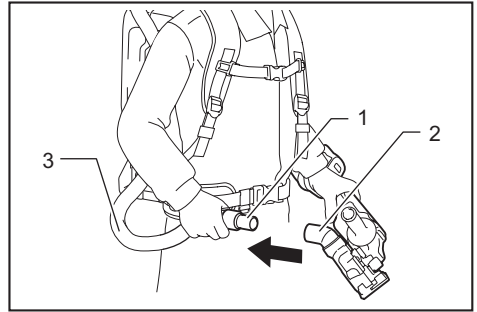


► 1. Manguera 2. Conjunto de tubo curvo 3. Manguito

1. Acople la boca delantera a la manguera de extracción de polvo.

Cuando conecte la boca delantera, asegúrese de que quede bien atornillada en la manguera.

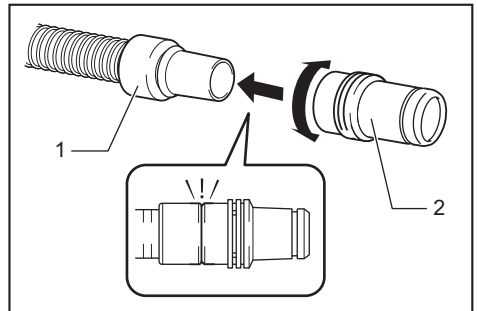
2. Conecte la boca delantera a la salida de extracción de la herramienta.



► 1. Boca delantera 2. Salida de extracción  
3. Manguera

La boca delantera puede desconectarse girándola en sentido inverso al de las manecillas del reloj mientras sostiene la manguera.

**NOTA:** Utilice siempre una boca delantera adecuada. Cuando utilice la boca delantera 24, acóplela a la boca delantera 22 que se encuentra conectada a la manguera.



► 1. Boca delantera 22 2. Boca delantera 24

## Uso como aspiradora

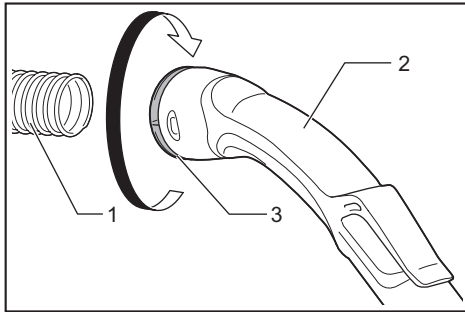
Si desea usar este producto como aspiradora, siga los procedimientos a continuación.

**AVISO:** Si la boca delantera está acoplada a la manguera, extráigala primero.

**NOTA:** El conjunto de tubo curvo, el tubo de extensión y las boquillas se suministran como accesorios opcionales en algunos países.

**NOTA:** Hay dos tipos de conjunto de tubo curvo; uno para el tubo de extensión de tipo corredera y el otro para el tubo de extensión de tipo anillo. Al preparar el conjunto de tubo curvo, elija el que corresponda al tipo de tubo de extensión deseado.

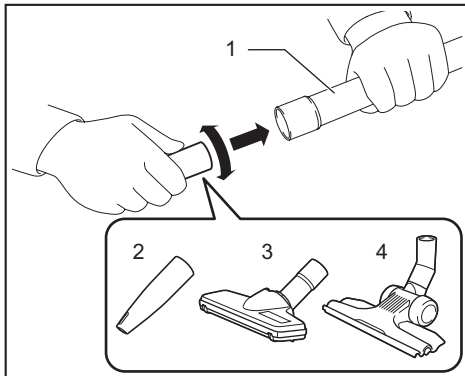
1. Fije el manguito del conjunto de tubo curvo en la manguera.



- 1. Manguera 2. Conjunto de tubo curvo 3. Manguito

Para extraer el conjunto de tubo curvo, afloje el manguito del conjunto de tubo curvo respecto de la manguera.

2. Inserte la boquilla girándola en el tubo de extensión.



- 1. Tubo de extensión 2. Boquilla amplia 3. Boquilla T 4. Boquilla T (delgada)

**NOTA:** Girándola mientras se inserta, la boquilla puede fijarse firmemente al tubo de extensión.

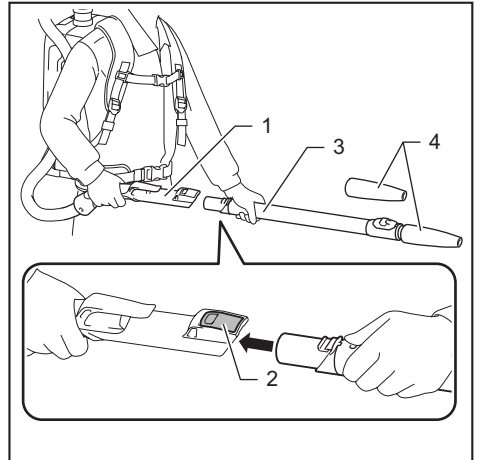
3. Siga los procedimientos a continuación dependiendo del tipo de tubo de extensión:

**NOTA:** El tubo de extensión de tipo corredera y el tubo de extensión de tipo anillo no son compatibles entre sí. Si desea cambiar el tubo de extensión de tipo corredera por el tubo de extensión de tipo anillo o viceversa, cambie todo el conjunto de tubo curvo.

**NOTA:** La boquilla amplia puede fijarse directamente al conjunto de tubo curvo.

#### Para el tubo de extensión de tipo corredera

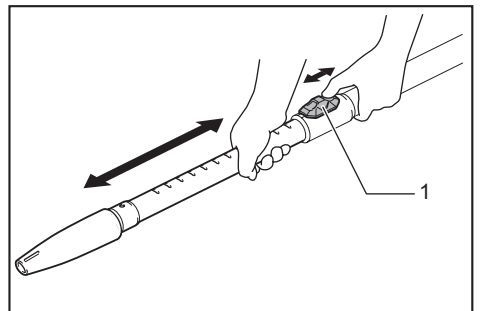
Cárguese al hombro el cuerpo de la aspiradora y a continuación inserte el tubo de extensión en el conjunto de tubo curvo hasta escuchar un clic. Para desconectar, extraiga el tubo de extensión oprimiendo el botón.



- 1. Conjunto de tubo curvo 2. Botón 3. Tubo de extensión de tipo corredera 4. Boquilla amplia

La longitud del tubo puede ser ajustada.

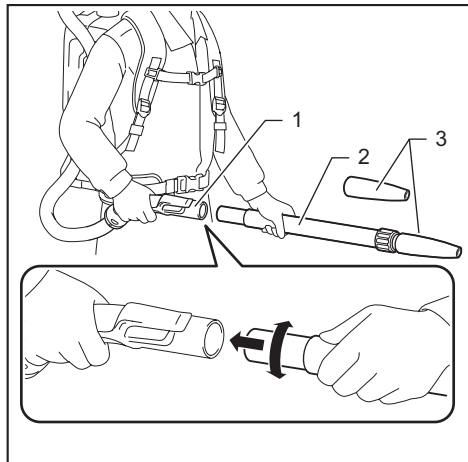
Ajuste la longitud del tubo mientras presiona el botón deslizable. La longitud se bloquea cuando se suelta el botón deslizable.



- 1. Botón deslizable

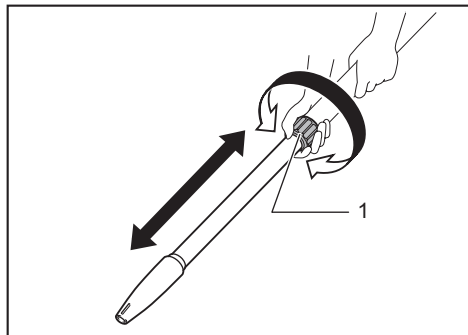
### Para el tubo de extensión de tipo anillo

Cárguese al hombro el cuerpo de la aspiradora y a continuación inserte girando el tubo de extensión en el conjunto de tubo curvo. Para desconectar, extráigalo girándolo.



- 1. Conjunto de tubo curvo 2. Tubo de extensión de tipo anillo 3. Boquilla amplia

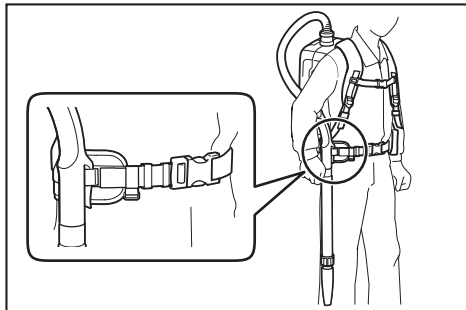
La longitud del tubo puede ser ajustada. Afloje el anillo en el tubo y ajuste la longitud del tubo. Apriete el anillo en la longitud deseada.



- 1. Anillo

### Gancho de la manguera

Cuando suspenda la operación, el gancho en el conjunto de tubo curvo puede utilizarse para colgar el tubo en la correa inferior.



### Instalación de la bolsa del filtro/ bolsa recolectora de polvo

#### Accesorio opcional

**⚠PRECAUCIÓN:** No use una bolsa del filtro dañada. Siempre utilice la aspiradora con la bolsa del filtro instalada correctamente. De lo contrario, el polvo o las partículas aspiradas podrían escapar de la aspiradora y causar una enfermedad respiratoria al operador.

Instale ya sea una bolsa recolectora de polvo o bolsa del filtro antes de utilizar la aspiradora.

- La bolsa recolectora de polvo se puede utilizar varias veces, de manera repetida, si ésta se limpia.
- La bolsa del filtro es de tipo desechable. Deseche por completo la bolsa del filtro sin vaciarlo, cuando ésta se haya llenado.

**AVISO:** Cuando la bolsa del filtro ya esté llena, reemplácela con una nueva. Cuando la bolsa recolectora de polvo ya esté llena, vacíela. El uso continuo de la bolsa del filtro/bolsa recolectora de polvo cuando está llena ocasionará una reducción de la potencia de succión.

**AVISO:** Para evitar que el polvo se introduzca en el motor:

- Asegúrese de instalar la bolsa del filtro/ bolsa recolectora de polvo antes de su uso.
- No utilice una bolsa rota o rasgada.

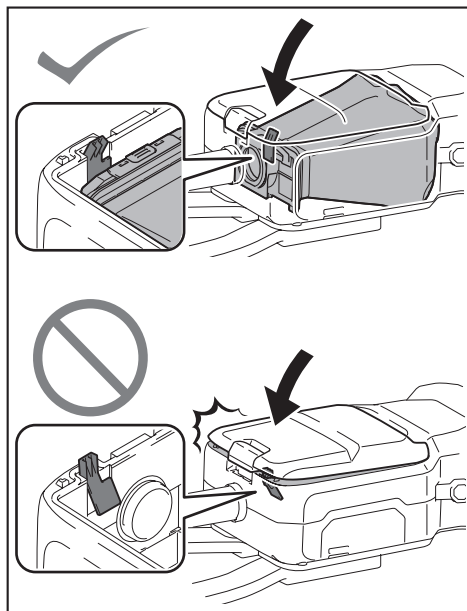
De lo contrario, el motor podría averiarse.

**AVISO:** No doble el cartón en su abertura cuando instale la bolsa del filtro/bolsa recolectora de polvo.

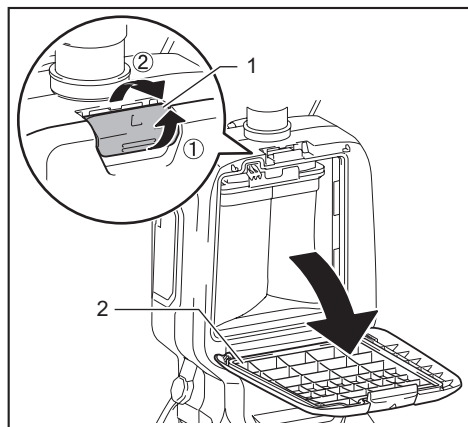
**AVISO:** La bolsa del filtro/bolsa recolectora de polvo de la aspiradora es un componente importante para mantener el buen desempeño del aparato. El utilizar una bolsa del filtro/bolsa recolectora de polvo no original puede ocasionar humo o ignición.



**NOTA:** Cuando la bolsa del filtro/bolsa recolectora de polvo no se instalan en la aspiradora, la cubierta delantera no se cierra por completo.

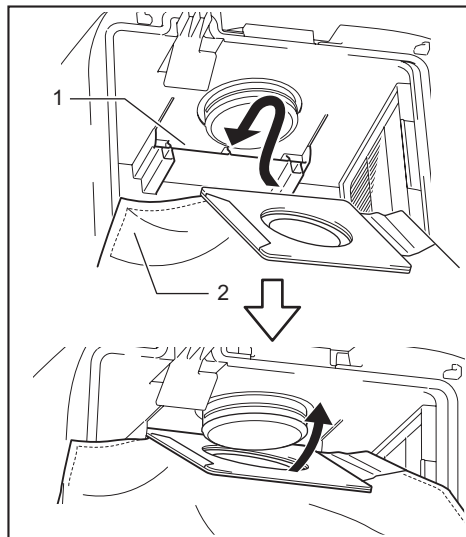


1. Desbloquee la aldabilla levantando la parte inferior. Presione el área ranurada para levantar la parte delantera de la aldabilla. Jale la aldabilla para abrir la tapa.



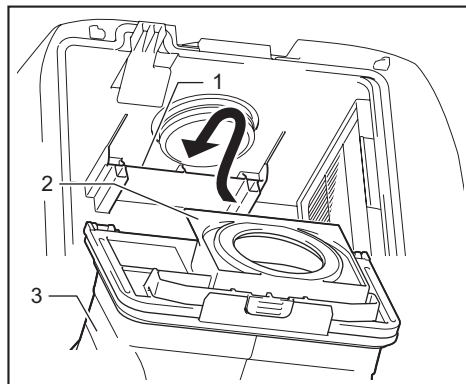
► 1. Gancho 2. Tapa

2. Inserte la bolsa del filtro en la hendidura en la parte superior del compartimento tal como se ilustra.



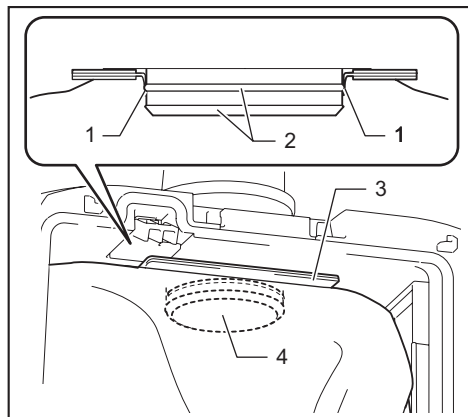
► 1. Hendidura 2. Bolsa del filtro

Cuando utilice la bolsa recolectora de polvo, inserte su reborde en la hendidura.



► 1. Hendidura 2. Reborde 3. Bolsa recolectora de polvo

3. Alinee el orificio de la bolsa del filtro con la boca de la manguera y empuje la parte de cartón hasta el tope. Asegúrese de que la arandela de goma en la bolsa del filtro esté por encima del reborde en la boca de la manguera.



- 1. Arandela de goma en la bolsa del filtro  
2. Reborde en la boca de la manguera 3. Parte de cartón de la bolsa del filtro 4. Boca de la manguera

## OPERACIÓN

**⚠ADVERTENCIA:** Los operadores deberán recibir las instrucciones adecuadas sobre el uso de la aspiradora.

**⚠ADVERTENCIA:** Esta aspiradora no es apropiada para recoger polvo peligroso.

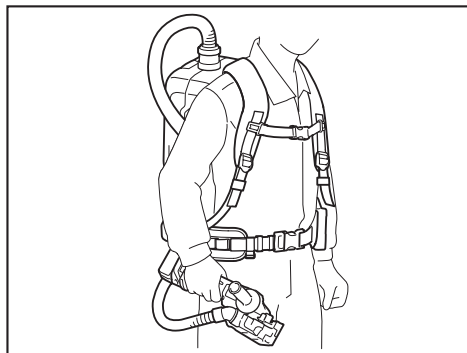
**⚠PRECAUCIÓN:** Esta aspiradora está diseñada exclusivamente para el uso en seco.

**⚠PRECAUCIÓN:** Esta aspiradora debe utilizarse en interiores únicamente.

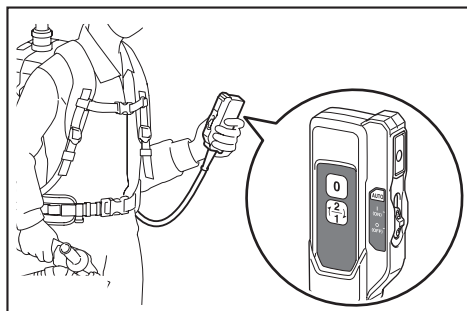
**⚠PRECAUCIÓN:** Siempre inserte completamente el cartucho de batería hasta que quede asegurado en su lugar. Si puede ver el indicador rojo del lado superior del botón, esto indica que no ha quedado completamente asegurado. Insértelo por completo hasta que el indicador rojo no pueda verse. De no hacerlo, éste podría salirse accidentalmente del aparato, ocasionándole lesiones a usted o a alguien cerca de usted.

**⚠PRECAUCIÓN:** Durante la operación, tenga siempre en mente que lleva la aspiradora a la espalda. Podría perder el equilibrio si el cuerpo de la aspiradora choca contra una pared o la manguera se engancha en algún obstáculo.

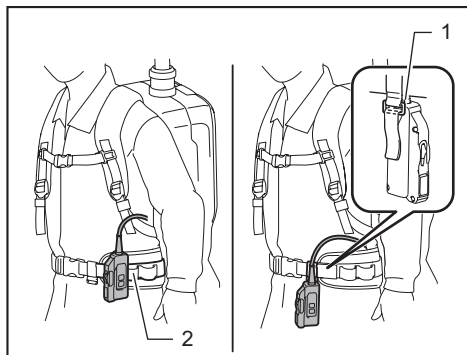
1. Cargue al hombro el cuerpo de la aspiradora y fije las correas inferior y superior. Ajuste lo apretado según sea necesario.



2. Oprima el botón  $\left(\frac{2}{1}\right)$  para comenzar a aspirar. Para cambiar la potencia de succión, pulse el botón  $\left(\frac{2}{1}\right)$  mientras la aspiradora está en funcionamiento. La potencia de succión se conmuta entre normal (1) y alto (2). Oprima el botón 0 para parar.

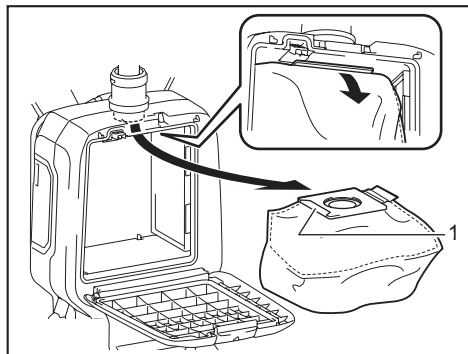


Durante la operación, enganche la caja del interruptor en la correa inferior o el anillo.



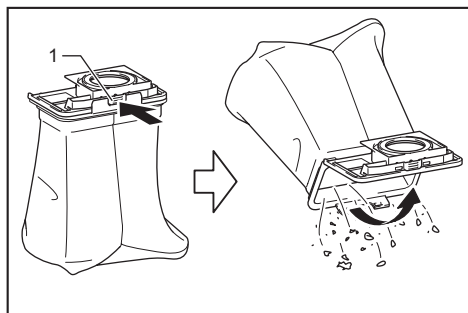
- 1. Anillo 2. Correa inferior

3. Reemplace la bolsa del filtro cuando esté llena. Abra la tapa y extraiga la bolsa del filtro. Jale la tira en el lado de la abertura para cerrar la bolsa del filtro y desechar la bolsa del filtro completa.



► 1. Tira

Cuando utilice una bolsa recolectora de polvo, retire la bolsa recolectora de polvo y deseche el polvo liberando la aldabilla.



► 1. Aldabilla

**AVISO:** No ponga la bolsa del filtro/bolsa recolectora de polvo u otros objetos pesados sobre la tapa. El aparato podría caerse.

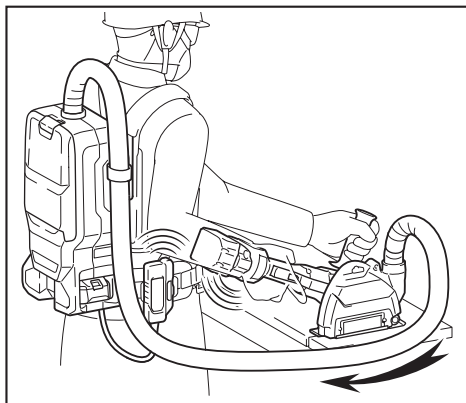
**AVISO:** Inspeccione periódicamente la bolsa del filtro para ver si está llena. El uso continuo de la bolsa del filtro cuando está llena ocasionará una reducción de la potencia de succión.

**AVISO:** No utilice una bolsa del filtro usada. La bolsa del filtro está diseñada para usarse una sola vez. El uso repetido de la bolsa del filtro puede causar el atasco del filtro y daños a la aspiradora. Si desea utilizar la bolsa repetidamente, utilice una bolsa recolectora de polvo.

## FUNCIÓN DE ACTIVACIÓN INALÁMBRICA

### Lo que puede hacer con la función de activación inalámbrica

La función de activación inalámbrica permite una operación limpia y cómoda. Si conecta a la aspiradora una herramienta compatible, podrá hacer que la aspiradora funcione automáticamente al activar el interruptor de la herramienta.



**AVISO:** Asegúrese de consultar el manual de instrucciones de la herramienta cuando utilice la aspiradora con la función de activación inalámbrica.

**AVISO:** No desarme ni modifique la unidad inalámbrica.

**AVISO:** Para impedir que entre el polvo en la ranura de la unidad inalámbrica, cierre siempre bien la tapa durante la operación o el almacenamiento.

**AVISO:** No retire la unidad inalámbrica mientras se esté suministrando electricidad. De lo contrario se podría causar una avería de la unidad inalámbrica.

**AVISO:** No oprima el botón de activación inalámbrica demasiado fuerte ni lo haga con ningún objeto que tenga un borde filoso.


**NOTA:** La activación inalámbrica requiere que la unidad inalámbrica esté equipada con herramientas Makita.


**NOTA:** Antes de usar por primera vez la función de activación inalámbrica con cada herramienta, es necesario registrar la herramienta. Una vez finalizado el registro de la herramienta, éste no será necesario de nuevo a menos que haya sido cancelado.

**NOTA:** Antes del registro, asegúrese de que la unidad inalámbrica haya sido insertada correctamente.

**NOTA:** Una unidad inalámbrica puede registrar hasta 10 enlaces con otras unidades inalámbricas. Si se registran más de otras 10 unidades inalámbricas a una unidad inalámbrica, la registrada al principio se cancelará automáticamente.

**NOTA:** La posición del botón de activación inalámbrica varía en función de la herramienta.

**NOTA:** La aspiradora también puede ponerse en marcha oprimiendo el botón  cuando el interruptor de modo en espera está ajustado en "I (ON)".

Sin embargo, el botón  no funcionará cuando la función de activación inalámbrica se esté utilizando.

## Instalación de la unidad inalámbrica

**⚠ PRECAUCIÓN:** Coloque la aspiradora sobre una superficie plana y estable cuando vaya a instalar la unidad inalámbrica.

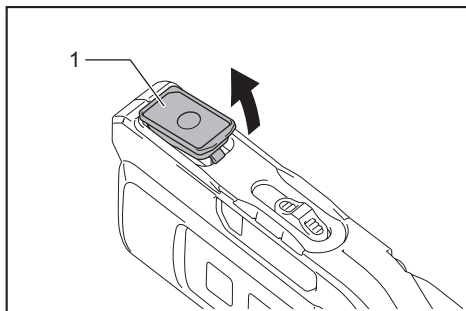
**AVISO:** Limpie el polvo y la suciedad en la aspiradora antes de instalar la unidad inalámbrica.

El polvo o la suciedad podrían causar una avería si llegan a introducirse en la ranura de la unidad inalámbrica.

**AVISO:** Para evitar una avería a causa de la electricidad estática, toque un material de descarga de electricidad estática, tal como una pieza metálica antes de levantar la unidad inalámbrica.

**AVISO:** Cuando vaya a instalar la unidad inalámbrica, asegúrese siempre de que ésta sea insertada en la dirección correcta y que la tapa esté completamente cerrada.

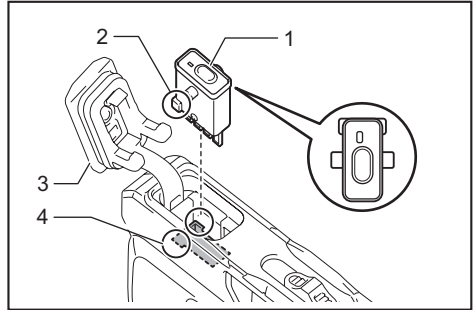
1. Abra la tapa de la aspiradora tal como se muestra en la ilustración.



► 1. Tapa

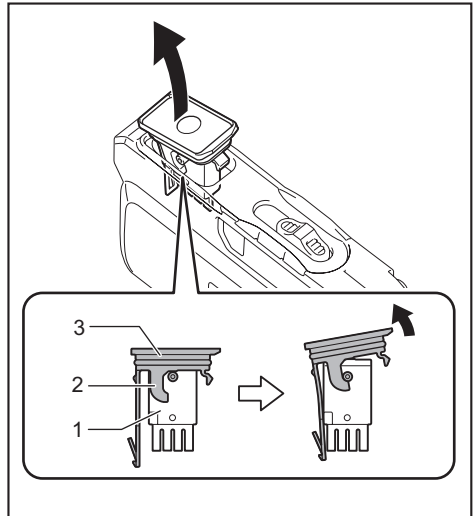
2. Inserte la unidad inalámbrica en la ranura y luego cierre la tapa.

Cuando inserte la unidad inalámbrica, alinee las partes salientes con las partes cóncavas en la ranura.



► 1. Unidad inalámbrica 2. Parte saliente 3. Tapa  
4. Parte cóncava

Cuando extraiga la unidad inalámbrica, abra la tapa lentamente. Los ganchos en la parte posterior de la tapa levantarán la unidad inalámbrica mientras usted jala hacia arriba la tapa.



► 1. Unidad inalámbrica 2. Gancho 3. Tapa

Una vez extraída la unidad inalámbrica, guárdela en el estuche suministrado o en un contenedor libre de electricidad estática.

**AVISO:** Use siempre los ganchos en la parte posterior de la tapa cuando extraiga la unidad inalámbrica. Si los ganchos no sujetan la unidad inalámbrica, cierre la tapa por completo y vuelva a abrirla lentamente.

## Registro de herramientas para la aspiradora

**NOTA:** Para el registro de la herramienta, se requiere una herramienta Makita compatible con la función de activación inalámbrica.

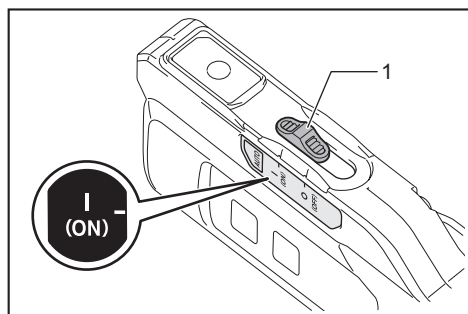
**NOTA:** Termine de instalar la unidad inalámbrica en la herramienta antes de comenzar con el registro de la herramienta.

**NOTA:** Durante el registro de la herramienta, no jale el gatillo interruptor en la herramienta ni oprima el interruptor de encendido de la aspiradora.

**NOTA:** Consulte también el manual de instrucciones de la herramienta.

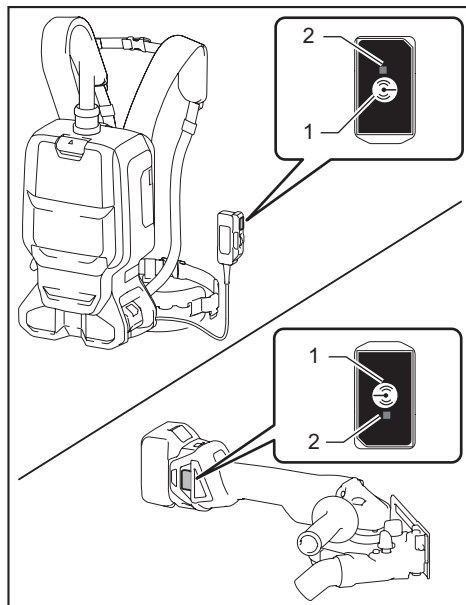
Si desea activar la aspiradora junto con el interruptor de activación de la herramienta, termine antes con el registro de la herramienta.

1. Instale las unidades inalámbricas en la aspiradora y en la herramienta respectivamente.
2. Instale las baterías en la aspiradora y en la herramienta.
3. Ajuste el interruptor de modo en espera en la aspiradora en "I (ON)".



- 1. Interruptor de modo en espera

4. Oprima el botón de activación inalámbrica en la aspiradora durante 3 segundos hasta que la luz indicadora de activación inalámbrica parpadee en verde. Y luego oprima el botón de activación inalámbrica en la herramienta de la misma manera.



- 1. Botón de activación inalámbrica 2. Luz indicadora de activación inalámbrica

Si la aspiradora y la herramienta han sido conectadas exitosamente, las luces indicadoras de activación inalámbrica se encenderán en verde durante 2 segundos y comenzarán a parpadear en azul.

**NOTA:** Las luces indicadoras de activación inalámbrica terminarán parpadeando en verde después de un lapso de 20 segundos. Oprima el botón de activación inalámbrica en la herramienta mientras la luz indicadora de activación inalámbrica en la aspiradora esté parpadeando. Si la luz indicadora de activación inalámbrica no parpadea en verde, oprima el botón de activación inalámbrica durante un lapso breve y vuelva a mantenerlo oprimido.

**NOTA:** Cuando realice dos o más registros de herramientas para una aspiradora, termine el registro de las herramientas de uno en uno.

## Inicio de la función de activación inalámbrica

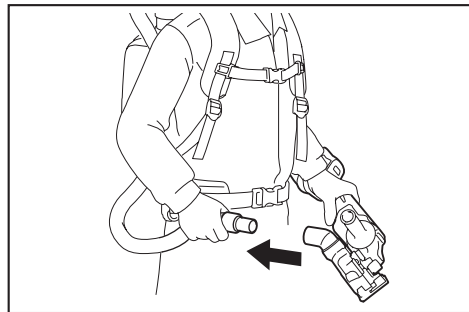
**NOTA:** Termine con el registro de la herramienta en la aspiradora para la activación inalámbrica.

**NOTA:** Coloque siempre la aspiradora de manera que pueda ver el estado de la luz indicadora de activación inalámbrica.

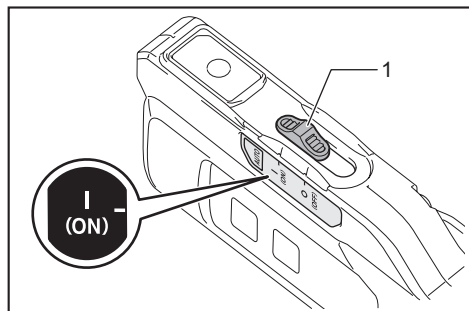
**NOTA:** Consulte también el manual de instrucciones de la herramienta.

Después de registrar una herramienta en la aspiradora, esta última se activará automáticamente junto con el interruptor de activación de la herramienta.

1. Instale las unidades inalámbricas en la aspiradora y en la herramienta respectivamente.
2. Instale las baterías en la aspiradora y en la herramienta.
3. Conecte la manguera de la aspiradora a la herramienta.

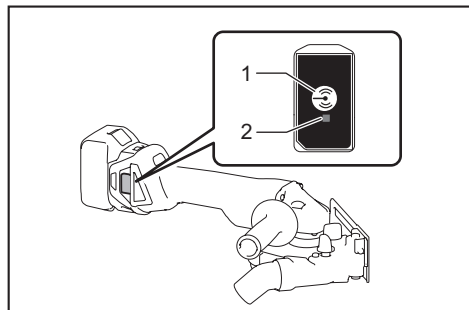


4. Ajuste el interruptor de modo en espera en la aspiradora en "I (ON)". La luz indicadora de activación inalámbrica parpadeará en azul.



- 1. Interruptor de modo en espera

5. Oprima el botón de activación inalámbrica en la herramienta durante un lapso breve. La luz indicadora de activación inalámbrica parpadeará en azul.



- 1. Botón de activación inalámbrica 2. Luz indicadora de activación inalámbrica

6. Jale el gatillo interruptor de la herramienta. Verifique que la aspiradora funcione mientras jala el gatillo interruptor en la herramienta.

**⚠PRECAUCIÓN:** Verifique siempre que funciona la función de activación inalámbrica antes de empezar a trabajar con la herramienta.

Para detener la activación inalámbrica, oprima el botón de activación inalámbrica en la herramienta, o ajuste el interruptor de modo en espera en la aspiradora en "O (OFF)".

**NOTA:** La luz indicadora de activación inalámbrica en la herramienta dejará de parpadear en azul cuando no haya operación durante 2 horas. En este caso, oprima de nuevo los botones de activación inalámbrica en la herramienta.

**NOTA:** La aspiradora se pondrá en marcha/detendrá con un retraso. Existirá un desfase cuando la aspiradora detecte la activación del interruptor de la herramienta.

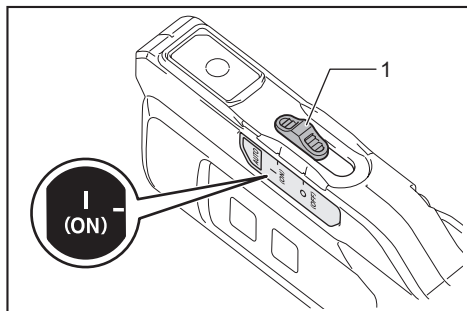
**NOTA:** La distancia de transmisión de la unidad inalámbrica podrá variar en función del lugar y las circunstancias de los alrededores.

**NOTA:** Cuando dos o más herramientas estén registradas en una aspiradora, esta última podrá comenzar a funcionar incluso si usted no jala el gatillo interruptor debido a que otro usuario está utilizando la función de activación inalámbrica.

## Cancelación del registro de herramientas para la aspiradora

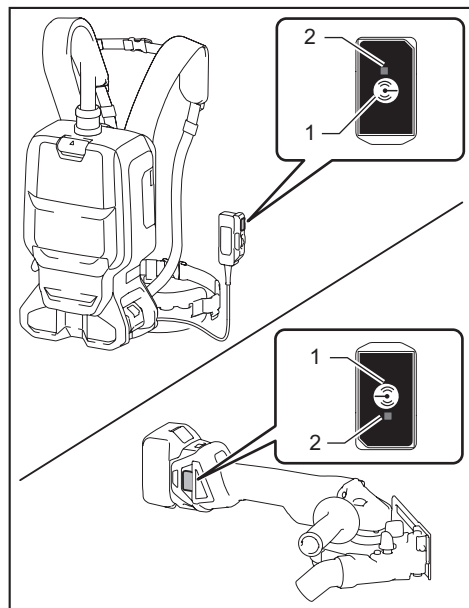
Realice el siguiente procedimiento para cancelar el registro de la herramienta para la aspiradora.

1. Instale las unidades inalámbricas en la aspiradora y en la herramienta respectivamente.
2. Instale las baterías en la aspiradora y en la herramienta.
3. Ajuste el interruptor de modo en espera en la aspiradora en "I (ON)".



- 1. Interruptor de modo en espera

4. Oprima el botón de activación inalámbrica en la aspiradora durante 6 segundos. La luz indicadora de activación inalámbrica parpadeará en verde y luego se pondrá en rojo. Después de eso, oprima el botón de activación inalámbrica en la herramienta de la misma manera.



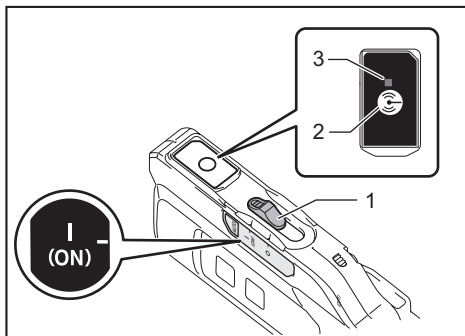
- 1. Botón de activación inalámbrica 2. Luz indicadora de activación inalámbrica

Si la cancelación se realiza exitosamente, las luces indicadoras de activación inalámbrica se encenderán en rojo durante 2 segundos y comenzarán a parpadear en azul.

**NOTA:** Las luces indicadoras de activación inalámbrica terminarán parpadear en rojo después de un lapso de 20 segundos. Oprima el botón de activación inalámbrica en la herramienta mientras la luz indicadora de activación inalámbrica en la aspiradora esté parpadeando. Si la luz indicadora de activación inalámbrica no parpadea en rojo, oprima el botón de activación inalámbrica durante un lapso breve y vuelva a mantenerlo oprimido.

## Borrado de todos los registros de herramientas

Usted puede borrar todos los registros de herramientas de la aspiradora como se indica a continuación.

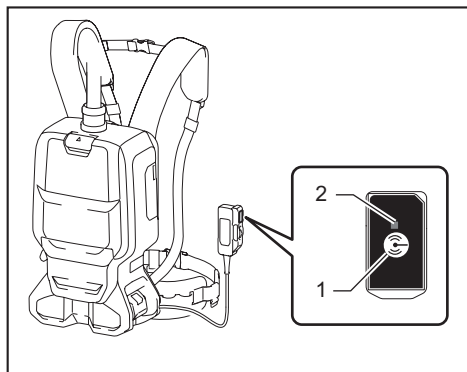


- 1. Interruptor de modo en espera 2. Botón de activación inalámbrica 3. Luz indicadora de activación inalámbrica

1. Instale la unidad inalámbrica en la aspiradora.
2. Instale las baterías en la aspiradora.
3. Ajuste el interruptor de modo en espera en "I (ON)".
4. Mantenga oprimido el botón de activación inalámbrica durante aproximadamente 6 segundos hasta que la luz indicadora de activación inalámbrica parpadee en rojo (cerca de dos veces durante un segundo).
5. Cuando la luz indicadora de activación inalámbrica comience a parpadear en rojo, suelte el botón de activación inalámbrica. Posteriormente, vuelva a mantener oprimido el botón de activación inalámbrica alrededor de 6 segundos.
6. Cuando la luz indicadora de activación inalámbrica comience a parpadear rápidamente en rojo (cerca de 5 veces durante un segundo), suelte el botón de activación inalámbrica. Cuando la luz indicadora de activación inalámbrica se encienda en rojo y luego se apague, todos los registros de herramientas se habrán borrado.

**NOTA:** Si la luz indicadora de activación inalámbrica no parpadea en rojo, oprima el botón de activación inalámbrica durante un lapso breve e inténtelo nuevamente.

## Descripción del estado de la luz indicadora de activación inalámbrica



- 1. Botón de activación inalámbrica 2. Luz indicadora de activación inalámbrica

La luz indicadora de activación inalámbrica muestra el estado de la función de activación inalámbrica. Consulte la tabla a continuación para ver qué significa el estado de la luz indicadora.

Estado	Luz indicadora de activación inalámbrica				Descripción
	Color	■ Encendida	▣ Parpadeando	Duración (aproximada)	
En espera	Azul	▣		Aspiradora: continua Herramienta: 2 horas	Se está esperando el registro de la herramienta o la función de activación inalámbrica está disponible. La luz indicadora en la aspiradora parpadea cuando el interruptor de modo en espera está ajustado en "I (ON)". La luz indicadora en la herramienta parpadea cuando se presiona el botón de activación inalámbrica. La luz indicadora en la herramienta se apaga automáticamente cuando no se realiza ninguna operación durante 2 horas.
		■		Cuando la herramienta está funcionando.	La activación inalámbrica de la aspiradora está disponible y la herramienta está funcionando.
Registro de la herramienta	Verde	▣		20 segundos	Ya se puede realizar el registro de la herramienta. Se está buscando la herramienta que se va a registrar.
		■		2 segundos	El registro de la herramienta ha terminado. La luz indicadora de activación inalámbrica comenzará a parpadear en azul.
Cancelación/borrado del registro de herramientas	Rojo	▣ (lento: 2 veces/s)		20 segundos	Ya se puede cancelar el registro de la herramienta. Se está buscando la herramienta que se va a cancelar.
		▣ (rápido: 5 veces/s)		Cuando el botón de activación inalámbrica es presionado.	Ya se pueden borrar todos los registros de herramientas.
		■		2 segundos	El registro de la herramienta ha sido cancelado/borrado. La luz indicadora de activación inalámbrica comenzará a parpadear en azul.
Otros	Rojo	■		3 segundos	La energía es suministrada a la unidad inalámbrica y la función de activación inalámbrica está arrancando.
	Apagada	-		-	El interruptor de modo en espera no está ajustado en "I (ON)".



## Detección y solución de problemas para la función de activación inalámbrica

Antes de solicitar alguna reparación, primero realice una inspección por su cuenta. Si detecta algún problema que no esté explicado en el manual, no intente desensamblar la herramienta. En vez de esto, solicite la reparación a un centro de servicio autorizado de Makita, usando siempre piezas de repuesto Makita.

Estado de la anomalía	Causa probable (avería)	Remedio
La luz indicadora de activación inalámbrica no enciende/parpadea.	La unidad inalámbrica no está instalada en la aspiradora y/o la herramienta. La unidad inalámbrica está instalada incorrectamente en la aspiradora y/o la herramienta.	Instale la unidad inalámbrica correctamente.
	La terminal de la unidad inalámbrica y/o la ranura está sucia.	Retire con cuidado el polvo y la suciedad en la terminal de la unidad inalámbrica y limpie la ranura de la aspiradora y/o de la herramienta.
	El botón de activación inalámbrica en la herramienta no se ha oprimido.	Oprima el botón de activación inalámbrica en la herramienta durante un lapso breve. Asegúrese de que la luz indicadora de activación inalámbrica está parpadeando en azul.
	El interruptor de modo en espera en la aspiradora no está ajustado en "I (ON)".	Ajuste el interruptor de modo en espera en la aspiradora en "I (ON)".
	No hay suministro de energía.	Suministre energía a la herramienta y a la aspiradora.
No se puede terminar/cancelar el registro de la herramienta exitosamente.	La unidad inalámbrica no está instalada en la aspiradora y/o la herramienta. La unidad inalámbrica está instalada incorrectamente en la aspiradora y/o la herramienta.	Instale la unidad inalámbrica correctamente.
	La terminal de la unidad inalámbrica y/o la ranura está sucia.	Retire con cuidado el polvo y la suciedad en la terminal de la unidad inalámbrica y limpie la ranura de la aspiradora y/o de la herramienta.
	El interruptor de modo en espera en la aspiradora no está ajustado en "I (ON)".	Ajuste el interruptor de modo en espera en la aspiradora en "I (ON)".
	No hay suministro de energía.	Suministre energía a la herramienta y a la aspiradora.
	Operación incorrecta	Oprima el botón de activación inalámbrica durante un lapso breve y realice los procedimientos de registro/cancelación de la herramienta nuevamente.
	La herramienta y la aspiradora están lejos una de la otra (fuera del rango de transmisión).	Acerque más la herramienta a la aspiradora. La distancia máxima de transmisión es de aproximadamente 10 m, pero puede variar en función de las circunstancias.
	Antes de terminar el registro/cancelación de la herramienta; - el gatillo interruptor en la herramienta se ha jalado; o - el interruptor de la aspiradora para iniciar la aspiración se ha oprimido.	Oprima el botón de activación inalámbrica durante un lapso breve y realice los procedimientos de registro/cancelación de la herramienta nuevamente.
	Los procedimientos de registro para la herramienta o la aspiradora no se han terminado.	Realice los procedimientos de registro tanto para la herramienta como para la aspiradora al mismo tiempo.
La perturbación radioeléctrica generada por otros aparatos que emiten ondas de radio de alta intensidad.	Mantenga la herramienta y la aspiradora lejos de aparatos tales como dispositivos Wi-Fi y hornos de microondas.	

Estado de la anomalía	Causa probable (avería)	Remedio
La aspiradora no funciona junto con el interruptor de activación de la herramienta.	La unidad inalámbrica no está instalada en la aspiradora y/o la herramienta. La unidad inalámbrica está instalada incorrectamente en la aspiradora y/o la herramienta.	Instale la unidad inalámbrica correctamente.
	La terminal de la unidad inalámbrica y/o la ranura está sucia.	Retire con cuidado el polvo y la suciedad en la terminal de la unidad inalámbrica y limpie la ranura de la aspiradora y/o de la herramienta.
	El botón de activación inalámbrica en la herramienta no se ha oprimido.	Oprima el botón de activación inalámbrica en la herramienta durante un lapso breve. Asegúrese de que la luz indicadora de activación inalámbrica está parpadeando en azul.
	El interruptor de modo en espera en la aspiradora no está ajustado en "I (ON)".	Ajuste el interruptor de modo en espera en la aspiradora en "I (ON)".
	Más de 10 herramientas están registradas en la aspiradora.	Vuelva a realizar el registro de la herramienta. Si más de 10 herramientas están registradas en la aspiradora, la herramienta registrada al principio se cancelará automáticamente.
	La aspiradora borró todos los registros de herramientas.	Vuelva a realizar el registro de la herramienta.
	No hay suministro de energía.	Suministre energía a la herramienta y a la aspiradora.
	La herramienta y la aspiradora están lejos una de la otra (fuera del rango de transmisión).	Acerque más la herramienta a la aspiradora. La distancia máxima de transmisión es de aproximadamente 10 m, pero puede variar en función de las circunstancias.
	La perturbación radioeléctrica generada por otros aparatos que emiten ondas de radio de alta intensidad.	Mantenga la herramienta y la aspiradora lejos de aparatos tales como dispositivos Wi-Fi y hornos de microondas.
La aspiradora funciona aun cuando el gatillo interruptor de la herramienta no ha sido jalado.	Otros usuarios están usando la activación inalámbrica de la aspiradora con sus herramientas.	Realice una de las siguientes operaciones: - ajuste el interruptor de modo en espera en la aspiradora en la posición "O"; o - apague el botón de activación inalámbrica en las demás herramientas; o - cancele el registro de la herramienta de las demás herramientas.
No se pueden borrar todos los registros de herramientas en la aspiradora.	El botón de activación inalámbrica en la herramienta está oprimido.	Oprima el botón de activación inalámbrica en la aspiradora para borrar todos los registros de herramientas.
	El interruptor de modo en espera en la aspiradora no está ajustado en "I (ON)".	Ajuste el interruptor de modo en espera en la aspiradora en "I (ON)".
	El botón de activación inalámbrica no se está manteniendo oprimido de forma correcta.	Mantenga oprimido el botón de activación inalámbrica durante más de 6 segundos y luego suéltelo cuando la luz indicadora de activación inalámbrica parpadee en rojo. Mantenga oprimido el botón de activación inalámbrica durante más de 6 segundos nuevamente hasta que el botón de activación inalámbrica parpadee rápidamente en rojo y luego suelte el botón.

## MANTENIMIENTO

**⚠️ PRECAUCIÓN:** Asegúrese siempre de que el aparato haya sido apagado y que el cartucho de batería haya sido extraído antes de intentar realizar una inspección o tarea de mantenimiento.

**AVISO:** Nunca use gasolina, bencina, diluyente (tíner), alcohol o sustancias similares. Puede que esto ocasione grietas o descoloramiento.

Para mantener la SEGURIDAD y FIABILIDAD del producto, las reparaciones, y cualquier otra tarea de mantenimiento o ajuste deberán ser realizadas en centros de servicio autorizados o de fábrica Makita, empleando siempre repuestos Makita.

## Limpeza del filtro HEPA

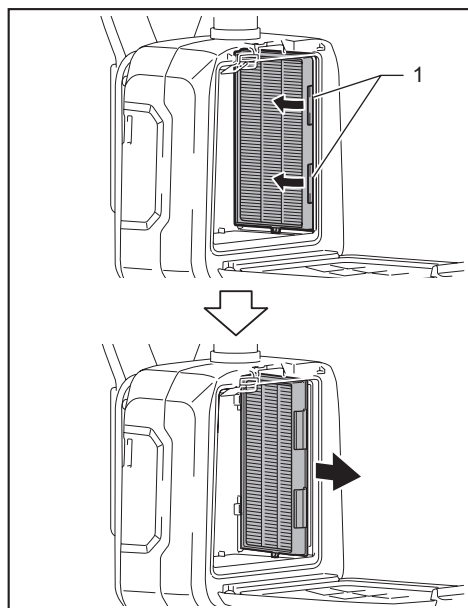
**⚠ PRECAUCIÓN:** No utilice la aspiradora sin un filtro ni continúe usando el filtro sucio o dañado. El polvo o las partículas aspiradas podrían escapar de la aspiradora y causar una enfermedad respiratoria al operador.

**AVISO:** Para mantener una potencia de succión óptima y un escape limpio, limpie el filtro periódicamente. Si no logra obtenerse una potencia de succión suficiente incluso después de la limpieza, reemplace el filtro con uno nuevo.

**AVISO:** Para evitar que el filtro se dañe, no utilice las siguientes herramientas o elementos similares para limpiarlo:

- Sacudidor de aire
- Hidrolavadora de alta presión
- Herramientas hechas de materiales duros, como cepillos metálicos

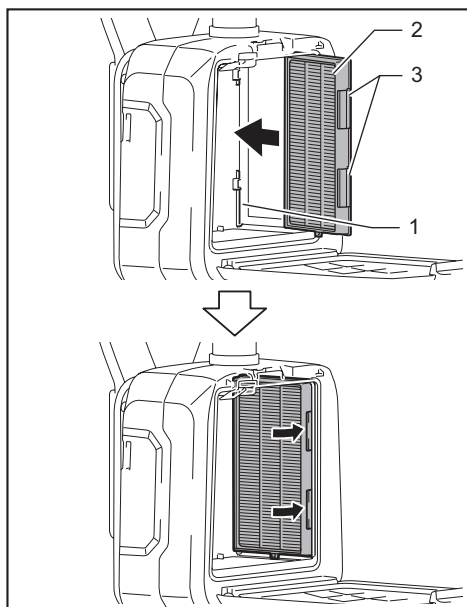
1. Abra la tapa y extraiga la bolsa del filtro/bolsa recolectora de polvo. Libere el gancho en el filtro y retírelo del cuerpo de la aspiradora.



► 1. Gancho

2. Golpee el polvo del filtro. El filtro puede ser lavado con agua. Limpie con agua el polvo y las partículas en el filtro cada 1 o 2 meses. Después de eso, seque por completo el filtro en un lugar a la sombra y bien ventilado para evitar un olor desagradable o un funcionamiento defectuoso.

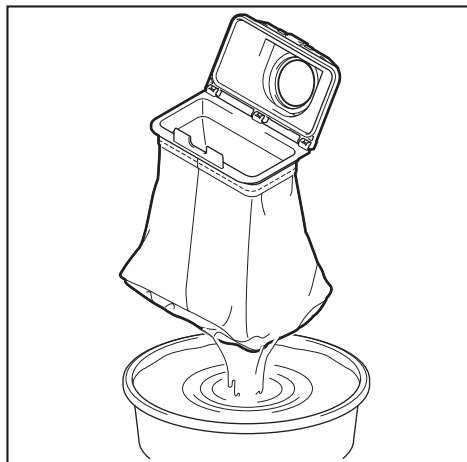
3. Para instalar el filtro, inserte el lado sin los ganchos en la ranura y luego empuje el filtro hacia adentro hasta que los ganchos queden asegurados con un clic.



► 1. Ranura 2. Filtro HEPA 3. Gancho

## Limpeza de la bolsa recolectora de polvo

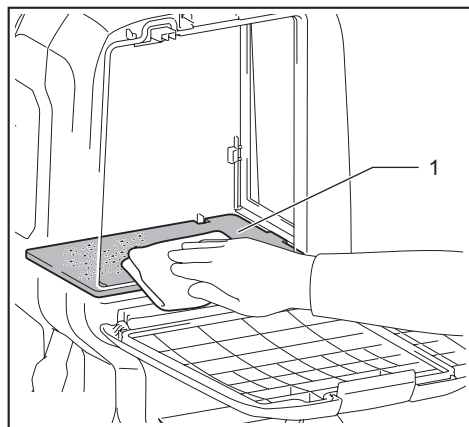
Limpie regularmente la bolsa recolectora de polvo con agua y jabón. Voltee al revés la bolsa recolectora de polvo y retire el polvo adherido. Lávela ligeramente con la mano y enjuague bien con agua. Séquela por completo antes de instalarla en la aspiradora.



**AVISO:** Una bolsa recolectora de polvo húmeda reduce el desempeño del aspirado así como la vida del motor.

## Limpieza del espacio interior de la bolsa del filtro/bolsa recolectora de polvo

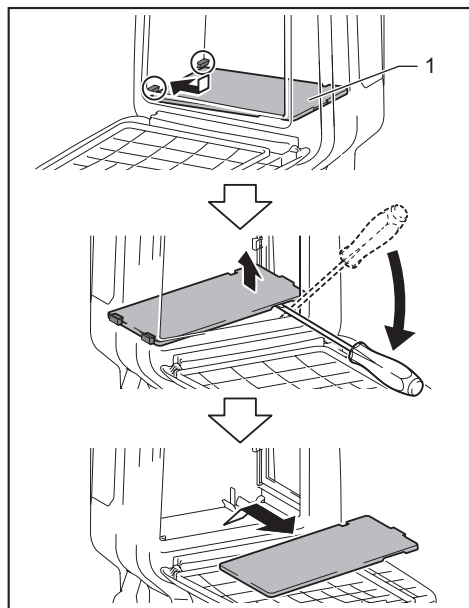
Cuando limpie el espacio interior de la bolsa del filtro/bolsa recolectora de polvo, extraiga y limpie el tablero del interior.



► 1. Tablero

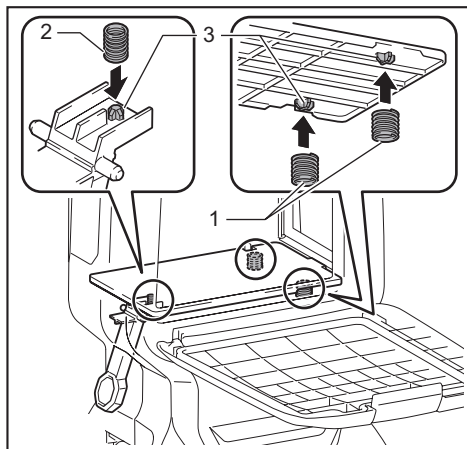
### Extracción del tablero

1. Extraiga el filtro HEPA. Consulte la sección de limpieza del filtro HEPA para ver cómo se retira.
2. Empuje hacia abajo el tablero y deslícelo hacia la izquierda hasta que el tablero toque la pared.
3. Levante el lado derecho del tablero hacia arriba y sáquelo hacia afuera.



► 1. Tablero

El tablero está sostenido mediante tres resortes. Si los resortes se desprendieron del tablero o de la palanca, vuelva a colocarlos como se muestra en la ilustración.

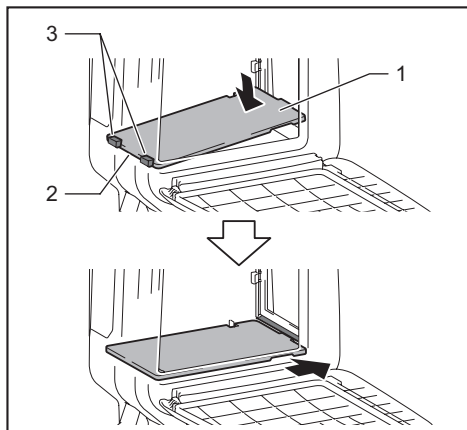


► 1. Resorte para tablero 2. Resorte para palanca 3. Protuberancia

**NOTA:** Fije los resortes de forma segura de modo que los resortes toquen la base de las protuberancias.

### Fijación del tablero

1. Coloque el lado recto del tablero en los sujetadores en el lado inferior izquierdo del espacio interior.
2. Ponga el lado derecho del tablero en su sitio.



► 1. Tablero 2. Lado recto 3. Sujetador

# ACCESORIOS OPCIONALES

**⚠️ PRECAUCIÓN:** Estos accesorios o aditamentos están recomendados para utilizarse con su producto de Makita especificado en este manual.

El uso de cualquier otro accesorio o aditamento puede ocasionar riesgo de lesiones personales. Use los accesorios o aditamentos sólo para los propósitos para los que fueron diseñados.

Si necesita cualquier ayuda para más detalles en relación con estos accesorios, pregunte a su centro de servicio local Makita.

- Manguera (para el tipo extractor de polvo)
- Manguera (para el tipo aspiradora)
- Tubo de extensión
- Boquilla amplia
- Boquilla T
- Boquilla para asientos
- Boquilla para esquinas
- Cepillo para estantes
- Cepillo redondo
- Bolsa del filtro
- Bolsa recolectora de polvo
- Boca delantera
- Filtro HEPA
- Unidad inalámbrica
- Batería y cargador originales de Makita

**NOTA:** Algunos de los artículos en la lista pueden incluirse en el paquete de la herramienta como accesorios estándar. Éstos pueden variar de país a país.

# GARANTÍA LIMITADA DE MAKITA

## Ésta Garantía no aplica para México

Consulte la hoja de la garantía anexa para ver los términos más vigentes de la garantía aplicable a este producto. En caso de no disponer de esta hoja de garantía anexa, consulte los detalles sobre la garantía descritos en el sitio web de su país respectivo indicado a continuación.

Estados Unidos de América: [www.makitatools.com](http://www.makitatools.com)

Canadá: [www.makita.ca](http://www.makita.ca)

Otros países: [www.makita.com](http://www.makita.com)





< USA only >

# WARNING

Some dust created by power sanding, sawing, grinding, drilling, and other construction activities contains chemicals known to the State of California to cause cancer, birth defects or other reproductive harm. Some examples of these chemicals are:

- lead from lead-based paints,
- crystalline silica from bricks and cement and other masonry products, and
- arsenic and chromium from chemically-treated lumber.

Your risk from these exposures varies, depending on how often you do this type of work. To reduce your exposure to these chemicals: work in a well ventilated area, and work with approved safety equipment, such as those dust masks that are specially designed to filter out microscopic particles.

< Sólo en los Estados Unidos >

# ADVERTENCIA

Algunos polvos creados por el lijado, aserrado, esmerilado, taladrado y otras actividades de la construcción contienen sustancias químicas reconocidas por el Estado de California como causantes de cáncer, defectos de nacimiento y otros peligros de reproducción. Algunos ejemplos de estos productos químicos son:

- plomo de pinturas a base de plomo,
- sílice cristalino de ladrillos y cemento y otros productos de albañilería, y
- arsénico y cromo de maderas tratadas químicamente.

El riesgo al que se expone varía, dependiendo de la frecuencia con la que realice este tipo de trabajo. Para reducir la exposición a estos productos químicos: trabaje en un área bien ventilada y póngase el equipo de seguridad indicado, tal como las máscaras contra polvo que están especialmente diseñadas para filtrar partículas microscópicas.

**Makita Corporation**

3-11-8, Sumiyoshi-cho,  
Anjo, Aichi 446-8502 Japan

[www.makita.com](http://www.makita.com)

885746-944  
XCV18-1  
EN, ESMX  
20190802