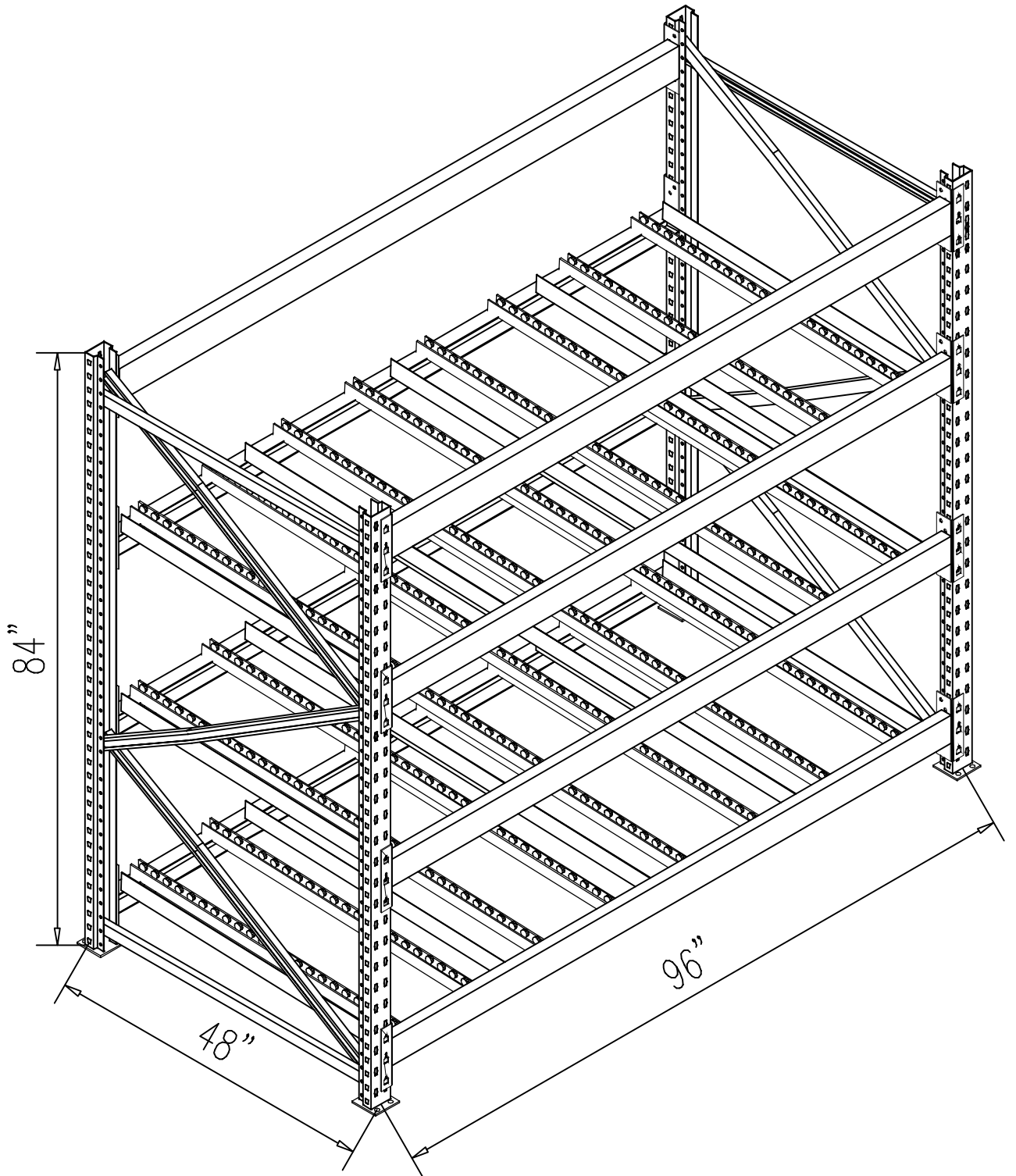
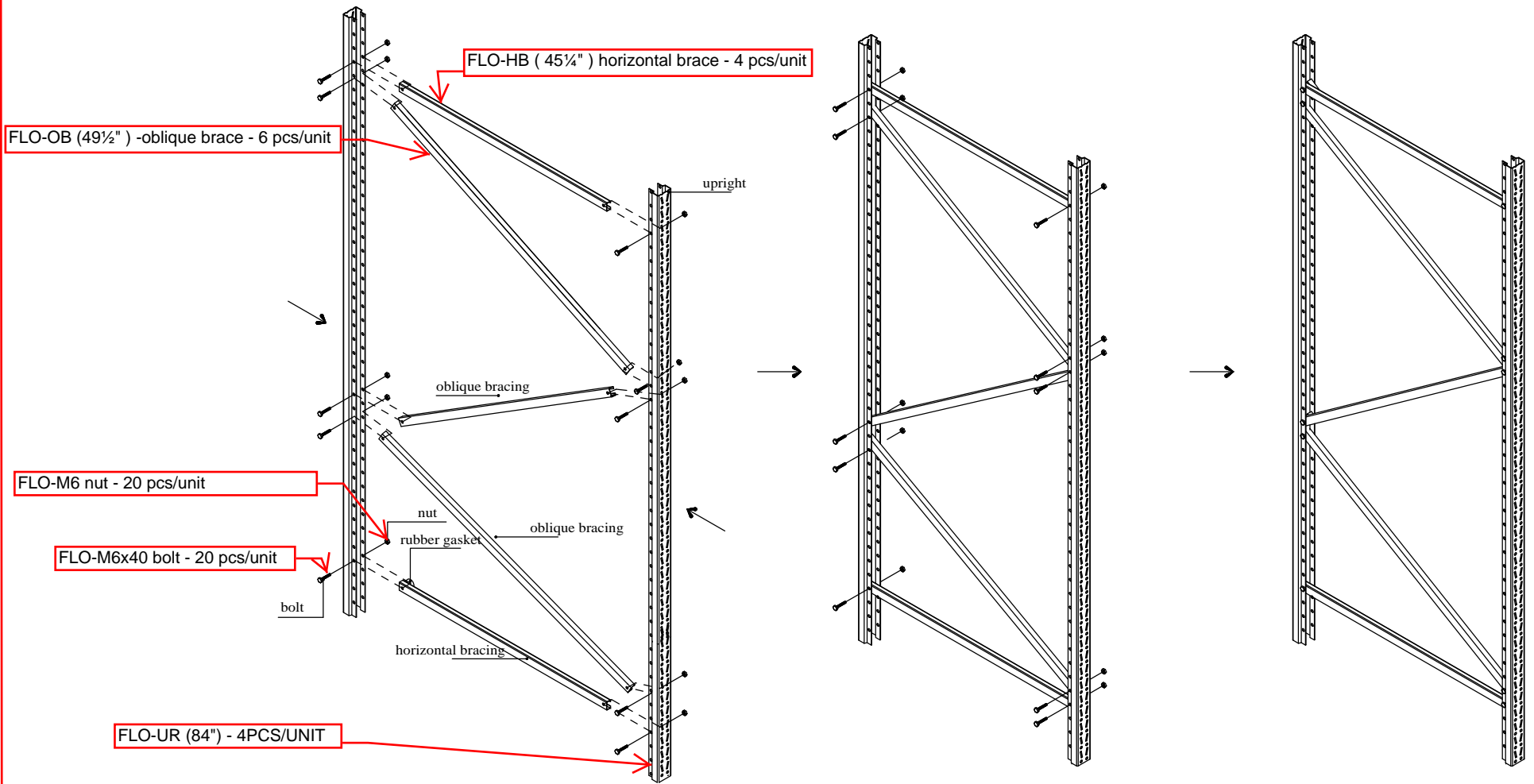
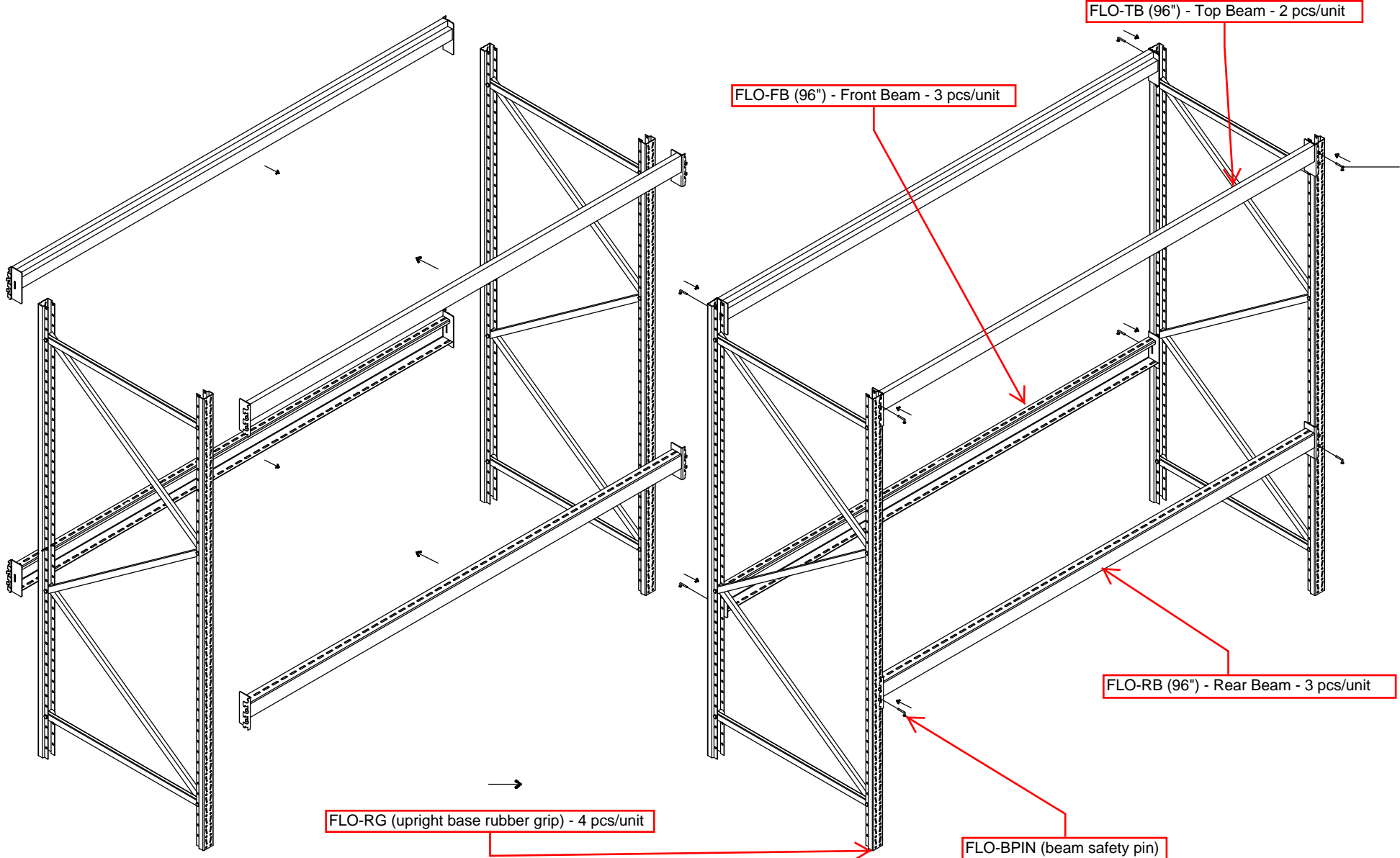


# FLOW 4-3









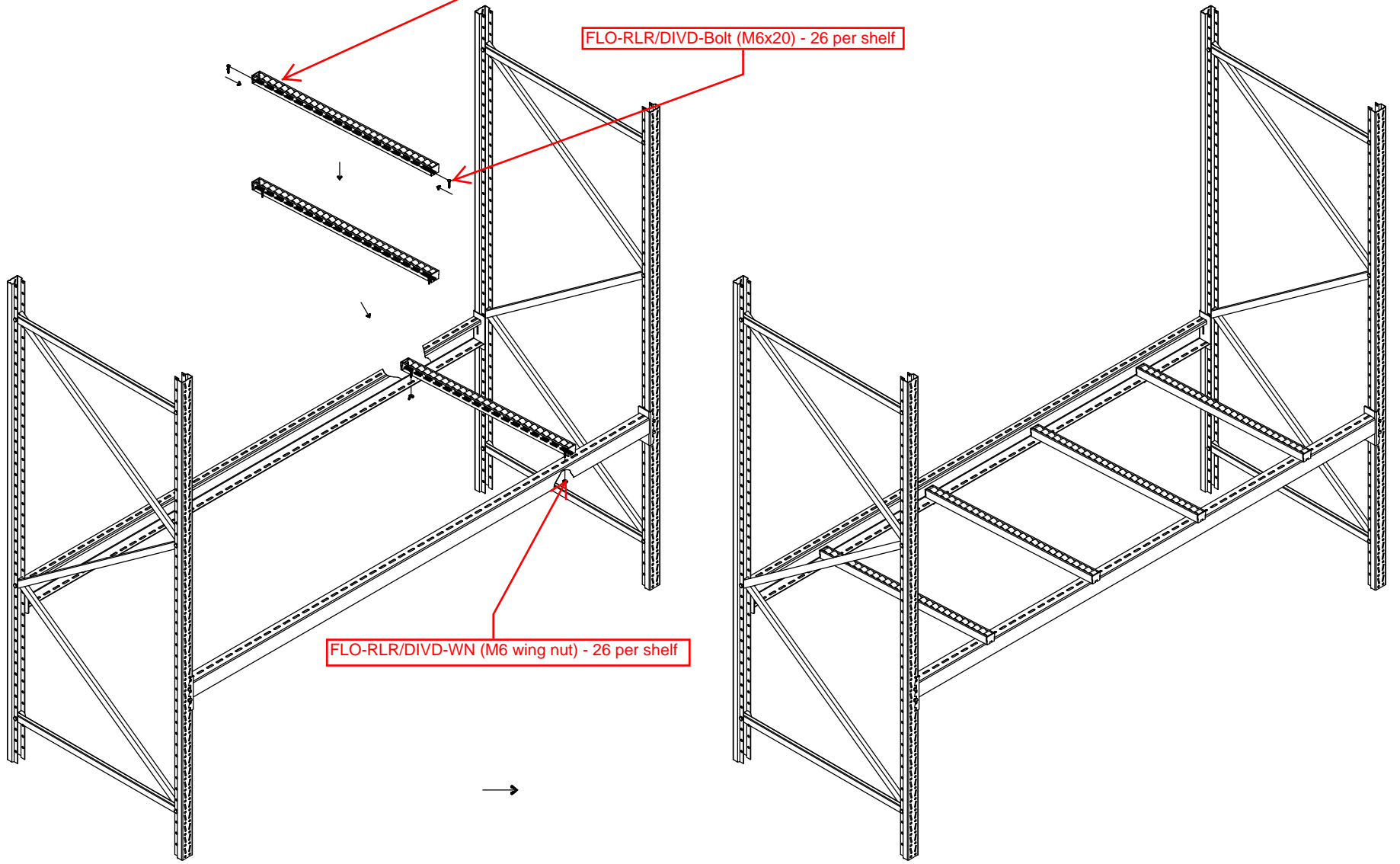
- FLO-BPIN (beam safety pin) - 16 pcs/unit for FLOW-4-3
- FLO-BPIN (beam safety pin) - 20 pcs/unit for FLOW-4-4
- FLO-BPIN (beam safety pin) - 24 pcs/unit for FLOW-4-5

FLO-4-RLR (48") - 8 Rollers per shelf

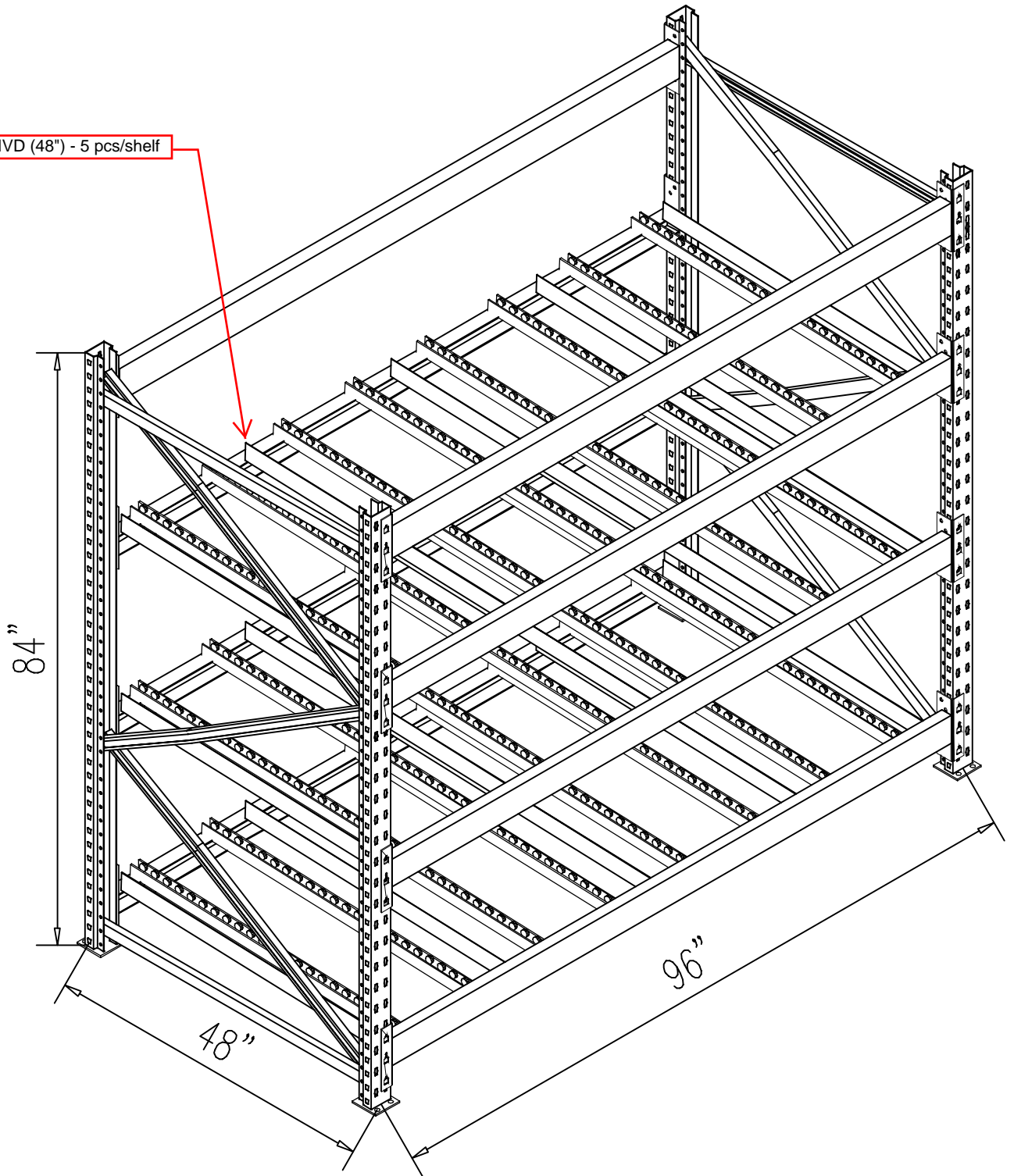
FLO-RLR/DIVD-Bolt (M6x20) - 26 per shelf

FLO-RLR/DIVD-WN (M6 wing nut) - 26 per shelf

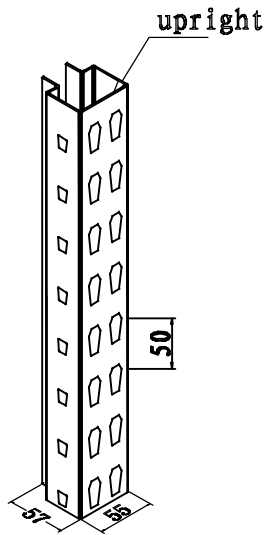
FLO-RLR/DIVD-Bolt (M6x20) - 78 pcs/unit for FLOW-4-3  
FLO-RLR/DIVD-Bolt (M6x20) - 104 pcs/unit for FLOW-4-4  
FLO-RLR/DIVD-Bolt (M6x20) - 130 pcs/unit for FLOW-4-5  
FLO-RLR/DIVD-WN (M6 wing nut) - 78 per unit for FLOW-4-3  
FLO-RLR/DIVD-WN (M6 wing nut) - 104 per unit for FLOW-4-4  
FLO-RLR/DIVD-WN (M6 wing nut) - 130 per unit for FLOW-4-5



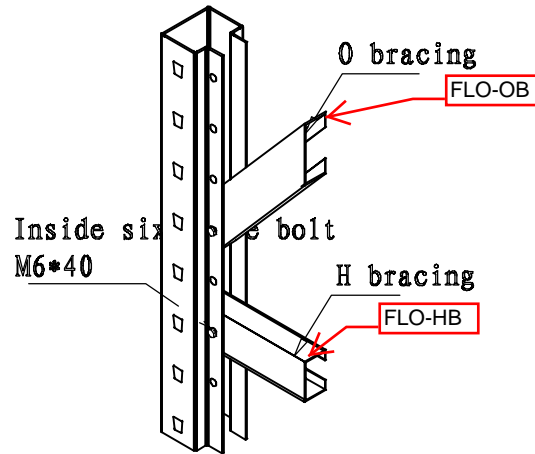
FLO-4-DIVD (48") - 5 pcs/shelf



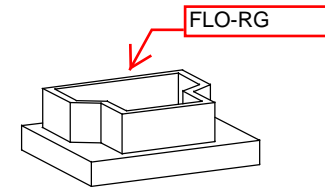
# SECTION DRAWING



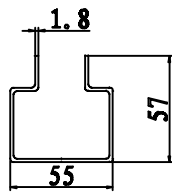
Upright



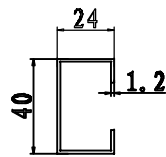
Upright & Bracings



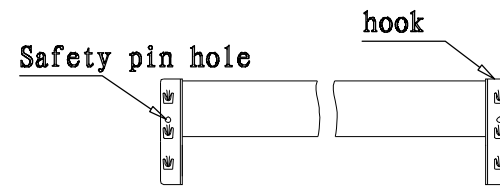
Plastic feet



Upright section



Bracing section



Beam & Hook

### **FLOW-4-3 PARTS LIST**

<b>PART #</b>	<b>DESCRIPTION</b>	<b>QTY.</b>
FLO-4-HB	45¼" Long Horizontal Brace	4/UNIT
FLO-4-OB	49½" Long Oblique Brace	4/UNIT
FLO-HB/OB-BOLT	BOLT, M6-1.0X40	20/UNIT
FLO-HB/OB-NUT	NUT, M6-1.0	20/UNIT
FLO-UR	84", UPRIGHT	4/UNIT
FLO-FB	96", FRONT BEAM	3/UNIT
FLO-RB	96", REAR BEAM	3/UNIT
FLO-TB	96", TOP BEAM	2/UNIT
FLO-RG	UPRIGHT BASE RUBBER GRIP	4/UNIT
FLO-BPIN	BEAM SAFETY PIN (4 PER SHELF)	16/UNIT
FLO-4-RLR	Replacement Roller 48" with hardware	8/SHELF
FLO-4-DIVD	Replacement Divider 48" with hardware	5/SHELF
FLO-RLR-HDW	Hardware To Attach Roller (M6-1.0 x 20 bolts & wing nuts )	2/ROLLER
FLO-DIVD-HDW	Hardware To Attach Divider (M6-1.0 x 20 bolts & wing nuts )	2/DIVIDER