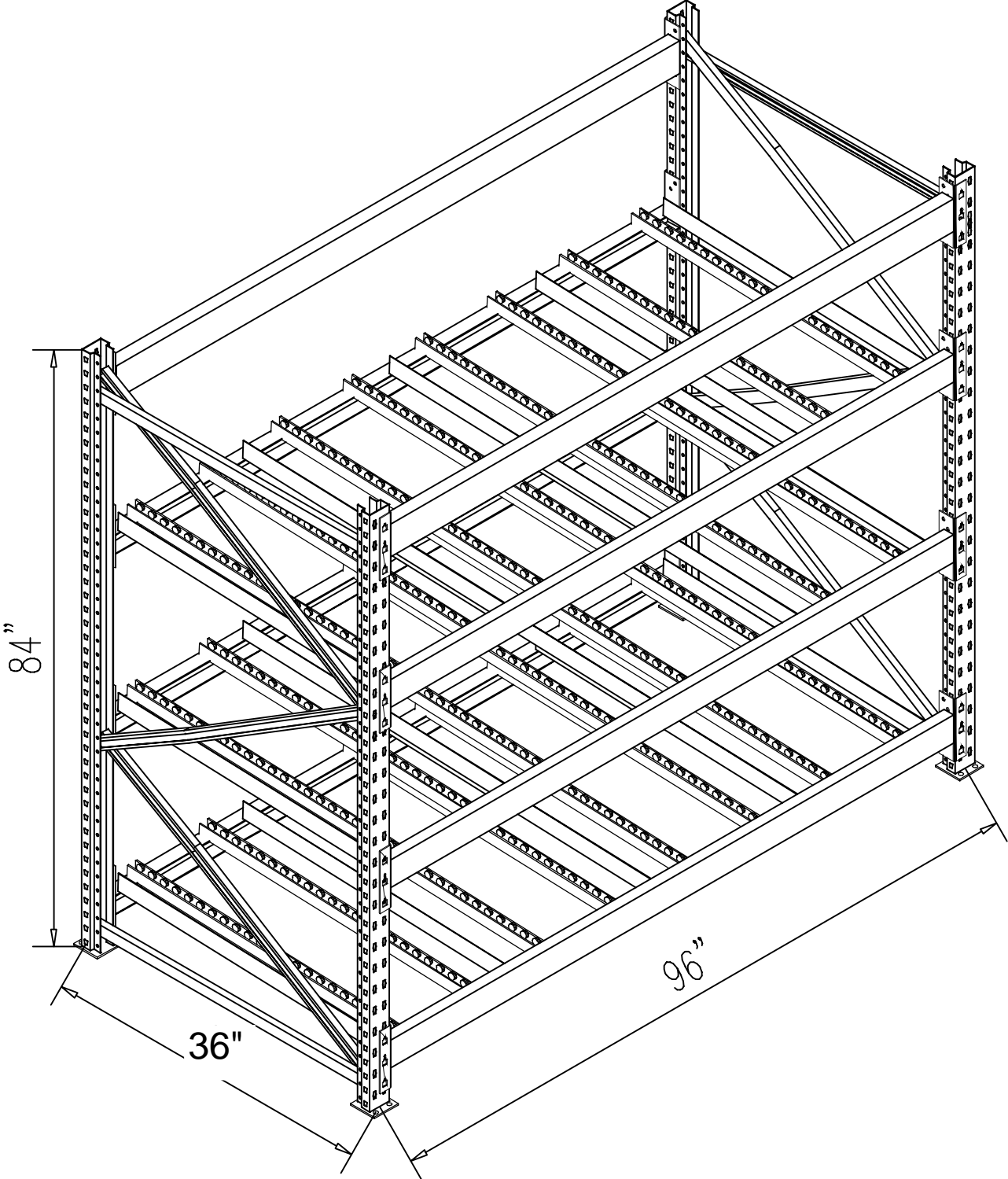
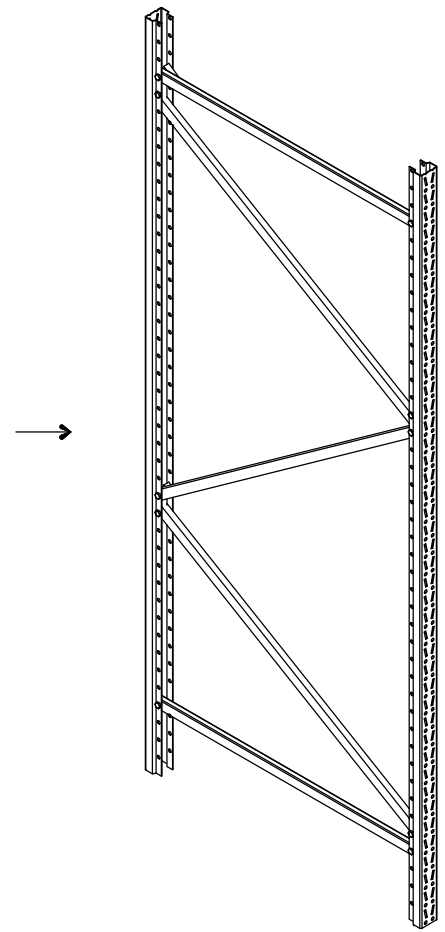
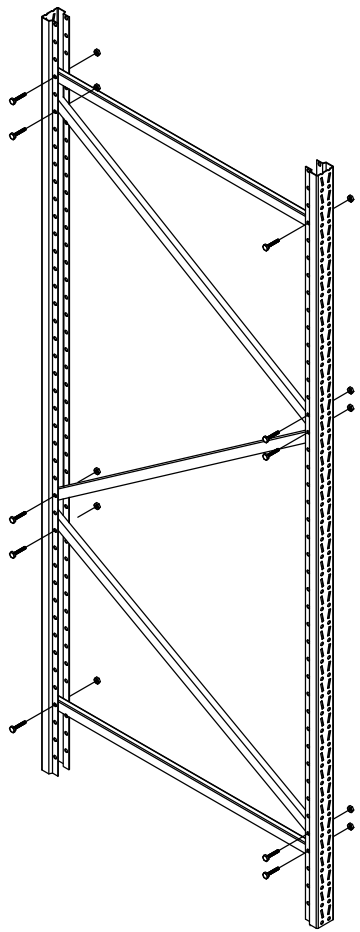
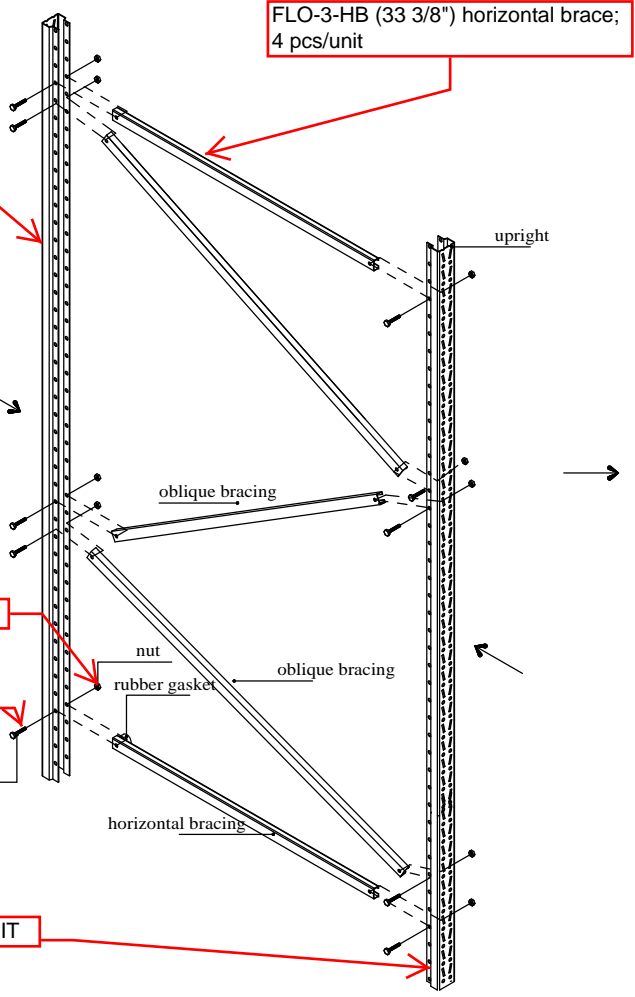
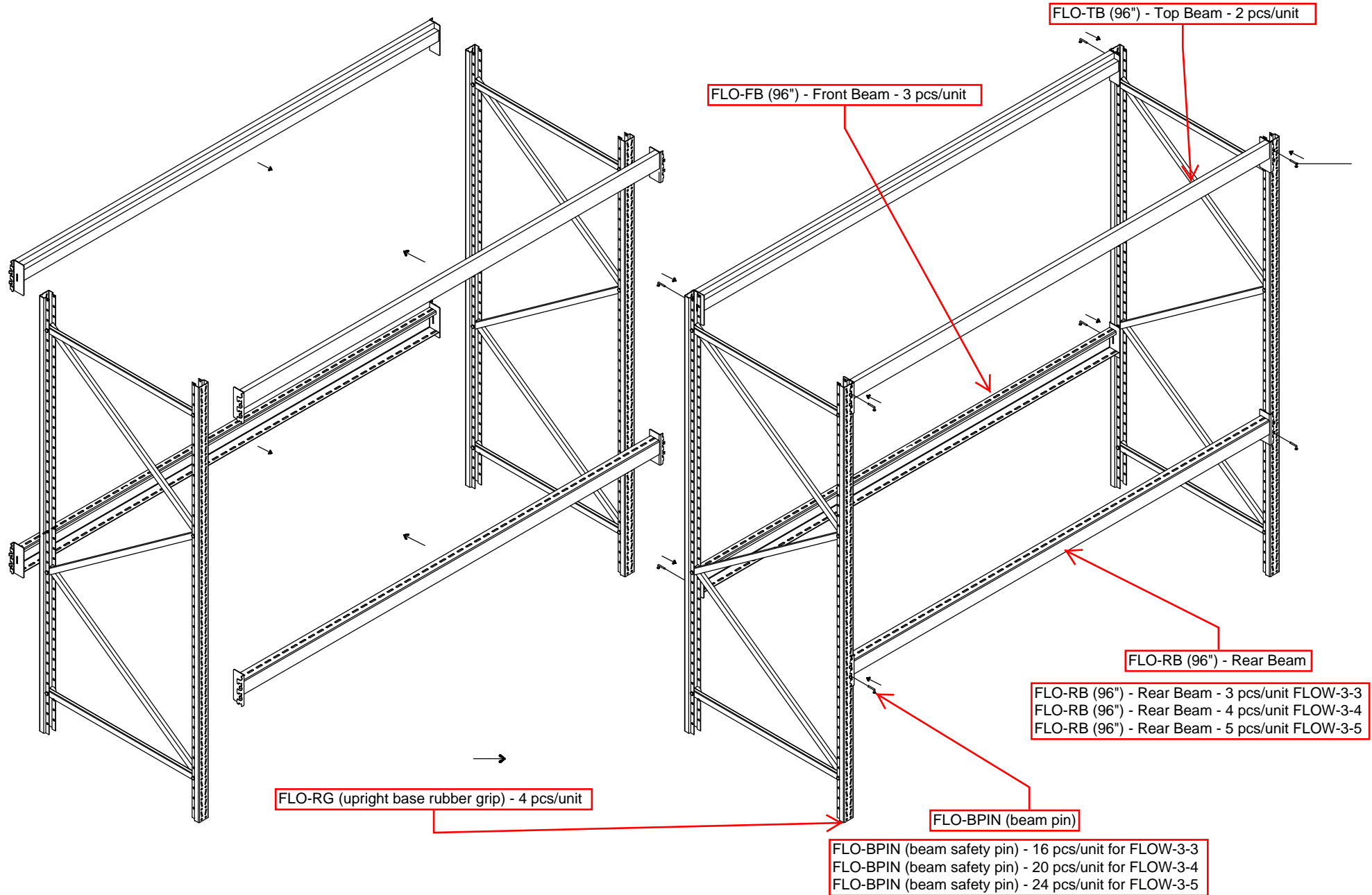


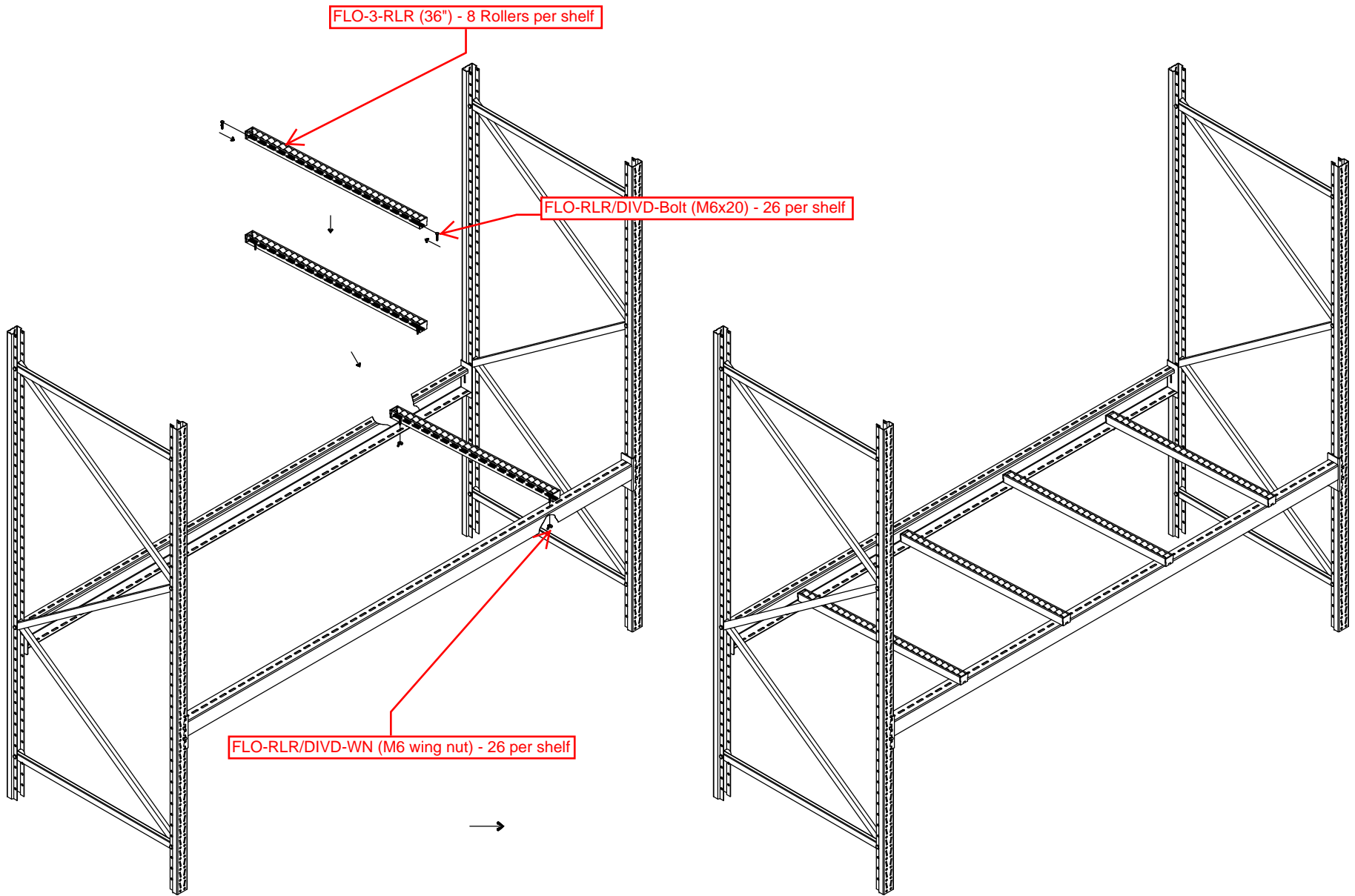
# FLOW 3-3











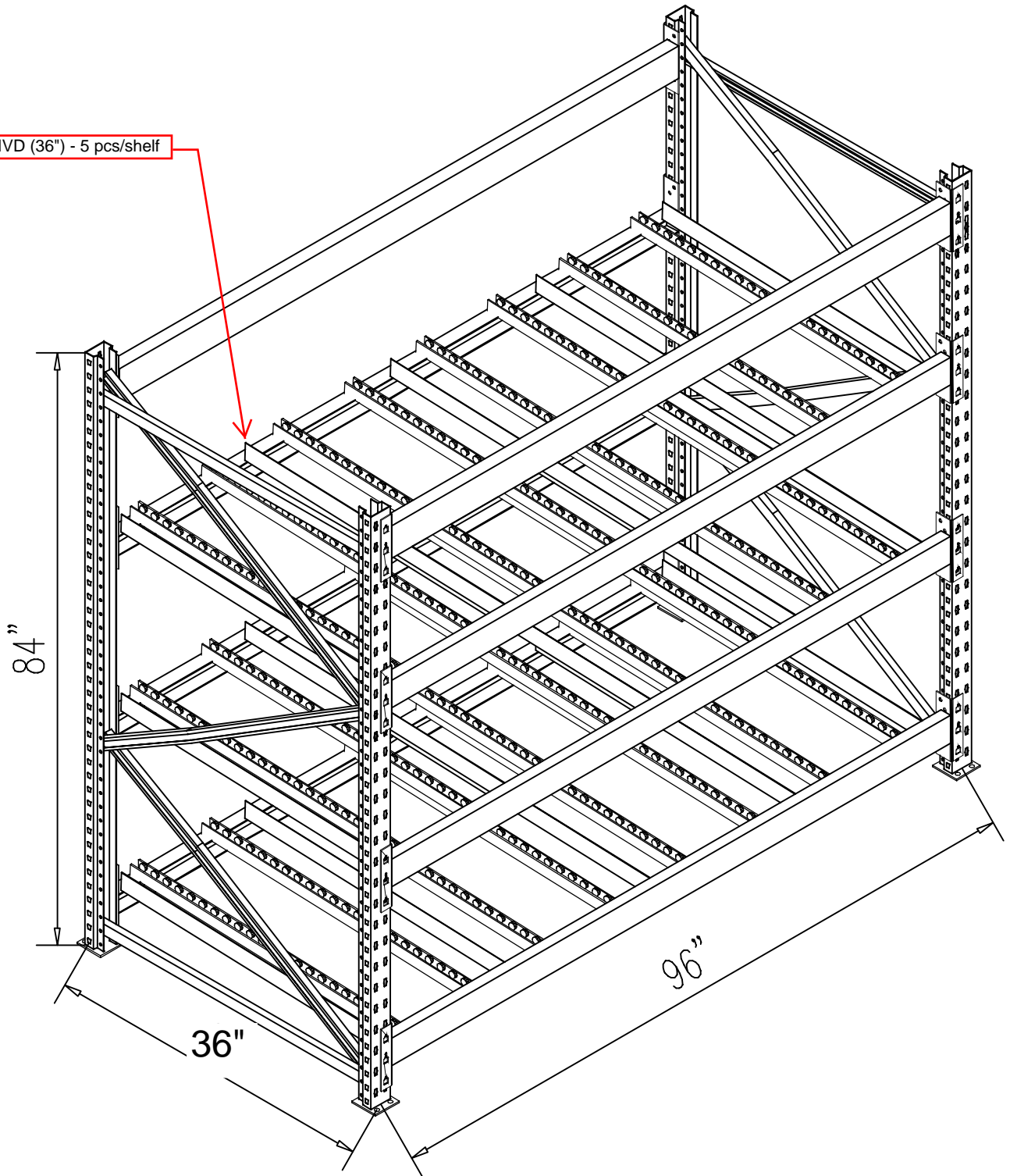
FLO-3-RLR (36") - 8 Rollers per shelf

FLO-RLR/DIVD-Bolt (M6x20) - 26 per shelf

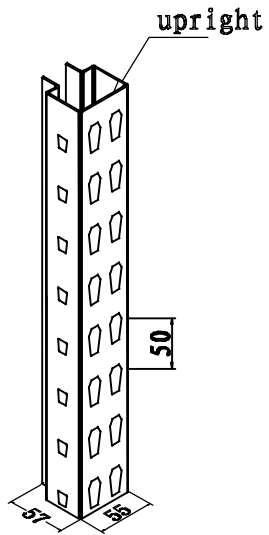
FLO-RLR/DIVD-WN (M6 wing nut) - 26 per shelf

- FLO-RLR/DIVD-Bolt (M6x20) - 78 pcs/unit for FLOW-3-3
- FLO-RLR/DIVD-Bolt (M6x20) - 104 pcs/unit for FLOW-3-4
- FLO-RLR/DIVD-Bolt (M6x20) - 130 pcs/unit for FLOW-3-5
- FLO-RLR/DIVD-WN (M6 wing nut) - 78 per unit for FLOW-3-3
- FLO-RLR/DIVD-WN (M6 wing nut) - 104 per unit for FLOW-3-4
- FLO-RLR/DIVD-WN (M6 wing nut) - 130 per unit for FLOW-3-5

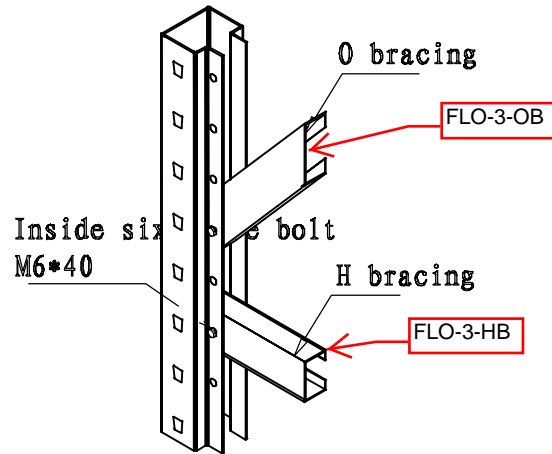
FLO-3-DIVD (36") - 5 pcs/shelf



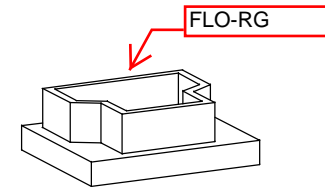
# SECTION DRAWING



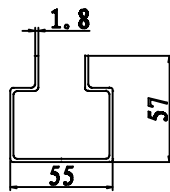
Upright



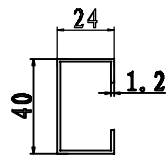
Upright & Bracings



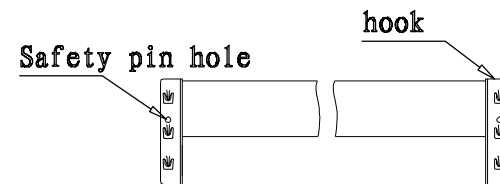
Plastic feet



Upright section



Bracing section



Beam & Hook

### **FLOW-3-3 PARTS LIST**

| <b>PART #</b>  | <b>DESCRIPTION</b>  | <b>QTY.</b> |
|----------------|---|-------------|
| FLO-3-HB       | 33 <sup>3</sup> / <sub>8</sub> " Long Horizontal Brace      | 4/UNIT      |
| FLO-3-OB       | 38 <sup>7</sup> / <sub>8</sub> " Long Oblique Brace         | 4/UNIT      |
| FLO-HB/OB-BOLT | BOLT, M6-1.0X40   | 20/UNIT     |
| FLO-HB/OB-NUT  | NUT, M6-1.0   | 20/UNIT     |
| FLO-UR         | 84", UPRIGHT  | 4/UNIT      |
| FLO-FB         | 96", FRONT BEAM   | 3/UNIT      |
| FLO-RB         | 96", REAR BEAM  | 3/UNIT      |
| FLO-TB         | 96", TOP BEAM   | 2/UNIT      |
| FLO-RG         | UPRIGHT BASE RUBBER GRIP                                    | 4/UNIT      |
| FLO-BPIN       | BEAM SAFETY PIN (4 PER SHELF)                               | 16/UNIT     |
| FLO-3-RLR      | Replacement Roller 36" with hardware                        | 8/SHELF     |
| FLO-3-DIVD     | Replacement Divider 36" with hardware                       | 5/SHELF     |
| FLO-3-RLR-HDW  | Hardware To Attach Roller (M6-1.0 x 20 bolts & wing nuts )  | 2/ROLLER    |
| FLO-DIVD-HDW   | Hardware To Attach Divider (M6-1.0 x 20 bolts & wing nuts ) | 2/DIVIDER   |