

®
Dayton



Wet/Dry Vacuum

COMMERCIAL / INDUSTRIAL USE

Model 61HV93

®
Dayton

**PLEASE READ AND SAVE
THESE INSTRUCTIONS.
READ CAREFULLY
BEFORE ATTEMPTING
TO ASSEMBLE, INSTALL,
OPERATE OR MAINTAIN THE
PRODUCT DESCRIBED.**

**PROTECT YOURSELF AND
OTHERS BY OBSERVING ALL
SAFETY INFORMATION. FAILURE
TO COMPLY WITH INSTRUCTIONS
COULD RESULT IN PERSONAL
INJURY AND/OR PROPERTY
DAMAGE! RETAIN INSTRUCTIONS
FOR FUTURE REFERENCE.**

**PLEASE REFER TO BACK COVER
FOR INFORMATION REGARDING
DAYTON'S WARRANTY
AND OTHER IMPORTANT
INFORMATION.**

Model #: _____

Serial #: _____

Purch. Date: _____

*Form 5S61HV93 / Printed in China
03865 Version 1 11/2021*

**© 2021 Dayton Electric Manufacturing Co.
All Rights Reserved**

BEFORE YOU BEGIN



- Tools Needed:**
- Phillips screwdriver
 - Safety glasses

UNPACKING



Unpack:

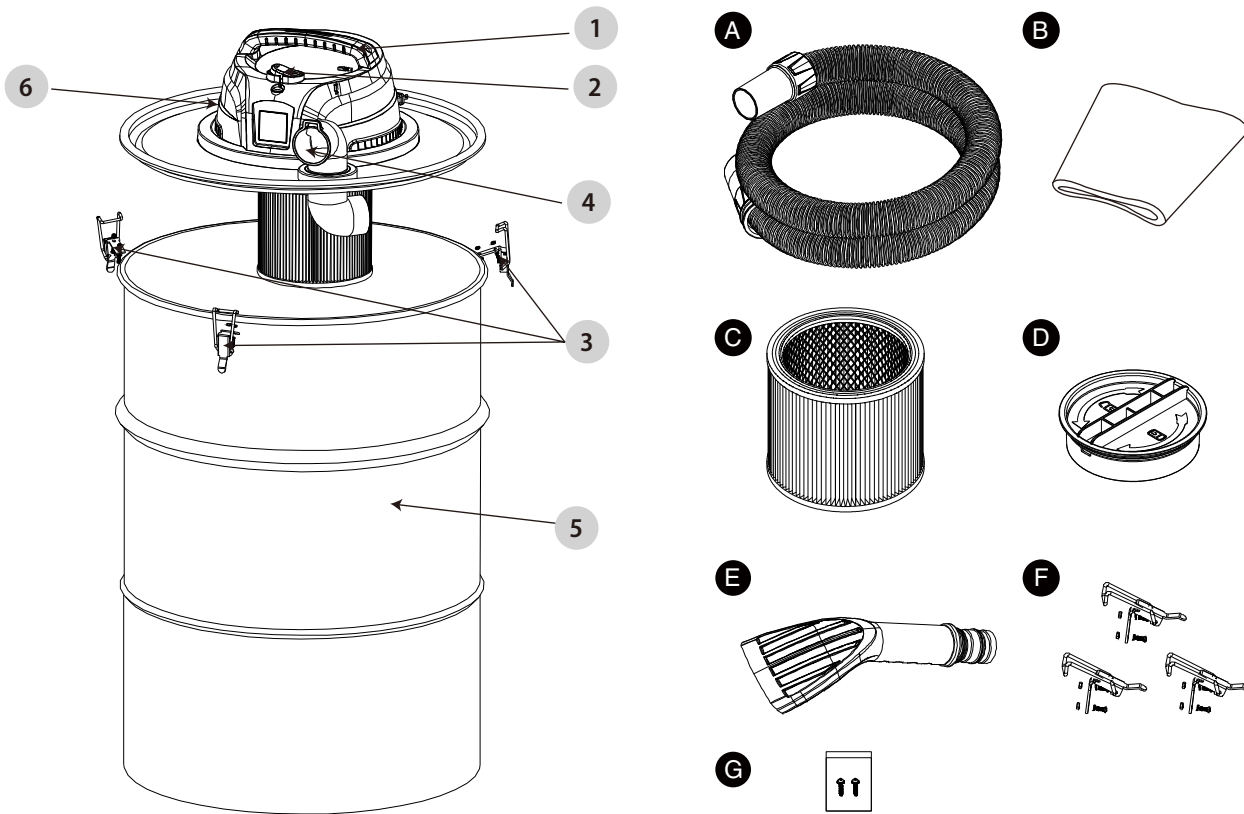
- Pull lid latches in an outward motion, remove tank cover and any accessories that may have been shipped in the tank.

Inspect:

- After unpacking the unit, carefully inspect for any damage that may have occurred during transit. Check for loose, missing or damaged parts. Shipping damage claims must be filed with the carrier.

See Important Safety Instructions on Page 2 and 3, and Cautions and Warnings as shown.

PACKAGE CONTENTS



Part	Description	Part No.	Qty
A	12' x 1 1/8" Hose	19-1104	1
B	Foam Filter	61HW04	1
C	Cartridge Filter	61HV98	1
D	Retainer Cap	783GC1	1
E	Claw Nozzle	61HW17	1
F	Lid Latch	19-0301	3
G	Screw	J0817230001	2

Cleaner Description	
Item	Description
1	Handle
2	Power Switch
3	Lid Latch
4	Vacuum Port
5	Dust Tank (not included)
6	Blower Port

IMPORTANT SAFETY INSTRUCTIONS



ALWAYS WEAR EYE PROTECTION

⚠ DANGER



Never operate this unit when flammable materials or vapors are present because electrical devices produce arcs or sparks that can cause a fire or explosion. NEVER OPERATE UNATTENDED!

When using an electrical appliance, basic precautions should always be followed, including the following: **READ ALL INSTRUCTIONS BEFORE USING THIS APPLIANCE.**

⚠ WARNING TO REDUCE THE RISK OF FIRE, ELECTRIC SHOCK, OR INJURY:



1. Do not leave vacuum when plugged in or when in operation. Unplug from outlet when not in use and before performing any service on it.
2. Do not expose to rain. Store indoors.
3. Always disconnect the plug from the wall outlet before removing the tank cover.
4. Do not allow to be used as a toy. Close attention is necessary when used by or near children.
5. Do not use with damaged cord or plug. If vacuum is not working as it should, has been dropped, damaged, left outdoors or dropped into water, contact service center for assistance.
6. Do not pull or carry by cord, use cord as a handle, close a door on cord or pull cord around sharp edges or corners. Do not run vacuum over cord. Keep cord away from heated surfaces.
7. Do not unplug by pulling on cord. To unplug, grasp the plug, not the cord.
8. Do not handle plug or appliance with wet hands.
9. Do not put any object into openings. Do not use with any openings blocked; keep the openings free of dust, lint, hair and anything that may reduce airflow.
10. Keep hair, loose clothing, fingers and all parts of body away from openings and moving parts.
11. Do not pick up anything that is burning or smoking, such as cigarettes, matches or hot ashes.
12. Do not use without dust bag and/or filters in place.
13. Turn off all controls before unplugging.
14. Use extra care when cleaning on stairs.
15. Do not use to pick up flammable or combustible liquids such as gasoline or use in areas where they may be present.
16. Do not use the cleaner as a sprayer of flammable liquids such as oil-based paint, lacquers, etc.
17. Do not vacuum toxic, carcinogenic, combustible or other hazardous materials such as asbestos, arsenic, barium, beryllium, lead, pesticides or other health endangering materials.
18. Do not pick up soot, cement, plaster or drywall dust without filter and dust bag in place. These are very fine particles that may affect the performance of the motor or be exhausted back into the air.
19. Do not leave the cord lying on the floor once have finished the cleaning job. It can become a tripping hazard.
20. Use special care when emptying heavily loaded tanks.
21. To avoid spontaneous combustion, empty tank after each use.
22. The operation of a utility vacuum can result in foreign objects being blown into eyes, which can result in eye damage. Always wear safety goggles when operating vacuum.
23. **STAY ALERT.** Watch what you are doing and use common sense. Do not use vacuum cleaner when you are tired, distracted or under the influence of drugs, alcohol or medication causing diminished control.
24. This vacuum is provided with double insulation. Use only identical replacement parts. See instructions for servicing double insulated appliances.
25. Unplug vacuum before connecting the hose, nozzles, filters, or other accessories.

⚠ CAUTION USE ONLY AS DESCRIBED IN THIS MANUAL. USE ONLY MANUFACTURER'S RECOMMENDED ATTACHMENTS.

SAVE THESE INSTRUCTIONS

⚠ WARNING DO NOT LEAVE VACUUM UNATTENDED WHEN IT IS PLUGGED IN AND/OR OPERATING. UNPLUG UNIT WHEN NOT IN USE.

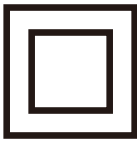
DOUBLE-INSULATED

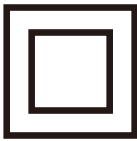
⚠ WARNING



IF THE SUPPLY CORD IS DAMAGED, IT MUST BE REPLACED BY THE MANUFACTURER OR ITS SERVICE AGENT OR A SIMILARLY QUALIFIED PERSON IN ORDER TO AVOID A HAZARD. REMOVE THE PLUG FROM THE SOCKET BEFORE PERFORMING MAINTENANCE. BEFORE USING THE MACHINE MAKE SURE THAT THE FREQUENCY AND VOLTAGE SHOWN ON THE RATING PLATE CORRESPOND WITH THE MAINS VOLTAGE. SPECIFICATIONS AND DETAILS ARE SUBJECT TO CHANGE WITHOUT PRIOR NOTICE.

DOUBLE-INSULATED (CONTINUED)



In a double-insulated Wet/Dry Vacuum, two systems of insulation are provided instead of grounding. This means that no grounding is provided on a double-insulated appliance, nor should a means for grounding be added. Servicing a double-insulated Wet/Dry Vacuum requires extreme care and knowledge of the system and should be done only by qualified service personnel. Replacement parts for a double-insulated Wet/Dry Vacuum must be identical to the parts they replace. The double-insulated Wet/Dry Vacuum is marked with the words "DOUBLE INSULATED" and the symbol  (square within a square) may also be marked on the appliance.

⚠ WARNING *TO REDUCE THE RISK OF INJURY FROM ELECTRICAL SHOCK, UNPLUG POWER CORD BEFORE SERVICING THE ELECTRICAL PARTS OF THE WET/DRY VAC.*


EXTENSION CORDS

Use only extension cords that are rated for outdoor use. Extension cords in poor condition or that are too small in wire size can pose fire and shock hazards. To reduce the risk of these hazards when using an extension cord, be sure it is in good condition and that the connection does not come into contact with liquid. To keep power loss to a minimum, use the following table to choose the minimum wire size extension cord.

Volts	Total length of cord in feet			
	25	50	100	150
120V				
Ampere Rating More Than	AWG			
0 - 6	18	16	16	14
6 - 10	18	16	14	12
10 - 12	18	16	14	12

⚠ WARNING *THIS PRODUCT CAN EXPOSE YOU TO CHEMICALS INCLUDING LEAD, WHICH IS KNOWN TO THE STATE OF CALIFORNIA TO CAUSE CANCER, BIRTH DEFECTS OR OTHER REPRODUCTIVE HARM. FOR MORE INFORMATION GO TO www.P65Warnings.ca.gov.*

SPECIFICATIONS

61HV93	
Tank Style	55 gal vacuum head assembly
*Tank Capacity	55 gal drum (not included) 208 liters drum (not included)
‡Electrical Rating	120V, 60 Hz AC 10 Amps
†Peak HP	3.0
‡Static Pressure	84" (213 cm)
‡Air Movement	88 cfm (2.5 m ³ /min)
Air Watts	288
Power Cord Length	18 ft (5.4 m)
Accessory Make Up	1 7/8 in. dia (4.8 cm)
Filtration	Standard
Certification	 CONFORMS TO US UL STD. 1017 CERTIFIED TO CSA STD. C22.2 NO.243

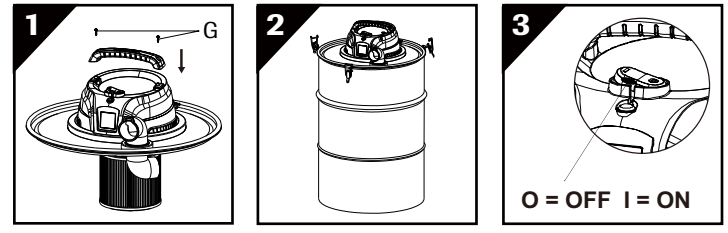
† “Peak Horsepower” (PHP) is a term used in the wet-dry vacuum industry for consumer comparison purposes. It does not denote the operational horsepower of a wet-dry vacuum but rather the horsepower output of a motor, including the motor’s inertial contribution, achieved in laboratory testing. In actual use, wet dry vacuum motors do not operate at the peak horsepower shown.

* Tank capacity refers to actual tank volume, and does not reflect capacity available during operation.

‡ Tested to ASTM standard with an 12' long x 1 7/8" diameter hose.

ASSEMBLY INSTRUCTIONS

1. Install handle as shown below with screws (G) provided (**Figure 1**).
2. Prepare a 55 gal drum (not included) for vacuum assembly installation.
3. Install power head and apply pressure with thumb to each latch until it snaps tightly into place. Make sure all lid latches are clamped securely (**Figure 2**).
4. Insert the hose end into vacuum inlet port.
5. Plug the cord into the wall outlet. The cleaner is ready for use.
6. Turn the unit "ON" by pushing the switch from position "O" to position "I". The "O" is the "OFF" position and the "I" is the "ON" position (**Figure 3**).



OPERATION INSTRUCTIONS



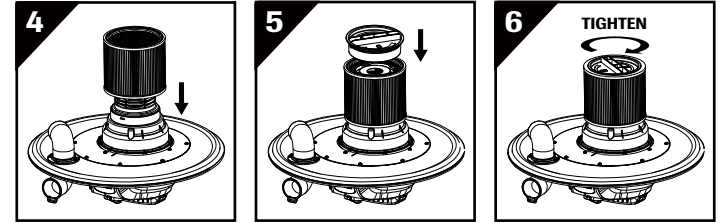
⚠ DANGER *TO REDUCE THE RISK OF FIRE OR EXPLOSION, DO NOT OPERATE THIS VACUUM IN AREAS WITH FLAMMABLE GASES, VAPORS OR EXPLOSIVE DUST IN THE AIR. FLAMMABLE GASES OR VAPORS INCLUDE BUT ARE NOT LIMITED TO: LIGHTER FLUID, SOLVENT-TYPE CLEANERS, OIL-BASED PAINTS, GASOLINE, ALCOHOL OR AEROSOL SPRAYS. EXPLOSIVE DUSTS INCLUDE BUT ARE NOT LIMITED TO: COAL, MAGNESIUM, ALUMINUM, AND GRAIN OR GUN POWDER. DO NOT VACUUM EXPLOSIVE DUST, FLAMMABLE OR COMBUSTIBLE LIQUIDS OR HOT ASHES. DO NOT USE THIS VACUUM AS A SPRAYER FOR ANY FLAMMABLE OR COMBUSTIBLE LIQUID. TO REDUCE THE RISK OF HEALTH HAZARDS FROM VAPORS OR DUSTS, DO NOT VACUUM TOXIC MATERIALS.*

⚠ WARNING *THE OPERATION OF ANY UTILITY VACUUM CAN RESULT IN FOREIGN OBJECTS BEING BLOWN INTO THE EYES, WHICH CAN RESULT IN SEVERE EYE DAMAGE. ALWAYS WEAR SAFETY EYEWEAR COMPLYING WITH ANSI Z87.1 (OR IN CANADA, CSA Z94.3) BEFORE STARTING OPERATION.*

⚠ CAUTION *TO REDUCE RISK OF HEARING DAMAGE, WEAR EAR PROTECTORS WHEN USING THE VACUUM FOR EXTENDED HOURS OR WHEN USING IT IN A NOISY AREA.*

DRY PICK-UP

1. The filter must always be in correct position to reduce the risk of leaks and possible damage to the vacuum. Make sure that the filter is completely covering the filter cage. Make sure there are no gaps between the filter and the cap (**Figure 4-6**). It is very important to assemble the filter to the cage without any possible leaks or tears. Any leaks will allow the picked up debris to be blown out of the blower port and back into the surrounding environment.
2. When using the vacuum to pick up fine dust, it will be necessary to empty the dust tank and clean or replace the filter at more frequent intervals to maintain peak vacuum performance.



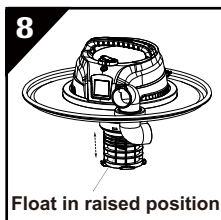
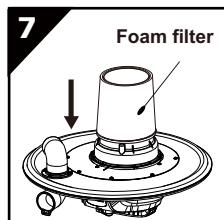
⚠ CAUTION *TO REDUCE THE RISK OF DAMAGE TO THE VACUUM, DO NOT RUN MOTOR WITH FLOAT IN RAISED POSITION. A DRY FILTER IS NECESSARY TO PICK UP DRY MATERIAL. IF YOU USE THE VACUUM TO PICK UP DUST WHEN THE FILTER IS WET, THE FILTER WILL CLOG QUICKLY AND BE VERY DIFFICULT TO CLEAN. IF THE FILTER GETS WET, REPLACE IT BEFORE CONTINUING TO DO DRY PICKUPS.*

OPERATION INSTRUCTIONS (CONTINUED)

WET PICK-UP

This cleaner requires minimal conversion when going from dry to wet pick-up. A clean cartridge filter may be used for vacuuming small amounts of liquid. For best results when vacuuming large amounts of liquid, remove the cartridge filter and any disposable or reusable dust filters. Install the foam filter (**Figure 7**). Installing the foam filter will help to protect the motor and minimize the potential for misting that may appear in the exhaust air or dripping of liquid around the lid.

1. This wet/dry vac is equipped with a float mechanism which will rise automatically as liquid enters the tank. When the liquid in the tank reaches a predetermined level, the float mechanism will cut off the airflow (**Figure 8**). You will know when the float mechanism has cut off the air flow because the suction ceases and the motor makes a higher pitched noise due to increased motor speed. The liquid capacity of the tank may vary with the rate of liquid pick-up.
2. When this happens, turn off the vac. Refer to "EMPTYING THE TANK" for removing liquid from the tank.
3. After completing a wet pick-up job, raise the vacuum hose to drain any remaining excess liquid into the tank before emptying the tank one final time.



CAUTION *WET PICK-UP ACCESSORIES SHOULD BE WASHED PERIODICALLY, ESPECIALLY AFTER PICKING UP WET, STICKY KITCHEN ACCIDENTS. THIS CAN BE ACCOMPLISHED WITH A WARM SOLUTION OF SOAP AND WATER.*

EMPTYING THE TANK

Use special care when emptying heavily loaded drums. If your 55 gallon drum comes equipped with a tank drain, use it to empty the tank. If it does not, the 55 gallon drum can be emptied of liquid waste by removing the drum cover. To empty the drum, first turn the power switch on the unit to off and remove the plug from the electrical outlet. Undo the three latches securing the cover to the drum. Remove the drum cover and power head unit and set them to the side. You can now safely empty the tank.

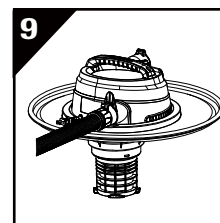
BLOWING OPERATION

WARNING *ALWAYS WEAR SAFETY EYEWEAR COMPLYING WITH ANSI Z87.1 (OR IN CANADA CSA Z94.3) WHEN USING AS A BLOWER. TO AVOID INJURY TO BYSTANDERS, KEEP THEM CLEAR OF BLOWING DEBRIS.*

CAUTION *WEAR A DUST MASK IF BLOWING CREATES DUST WHICH MIGHT BE INHALED. TO REDUCE THE RISK OF HEARING DAMAGE, WEAR EAR PROTECTORS WHEN USING THE VAC/BLOWER FOR EXTENDED HOURS OR IN CONFINED SPACE.*

The vacuum contains a blowing feature. Follow the steps below to use the vacuum as a blower (**Figure 9**).

1. Locate blower port on the vacuum.
2. Insert one end of the 12 ft x 1 $\frac{1}{8}$ in / 3.6 m x 4.8 cm hose into the blower port.
3. Turn the vacuum "ON".



TRUBLESHOOTING GUIDE

Symptom	Possible Cause(s)	Corrective Action
Vacuum will not run	<ol style="list-style-type: none"> 1. No power at electrical outlet 2. Bad connection at electrical outlet 3. Defective power switch 4. Defective motor 5. Defective power cord 	<ol style="list-style-type: none"> 1. Check for power at electrical outlet 2. Check power cord connection at electrical outlet 3. Replace power switch 4. Replace motor 5. Replace vacuum
Loss of suction, wet pick-up	<ol style="list-style-type: none"> 1. Full tank 2. Clogged hose 3. Clogged filter 	<ol style="list-style-type: none"> 1. Drain and clean tank 2. Remove hose and clean debris 3. Clean or replace filter
Loss of suction, dry pick-up	<ol style="list-style-type: none"> 1. Full tank 2. Clogged hose 3. Clogged filter 	<ol style="list-style-type: none"> 1. Drain and clean tank 2. Remove hose and clean debris 3. Clean or replace filter

MAINTENANCE / REPAIR

FILTER REPLACEMENT

⚠ WARNING *TO REDUCE THE RISK OF INJURY FROM ACCIDENTAL STARTING, UNPLUG POWER CORD BEFORE CHANGING OR CLEANING FILTER. THE FILTER SHOULD BE CLEANED FREQUENTLY TO MAINTAIN PEAK VACUUM PERFORMANCE. DO NOT REMOVE FILTER CAGE AND FLOAT. THE FLOAT PREVENTS WATER FROM ENTERING THE IMPELLER AND DAMAGING THE MOTOR. THE CAGE PREVENTS FINGERS FROM TOUCHING THE MOVING IMPELLER.*

⚠ CAUTION *TO AVOID DAMAGE TO THE IMPELLER AND MOTOR, ALWAYS REINSTALL THE REUSABLE FILTER BEFORE USING THE VACUUM FOR DRY PICKUPS AND ALWAYS REINSTALL THE FOAM FILTER BEFORE USING THE VACUUM FOR WET PICKUPS. AFTER CLEANING, CHECK THE FILTER FOR TEARS OR SMALL HOLES. DO NOT USE A FILTER WITH HOLES OR TEARS IN IT. EVEN A SMALL HOLE CAN CAUSE DUST TO COME OUT OF THE VACUUM. REPLACE IT IMMEDIATELY. IF THE FILTER IS CLEAN AND NOT DAMAGED, REPLACE IT ON THE FILTER CAGE. IF IT CANNOT BE REUSED, PLACE A NEW FILTER OVER THE FILTER CAGE. CLEAN THE FILTER IN AN OPEN AREA.*

CLEANING

To keep the wet/dry vacuum looking its best, use a cloth dampened only with water and mild soap to clean its surface.

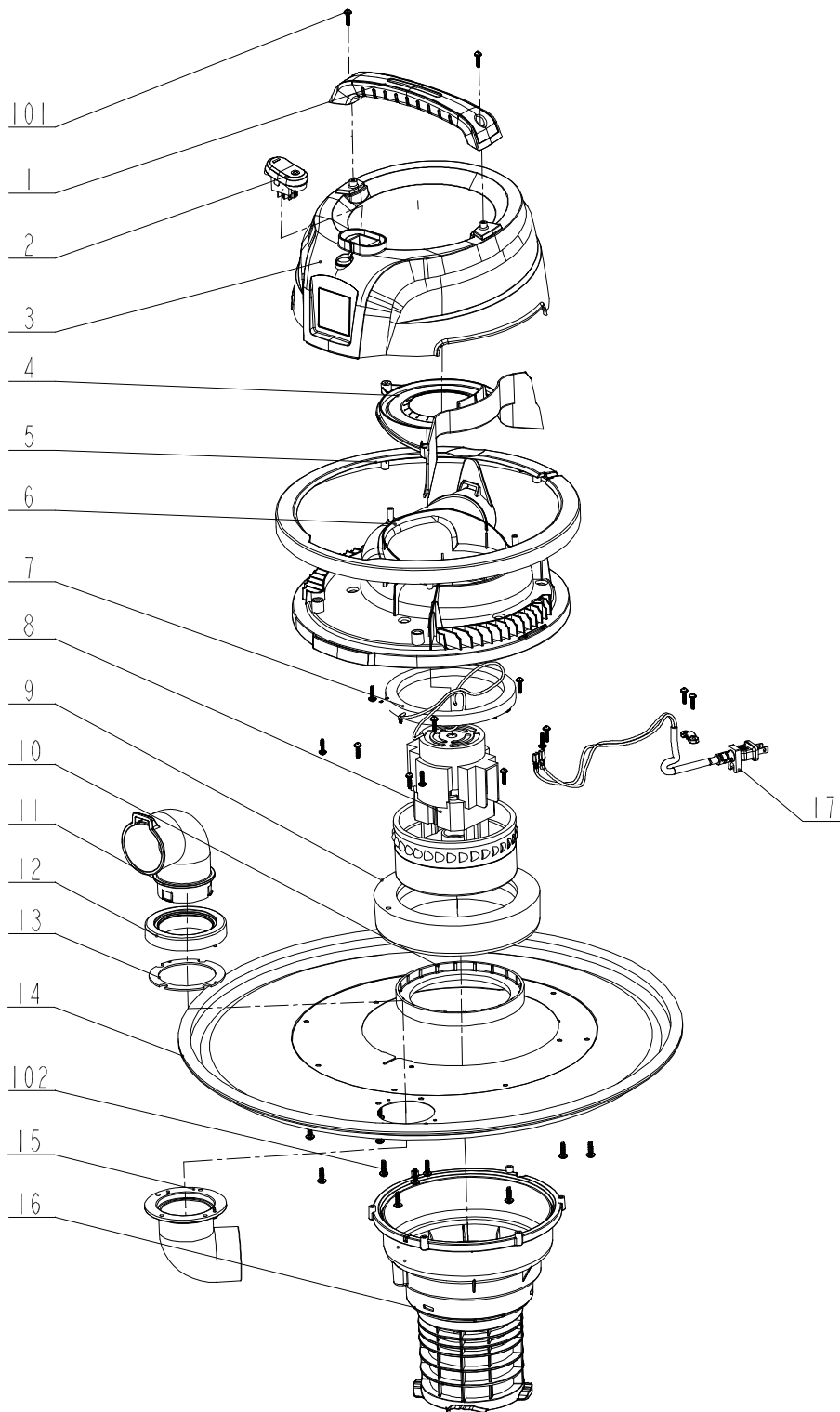
To clean the tank:

1. Dump out debris.
2. Wash tank thoroughly with a cloth dampened only with water and mild soap.
3. Wipe out with dry cloth.

STORAGE

Before storing the vacuum, the dust tank should be emptied and cleaned. The cord should be wrapped and hung on the unit. The vacuum should be stored indoors.

REPAIR PARTS ILLUSTRATION FOR 61HV93



For Repair Parts, call 1-800 Grainger

24 hours a day – 365 days a year

Please provide following information:

- Model number
- Serial number (if any)
- Part description and number as shown in parts list

REPAIR PARTS LIST FOR 61HV93

Reference Number	Description	61HV93	Qty
1	Handle	F6400200401	1
2	Power Switch	D3002000155	1
3	Top Cover	Q0281012001	1
4	Thermal Baffle	Q0281232001	1
5	Lower Lid Pressure Plate	Q799AA12001	1
6	Lower Lid	F5013701224	1
7	Air Hood Seal Ring	X0400820117	1
8	Motor	22550049	1
9	Silencer Sponge	G0406190082	1
10	Motor Sealing Ring	X0400820116	1
11	Suction Seat	Q799AA22001	1
12	Suction Seat Pressure Plate	Q799AA32001	1
13	Gasket	X7997080351	1
14	Metal Lower Cover	JAA45430775	1
15	Suction Socket Elbow	Q7997852001	1
16	Filter Cage Assy	61HV93-1	1
17	Power Cord	D1013037284	1
101	Self-tapping Screws St3.9 X16f	J0817230001	18
102	Self-tapping Screws St4.8 X16f	J0787070033	14

Do not attempt to service your Dayton vacuum beyond that described in the Operating Instructions and Parts Manual.

DAYTON ONE-YEAR LIMITED WARRANTY

DAYTON ONE-YEAR LIMITED WARRANTY. All Dayton® product models covered in this manual are warranted by Dayton Electric Mfg. Co. ("Dayton") to the original user against defects in workmanship or materials under normal use for one year after date of purchase. If the Dayton product is part of a set, only the portion that is defective is subject to this warranty. Any product or part which is determined to be defective in material or workmanship and returned to an authorized service location, as Dayton or Dayton's designee designates, shipping costs prepaid, will be, as the exclusive remedy, repaired or replaced with a new or reconditioned product or part of equal utility or a full refund given, at Dayton's or Dayton's designee's option, at no charge. For limited warranty claim procedures, see "Warranty Service" below. This warranty is void if there is evidence of misuse, mis-repair, mis-installation, abuse or alteration. This warranty does not cover normal wear and tear of Dayton products or portions of them, or products or portions of them which are consumable in normal use. This limited warranty gives purchasers specific legal rights, and you may also have other rights which vary from jurisdiction to jurisdiction.

WARRANTY DISCLAIMERS AND LIMITATIONS OF LIABILITY RELATING TO ALL CUSTOMERS FOR ALL PRODUCTS

LIMITATION OF LIABILITY. TO THE EXTENT ALLOWABLE UNDER APPLICABLE LAW, DAYTON'S LIABILITY FOR CONSEQUENTIAL AND INCIDENTAL DAMAGES IS EXPRESSLY DISCLAIMED. DAYTON'S LIABILITY IN ALL EVENTS IS LIMITED TO AND SHALL NOT EXCEED THE PURCHASE PRICE PAID.

WARRANTY DISCLAIMER. A DILIGENT EFFORT HAS BEEN MADE TO PROVIDE PRODUCT INFORMATION AND ILLUSTRATE THE PRODUCTS IN THIS LITERATURE ACCURATELY; HOWEVER, SUCH INFORMATION AND ILLUSTRATIONS ARE FOR THE SOLE PURPOSE OF IDENTIFICATION, AND DO NOT EXPRESS OR IMPLY A WARRANTY THAT THE PRODUCTS ARE MERCHANTABILITY, OR FIT FOR A PARTICULAR PURPOSE, OR THAT THE PRODUCTS WILL NECESSARILY CONFORM TO THE ILLUSTRATIONS OR DESCRIPTIONS. EXCEPT AS PROVIDED BELOW, NO WARRANTY OR AFFIRMATION OF FACT, EXPRESSED OR IMPLIED, OTHER THAN AS STATED IN THE "LIMITED WARRANTY" ABOVE IS MADE OR AUTHORIZED BY DAYTON.

PRODUCT SUITABILITY. MANY JURISDICTIONS HAVE CODES AND REGULATIONS GOVERNING SALES, CONSTRUCTION, INSTALLATION, AND/OR USE OF PRODUCTS FOR CERTAIN PURPOSES, WHICH MAY VARY FROM THOSE IN NEIGHBORING AREAS. WHILE ATTEMPTS ARE MADE TO ASSURE THAT DAYTON PRODUCTS COMPLY WITH SUCH CODES, DAYTON CANNOT GUARANTEE COMPLIANCE, AND CANNOT BE RESPONSIBLE FOR HOW THE PRODUCT IS INSTALLED OR USED. BEFORE PURCHASE AND USE OF A PRODUCT, REVIEW THE SAFETY/SPECIFICATIONS, AND ALL APPLICABLE NATIONAL AND LOCAL CODES AND REGULATIONS, AND BE SURE THAT THE PRODUCT, INSTALLATION, AND USE WILL COMPLY WITH THEM.

CONSUMERS ONLY. CERTAIN ASPECTS OF DISCLAIMERS ARE NOT APPLICABLE TO CONSUMER PRODUCTS SOLD TO CONSUMERS; (A) SOME JURISDICTIONS DO NOT ALLOW THE EXCLUSION OR LIMITATION OF INCIDENTAL OR CONSEQUENTIAL DAMAGES, SO THE ABOVE LIMITATION OR EXCLUSION MAY NOT APPLY TO YOU; (B) ALSO, SOME JURISDICTIONS DO NOT ALLOW A LIMITATION ON HOW LONG AN IMPLIED WARRANTY LASTS, SO THE ABOVE LIMITATION MAY NOT APPLY TO YOU; AND (C) BY LAW, DURING THE PERIOD OF THIS LIMITED WARRANTY, ANY IMPLIED WARRANTIES OF MERCHANTABILITY OR FITNESS FOR A PARTICULAR PURPOSE APPLICABLE TO CONSUMER PRODUCTS PURCHASED BY CONSUMERS, MAY NOT BE EXCLUDED OR OTHERWISE DISCLAIMED.

THIS LIMITED WARRANTY ONLY APPLIES TO UNITED STATES PURCHASERS FOR DELIVERY IN THE UNITED STATES.

WARRANTY SERVICE

To obtain warranty service if you purchased the covered product directly from W.W. Grainger, Inc. ("Grainger"), (i) write or call or visit the local Grainger branch from which the product was purchased or another Grainger branch near you (see www.grainger.com for a listing of Grainger branches); or (ii) contact Grainger by going to www.grainger.com and clicking on the "Contact Us" link at the top of the page, then clicking on the "Email us" link; or (iii) call Customer Care (toll free) at 1-888-361-8649. To obtain warranty service if you purchased the covered product from another distributor or retailer, (i) go to www.grainger.com for Warranty Service; (ii) write or call or visit a Grainger branch near you; or (iii) call Customer Care (toll free) at 1-888-361-8649. In any case, you will need to provide, to the extent available, the purchase date, the original invoice number, the stock number, a description of the defect, and anything else specified in this Dayton One-Year Limited Warranty. You may be required to send the product in for inspection at your cost. You can follow up on the progress of inspections and corrections in the same ways. Title and risk of loss pass to buyer on delivery to common carrier, so if product was damaged in transit to you, file claim with carrier, not retailer, Grainger or Dayton. For warranty information for purchasers and/or delivery outside the United States, please use the following applicable contact information:

**Dayton Electric Mfg. Co.,
100 Grainger Parkway, Lake Forest, IL 60045 U.S.A.
or call +1-888-361-8649**

®
Dayton



Aspiradora para aspiración de residuos líquidos y sólidos

USO COMERCIAL / INDUSTRIAL

Modelo 61HV93

®
Dayton

**POR FAVOR, LEA Y GUARDE
ESTAS INSTRUCCIONES.
LÉALAS CON CUIDADO ANTES
DE INTENTAR ENSAMBLAR,
INSTALAR, OPERAR O MANTENER
EL PRODUCTO DESCRITO.**

**PROTÉJASE Y PROTEJA A
LOS DEMÁS RESPETANDO
TODA LA INFORMACIÓN DE
SEGURIDAD. ¡SI NO SE RESPETAN
ESTAS INSTRUCCIONES SE
PODRÍAN PRODUCIR LESIONES
PERSONALES Y/O DAÑOS
MATERIALES! CONSERVE
ESTE MANUAL PARA
FUTURAS CONSULTAS.**

**POR FAVOR, CONSULTE LA
CONTRATAPA PARA OBTENER
INFORMACIÓN SOBRE LA
GARANTÍA DE DAYTON Y OTRA
INFORMACIÓN IMPORTANTE.**

Número de modelo: _____

Número de serie: _____

Fecha de compra: _____

*Formulario 5S61HV93 / Impreso en China
03865 Versión 1 11/2021*

**© 2021 Dayton Electric Manufacturing Co.
Todos los derechos reservados**

ANTES DE COMENZAR



- Herramientas necesarias:**
- Destornillador phillips
 - Gafas de seguridad

DESEMBALAJE



Desembalar:

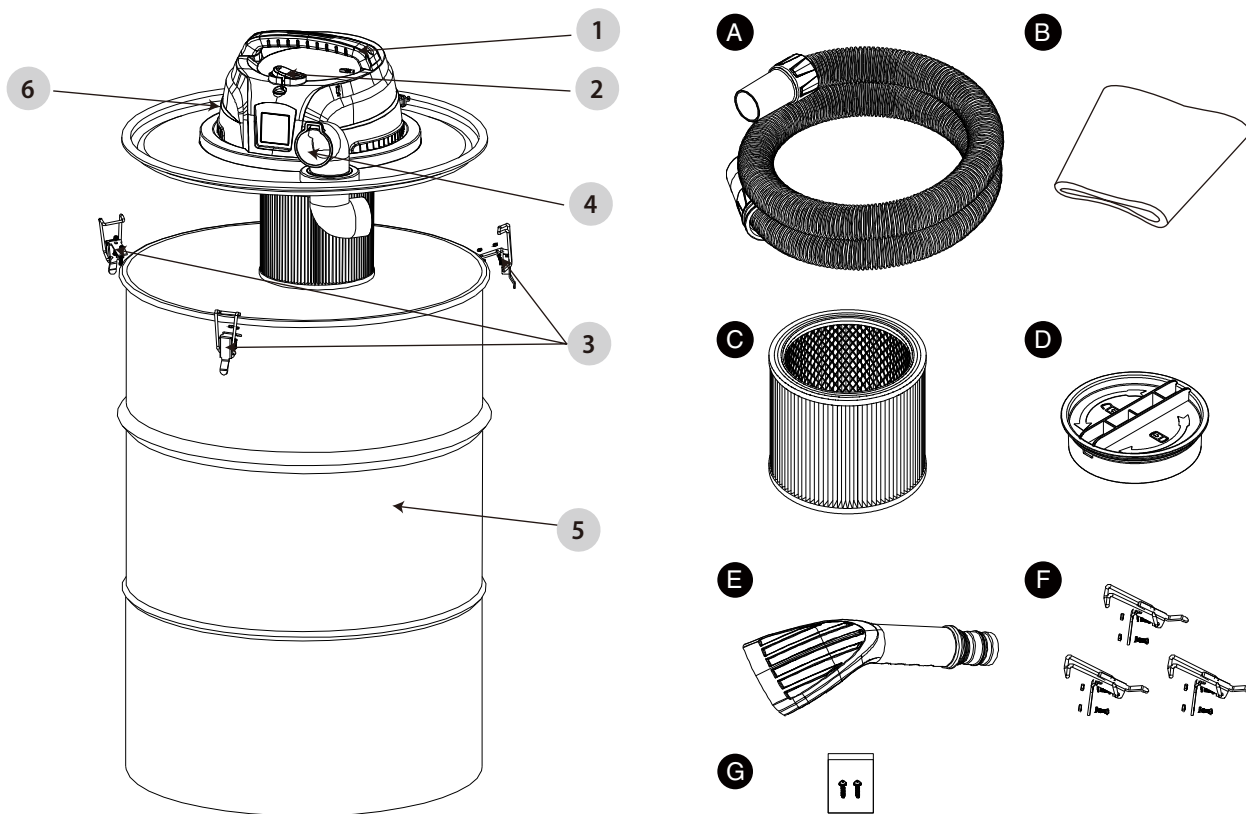
- Tire de los seguros de la cubierta hacia fuera y retire la cubierta del depósito y cualquier accesorio que esté empacado con el depósito.

Inspeccionar:

- Luego de desempacar la unidad, inspeccione cuidadosamente en busca de algún daño que pueda haber ocurrido durante el transporte. Examine en busca de piezas sueltas, faltantes o dañadas. Los reclamos por daños durante el envío deben ser presentados ante la empresa de transporte.

Vea las Instrucciones Generales sobre Seguridad en las páginas 2 y 3 las Precauciones y Advertencias que se ilustran.

CONTENIDOS DEL PAQUETE



Artículo	Descripción	Nº de pieza	Cantidad
A	3,6 m x 4,8 cm Manguera	19-1104	1
B	Filtro de espuma	61HV04	1
C	Filtro de cartucho	61HV98	1
D	Cubierta fija	783GC1	1
E	Boquilla de garra	61HW17	1
F	Pestillo de la tapa	19-0301	3
G	Tornillo	J0817230001	2

Limpiador Descripción	
Artículo	Descripción
1	Manejar
2	Interruptor
3	Pestillo de la tapa
4	De vacío de puerto
5	Depósito de polvo (no incluido)
6	Puerto del ventilador

INSTRUCCIONES IMPORTANTES SOBRE SEGURIDAD



USE SIEMPRE PROTECCIÓN OCULAR

⚠ PELIGRO



Nunca ponga en funcionamiento esta unidad ante la presencia de materiales o vapores inflamables dado que los artefactos eléctricos producen arcos o chispas que pueden causar un incendio o una explosión. ¡NUNCA DEJE LA UNIDAD FUNCIONANDO SIN SUPERVISIÓN!

Cuando utilice un artefacto eléctrico, deberá seguir siempre las precauciones básicas, entre las que se incluyen las siguientes: **LEA TODAS LAS INSTRUCCIONES ANTES DE UTILIZAR ESTE ARTEFACTO.**

⚠ ADVERTENCIA

PARA REDUCIR EL RIESGO DE INCENDIO, DESCARGA ELÉCTRICA O LESIONES:



1. No deje el electrodoméstico cuando esté enchufado o en funcionamiento. Desconéctelo del tomacorriente cuando no esté en uso y antes de realizar cualquier servicio en él.
2. No lo exponga a la lluvia. Guárdelo en interiores.
3. Siempre desconecte el enchufe del tomacorriente antes de retirar la cubierta del tanque.
4. No permita que se use como un juguete. Es necesaria una estricta supervisión cuando los niños utilicen la aspiradora o estén cerca de ella.
5. No la utilice si el enchufe o el cable están dañados. Si el electrodoméstico no está funcionando bien, sufriendo caídas, sedaño, se dejó en el exterior o cayó en el agua, póngase en contacto con un centro de servicios para obtener ayuda.
6. No jale la aspiradora ni la transporte del cable, no use el cable como manija, no cierre puertas sobre el cable ni jale del cable alrededor de esquinas o bordes filosos. No pase el electrodoméstico por sobre el cable. Mantenga el cable alejado de superficies calientes.
7. No jale del cable para desenchufarlo. Para desenchufarlo, tome el enchufe, no el cable.
8. No manipule el enchufe ni el electrodoméstico con las manos mojadas.
9. No coloque ningún objeto en las aberturas. No la use con ninguna abertura bloqueada. Mantenga libre de polvo, pelusas, cabellos o cualquier objeto que pueda reducir el flujo de aire.
10. Mantenga el cabello, las ropas holgadas, los dedos y todas las partes del cuerpo lejos de aberturas y piezas en movimiento.
11. No aspire objetos encendidos o humeantes, tales como cigarrillos, fósforos o cenizas calientes.
12. No la utilice si la bolsa para polvo o el filtro no están en su lugar.
13. Apague todos los controles antes de desenchufar.
14. Tenga sumo cuidado cuando limpie sobre escaleras.
15. No la use para aspirar líquidos inflamables o combustibles como gasolina, ni la use en áreas en que estos estén presentes.
16. No use su aspiradora como rociador de líquidos inflamables como pinturas a base de aceite, lacas, etc.
17. No aspire materiales tóxicos, cancerígenos, combustibles u otros materiales peligrosos como asbesto, arsénico, bario, plomo, pesticidas u otros que constituyan riesgo para la salud.
18. No recoja hollín, cemento, yeso o polvo de panel de yeso sin el filtro y la bolsa para polvo en su lugar. Estas son partículas muy finas que afectan el funcionamiento del motor o pueden devolverse al aire. Hay bolsas para polvo adicionales disponibles.
19. No deje el cable en el piso una vez terminado el trabajo de limpieza.
20. Tenga especial cuidado al vaciar tanques con cargas pesadas.
21. Para evitar la combustión espontánea, vacíe el tanque antes de cada uso.
22. El funcionamiento una aspiradora para uso general soplar objetos extraños a los ojos del operador y, de esta manera, causar graves daños oculares. Siempre use gafas de seguridad al usar una aspiradora.
23. MANTÉNGASE ALERTA. Presta atención a lo que hace y utilice el sentido común. No use la aspiradora si está cansado, distraído o bajo la influencia de alcohol, drogas o medicamentos que causen una disminución del control.
24. Este electrodoméstico se proporciona con doble aislamiento. Utilice solo piezas de repuesto idénticas a las de fabricación. Consulte las instrucciones para dar mantenimiento a electrodomésticos con doble aislamiento.
25. Desenchufe antes de conectar la manguera, boquilla y similares.

⚠ PRECAUCIÓN

UTILÍCELO SOLO COMO SE DESCRIBE EN ESTE MANUAL. USE SOLO LOS ACCESORIOS RECOMENDADOS POR EL FABRICANTE.

GUARDA ESTAS INSTRUCCIONES

⚠ ADVERTENCIA

NO DEJE LA ASPIRADORA SIN SUPERVISIÓN CUANDO ESTÁ CONECTADA Y/O EN FUNCIONAMIENTO. DESCONECTE LA UNIDAD CUANDO NO LA UTILICE.

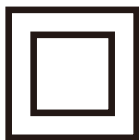
AISLAMIENTO DOBLE

⚠ ADVERTENCIA



Si el cable de alimentación está dañado, este debe ser reemplazado por el fabricante, su empresa de servicio o una persona con calificación similar para evitar peligros. Desconecte el enchufe del tomacorriente antes de realizar mantenimiento. Antes de usar la máquina, asegúrese de que la frecuencia y el voltaje indicado en la placa de calificaciones corresponda con el voltaje. Las especificaciones y los detalles están sujetos a cambio sin previo aviso. Los accesorios que se muestran en las imágenes pueden variar de un modelo a otro.

AISLAMIENTO DOBLE (CONTINUACIÓN)



En una aspiradora para seco y mojado con doble aislamiento cuentan con dos sistemas de aislamiento en lugar de una conexión a tierra. Los electrodomésticos con doble aislamiento no cuentan con un medio de puesta a tierra ni se le debe agregar uno. El mantenimiento de una aspiradora para seco y mojado con doble aislamiento requiere extremo cuidado y amplios conocimientos del sistema, por lo que solo debe estar a cargo de personal de mantenimiento calificado. Las piezas de repuesto para una aspiradora para seco y mojado con doble aislamiento deben ser idénticas a las piezas que reemplazan. Su aspiradora para seco y mojado con doble aislamiento está marcada con las palabras "DOBLE AISLAMIENTO" y el símbolo □ (cuadrado dentro de otro cuadrado) puede estar marcado sobre el electrodoméstico.

⚠ ADVERTENCIA PARA REDUCIR EL RIESGO DE LESIONES PROVOCADAS POR DESCARGAS ELÉCTRICAS, DESENCHUFE EL ELECTRODOMÉSTICO ANTES DE REALIZAR EL MANTENIMIENTO A LAS PIEZAS ELÉCTRICAS DE LA CON ASPIRADORA PARA SECO Y MOJADO.

CABLES DE EXTENSIÓN

Use solo extensiones eléctricas calificadas para uso en exteriores. Las extensiones eléctricas en malas condiciones o de tamaño muy pequeño pueden constituir peligro de incendios y descargas eléctricas. Para reducir el riesgo de estos peligros al usar una extensión eléctrica, asegúrese de que esta esté en buenas condiciones y de que la conexión no entre en contacto con líquidos. Para mantener la pérdida de energía al mínimo, use la siguiente tabla para escoger el tamaño de cable mínimo de la extensión eléctrica.

Voltios	Longitud total del cable en pies			
	25	50	100	150
120V				
Amperaje Más de	AWG			
No más de				
0 - 6	18	16	16	14
6 - 10	18	16	14	12
10 - 12	18	16	14	12

⚠ ADVERTENCIA ESTE PRODUCTO PUEDE EXPONERLO A SUSTANCIAS QUÍMICAS, INCLUIDO EL PLOMO, QUE EL ESTADO DE CALIFORNIA CONSIDERA QUE CAUSAN CÁNCER, DEFECTOS DE NACIMIENTO U OTROS DAÑOS REPRODUCTIVOS. PARA OBTENER MÁS INFORMACIÓN, VAYA A www.P65Warnings.ca.gov.

ESPECIFICACIONES

61HV93	
Estilo de depósito	Conjunto de cabezal de vacío de 55 gal
*Capacidad del depósito	Tambor de 55 gal (no incluido) Bidón de 208 litros (no incluido)
‡Régimen eléctrico	120V, 60 Hz AC 10 Amps
†Potencia máxima	3,0
‡Presión estática	84" (213 cm)
‡Movimiento de aire	88 cfm (2,5 m ³ /min)
Vatios de aire	288
Longitud del cable de corriente	18 ft (5,4 m)
Estructura del accesorio	1 7/8 in. dia (4,8 cm)
Filtración	Estándar

Certificación



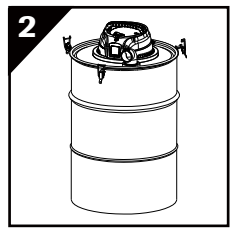
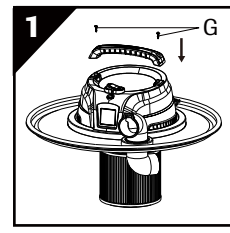
† "Potencia Pico" (PHP) es un término usado en la industria de las aspiradoras de materiales sólidos-líquidos a los fines de comparar el consumo. No significa la potencia operativa de una aspiradora de materiales sólidos-líquidos sino más bien la salida de potencia de un motor, incluyendo la fuerza inercial del motor, que se logra en una prueba de laboratorio. En la práctica, los motores aspiradora para líquidos sólidos no funcionan a la potencia pico indicada.

* Capacidad del depósito significa el volumen real del depósito, y no refleja la capacidad disponible durante el funcionamiento.

‡ Probado según la norma ASTM con una manguera de 1 7/8" (4,8 cm) y de largo de 12' (3,6 m).

INSTRUCCIONES DE MONTAJE

1. Instale la manija como se muestra a continuación con los tornillos (G) provistos (Figure 1).
2. Prepare un tambor de 55 gal (no incluido) para la instalación del conjunto de vacío.
3. Instale el cabezal de potencia y aplique presión con el pulgar en cada pestillo hasta que encaje firmemente en su lugar. Asegúrese de que todos los pestillos de la tapa estén bien sujetos (Figure 2).
4. Inserte el extremo de la manguera en el puerto de entrada de vacío.
5. Enchufe el cable en el tomacorriente de la pared. El limpiador está listo para usarse.
6. Encienda la unidad presionando el interruptor de la posición "O" a la posición "I". La "O" es la posición "APAGADO" y la "I" es la posición "ENCENDIDO" (Figure 3).



INSTRUCCIONES DE FUNCIONAMIENTO



⚠ PELIGRO

Inflamables o polvo explosivo en el aire. Los gases o vapores inflamables incluyen, entre otros: Líquidos de encendedores, limpiadores tipo solvente, pinturas a base de aceite, gasolina, alcohol y rociadores en aerosol. Los polvos explosivos incluyen, entre otros: Carbón, magnesio, aluminio y pólvora o pólvora cilíndrica. No aspire polvos explosivos, líquidos inflamables o combustibles ni cenizas calientes. No use esta aspiradora como rociador de líquidos inflamables o combustibles. Para reducir el riesgo de peligros para la salud debido a vapores o polvo, no aspire materiales tóxicos.

⚠ ADVERTENCIA

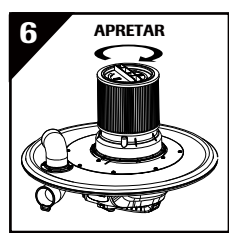
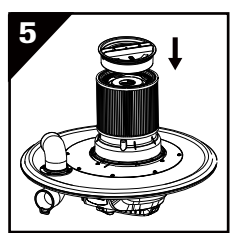
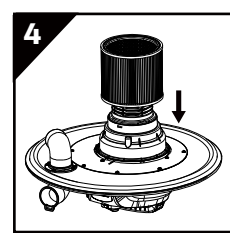
El funcionamiento de cualquier aspiradora para uso general puede soplar objetos extraños a los ojos del operador y, de esta manera, causar graves daños oculares. Siempre use gafas de seguridad que cumplan con ANSI Z87.1 (o con CSA Z94.3 en Canadá) antes de comenzar la operación.

⚠ PRECAUCIÓN

Para reducir el riesgo de daños auditivos, use protectores para los oídos cuando use la aspiradora por varias horas o en un entorno bullicioso.

ASPIRADO EN SECO

1. El filtro debe estar siempre en la posición correcta para reducir el riesgo de fugas y posibles daños a la aspiradora. Asegúrese de que el filtro cubra completamente la caja del filtro. Asegúrese de que no haya espacios entre el filtro y la tapa (Figura 4-6). Es muy importante montar el filtro en la jaula sin permitir posibles fugas o roturas. Cualquier fuga permitirá que los escombros recogidos salgan por el orificio del ventilador y vuelvan al entorno circundante.
2. Cuando utilice la aspiradora para recoger polvo muy fino, será necesario vaciar el depósito de polvo y limpiar o reemplazar el filtro a intervalos más frecuentes para mantener el máximo rendimiento de la aspiradora.



⚠ PRECAUCIÓN

Para reducir el riesgo de daños a la aspiradora, no haga funcionar el motor con el flotador en la posición elevada.

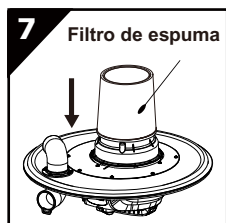
Se necesita un filtro seco para recoger el material seco. Si usa la aspiradora para aspirar polvo cuando el filtro está mojado, este se obstruirá rápidamente y la limpieza será muy difícil. Si el filtro se moja, reemplácelo antes de continuar aspirando.

INSTRUCCIONES DE FUNCIONAMIENTO (CONTINUED)

RECOGIDA HÚMEDA

Este limpiador requiere una conversión mínima cuando se pasa de recolección en seco a húmedo. Se puede usar un filtro de cartucho limpio para aspirar pequeñas cantidades de líquido. Para obtener mejores resultados al aspirar grandes cantidades de líquido, retire el filtro de cartucho y cualquier o filtros de polvo reutilizables. Instale el filtro de espuma (Figura 7). La instalación del filtro de espuma ayudará a proteger el motor y minimizará la potencial de empañamiento que puede aparecer en el aire de escape o goteo de líquido alrededor de la tapa.

1. Esta aspiradora en seco / húmedo está equipada con un mecanismo de flotación que se elevará automáticamente cuando el líquido ingrese al tanque. Cuando el líquido en el tanque alcanza un nivel predeterminado, el mecanismo de flotación cortará el flujo de aire (Figura 8). Sabrás cuando el flotador El mecanismo ha cortado el flujo de aire porque cesa la succión y el motor hace un ruido más agudo debido al aumento de la velocidad del motor. La capacidad de líquido del tanque puede variar con la tasa de recogida de líquido.
2. Cuando esto suceda, apague la aspiradora. Consulte "VACIADO DEL DEPÓSITO" para eliminar el líquido del tanque.
3. Después de completar un trabajo de recogida de líquidos, levante la manguera de aspiración para drenar el exceso de líquido restante en el tanque antes de vaciar el tanque por última vez.



PRECAUCIÓN *LOS ACCESORIOS DE RECOGIDA HÚMEDA DEBEN LAVARSE PERIÓDICAMENTE, ESPECIALMENTE DESPUÉS DE RECOGER ACCIDENTES DE COCINA PEGAJOSOS Y HÚMEDOS. ESTO SE PUEDE LOGRAR CON UNA SOLUCIÓN CALIENTE DE AGUA Y JABÓN.*

VACIAR EL DEPÓSITO

Tenga especial cuidado al vaciar bidones muy cargados. Si su tambor de 55 galones viene equipado con un drenaje de tanque, utilícelo para vaciar el tanque. Si no es así, el tambor de 55 galones se puede vaciar de desechos líquidos quitando la tapa del tambor. Para vaciar el tambor, primero apague el interruptor de encendido de la unidad y retire el enchufe del tomacorriente. Quite los tres pestillos que sujetan la tapa al tambor. Retire la cubierta del tambor y la unidad de cabezal de potencia y colóquelos a un lado. Ahora puede vaciar el tanque de forma segura.

FUNCIONAMIENTO DE SOPLADO)

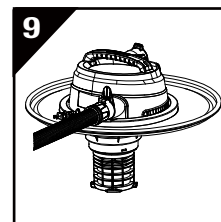
ADVERTENCIA *Para evitar lesiones a los transeúntes, manténgalos alejados de la suciedad soplada. Use una mascarilla antipolvo si el soplado provoca polvo que pueda ser inhalado.*

PRECAUCIÓN *Use una mascarilla antipolvo si el soplado provoca polvo que pueda ser inhalado.*

Para reducir el riesgo de daños auditivos, use protectores para los oídos cuando use la aspiradora/soplador por varias horas o en un entorno bullicioso.

Su aspiradora cuenta con una característica de soplado. Tiene la capacidad de soplar aserrín y otros residuos. Puede usarse para soplar polvo y suciedad de garajes o de patios y entradas de garaje. Siga los siguientes pasos para usar su aspiradora como soplador (Figura 9).

1. Localice el puerto del ventilador en la aspiradora.
2. Inserte un extremo de la manguera de 12 ft x 1 7/8 in / 3,6 m x 4,8 cm en el puerto de soplado.
3. Encienda la aspiradora.



GUÍA PARA LA SOLUCIÓN DE PROBLEMAS

Síntoma	Causa(s) posible(s)	Acción correctiva
El vacío no funciona	<ol style="list-style-type: none"> 1. No hay energía en la toma de corriente 2. Mala conexión en la toma de corriente 3. Interruptor de encendido defectuoso 4. Motor defectuoso 5. Cable de alimentación defectuoso 	<ol style="list-style-type: none"> 1. Verifique que haya energía en la toma de corriente 2. Verifique la conexión del cable de alimentación en la toma de corriente. 3. Reemplace el interruptor de encendido 4. Reemplace el motor 5. Reemplace el vacío
Se pierde la capacidad de succión en mojado	<ol style="list-style-type: none"> 1. Tanque lleno 2. La manguera está obstruida 3. El filtro está obstruido 	<ol style="list-style-type: none"> 1. Drene y limpie el tanque 2. Retire la manguera y limpie la suciedad 3. Limpie o reemplace el filtro
Se pierde la capacidad de succión en seco	<ol style="list-style-type: none"> 1. Tanque lleno 2. La manguera está obstruida 3. El filtro está obstruido 	<ol style="list-style-type: none"> 1. Drene y limpie el tanque 2. Retire la manguera y limpie la suciedad 3. Limpie o reemplace el filtro

MANTENIMIENTO/REPARACIONES

REEMPLAZO DEL FILTRO

⚠ ADVERTENCIA *Para reducir el riesgo de lesiones debido a arranques accidentales, desenchufe el cable de alimentación antes de cambiar o limpiar el filtro. Debe limpiar el filtro a menudo para mantener el máximo rendimiento de la aspiradora. No retire la caja del filtro ni el flotador. El flotador evita que el agua ingrese al propulsor y que dañe el motor. La caja evita que los dedos toquen el propulsor en movimiento.*

⚠ PRECAUCIÓN *Para evitar daños en la rueda y el motor del soplador, siempre vuelva a instalar el filtro reutilizable antes de usar la aspiradora para aspirar en seco y siempre vuelva a instalar el filtro de espuma antes de usar la aspiradora para aspirar en mojado. Después de limpiar, revise si el filtro tiene desgarraduras u orificios pequeños. No use la aspiradora si un filtro tiene orificios o desgarraduras. Incluso un pequeño orificio puede causar que salga mucho polvo de su aspiradora. Reemplácelo inmediatamente. Si el filtro está limpio y no se ha dañado, vuelva a colocarlo en la caja del filtro. Si no puede reutilizarse, coloque un nuevo filtro en la caja del filtro. Limpie el filtro en un área abierta. La limpieza se debe efectuar en exteriores y no en áreas habitadas.*

LIMPIEZA

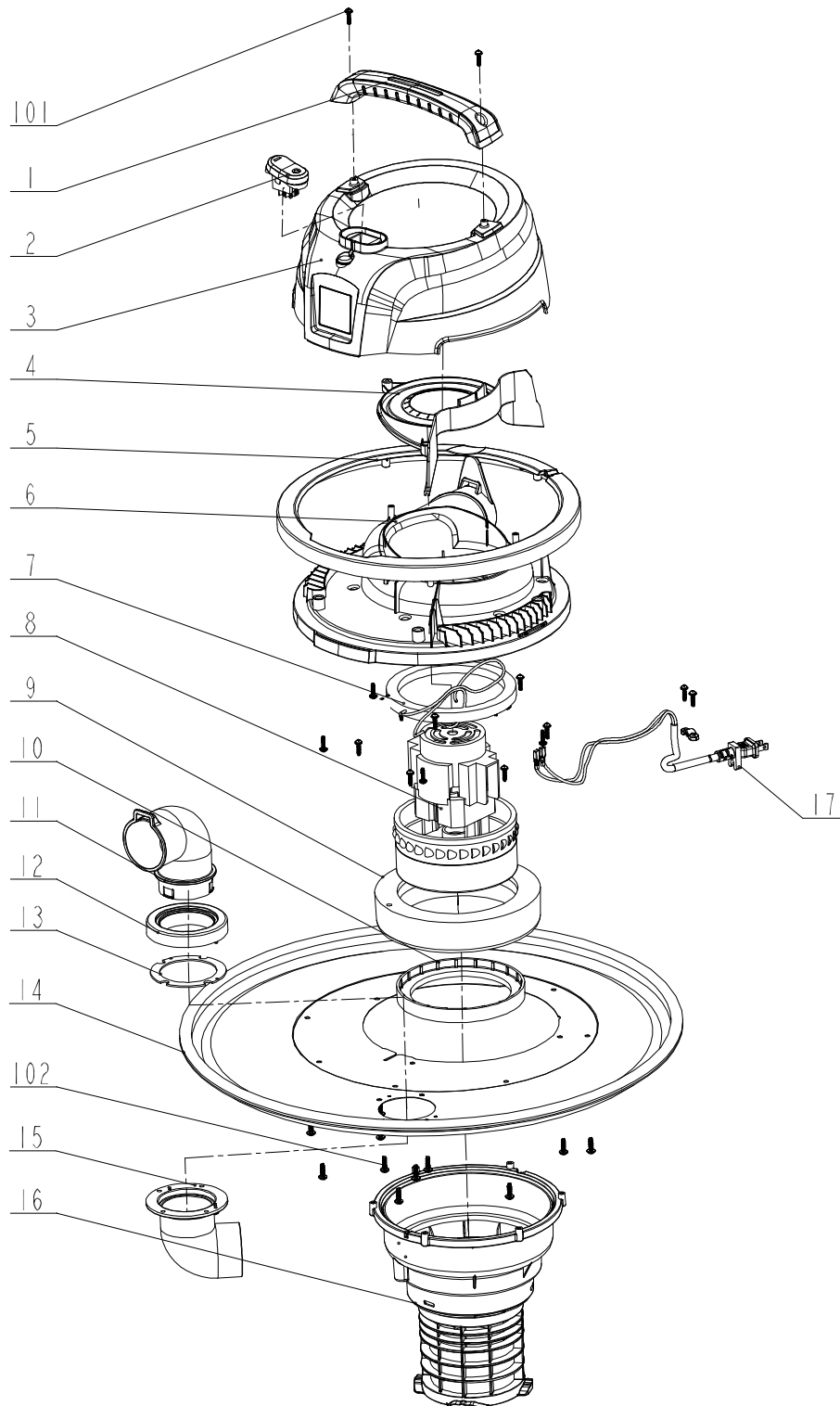
Para mantener su aspiradora para seco/mojado con una apariencia perfecta, limpie la superficie exterior con un paño humedecido con agua tibia y jabón suave. Para limpiar el tanque:

1. Retire los desechos.
2. Lave el tanque completamente con agua tibia y jabón suave.
3. Limpie con un paño seco.

ALMACENAJE

Antes de almacenar la aspiradora, se debe vaciar y limpiar el tanque de polvo. El cable debe envolverse y colgarse de la unidad. La aspiradora debe almacenarse en interiores.

ILUSTRACIÓN DE PIEZAS DE REPARACIÓN PARA LAS UNIDADES 61HV93



Para piezas de reparación llame al 1-800 Grainger

las 24 horas del día – 365 días al año

Por favor, suministre la siguiente información:

- Número de modelo
- Número de serie (en caso de haber)
- Descripción y número de la pieza tal como aparece en la lista de piezas

LISTA DE PIEZAS DE REPARACIÓN PARA LAS UNIDADES 61HV93

Nº de Ref.	Descripción	61HV93	Cantidad
1	Mango de transporte	F6400200401	1
2	Botón Interruptor	D3002000155	1
3	Cubierta superior	Q0281012001	1
4	Deflector térmico	Q0281232001	1
5	Placa de presión de la cubierta inferior	Q799AA12001	1
6	Tapa inferior	F5013701224	1
7	Anillo de sellado de la campana de aire	X0400820117	1
8	Motora	22550049	1
9	Esponja silenciadora	G0406190082	1
10	Anillo de sellado del motor	X0400820116	1
11	Asiento de ventosa	Q799AA22001	1
12	Placa de presión del asiento de succión	Q799AA32001	1
13	Empaquetadura	X7997080351	1
14	Cubierta inferior de metal	JAA45430775	1
15	Codo de toma de succión	Q7997852001	1
16	Jaula de filtro	61HV93-1	1
17	Cable de alimentación	D1013037284	1
101	Tornillos autorroscantes ST3.9 x16F	J0817230001	18
102	Tornillos autorroscantes ST4.8 x16F	J0787070033	14

El único mantenimiento que usted debe darle es el que se describe en las Instrucciones de funcionamiento y el Manual del Usuario.

CÓMO COMENZAR

SEGURIDAD/
ESPECIFICACIONES

MONTAJE/INSTALACIÓN

FUNCIONAMIENTO

SOLUCIÓN DE PROBLEMAS

MANTENIMIENTO/
REPARACIONES

GARANTÍA LIMITADA DE UN AÑO DE DAYTON

GARANTÍA LIMITADA DE UN AÑO DE DAYTON. Dayton Electric Mfg. Co. ("Dayton") garantiza al usuario original que todos los modelos Dayton® cubiertos por este manual están libres de defectos de mano de obra o en los materiales en condiciones de uso normal durante un año a partir de la fecha de compra. Si el producto Dayton es parte de un conjunto, solamente la parte que es defectuosa está sujeta a esta garantía. Cualquier producto o parte que se identifique como defectuoso en mano de obra o materiales y se devuelva a un centro autorizado de servicio técnico, según lo establezca Dayton o el representante de Dayton, con costos de envío prepagos, será como remedio exclusivo, reparado o reemplazado por un producto o parte nuevos o reacondicionados de igual utilidad o se ofrecerá un reintegro completo, a opción de Dayton o su representante, sin costo alguno. Consulte "Servicio de Garantía" más abajo para informarse sobre los procedimientos para reclamos cubiertos por la garantía limitada. La garantía es nula si hubiera evidencia de uso inadecuado, reparación o instalación inadecuadas, abuso o alteración. Esta garantía no cubre el uso y desgaste normales de los productos de Dayton o sus partes, o productos y partes que son consumibles con un uso normal. Esta garantía le otorga a los compradores derechos legales específicos, y usted también puede tener otros derechos, que varían de una jurisdicción a otra.

DESCARGOS DE RESPONSABILIDAD Y LIMITACIONES DE RESPONSABILIDAD DE LA GARANTÍA RELACIONADOS CON TODOS LOS CLIENTES PARA TODOS LOS PRODUCTOS

LIMITACIÓN DE LAS RESPONSABILIDADES. EN LA MEDIDA DE LO PERMITIDO POR LA LEY APLICABLE, DAYTON EXPRESAMENTE RECHAZA CUALQUIER RESPONSABILIDAD POR DAÑOS Y PERJUICIOS INDIRECTOS E INCIDENTALES. EN CUALQUIER CASO LA RESPONSABILIDAD DE DAYTON SE LIMITARÁ AL PRECIO DE COMPRA PAGADO Y NO SUPERARÁ EL MISMO.

DESCARGO DE GARANTÍA. SE HA REALIZADO UN ESFUERZO DILIGENTE POR PROVEER INFORMACIÓN SOBRE EL PRODUCTO E ILUSTRAR LOS PRODUCTOS EN ESTE MATERIAL IMPRESO CON LA MAYOR PRECISIÓN; SIN EMBARGO, TAL INFORMACIÓN Y TALES ILUSTRACIONES SE SUMINISTRAN AL SOLO EFECTO DE IDENTIFICACIÓN Y EN NINGÚN MODO IMPLICAN O EXPRESAN UNA GARANTÍA DE COMERCIABILIDAD DE LOS PRODUCTOS O DE SU ADECUACIÓN A UN FIN PARTICULAR, O DE QUE LOS PRODUCTOS NECESARIAMENTE SERÁN TAL Y COMO APARECEN EN LAS ILUSTRACIONES O DESCRIPCIONES. CON EXCEPCIÓN DE LO PREVISTO MÁS ABAJO, DAYTON NO REALIZA NI AUTORIZA NINGUNA GARANTÍA O AFIRMACIÓN DE HECHO, YA SEA EXPRESA O IMPLÍCITA, DISTINTA DE LO INDICADO EN LA "GARANTÍA LIMITADA" MÁS ARRIBA.

PRODUCTO ADECUADO. MUCHAS JURISDICCIONES TIENEN CÓDIGOS Y REGULACIONES QUE RIGEN EN MATERIA DE VENTA, CONSTRUCCIÓN, INSTALACIÓN Y/O USO DE PRODUCTOS PARA CIERTOS FINES, LOS CUALES PUEDEN VARIAR RESPECTO DE LOS VIGENTES EN ÁREAS VECINAS. SI BIEN SE REALIZAN TODOS LOS ESFUERZOS PARA ASEGURAR QUE LOS PRODUCTOS DAYTON CUMPLAN CON TALES CÓDIGOS, DAYTON NO PUEDE GARANTIZAR EL CUMPLIMIENTO Y NO PUEDE SER RESPONSABLE POR LA FORMA EN QUE SE INSTALA O USA EL PRODUCTO. ANTES DE COMPRAR Y USAR UN PRODUCTO, REVISE LA SEGURIDAD Y ESPECIFICACIONES DEL PRODUCTO Y TODOS LOS CÓDIGOS Y REGULACIONES NACIONALES Y LOCALES APLICABLES, Y ASEGÚRESE DE QUE EL PRODUCTO, SU INSTALACIÓN Y USO CUMPLAN CON LOS MISMOS.

CONSUMIDORES SOLAMENTE. CIERTOS ASPECTOS DE LOS DESCARGOS DE RESPONSABILIDAD NO SON APLICABLES A LOS PRODUCTOS DE CONSUMO VENDIDOS A LOS CONSUMIDORES; (A) ALGUNAS JURISDICCIONES NO PERMITEN LA EXCLUSIÓN O LIMITACIÓN DE DAÑOS INCIDENTALES O INDIRECTOS, POR LO TANTO LA LIMITACIÓN O EXCLUSIÓN ANTERIOR PUEDE SER APLICABLE PARA USTED; (B) ASÍMISMO, ALGUNAS JURISDICCIONES NO PERMITEN UNA LIMITACIÓN SOBRE LA DURACIÓN DE UNA GARANTÍA LIMITADA DE MANERA QUE LA LIMITACIÓN ANTERIOR PUEDE NO SER APLICABLE PARA USTED; Y (C) POR LEY DURANTE EL PERÍODO DE ESTA GARANTÍA LIMITADA, CUALQUIER GARANTÍA IMPLÍCITA DE COMERCIABILIDAD O ADECUACIÓN A UN PROPÓSITO EN PARTICULAR APLICABLE A PRODUCTOS DE CONSUMO COMPRADOS POR LOS CONSUMIDORES, NO PUEDE SER EXCLUIDA O ANULADA.

ESTA GARANTÍA LIMITADA SOLO SE APLICA A COMPRADORES DE EE.UU. PARA ENTREGA EN LOS ESTADOS UNIDOS.

SERVICIO DE GARANTÍA

Para obtener un servicio de garantía si usted compró el producto cubierto directamente a W.W. Grainger, Inc. ("Grainger"), (i) escriba o visite la sucursal local de Grainger en donde compró el producto u otra sucursal cerca de su domicilio (vea www.grainger.com para obtener un listado de las sucursales de Grainger); o (ii) contacte a Grainger visitando el sitio www.grainger.com y haciendo clic en el vínculo "Contact Us" (Contáctenos) en la parte superior de la página, luego haga clic en el vínculo "Email us" (Envíenos un correo electrónico); o (iii) llame a Asistencia al Cliente (número gratuito) al 1-888-361-8649. Para obtener servicio de garantía si compró el producto cubierto a otro distribuidor o vendedor, (i) visite www.grainger.com para Servicio de Garantía; (ii) escriba, llame o visite una sucursal de Grainger cerca de su domicilio; o (iii) llame al Servicio de Atención al Cliente (número gratuito) al 1-888-361-8649. En cualquier caso, deberá suministrar, en lo posible, la fecha de compra, el número de factura original, el número de artículo, una descripción del defecto y cualquier otra información especificada en esta Garantía Limitada de Un Año de Dayton. Es posible que deba enviar el producto para su inspección a su costo. Puede seguir el progreso de las inspecciones y correcciones de la misma manera. La propiedad y el riesgo de pérdida se transfieren al comprador en la entrega al transportista, de manera que si el producto sufre algún daño en tránsito a usted, realice un reclamo ante la empresa de transporte y no ante el vendedor, Grainger o Dayton. Para obtener información sobre la garantía en relación con los compradores y/o la entrega de los productos fuera de los Estados Unidos, por favor, utilice la siguiente información de contacto:

**Dayton Electric Mfg. Co.,
100 Grainger Parkway, Lake Forest, IL 60045 U.S.A.
o llame al teléfono +1-888-361-8649**

®
Dayton



Aspirateur pour déchets secs/ humides

USAGE COMMERCIAL / INDUSTRIEL

Modèle 61HV93

®
Dayton

**VEUILLEZ LIRE ET CONSERVER
CES INSTRUCTIONS.
LISEZ ATTENTIVEMENT AVANT
D'ESSAYER D'ASSEMBLER,
D'INSTALLER, D'ACTIONNER
OU D'ENTREtenir LE
PRODUIT DÉCRIT.**

**PROTÉGEZ-VOUS, ET PROTÉGEZ
LES AUTRES, EN TENANT
COMPTE DES CONSIGNES
DE SÉCURITÉ. LE NON-RESPECT
DE CES CONSIGNES PEUT
ENTRAÎNER DES BLESSURES
CORPORELLES OU CAUSER DES
DÉGÂTS MATÉRIELS. CONSERVEZ
LES INSTRUCTIONS À DES FINS
DE RÉFÉRENCE ULTÉRIEURE.**

**REPORTEZ-VOUS À L'ENDOS
POUR Y TROUVER DE
L'INFORMATION CONCERNANT
LA GARANTIE DAYTON ET
D'AUTRES RENSEIGNEMENTS
IMPORTANTES.**

No de modèle : _____

No de série : _____

Date d'achat : _____

*Formulaire à communiquer 5S61HV93 / Imprimé en Chine
03865 Version 1 11/2021*

*© 2021 Dayton Electric Manufacturing Co.
Tous droits réservés.*

AVANT DE COMMENCER



Outils nécessaires :

- Tournevis cruciforme
- Lunettes de sécurité

DÉBALLAGE

Déballer :

- Tirez les verrous du couvercle dans un mouvement extérieur afin de retirer le couvercle du réservoir et tous les accessoires qui ont pu être envoyés dans le réservoir.

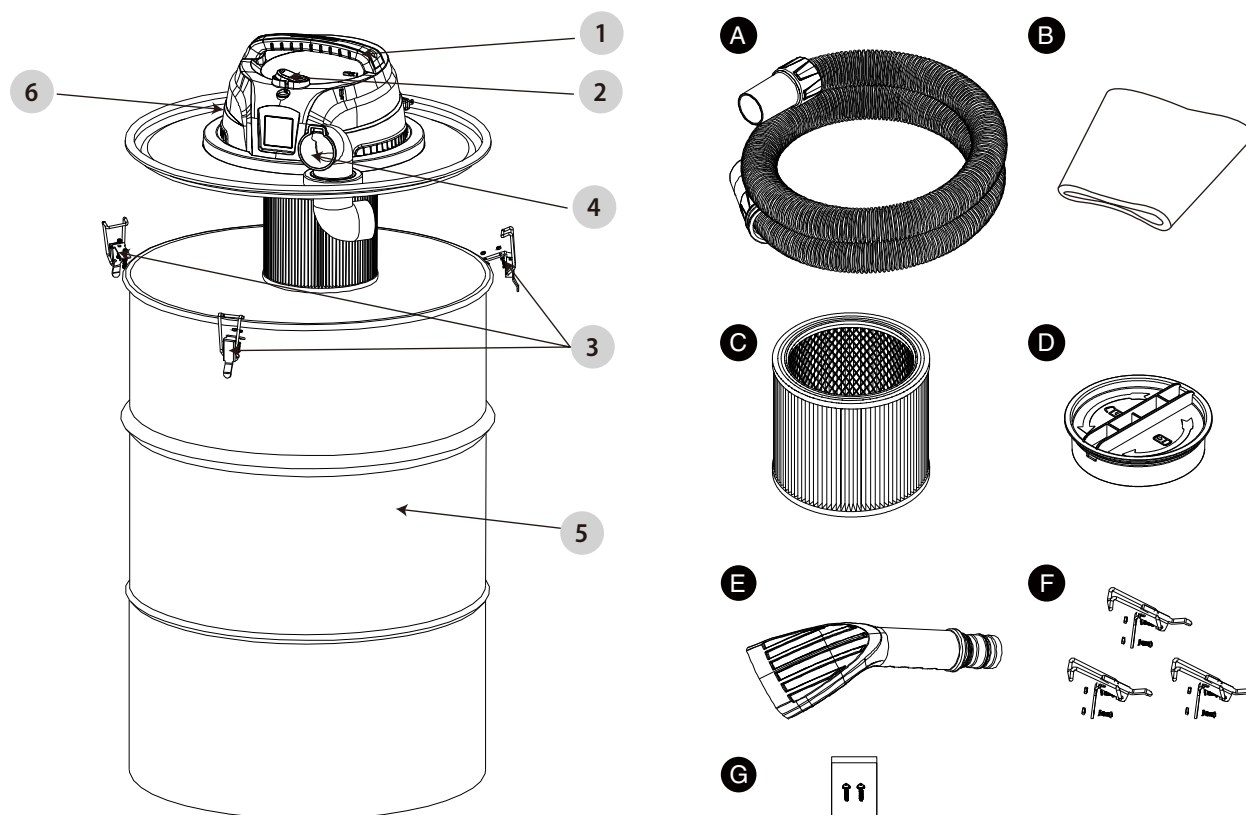
Inspecter :

- Après avoir déballé l'appareil, inspectez-le soigneusement et contrôlez l'absence de dommages qui pourraient avoir eu lieu pendant le transport. Vérifiez qu'il n'y a aucune pièce détachée, manquante ou endommagée. Toute réclamation portant sur les produits endommagés en cours d'expédition doit être adressée au transporteur.



Consultez les instructions générales de sécurité de la page 2 et 3, et les mises en garde et avertissements comme indiqué.

CONTENU DU COLIS



Pièce	La description	Numéro d'article	Quantité
A	3,6 m x 4,8 cm Tuyau	19-1104	1
B	Filtre en mousse	61HV04	1
C	Filtre à cartouche	61HV98	1
D	Couverture fixe	783GC1	1
E	Buse à griffes	61HW17	1
F	Couvercle loquat	19-0301	3
G	Vis	J0817230001	2

Limpiador Descripción	
Pièce	La description
1	Manipuler
2	Interrupteur
3	Couvercle loquat
4	Aspirateur port
5	Seau à poussière (non inclus)
6	Port du ventilateur

CONSIGNES DE SÉCURITÉ IMPORTANTES



PORTEZ TOUJOURS DES LUNETTES DE PROTECTION

⚠ DANGER



Comme les appareils électriques produisent des arcs ou des étincelles qui peuvent causer un incendie ou une explosion, ne faites jamais fonctionner cet appareil lorsque des matières ou des vapeurs inflammables sont présentes. **NE FAITES JAMAIS FONCTIONNER SANS SURVEILLANCE!**

Lorsque vous utilisez un appareil électrique, des précautions de base doivent toujours être respectées, notamment :

LISEZ TOUTES LES INSTRUCTIONS AVANT D'UTILISER CET APPAREIL.

⚠ AVERTISSEMENT

POUR RÉDUIRE LE RISQUE D'INCENDIE, DE DÉCHARGE ÉLECTRIQUE OU DE BLESSURE :



1. Ne laissez pas l'appareil sans surveillance lorsqu'il est branché. Débranchez l'appareil de la prise lorsque vous ne l'utilisez pas et avant d'en effectuer l'entretien. Branchez le cordon uniquement sur une prise correctement mise à la terre. Consultez les instructions pour la mise à la terre.
2. N'exposez pas l'appareil à la pluie. Rangez-le à l'intérieur.
3. Débranchez toujours l'appareil de la prise murale avant de retirer le couvercle du réservoir.
4. Cet appareil ne doit pas être utilisé comme un jouet. Une surveillance étroite est de rigueur lorsque l'appareil est manipulé par des enfants ou à proximité de ces derniers.
5. N'utilisez pas l'appareil si le cordon d'alimentation ou la fiche sont endommagés. Si l'appareil ne fonctionne pas bien, s'il est tombé sur le sol ou dans l'eau, s'il est endommagé ou s'il est resté à l'extérieur, communiquez avec le centre de services pour obtenir de plus amples renseignements.
6. Évitez de tirer sur le cordon d'alimentation, de transporter l'appareil par le cordon, d'utiliser le cordon comme poignée, de coincer le cordon dans une porte ou de faire passer le cordon autour d'un rebord ou d'un coin coupant. Évitez de passer l'appareil sur le cordon. Tenez le cordon d'alimentation loin des surfaces chaudes.
7. Ne le débranchez pas en tirant sur le cordon. Pour le débrancher, saisissez la fiche et non le cordon d'alimentation.
8. Ne touchez pas à la fiche ni à l'appareil lorsque vous avez les mains mouillées.
9. Ne placez aucun objet dans les ouvertures. N'utilisez pas l'appareil lorsque les ouvertures sont bloquées. Assurez-vous que les ouvertures sont exemptes de poussière, de peluches, de cheveux ou de tout objet qui pourrait réduire le débit d'air.
10. Gardez les cheveux, les vêtements amples, les doigts et toutes les parties du corps loin des ouvertures et des pièces mobiles.
11. N'aspirez jamais d'objets brûlants ou fumants, par exemple une cigarette, une allumette ou des cendres chaudes.
12. N'utilisez pas l'appareil si le sac à poussière ou les filtres ne sont pas en place.
13. Réglez toutes les commandes en position d'arrêt (OFF) avant de débrancher l'appareil.
14. Redoublez de vigilance lorsque vous nettoyez des escaliers.
15. N'aspirez pas de liquides inflammables ou combustibles (par exemple, de l'essence) et n'utilisez pas l'appareil dans des zones où ces liquides peuvent être présents.
16. N'utilisez pas votre aspirateur pour pulvériser des liquides inflammables tels que des peintures à l'huile, des laques, etc.
17. N'aspirez pas de matières toxiques, cancérigènes ou inflammables, ni d'autres matières dangereuses pour la santé comme l'amiante, l'arsenic, le baryum, le béryllium, le plomb ou les pesticides.
18. N'aspirez pas de poussière de suie, de ciment, de plâtre ou de cloison sèche si le filtre et le sac à poussière ne sont pas en place. Il s'agit de particules très fines qui peuvent nuire à la performance du moteur ou être relâchées dans l'air.
19. Ne laissez pas le cordon d'alimentation traîner sur le sol après avoir fini de passer l'aspirateur. Vous pourriez vous y prendre les pieds et trébucher.
20. Soyez particulièrement prudents lorsque vous videz des réservoirs lourdement chargés.
21. Afin d'éviter la combustion spontanée, videz le réservoir après chaque utilisation.
22. Un aspirateur pour matières sèches et liquides peut projeter des corps étrangers, présentant ainsi des risques de blessure aux yeux. Portez toujours des lunettes de sécurité lorsque vous utilisez l'aspirateur.
23. **DEMEUREZ VIGILANT.** Prêtez attention à ce que vous faites et faites preuve de bon sens. N'utilisez pas l'aspirateur lorsque vous ressentez de la fatigue, que vous êtes distrait ou que vous êtes sous l'effet de drogues, d'alcool ou de médicaments altérant vos capacités.
24. Cet appareil comprend une double isolation. Utilisez uniquement des pièces de rechange identiques. Consultez les instructions pour en savoir plus sur l'entretien des appareils à double isolation.
25. Débranchez l'appareil avant d'y installer le tuyau, la buse et tout élément similaire.

⚠ MISE EN GARDE

Utilisez uniquement comme décrit dans ce manuel. Utilisez uniquement du fabricant recommandé les pièces jointes.

CONSERVEZ CES INSTRUCTIONS

⚠ AVERTISSEMENT

NE LAISSEZ PAS L'ASPIRATEUR SANS SURVEILLANCE QUAND IL EST BRANCHÉ OU EN FONCTIONNEMENT. DÉBRANCHEZ L'APPAREIL QUAND IL N'EST PAS UTILISÉ.

DOUBLE ISOLATION


⚠ AVERTISSEMENT



Si le cordon d'alimentation est endommagé, il doit être remplacé par le fabricant ou son agent de service ou une personne de qualification similaire afin d'éviter tout danger.

Débranchez toujours cet appareil avant d'en effectuer l'entretien. Avant d'utiliser l'appareil, assurez-vous que la fréquence et que la tension indiquée sur l'étiquette correspondent à la tension électrique de la source d'alimentation principale. Les caractéristiques et les détails relatifs au produit sont modifiables sans préavis. Les accessoires illustrés dans le présent document peuvent varier d'un modèle à l'autre.



Dans un aspirateur eau et poussière à double isolation, deux systèmes d'isolation sont prévus au lieu de la mise à la terre. Un appareil à double isolation n'est pas mis à la terre et ne doit pas l'être. L'entretien d'un aspirateur eau et poussière à double isolation exige une extrême prudence et une connaissance du système, et ne doit être effectué que par un technicien qualifié. Les pièces de rechange d'un appareil à double isolation doivent être identiques aux pièces d'origine de ce produit. Votre aspirateur eau et poussière porte la mention « DOUBLE INSULATED » (double isolation), ainsi que le symbole  du carré dans le carré.

⚠ AVERTISSEMENT

L'ASPIRATEUR SEC / HUMIDE.

POUR RÉDUIRE LE RISQUE DE BLESSURE PAR ÉLECTROCUTION, DÉBRANCHEZ LE CORDON D'ALIMENTATION AVANT DE RÉPARER LES PIÈCES ÉLECTRIQUES DE

CORDONS PROLONGATEURS

N'utilisez que les rallonges conçues pour une utilisation extérieure. L'utilisation de rallonges en mauvais état ou d'un calibre trop petit peut provoquer des incendies et des décharges électriques. Afin de réduire ces risques lors de l'utilisation d'une rallonge, assurez-vous qu'elle est en bon état et que le branchement n'entre pas en contact avec des liquides. Afin de réduire au minimum la perte de puissance, utilisez le tableau suivant pour déterminer la longueur minimale nécessaire de la rallonge.

Volts	Longueur totale du cordon en pieds				
	25	50	100	150	
120V					
Intensité nominale Plus que	Moins que	AWG			
0 - 6	18	16	16	14	
6 - 10	18	16	14	12	
10 - 12	18	16	14	12	

⚠ AVERTISSEMENT



D'INFORMATIONS, RENDEZ-VOUS SUR www.P65Warnings.ca.gov.

CE PRODUIT PEUT VOUS EXPOSER À DES PRODUITS CHIMIQUES, Y COMPRIS LE PLOMB, QUE L'ÉTAT DE LA CALIFORNIE RECONNAÎT COMME POUVANT CAUSER LE

CANCER, DES ANOMALIES CONGÉNITALES OU D'AUTRES PROBLÈMES LIÉS À LA REPRODUCTION. POUR PLUS

SPÉCIFICATIONS

61HV93

Style de réservoir	Ensemble de tête d'aspirateur de 55 gallons
*Capacité du réservoir	Tambour de 55 gallons (non inclus) Fût de 208 litres (non inclus)
†Caractéristiques électriques	120V, 60 Hz AC 10 Amps
†Puissance en pointe (HP)	3,0
†Pression statique	84" (213 cm)
†Mouvement de l'air	88 cfm (2,5 m ³ /min)
Air watts	288
Longueur du câble d'alimentation	18 ft (5,4 m)
Composition d'accessoires	1 7/8 in. dia (4,8 cm)
Filtration	La norme
Certification	 CONFORMS TO UL STD. 1017  CERTIFIED TO CSA STD. C22.2 NO.243

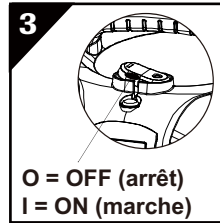
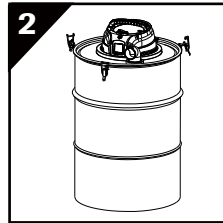
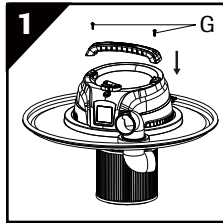
† La « puissance de pointe » (PHP) est un terme utilisé dans l'industrie des aspirateurs pour déchets secs ou humides à des fins de comparaison pour les consommateurs. Elle ne désigne pas la puissance opérationnelle d'un aspirateur pour déchets secs ou humides, mais plutôt la sortie de puissance d'un moteur, y compris la contribution par inertie du moteur, réalisée dans des tests en laboratoire. Lors d'une utilisation réelle, les moteurs aspirateur de déchets secs humides ne fonctionnent pas à la puissance de pointe montrée.

* La capacité du réservoir se rapporte au volume réel du réservoir et n'a aucune incidence sur la capacité disponible pendant le fonctionnement.

‡ Testé selon la norme ASTM avec un tuyau de 12 pi (3,6 m) de longueur et 1 7/8 po (4,8 cm) de diamètre.

INSTRUCTIONS DE MONTAGE

1. Installez la poignée comme illustré ci-dessous avec les vis (G) fournies (**Figure 1**).
2. Préparez un baril de 55 gallons (non inclus) pour l'installation de l'ensemble sous vide.
3. Installez le bloc moteur et appliquez une pression avec le pouce sur chaque loquet jusqu'à ce qu'il s'enclenche fermement. Assurez-vous que tous les loquets du couvercle sont bien serrés (**Figure 2**).
4. Insérez l'extrémité du tuyau dans l'orifice d'entrée du vide.
5. Branchez le cordon dans la prise murale. Le nettoyeur est prêt à l'emploi.
6. Mettez l'appareil en marche en poussant l'interrupteur de la position « O » à la position « I ». Le « O » est la position « OFF » et le « I » est la position « ON » (**Figure 3**).



MODE D'EMPLOI

**⚠ DANGER**

Pour réduire le risque d'incendie ou d'explosion, n'utilisez pas cet aspirateur dans des zones avec des gaz inflammables, des vapeurs ou des poussières explosives dans l'air. Les gaz ou vapeurs inflammables comprennent, mais sans s'y limiter : les liquides à briquet, les nettoyants de type solvant, les peintures à l'huile, l'essence, l'alcool ou les aérosols. Les poussières explosives comprennent, mais sans s'y limiter: le charbon, magnésium, aluminium et poudre de grain ou de pistolet. N'aspirez pas de poussières explosives, de liquides inflammables ou combustibles ou de cendres chaudes. N'utilisez pas cet aspirateur comme pulvérisateur pour tout liquide inflammable ou combustible. Pour réduire les risques pour la santé liés aux vapeurs ou aux poussières, ne pas aspirer de matières toxiques.

⚠ AVERTISSEMENT

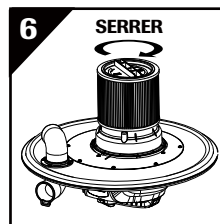
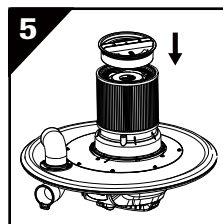
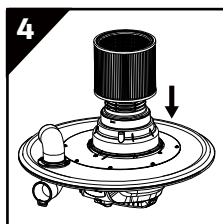
Le fonctionnement de tout aspirateur utilitaire peut entraîner le soufflage d'objets étrangers dans les yeux, ce qui peut entraîner de graves lésions oculaires. Portez toujours des lunettes de sécurité conformes à la norme ANSI Z87.1 (ou au Canada, CSA Z94.3) avant de commencer le fonctionnement.

⚠ MISE EN GARDE

Pour réduire le risque de dommages auditifs, portez des protecteurs auditifs lorsque vous utilisez l'aspirateur pendant de longues heures ou lorsque vous l'utilisez dans une zone bruyante.

ASPIRADO EN SECO

1. Le filtre doit toujours être dans la bonne position pour réduire le risque de fuites et d'éventuels dommages à l'aspirateur. Assurez-vous que le filtre recouvre complètement la cage du filtre. Assurez-vous qu'il n'y a pas d'espace entre le filtre et le capuchon (**Figure 4-6**). Il est très important d'assembler le filtre à la cage sans aucune fuite ou déchirure possible. Toute fuite permettra aux débris ramassés d'être soufflés hors de l'orifice du ventilateur et à l'arrière dans le milieu environnant.
2. Lorsque vous utilisez l'aspirateur pour ramasser de la poussière fine, il est nécessaire de vider le réservoir à poussière et de nettoyer ou de remplacer le filtre à des intervalles plus fréquents pour maintenir une performance d'aspiration optimale.

**⚠ MISE EN GARDE**

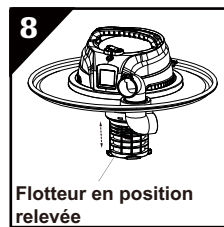
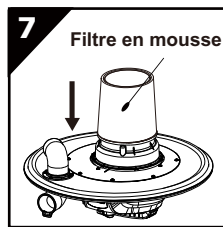
Un filtre sec est nécessaire pour aspirer des matières sèches. Si vous utilisez votre aspirateur pour ramasser de la poussière alors que le filtre est mouillé, le filtre s'obstruera rapidement et sera très difficile à nettoyer. Si le filtre devient mouillé pendant l'utilisation de l'aspirateur, remplacez-le avant de continuer à ramasser des matières sèches.

MODE D'EMPLOI (SUITE)

RAMASSAGE HUMIDE

Ce nettoyeur nécessite une conversion minimale lors du passage du ramassage sec au ramassage humide. Un filtre à cartouche propre peut être utilisé pour aspirer petites quantités de liquide. Pour de meilleurs résultats lors de l'aspiration de grandes quantités de liquide, retirez le filtre à cartouche et tout ou des filtres à poussière réutilisables. Installez le filtre en mousse (**Figure 7**). L'installation du filtre en mousse aidera à protéger le moteur et à minimiser la possibilité de formation de buée dans l'air évacué ou de gouttes de liquide autour du couvercle.

1. Cet aspirateur sec/humide est équipé d'un mécanisme à flotteur qui s'élèvera automatiquement lorsque le liquide pénètre dans le réservoir. Lorsque le liquide dans le réservoir atteint un niveau prédéterminé, le mécanisme à flotteur coupera le flux d'air (**Figure 8**). Vous saurez quand le flotteur mécanisme a coupé le flux d'air parce que l'aspiration cesse et le moteur fait un bruit plus aigu en raison de l'augmentation vitesse du moteur. La capacité de liquide du réservoir peut varier avec le taux de prélèvement de liquide.
2. Lorsque cela se produit, éteignez l'aspirateur. Reportez-vous à « VIDAGE DU RÉSERVOIR » pour retirer le liquide du réservoir.
3. Après avoir terminé un travail de ramassage humide, soulevez le tuyau d'aspiration pour drainer tout excès de liquide restant dans le réservoir avant de vider le réservoir une dernière fois.



CAUTION *LES ACCESSOIRES DE RAMASSAGE MOUILLÉS DOIVENT ÊTRE LAVÉS PÉRIODIQUEMENT, SURTOUT APRÈS AVOIR RAMASSÉ DES ACCIDENTS DE CUISINE MOUILLÉS ET COLLANTS. CELA PEUT ÊTRE RÉALISÉ AVEC UNE SOLUTION CHAUDE DE SAVON ET D'EAU.*

VIDAGE DU RÉSERVOIR

Soyez particulièrement prudent lorsque vous videz des fûts fortement chargés. Si votre baril de 55 gallons est équipé d'un drain de réservoir, utilisez-le pour vider le réservoir. Si ce n'est pas le cas, le baril de 55 gallons peut être vidé des déchets liquides en retirant le couvercle du baril. Pour vider le tambour, commencez par éteindre l'interrupteur d'alimentation de l'appareil et débranchez la fiche de la prise électrique. Dévissez les trois loquets fixant le couvercle au tambour. Retirez le couvercle du tambour et le bloc moteur et placez-les sur le côté. Vous pouvez maintenant vider le réservoir en toute sécurité.

SOUFFLAGE

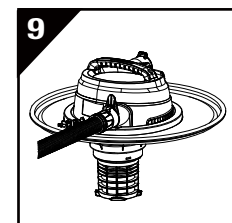
AVERTISSEMENT *Portez toujours des lunettes de sécurité conformes à la norme ANSI Z87.1 (ou au Canada CSA Z94.3) lors de l'utilisation comme soufflante. Pour éviter de blesser les spectateurs, gardez-les à l'écart des débris projetés.*

MISE EN GARDE *Portez un masque anti-poussière si le souffle crée de la poussière qui pourrait être inhalée.*

Pour réduire le risque de dommages auditifs, portez une protection auditive lorsque vous utilisez l'aspirateur / souffleur pendant de longues heures ou dans un espace confiné.

Votre aspirateur est doté d'une fonction de soufflage. Il a la capacité de souffler la sciure de bois et d'autres débris. L'aspirateur peut être utilisé pour souffler lapoussière et les débris à l'extérieur des garages, des terrasses ou des entrées. Suivez les étapes ci-dessous pour utiliser la fonction de soufflage de votre aspirateur (**Figure 9**).

1. Localiser le port du ventilateur sur l'aspirateur.
2. Insérez une extrémité du tuyau de 12 pi x 17/8 po / 3,6 m x 4,8 cm dans l'orifice du ventilateur.
3. Mettez l'aspirateur sur "ON".



GUIDE DE DÉPANNAGE

Symptôme	Cause(s) probable(s)	Mesure corrective
L'aspirateur ne fonctionnera pas	<ol style="list-style-type: none"> 1. Pas de courant à la prise électrique 2. Mauvaise connexion à la prise électrique 3. Interrupteur d'alimentation défectueux 4. Moteur défectueux 5. Cordon d'alimentation défectueux 	<ol style="list-style-type: none"> 1. Vérifiez l'alimentation à la prise électrique 2. Vérifiez la connexion du cordon d'alimentation à la prise électrique 3. Remplacez l'interrupteur d'alimentation 4. Remplacer le moteur 5. Remplacer le vide
L'aspiration est réduite lors du ramassage des matières liquides	<ol style="list-style-type: none"> 1. Le réservoir est plein 2. Le tuyau est obstrué 3. Le filtre est obstrué 	<ol style="list-style-type: none"> 1. Vider et nettoyer le réservoir 2. Retirer le tuyau et enlevez les débris 3. Nettoyez ou remplacez le filtre
L'aspiration est réduite lors du ramassage des matières sèches	<ol style="list-style-type: none"> 1. Le réservoir est plein 2. Le tuyau est obstrué 3. Le filtre est obstrué 	<ol style="list-style-type: none"> 1. Vider et nettoyer le réservoir 2. Retirer le tuyau et enlevez les débris 3. Nettoyez ou remplacez le filtre

ENTRETIEN/RÉPARATION

REPLACEMENT DU FILTRE



AVERTISSEMENT Pour réduire les risques de blessures causées par une mise en marche accidentelle, débranchez le cordon d'alimentation avant de changer ou de nettoyer le filtre. Pour assurer le rendement optimal de l'aspirateur, nettoyez le filtre fréquemment. Ne retirez pas la cage du filtre ni le flotteur. Le flotteur empêche l'eau de pénétrer dans la turbine, ce qui endommagerait le moteur. La cage permet d'éviter que vos doigts entrent en contact avec la turbine en mouvement.



MISE EN GARDE Afin d'éviter d'endommager la roue de soufflage et le moteur, installez toujours le filtre réutilisable avant d'utiliser l'aspirateur pour ramasser des matières sèches et le filtre en mousse pour ramasser des matières liquides. Après avoir passé l'aspirateur, vérifiez si le filtre a des fissures ou de petits trous. N'utilisez pas un filtre qui comporte des trous ou des fissures. Même un petit trou peut laisser sortir beaucoup de poussière hors de votre aspirateur. Remplacez immédiatement le filtre. Si le filtre est propre et non endommagé, remplacez-le sur la cage du filtre. S'il ne peut pas être réutilisé, placez un nouveau filtre sur la cage du filtre. Nettoyez le filtre dans un endroit ouvert. Le nettoyage doit se faire à l'extérieur et non pas dans un logement.

NETTOYAGE

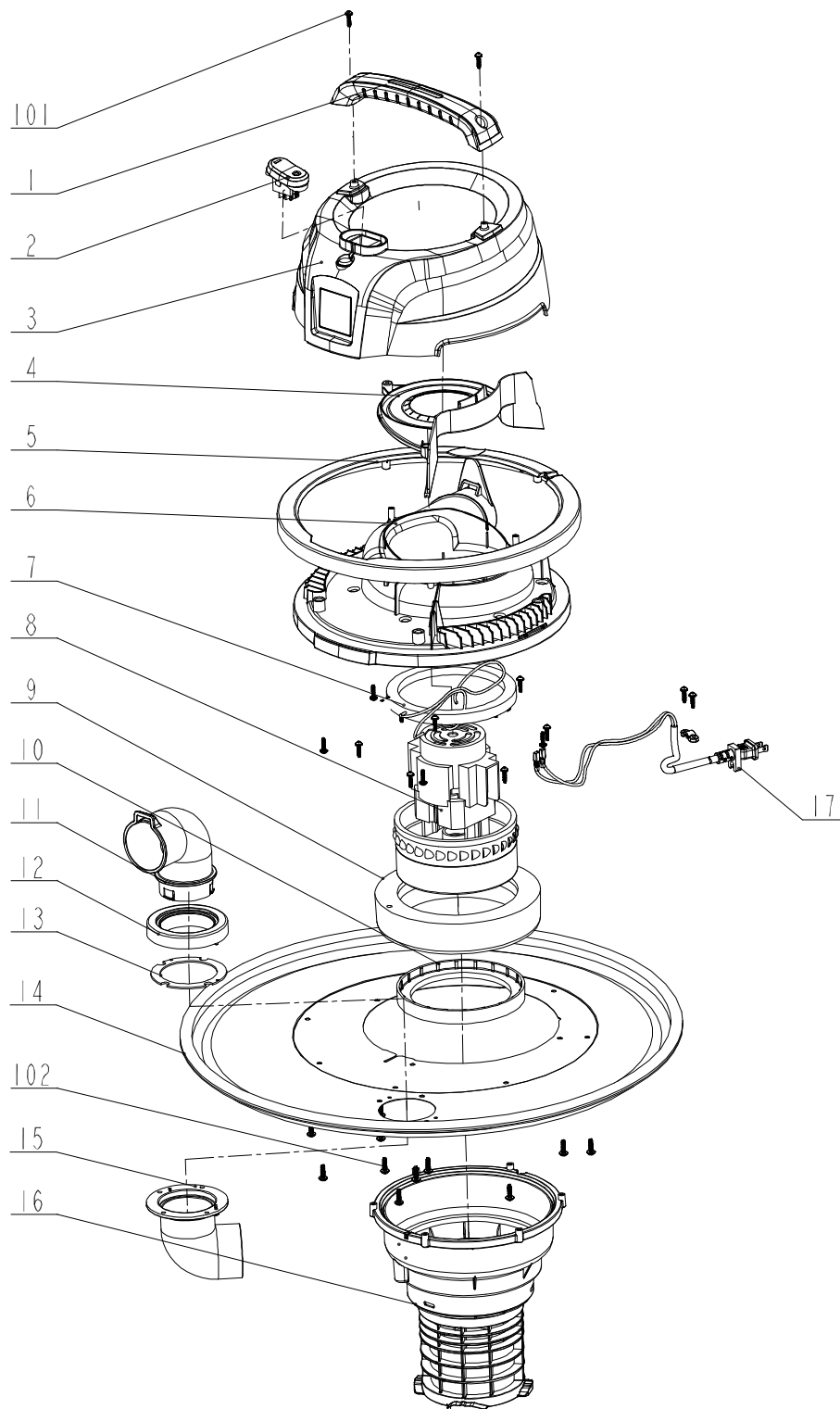
Pour garder votre aspirateur eau et poussière en bon état, nettoyez l'extérieur avec un linge imbibé d'eau tiède et un savon doux. Pour nettoyer le réservoir :

1. Videz les débris.
2. Lavez soigneusement le réservoir avec de l'eau tiède et un savon doux.
3. Essuyez avec un linge propre.

RANGEMENT

Avant de ranger votre aspirateur, vous devez vider et nettoyer le réservoir à poussière. Le cordon doit être enroulé et suspendu à l'appareil, cet effet afin qu'ils soient facilement accessibles. L'aspirateur doit être rangé à l'intérieur.

ILLUSTRATION DES PIÈCES DE RECHANGE POUR 61HV93



Pour les pièces de réparation, composez le 1-800 Grainger

24 heures par jour - 365 jours par année

Veillez fournir les renseignements suivants :

- Numéro de modèle
- Numéro de série (le cas échéant)
- Les description et numéro de pièce comme indiqués dans la liste de pièces

LISTE DES PIÈCES DE RECHANGE POUR 61HV93

N° de réf.	Description	61HV93	Quantité.
1	Poignée adhérence	F6400200401	1
2	Interrupteur	D3002000155	1
3	Couvercle supérieur	Q0281012001	1
4	Défecteur thermique	Q0281232001	1
5	Plaque de pression du couvercle inférieur	Q799AA12001	1
6	Couvercle inférieur	F5013701224	1
7	Bague d'étanchéité du capot d'air	X0400820117	1
8	Moteur	22550049	1
9	Éponge de silencieux	G0406190082	1
10	Anneau d'étanchéité du moteur	X0400820116	1
11	Siège d'aspiration	Q799AA22001	1
12	Plaque de pression du siège d'aspiration	Q799AA32001	1
13	Joint	X7997080351	1
14	Couvercle inférieur en métal	JAA45430775	1
15	Coude de prise d'aspiration	Q7997852001	1
16	Cage de filtre	61HV93-1	1
17	Cordon d'alimentation	D1013037284	1
101	Vis autotaraudeuses ST3.9 x16F	J0817230001	18
102	Vis autotaraudeuses ST4.8 x16F	J0787070033	14

N'essayez pas de réparer davantage cet aspirateur Dayton que ce qui est décrit dans le mode d'emploi et dans le manuel de pièces.

GARANTIE LIMITÉE D'UN AN DE DAYTON

GARANTIE LIMITÉE D'UN AN DE DAYTON. Tous les modèles de produits Dayton^{MD} dont il est question dans ce manuel sont garantis par Dayton Electric Mfg Co. (« Dayton ») contre les défauts de fabrication ou de matériaux dans le cadre d'un usage normal pendant une année après la date d'achat. Si le produit Dayton fait partie d'un ensemble, seule la partie qui est défectueuse est soumise à cette garantie. Toute pièce ou tout produit jugé comme présentant des vices de matériaux ou de fabrication et qui est retourné à un centre de réparation autorisé désigné par Dayton, en port prépayés, sera, comme recours exclusif, réparé ou remplacé par un produit neuf ou remis à neuf, ou un remboursement partiel ou complet sera effectué, au choix de Dayton ou de son délégué, et ce, sans frais. Pour les procédures de réclamation de la garantie limitées, consultez la section « Service de garantie » ci-dessous. Cette garantie est nulle s'il existe des preuves d'une mauvaise utilisation, d'une mauvaise réparation, d'une mauvaise installation, d'abus ou d'altération. Cette garantie ne couvre pas l'usure normale des produits Dayton ou d'une partie de ceux-ci. La présente garantie limitée vous donne des droits spécifiques. Il se pourrait que vous ayez d'autres droits qui varient d'une province à l'autre.

EXCLUSIONS DE GARANTIES ET LIMITATIONS DE RESPONSABILITÉ POUR TOUS LES CLIENTS ET RELATIVEMENT À TOUS LES PRODUITS

LIMITATION DE RESPONSABILITÉ. DANS LA MESURE AUTORISÉE PAR LA LOI APPLICABLE, LA RESPONSABILITÉ DE DAYTON POUR LES DOMMAGES DIRECTS OU INDIRECTS, EST EXPRESSÉMENT REJETÉE. LA RESPONSABILITÉ DE DAYTON DANS TOUS LES CAS SE LIMITE AU PRIX D'ACHAT ET NE DOIT PAS LE DÉPASSER.

EXCLUSION DE GARANTIE. DES EFFORTS ASSIDUS ONT ÉTÉ CONSENTIS POUR FOURNIR DES RENSEIGNEMENTS SUR LES PRODUITS ET POUR ILLUSTRER ADÉQUATEMENT LES PRODUITS DANS CETTE BROCHURE; TOUTEFOIS, CES RENSEIGNEMENTS ET ILLUSTRATIONS SONT FOURNIS À FIN D'IDENTIFICATION ET NE GARANTISSENT PAS, EXPLICITEMENT OU IMPLICITEMENT, QUE LES PRODUITS SONT COMMERCIALISABLES, CONVIENNENT À UN USAGE PARTICULIER OU QUE LES PRODUITS SONT NÉCESSAIREMENT CONFORMES AUX ILLUSTRATIONS ET DESCRIPTIONS. SAUF INDICATION CONTRAIRE CI-DESSOUS, AUCUNE GARANTIE OU DÉCLARATION DE FAIT, EXPLICITE OU IMPLICITE, AUTRE QUE COMME INDIQUÉ DANS LA « GARANTIE LIMITÉE » CI-DESSUS N'EST EFFECTUÉE OU AUTORISÉE PAR DAYTON.

ADÉQUATION DU PRODUIT. DE NOMBREUSES JURIDICTIONS DISPOSENT DE CODES ET DE RÈGLEMENTS CONCERNANT LA VENTE, LA CONSTRUCTION, L'INSTALLATION, OU L'UTILISATION DE PRODUITS POUR CERTAINS USAGES QUI PEUVENT DIFFÉRER DE CEUX DES RÉGIONS VOISINES. BIEN QUE TENTATIVES SONT EFFECTUÉES POUR S'ASSURER QUE LES PRODUITS DAYTON SONT CONFORMES À CES CODES, DAYTON NE PEUT EN GARANTIR LA CONFORMITÉ ET NE PEUT ÊTRE TENUE RESPONSABLE DE LA FAÇON DONT LE PRODUIT EST INSTALLÉ OU UTILISÉ. AVANT D'ACHETER OU D'UTILISER UN PRODUIT, EXAMINER LES SPÉCIFICATIONS ET TOUS LES CODES NATIONAUX ET LOCAUX ET LES RÈGLEMENTS APPLICABLES, S'ASSURER QUE LE PRODUIT, L'INSTALLATION ET SON UTILISATION S'Y CONFORMENT.

CONSOMMATEURS UNIQUEMENT. CERTAINS ASPECTS DE DÉSISTEMENT NE SONT PAS APPLICABLES AUX PRODUITS DE CONSOMMATION VENDUS AUX CONSOMMATEURS; (A) CERTAINES JURIDICTIONS NE PERMETTENT PAS L'EXCLUSION OU LA LIMITATION DES DOMMAGES DIRECTS OU INDIRECTS, LA LIMITATION OU L'EXCLUSION CI-DESSUS PEUVENT NE PAS S'APPLIQUER À VOUS; (B) EN OUTRE, CERTAINES JURIDICTIONS INTERDISENT LA LIMITATION DE LA DURÉE D'UNE GARANTIE IMPLICITE, LA LIMITATION CI-DESSUS PEUT DONC NE PAS S'APPLIQUER À VOUS, ET (C) SELON LA LOI, AU COURS DE CETTE PÉRIODE DE GARANTIE LIMITÉE, TOUTE GARANTIE IMPLICITE DE QUALITÉ MARCHANDE OU D'ADÉQUATION À UN USAGE PARTICULIER APPLICABLE AUX PRODUITS DE CONSOMMATION ACHETÉS PAR LES CONSOMMATEURS, NE PEUT ÊTRE EXCLUE NI AUTREMENT DÉSISTÉE.

CETTE GARANTIE LIMITÉE S'APPLIQUE UNIQUEMENT AUX ACHETEURS AMÉRICAINS POUR UNE LIVRAISON AUX ÉTATS-UNIS.

SERVICE DE GARANTIE

Pour se prévaloir du service de garantie si vous avez acheté le produit visé directement de W.W. Grainger, Inc. (« Grainger »), (i) écrire ou téléphoner à Grainger ou visiter la succursale locale chez laquelle le produit a été acheté ou une autre succursale Grainger près de chez vous (consulter le www.grainger.com pour y trouver une liste des succursales Grainger); ou (ii) communiquer avec Grainger en allant au www.grainger.com et en cliquant sur le lien « Communiquer avec nous », dans le haut de la page, puis en cliquant sur le lien « Écrivez-nous », ou (iii) appeler le service à la clientèle (sans frais) au 1-888-361-8649. Pour obtenir un service de garantie si vous avez acheté le produit couvert d'un autre distributeur ou revendeur, (i) aller au www.grainger.com pour y trouver le service de garantie; (ii) écrire ou téléphoner à Grainger ou visiter une succursale Grainger près de chez vous, ou (iii) appeler le service à la clientèle (sans frais) au 1-888-361-8649. Dans tous les cas, vous devrez, dans la mesure du possible, fournir la date d'achat, le numéro de facture originale, le numéro de produit, une description de la défectuosité, et toute autre indication requise dans cette garantie limitée d'un an de Dayton. On pourrait également vous demander d'envoyer le produit à des fins d'inspection, et ce, à vos frais. Vous pouvez suivre l'avancement des inspections et des corrections de la même manière. Le titre de propriété et du risque de perte sont transférés à l'acheteur lors de la livraison par l'entreprise de livraison, donc si le produit a été endommagé pendant le transport, effectuez une réclamation auprès de l'entreprise de livraison, et non auprès du détaillant, de Grainger ou de Dayton. Pour de plus amples renseignements sur la garantie pour les acheteurs ou pour une livraison à l'extérieur des États-Unis, veuillez utiliser les coordonnées ci-dessous :

**Dayton Electric Mfg Co.,
100 Grainger Parkway, Lake Forest, IL 60045 U.S.A.
ou composez le +1-888-361-8649**